



US00D335577S

United States Patent [19]

[11] Patent Number: **Des. 335,577**

Malmanger et al.

[45] Date of Patent: **** May 18, 1993**

[54] **TACKLE STORAGE SYSTEM**

4,958,730 9/1990 Buntan 206/315.11
5,048,447 9/1991 Vicari D12/317 X

[75] Inventors: **John A. Malmanger, Vashon; Steven D. Cedergreen, Seattle; Kim R. Hunter, Kent, all of Wash.**

OTHER PUBLICATIONS

Bass Pro Shops, 1990, p. 127, Classic Drawer Tackle Box.

[73] Assignee: **Tempress Incorporated, Seattle, Wash.**

Primary Examiner—A. Hugo Word
Assistant Examiner—Doris V. Coles
Attorney, Agent, or Firm—Christensen, O'Connor, Johnson & Kindness

[**] Term: **14 Years**

[21] Appl. No.: **642,315**

[57] **CLAIM**

[22] Filed: **Jan. 17, 1991**

The ornamental design for a tackle storage system, as shown and described.

[52] U.S. Cl. **D3/38; D12/317**

[58] Field of Search **D3/33, 36, 38; 206/315.11, 811; D12/317; 43/57.1, 57.2, 57.3, 54.1; 114/255, 364, 343; 312/242; 220/507, 510, 544**

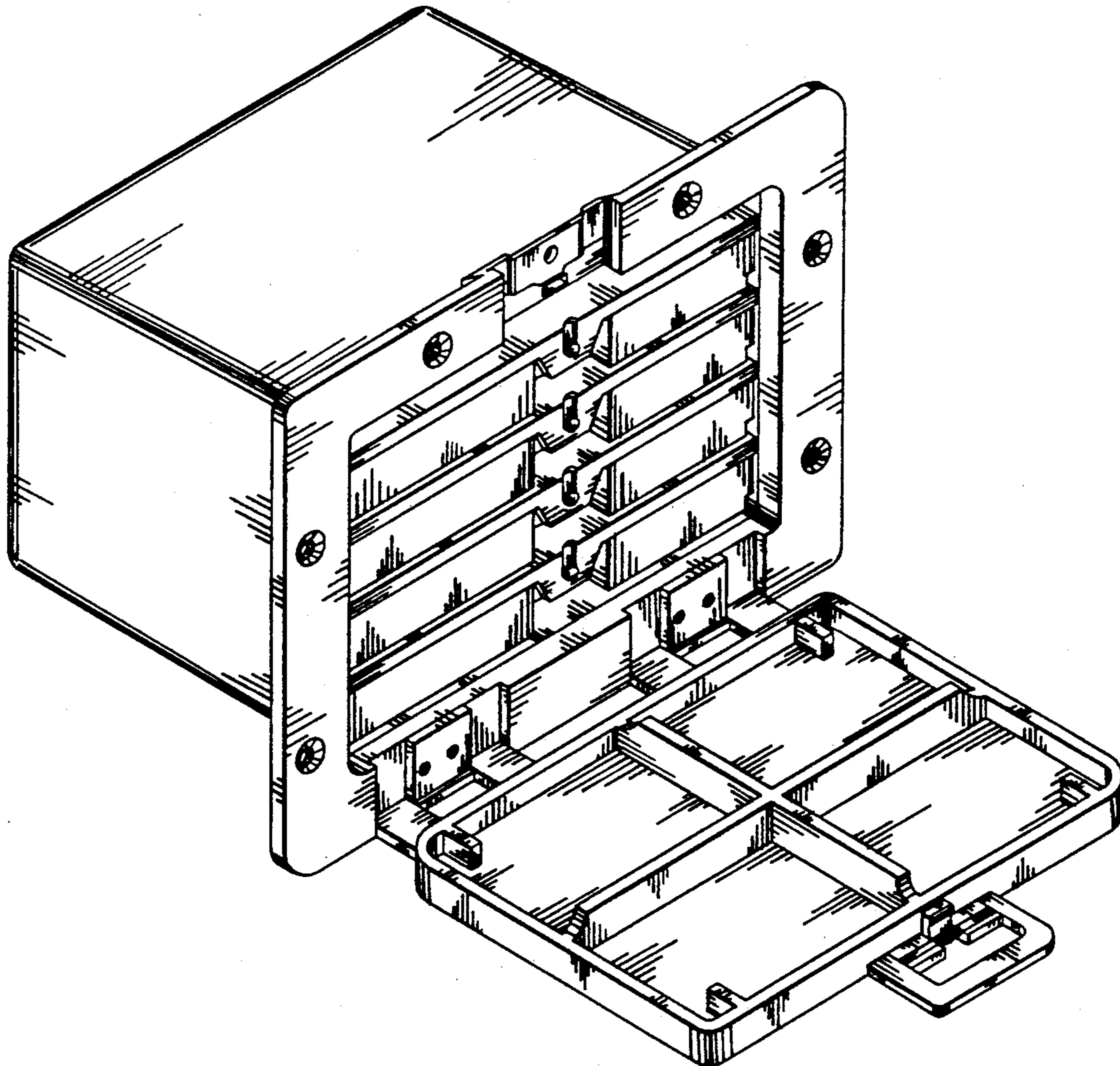
DESCRIPTION

FIG. 1 is a perspective view of an embodiment of a tackle storage system, showing our new design; FIG. 2 is a top plan view thereof; FIG. 3 is a bottom plan view thereof; FIG. 4 is a right-side elevational view, the left side being a mirror image thereof; FIG. 5 is a front elevational view thereof; and, FIG. 6 is a rear elevational view thereof.

[56] **References Cited**

U.S. PATENT DOCUMENTS

D. 308,915 7/1990 Lanius D3/38
D. 318,175 7/1991 Venanzini D3/38
4,208,826 6/1980 Lindaman 206/811 X



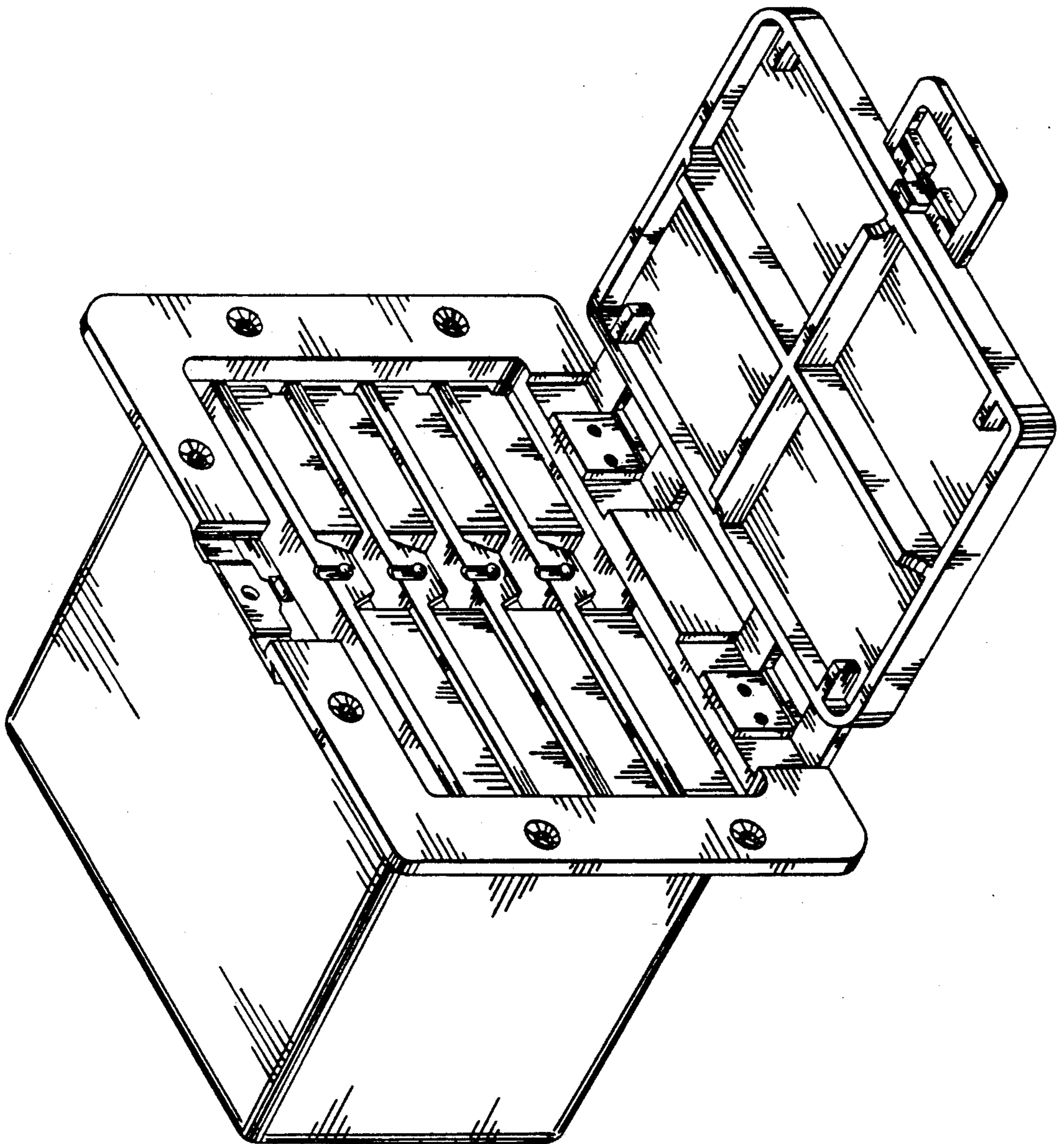


FIG. 1.

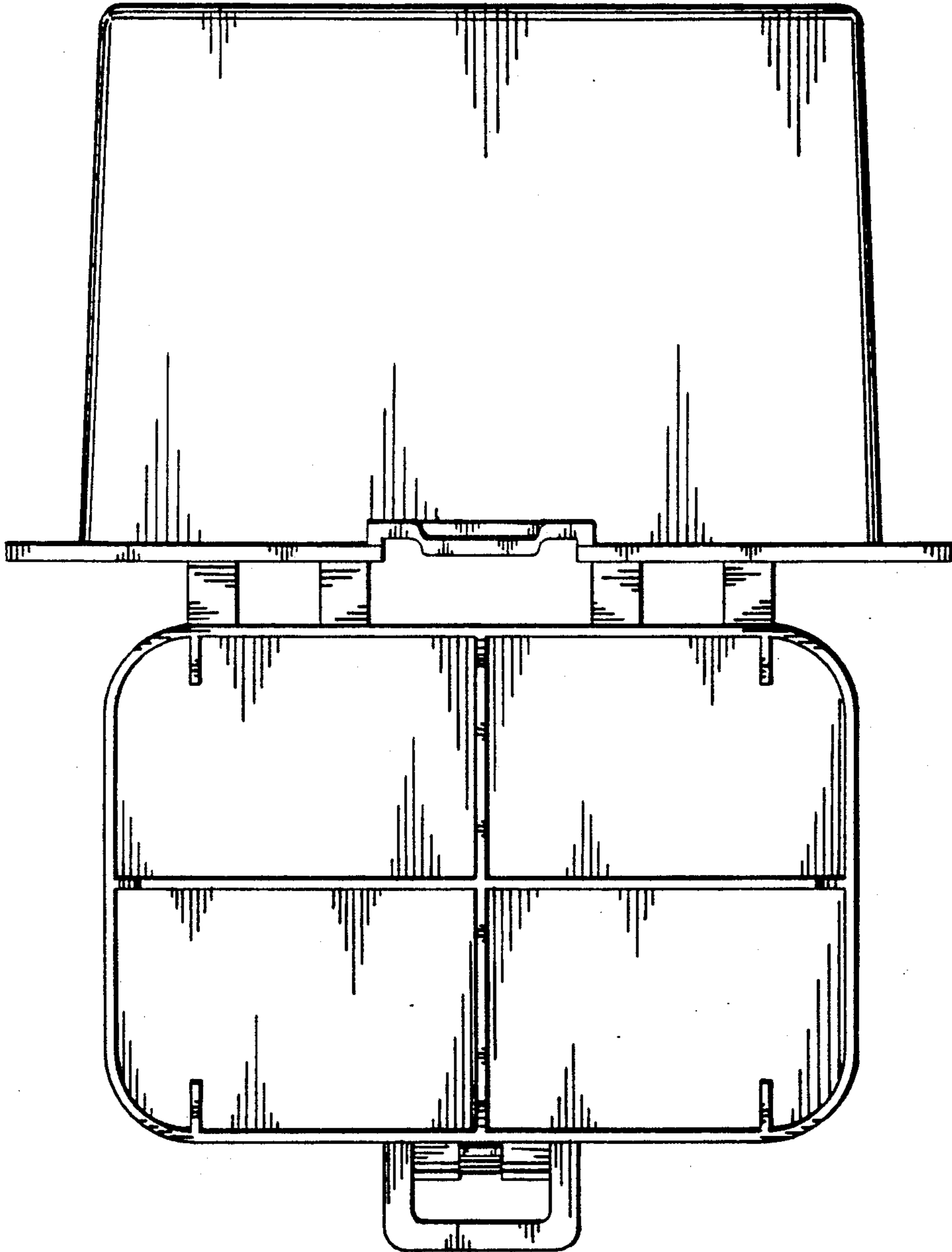


FIG. 2.

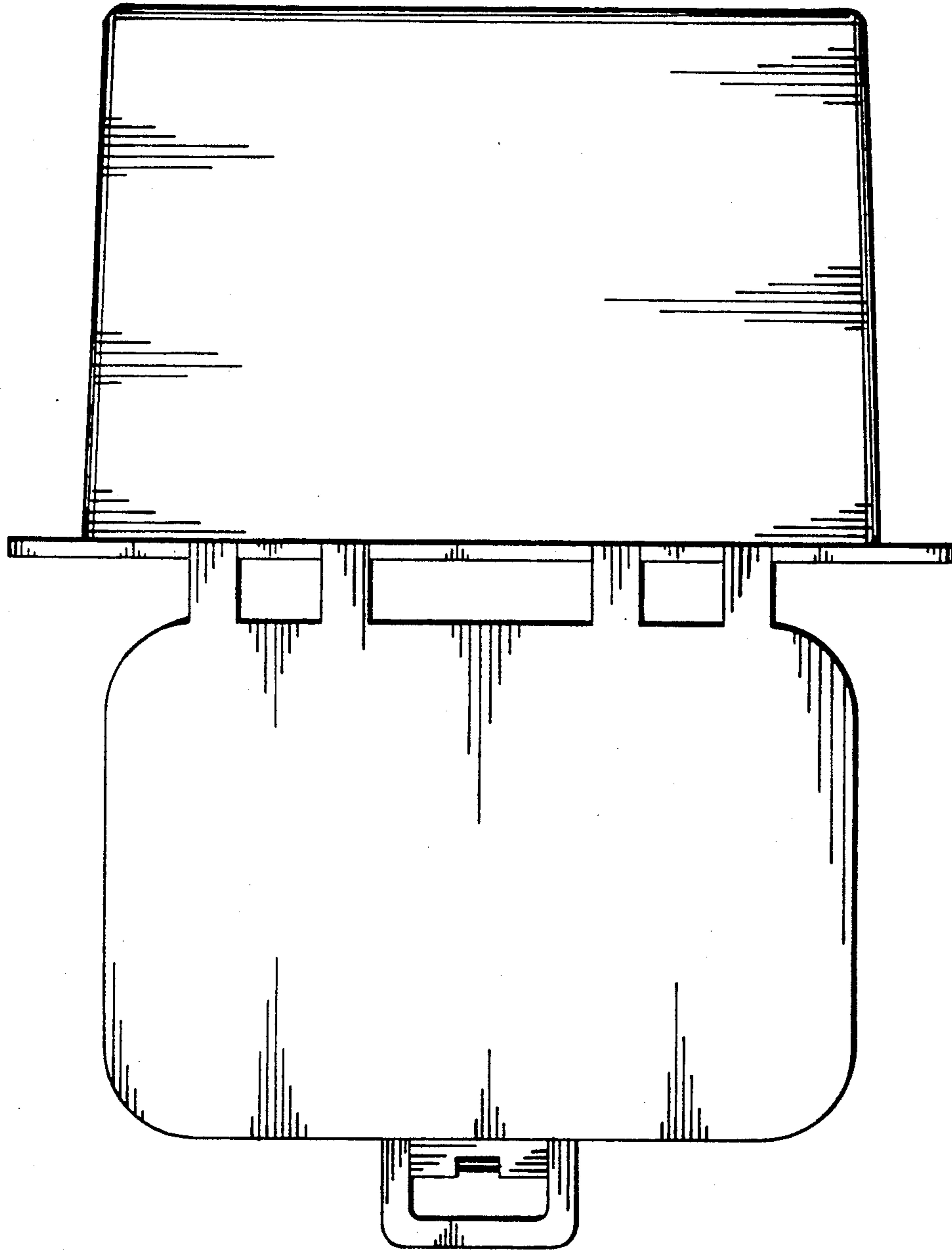


FIG. 3.

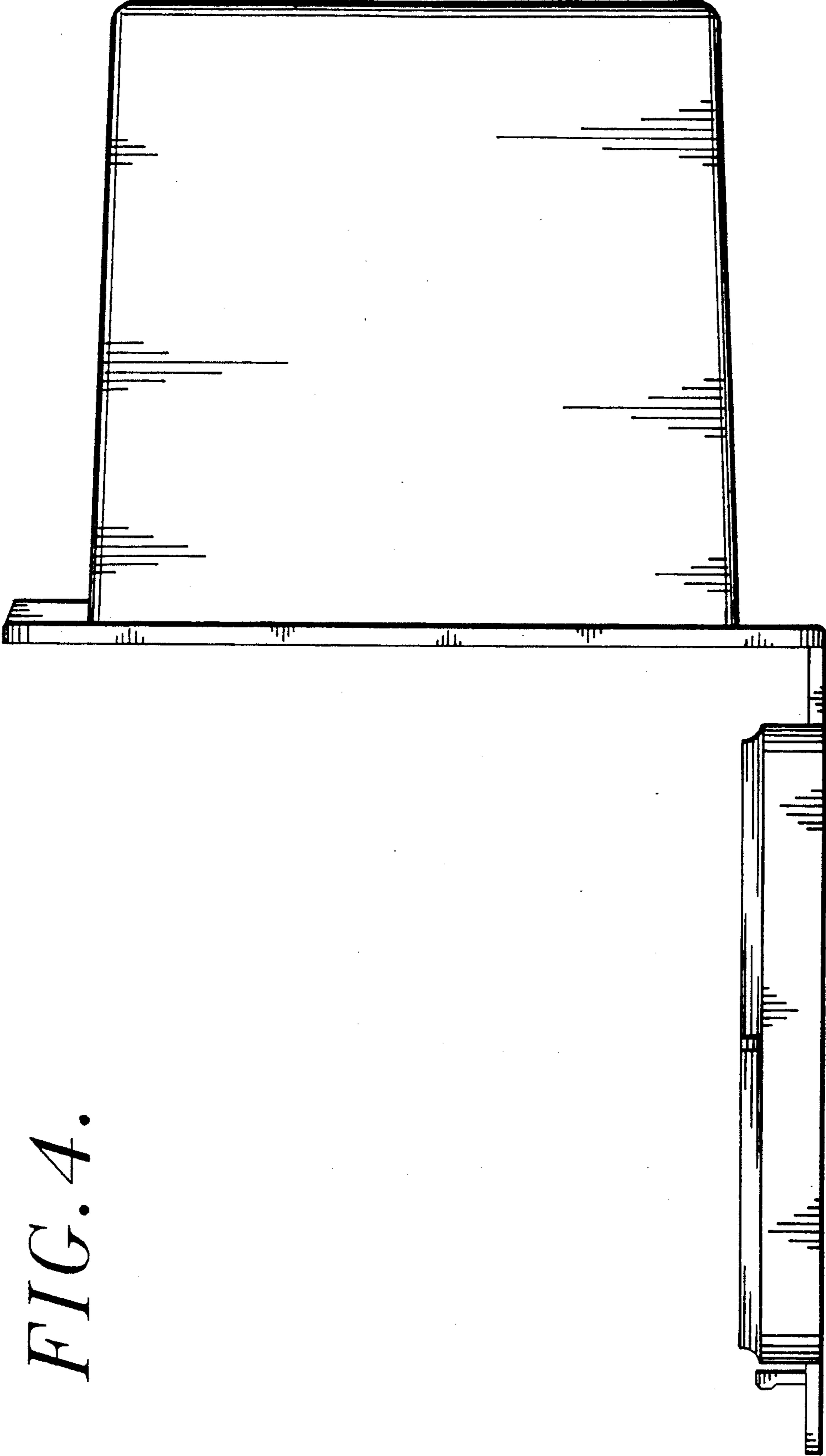


FIG. 4.

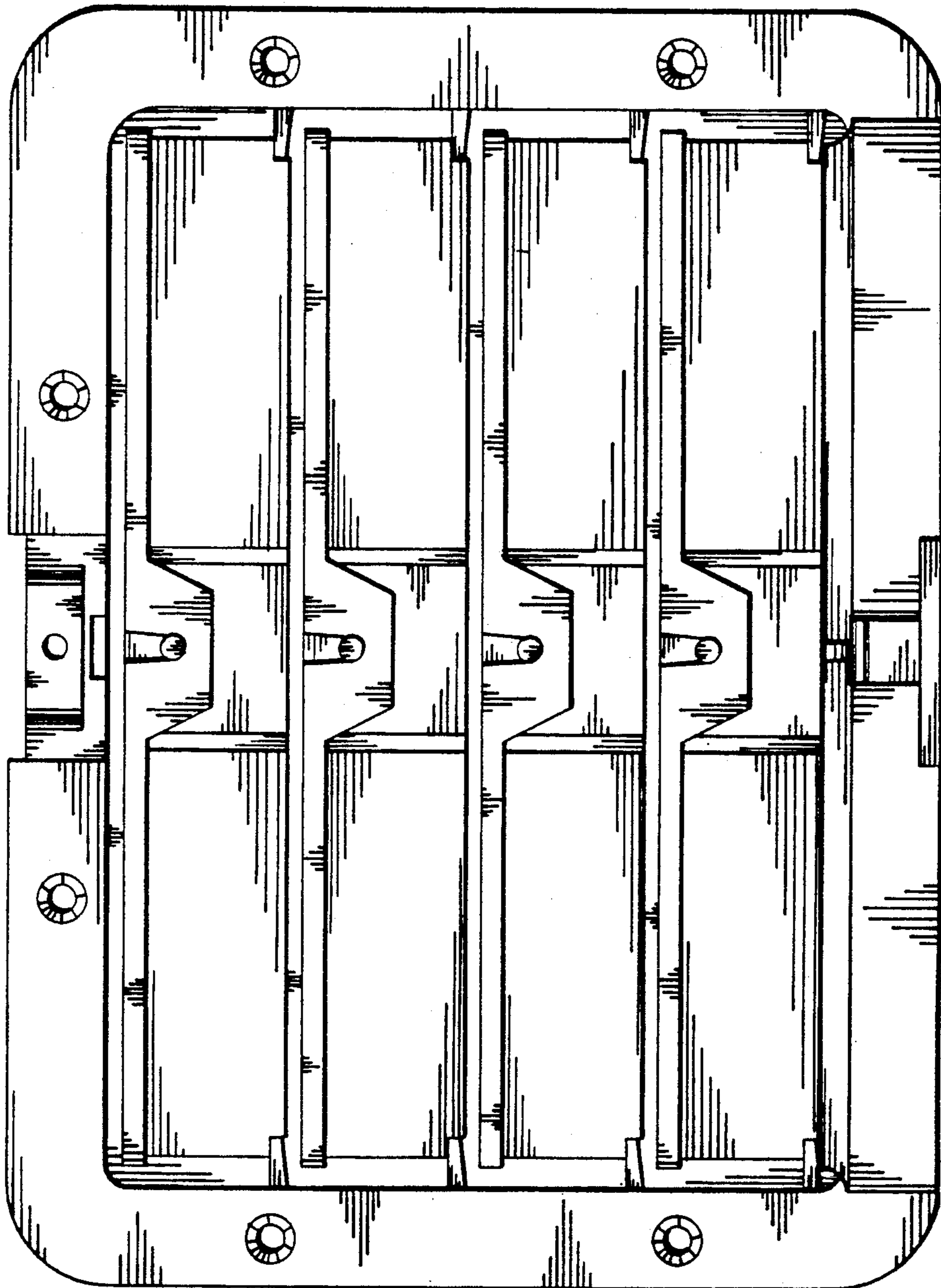


FIG. 5.

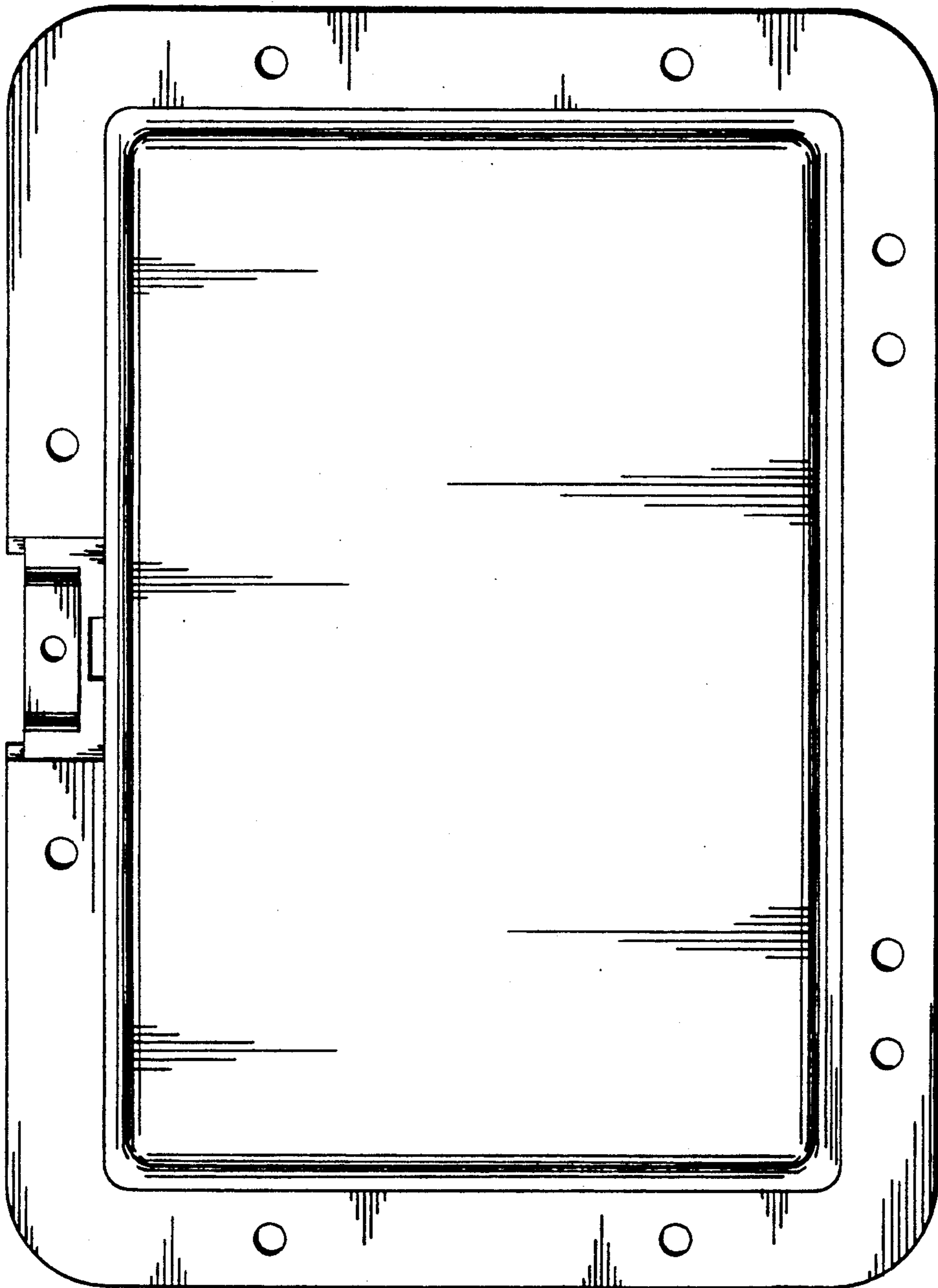


FIG. 6.