



US00D335575S

# United States Patent [19]

Suwa

[11] Patent Number: **Des. 335,575**

[45] Date of Patent: **\*\* May 18, 1993**

[54] **CASE FOR MAGNETIC TAPE CASSETTE**

[75] Inventor: **Miya Suwa, Tokyo, Japan**  
[73] Assignee: **Sony Corporation, Tokyo, Japan**  
[\*\*] Term: **14 Years**  
[21] Appl. No.: **721,212**  
[22] Filed: **Jun. 25, 1991**

[30] **Foreign Application Priority Data**

Dec. 28, 1990 [JP] Japan ..... 2-43960  
[52] U.S. Cl. .... **D3/35; D3/30.1; D19/90; D27/189**  
[58] Field of Search ..... **D3/30.1, 35, 39, 56, D3/59, 60, 71, 74, 79, 100; D19/75, 76, 90, 91; D27/172, 186, 189, 190, 191; 206/349, 387, 444; 360/133**

[56] **References Cited**

**U.S. PATENT DOCUMENTS**

D. 157,483 2/1950 Franklin ..... D27/189  
D. 282,410 2/1986 Ekuan ..... D3/35  
D. 287,546 1/1987 Bernstein ..... D19/76  
D. 304,461 11/1989 Foran et al. .... D19/90

D. 314,085 1/1991 Uemura ..... D3/30.1  
4,973,088 11/1990 Levy ..... 206/387

**FOREIGN PATENT DOCUMENTS**

0271997 6/1988 European Pat. Off. .... 206/444

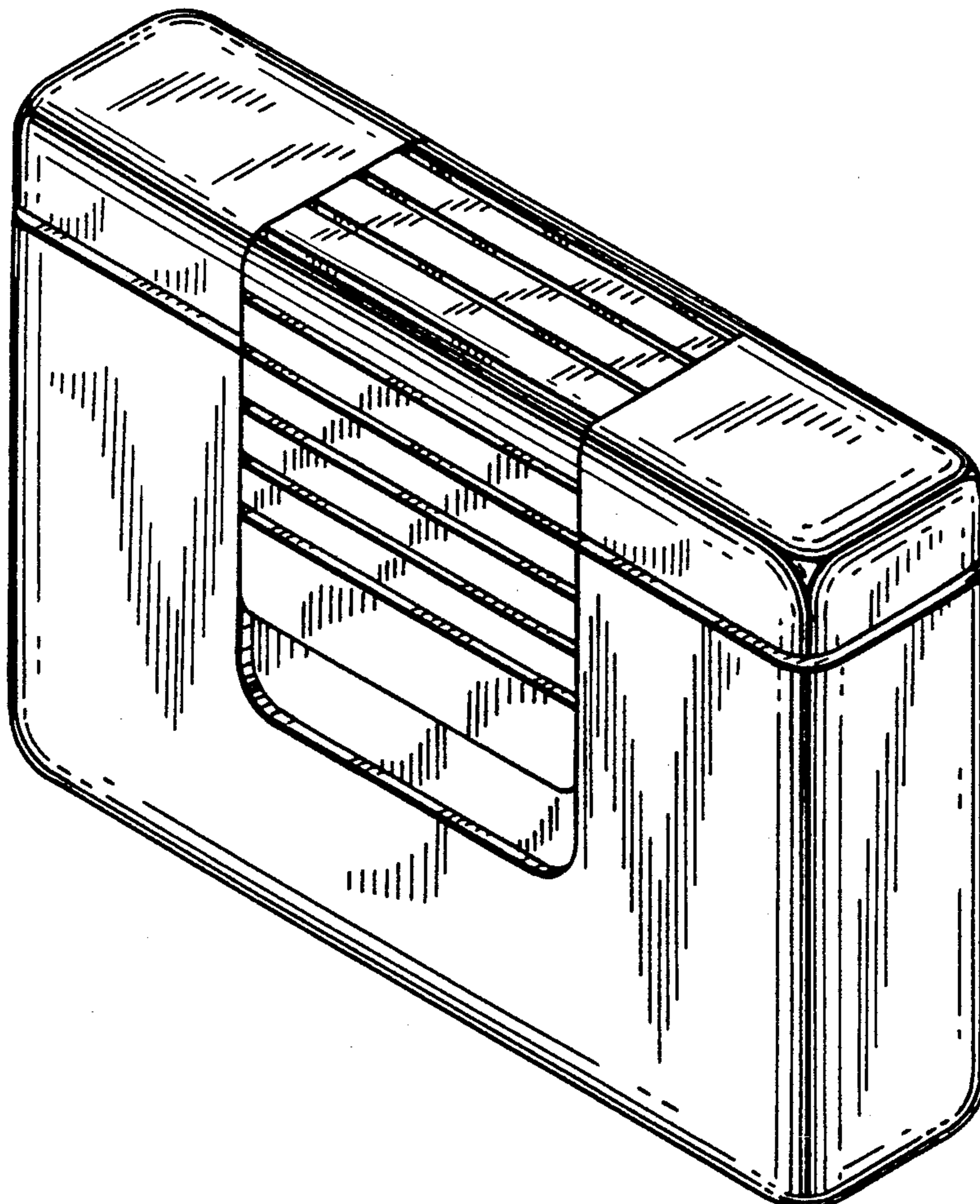
*Primary Examiner*—A. Hugo Word  
*Assistant Examiner*—Celia A. Murphy  
*Attorney, Agent, or Firm*—Lewis H. Eslinger; Jay H. Maioli

[57] **CLAIM**

The ornamental design for a case for a magnetic tape, as shown and described.

**DESCRIPTION**

FIG. 1 is a top plan view of a case for a magnetic tape cassette showing my new design;  
FIG. 2 is a left side elevational view thereof;  
FIG. 3 is a front elevational view thereof;  
FIG. 4 is a right side elevational view thereof;  
FIG. 5 is a rear elevational view thereof;  
FIG. 6 is a bottom plan view thereof;  
FIG. 7 is a perspective view thereof; and,  
FIG. 8 is a perspective view thereof shown in an open position.



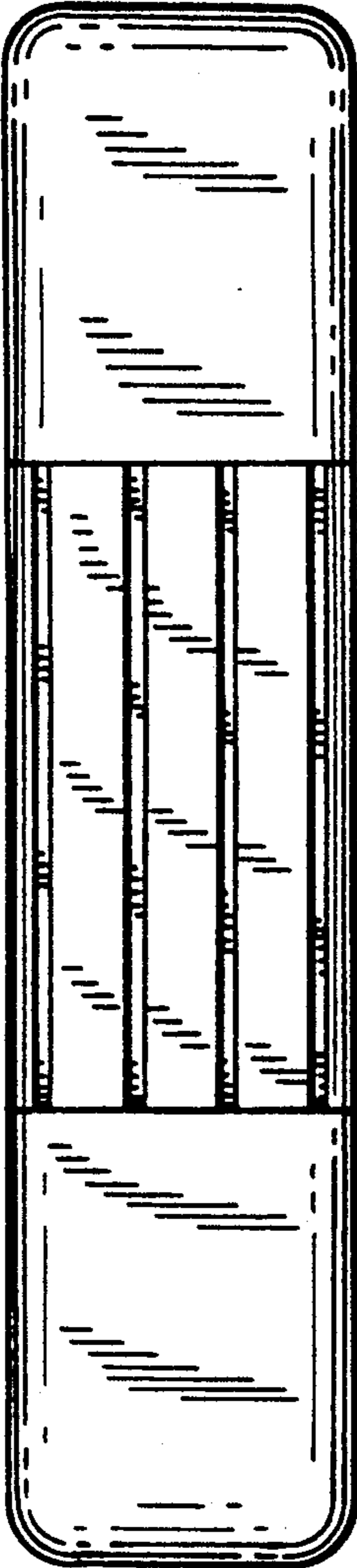


FIG. 1

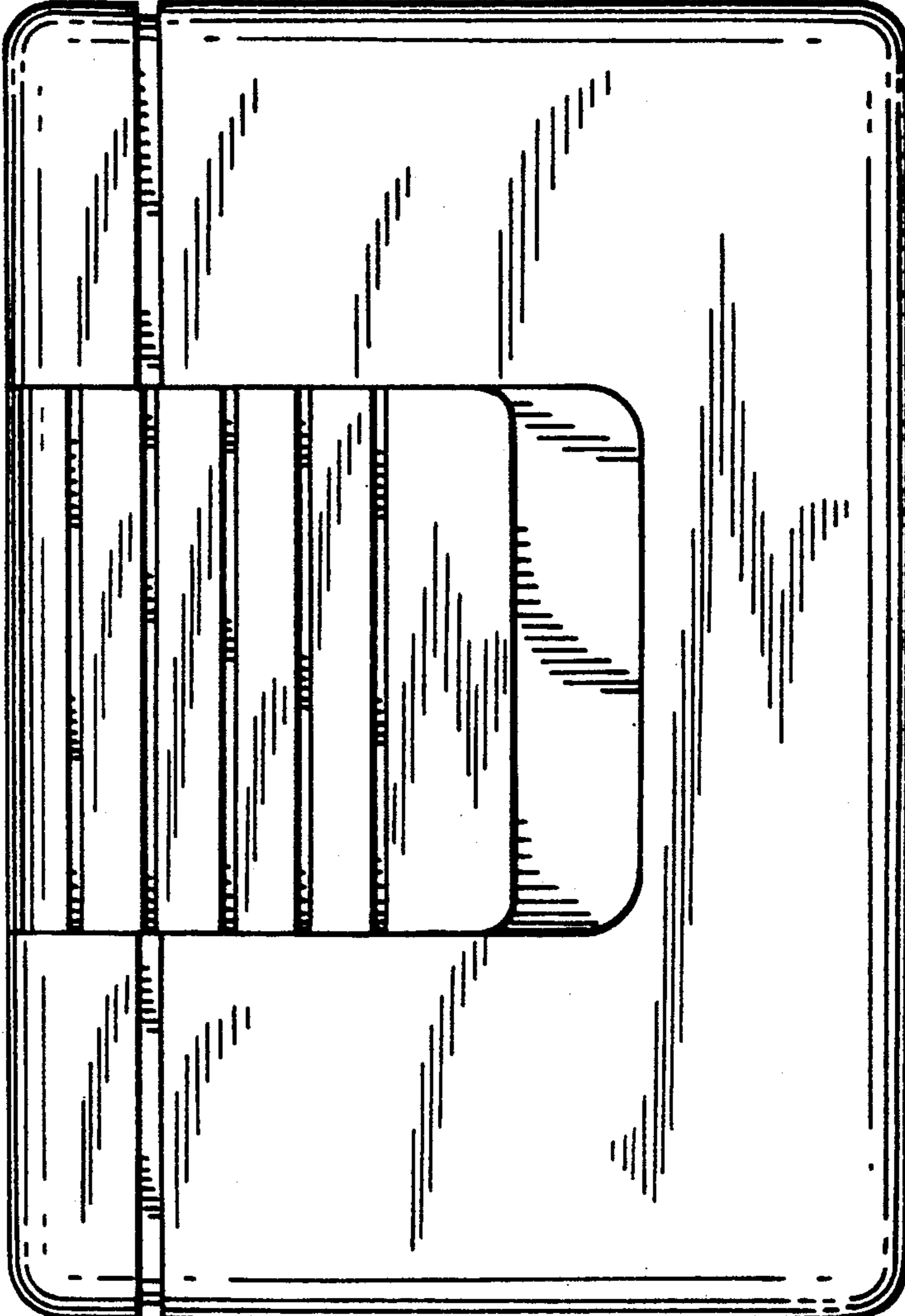


FIG. 3

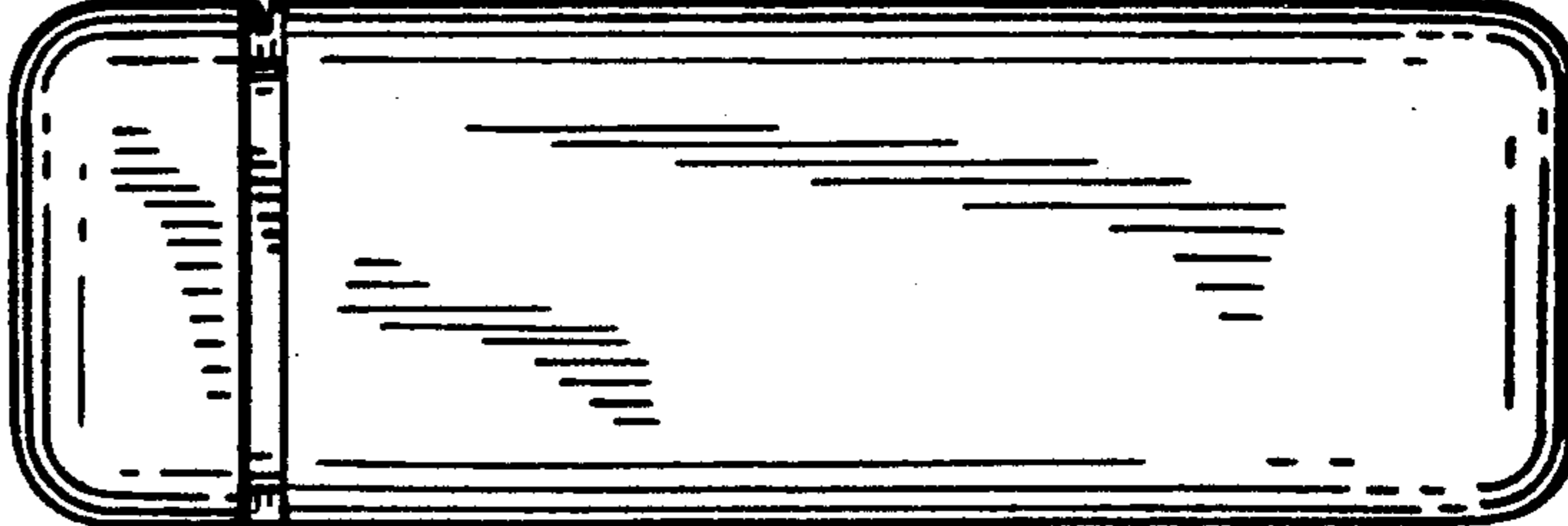


FIG. 2

FIG. 5

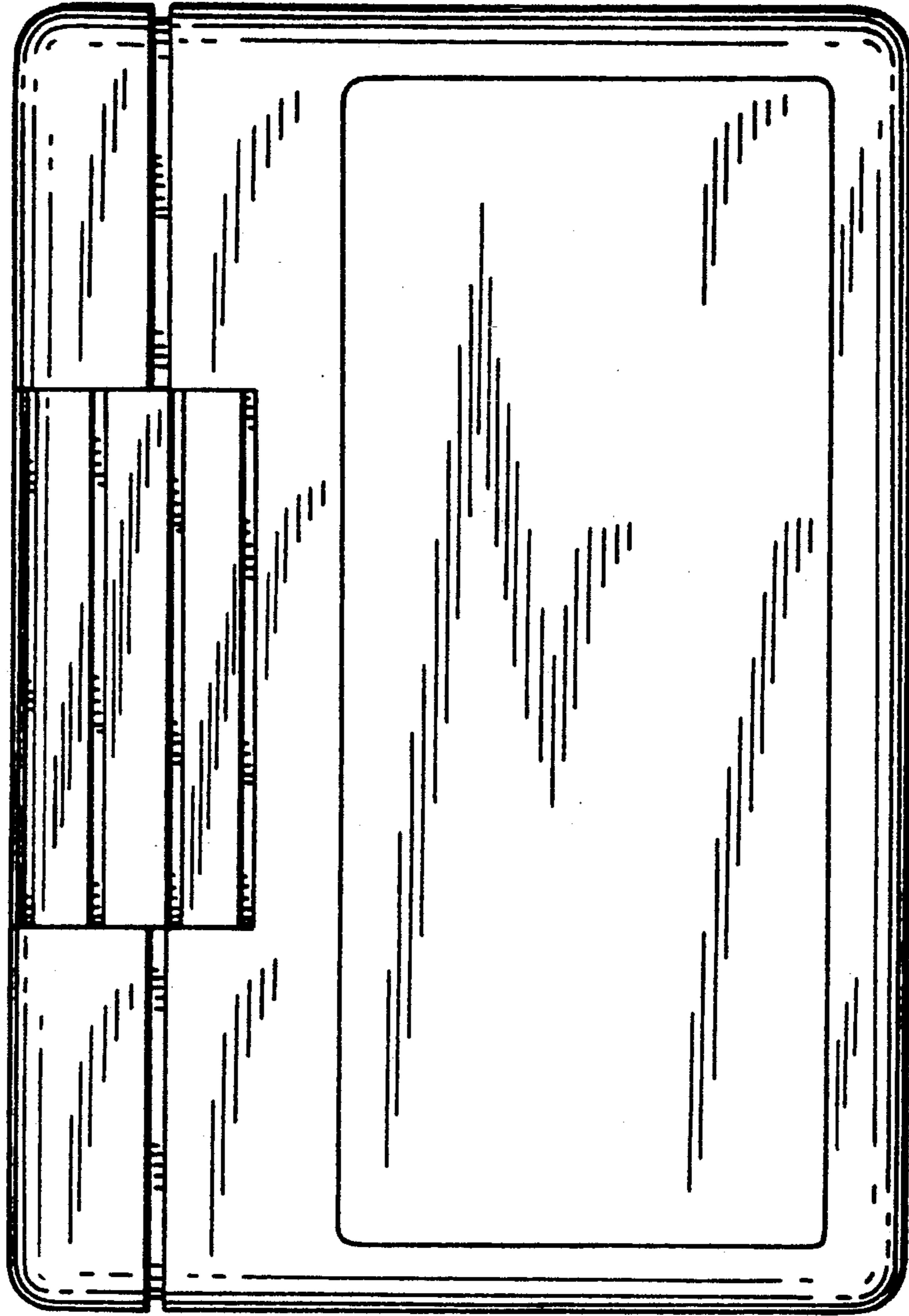
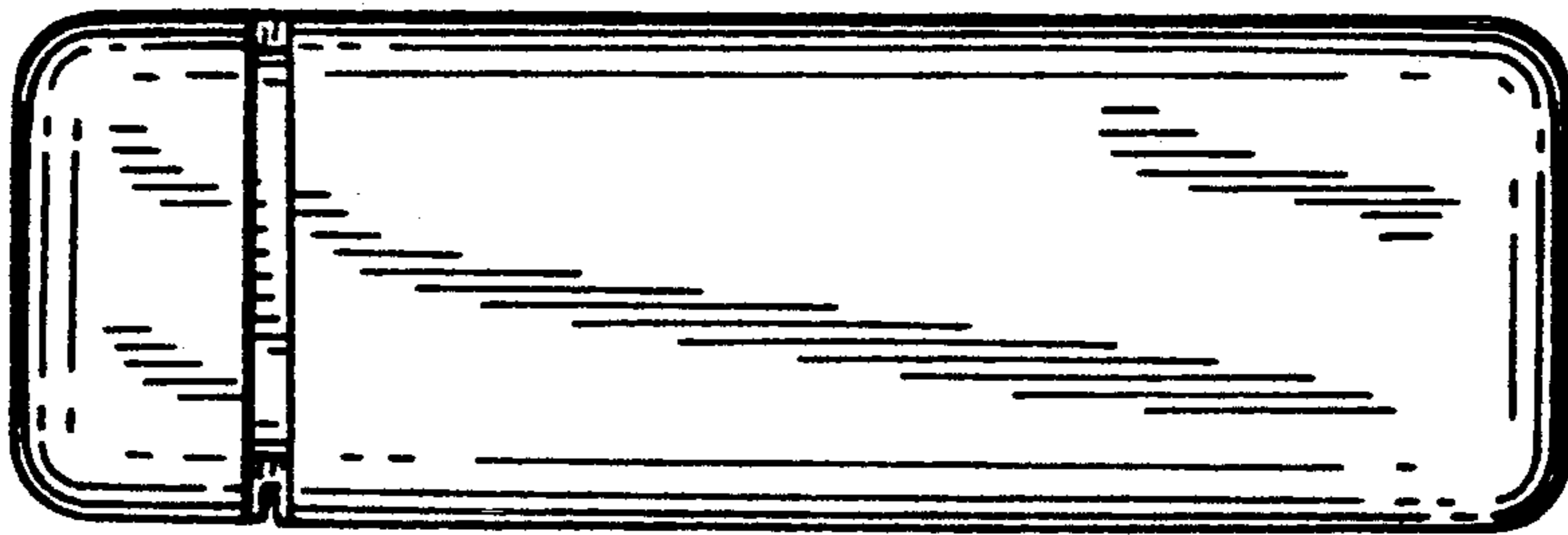
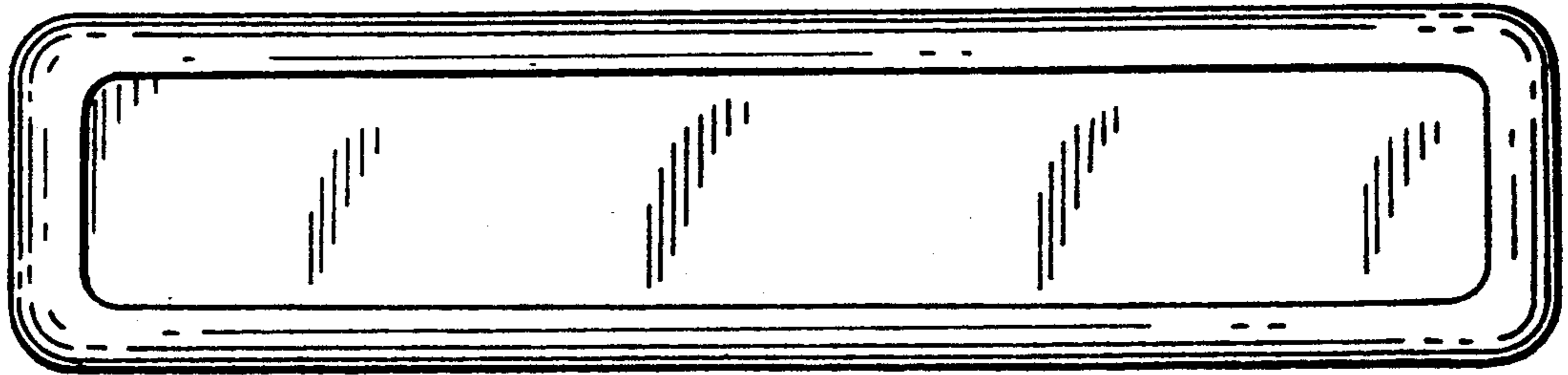


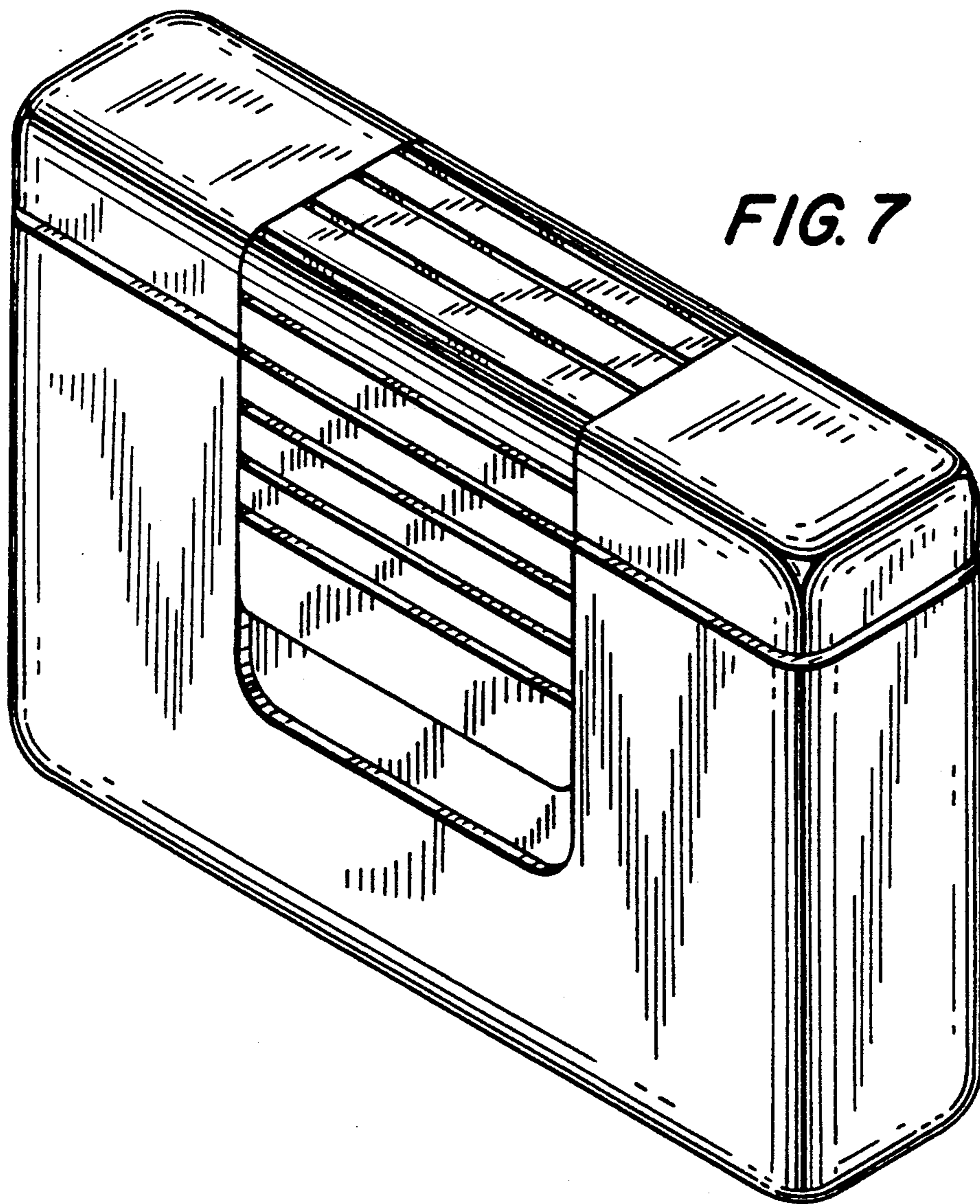
FIG. 4



*FIG. 6*



*FIG. 7*



*FIG. 8*

