



US00D335574S

United States Patent [19]

[11] Patent Number: **Des. 335,574**

Roskvist et al.

[45] Date of Patent: **** May 18, 1993**

[54] **BOX FOR FLEXIBLE DISKS**

[75] Inventors: **Per-Ake Roskvist, Malmö, Sweden;**
Maj-Lis Roskvist, Ermatingen,
Switzerland

[73] Assignee: **ABA System AG, Ermatingen,**
Switzerland

[**] Term: **14 Years**

[21] Appl. No.: **589,894**

[22] Filed: **Sep. 28, 1990**

[30] **Foreign Application Priority Data**

Apr. 2, 1990 [SE] Sweden 90 0758
Apr. 2, 1990 [SE] Sweden 90 0759

[52] U.S. Cl. **D3/35; D19/76**

[58] Field of Search **D3/30.1, 35, 74;**
D6/407; D9/340, 341; D19/75, 76; D34/45,
46; 206/309, 310, 311, 312, 313, 387, 444, 564;
211/40; 312/8, 19, 183

[56] **References Cited**

U.S. PATENT DOCUMENTS

D. 267,370	12/1982	Cline	D3/35
D. 268,379	3/1983	Dishell	D3/35
D. 285,213	8/1986	Roskvist	D19/76
D. 285,214	8/1986	Roskvist	D19/76
D. 285,215	8/1986	Roskvist	D19/76
D. 285,216	8/1986	Roskvist	D19/76
D. 288,145	2/1987	Northrup	D19/76
D. 291,386	8/1987	Johansson	D3/35
4,544,213	10/1985	Long et al.	312/183

Primary Examiner—A. Hugo Word
Assistant Examiner—Celia A. Murphy

[57] **CLAIM**

The ornamental design for a box for flexible disks, as shown and described.

DESCRIPTION

FIG. 1 is a top perspective view of a box for flexible disks showing our new design;
 FIG. 2 is a bottom perspective view thereof;
 FIG. 3 is a top perspective view of the cover element;
 FIG. 4 is a bottom perspective view of FIG. 3;
 FIG. 5 is a top perspective view of the lower storage element;
 FIG. 6 is a bottom perspective view of FIG. 5;
 FIG. 7 is a top perspective view of an alternate embodiment of the design shown in FIG. 1;
 FIG. 8 is a bottom perspective view of FIG. 7;
 FIG. 9 is a top perspective view of the cover element shown in FIG. 7;
 FIG. 10 is a bottom perspective view of FIG. 9;
 FIG. 11 is a top perspective view of the bottom element of the embodiment shown in FIG. 7;
 FIG. 12 is a bottom perspective view of FIG. 11;
 FIG. 13 is a top plan view of FIG. 1;
 FIG. 14 is a bottom plan view of FIG. 1;
 FIG. 15 is a left side elevational view of FIG. 1, the right side being a mirror image;
 FIG. 16 is a top plan view of FIG. 7;
 FIG. 17 is a bottom plan view of FIG. 7; and,
 FIG. 18 is a left side elevational view of FIG. 7, the right side being a mirror image.

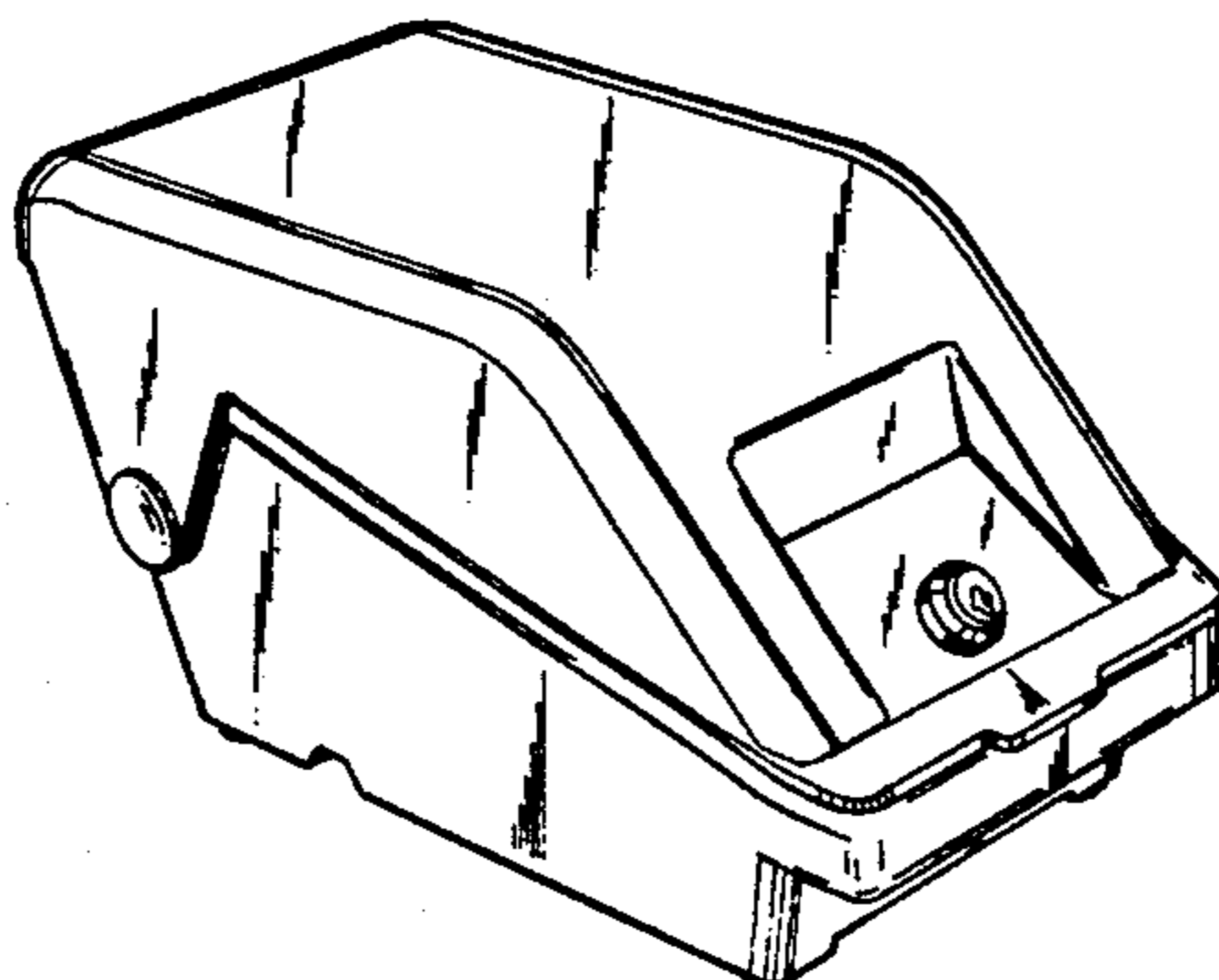
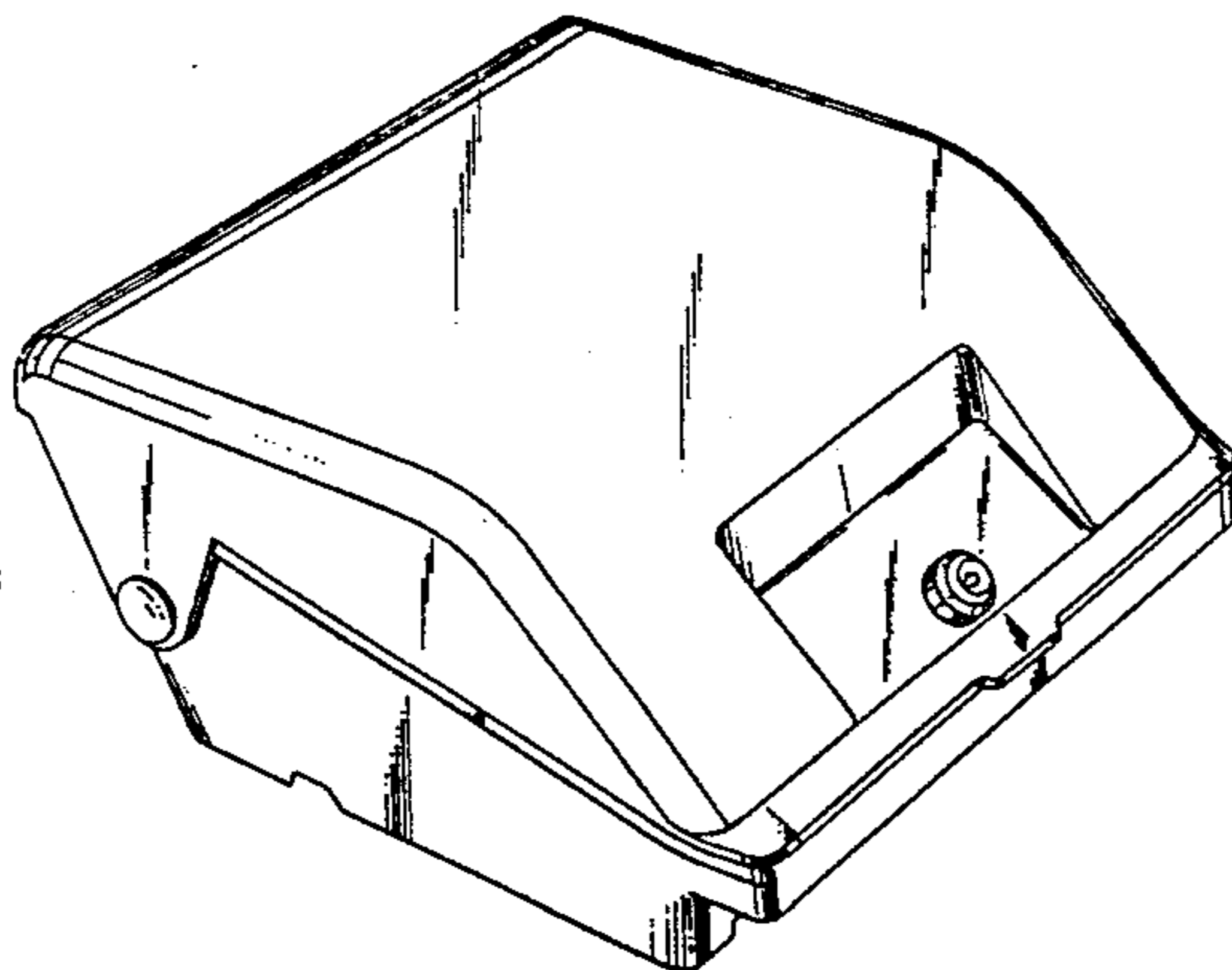


Fig.1

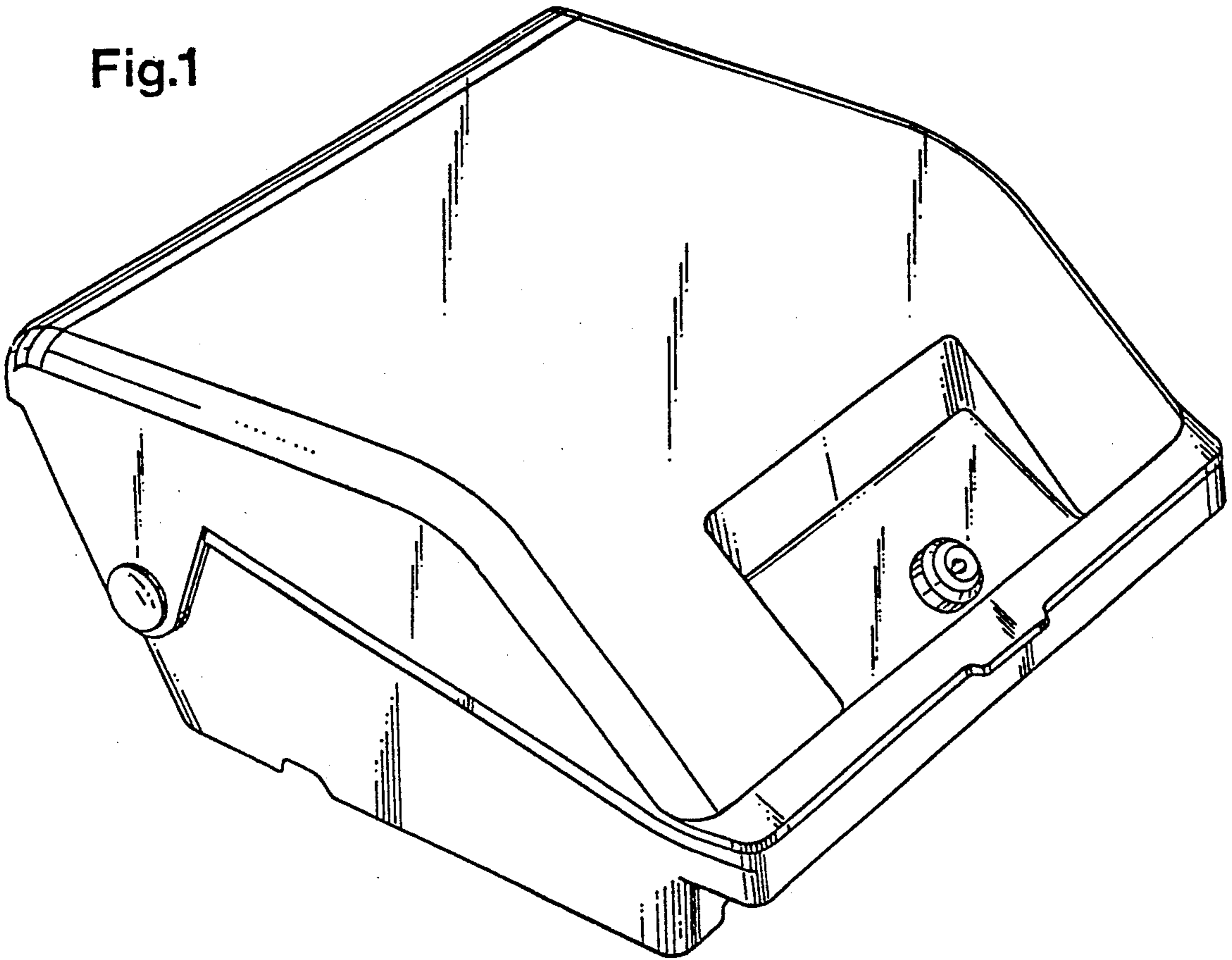


Fig.2

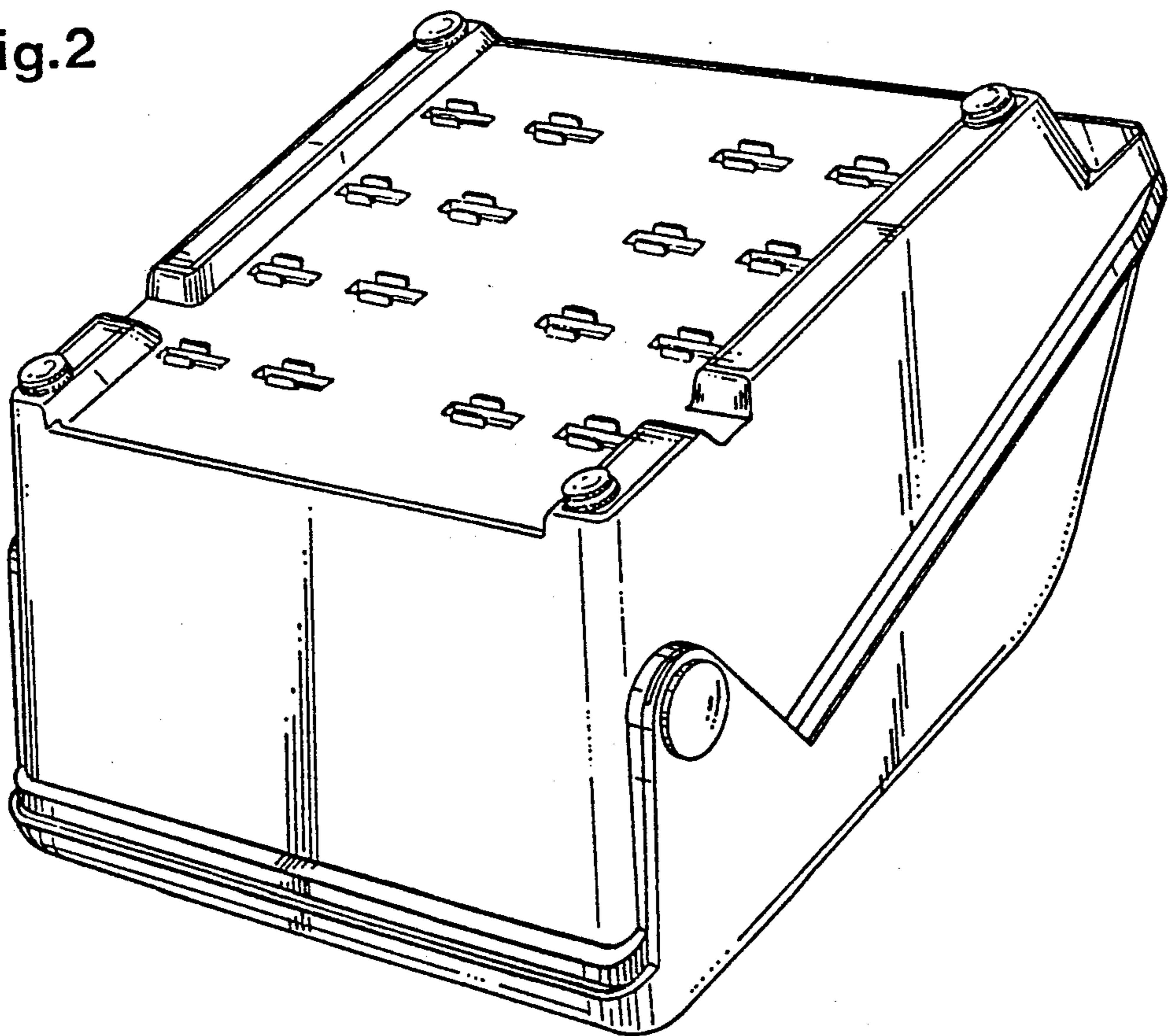


Fig.3

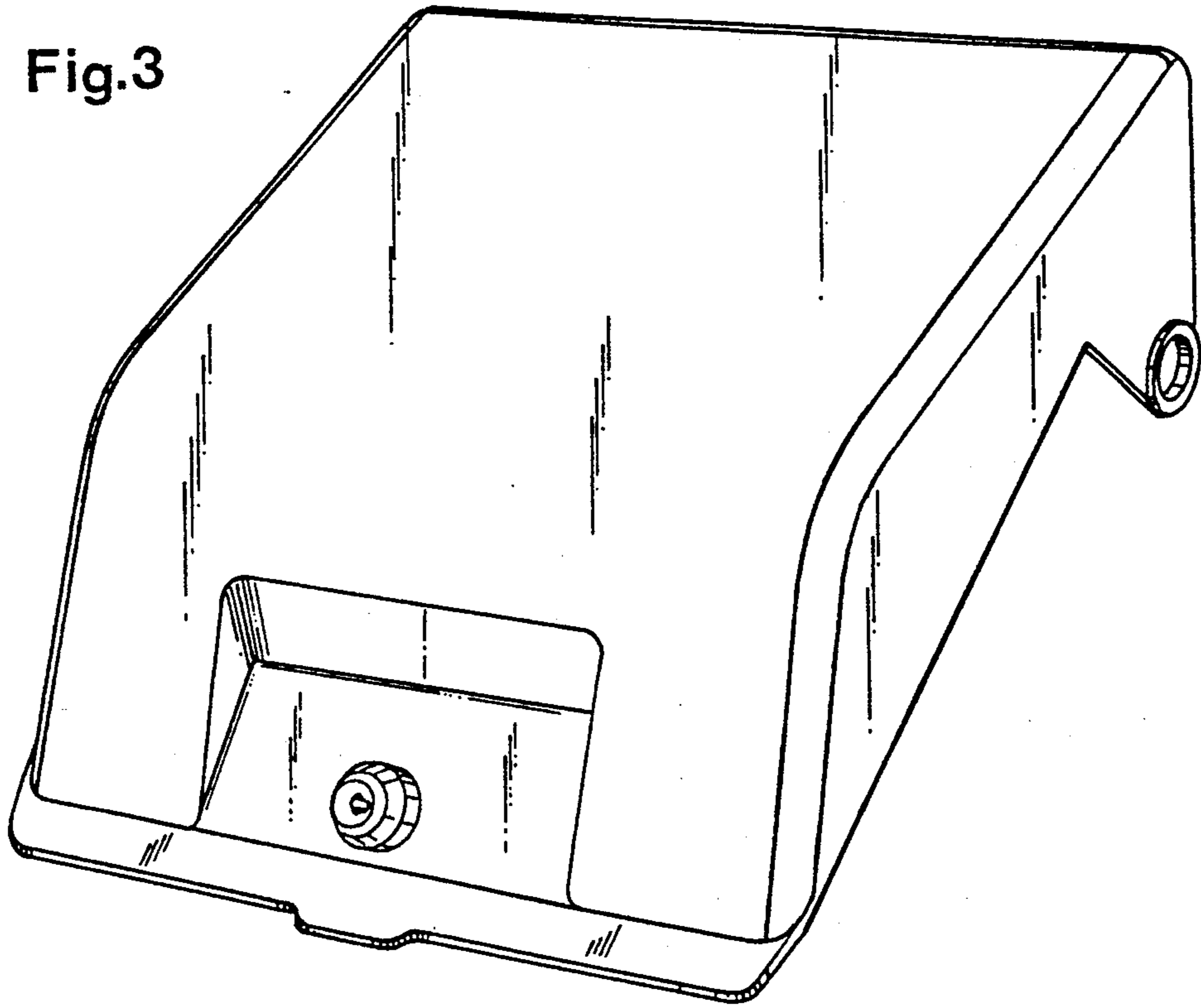


Fig.4

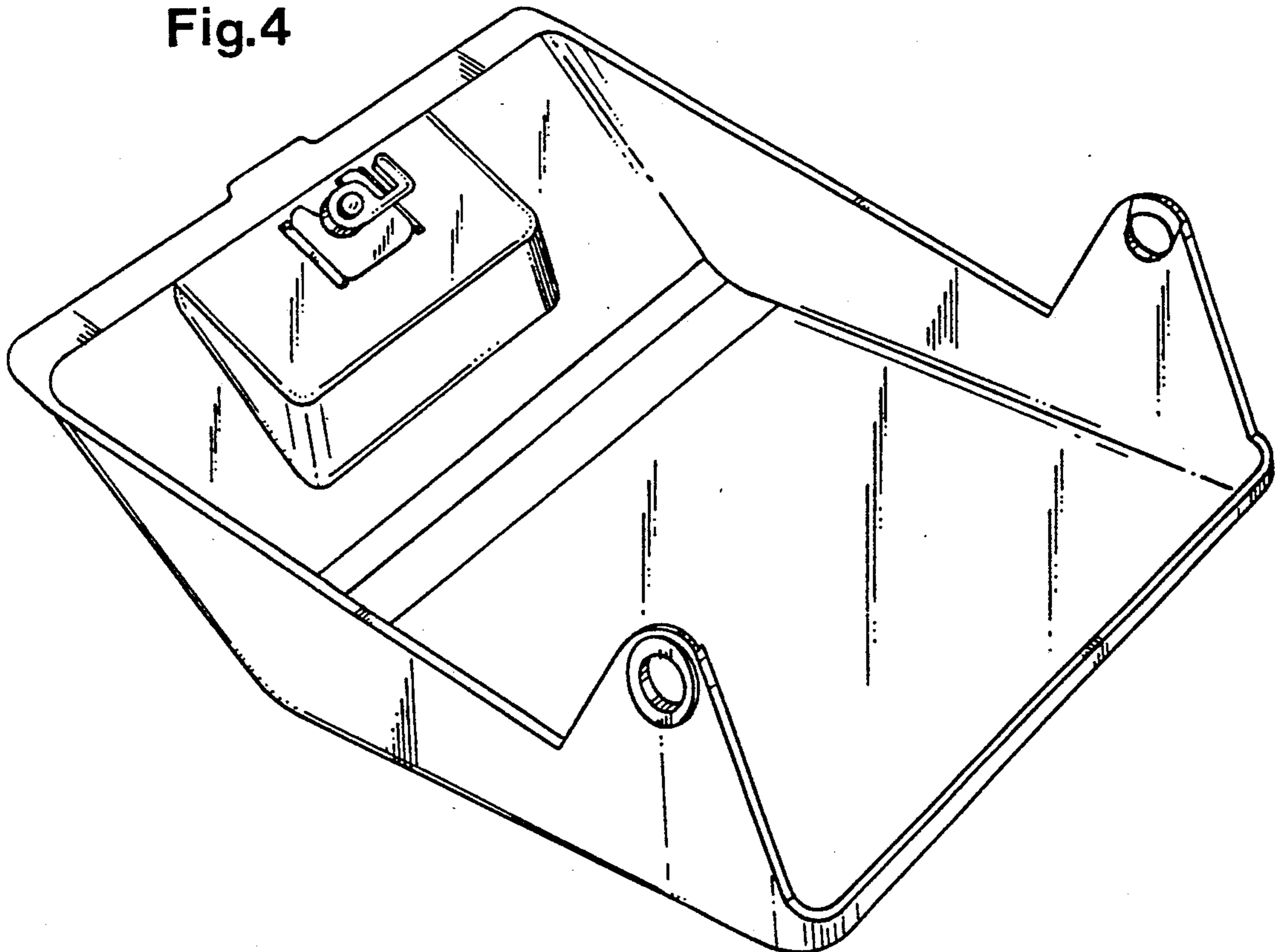


Fig.5

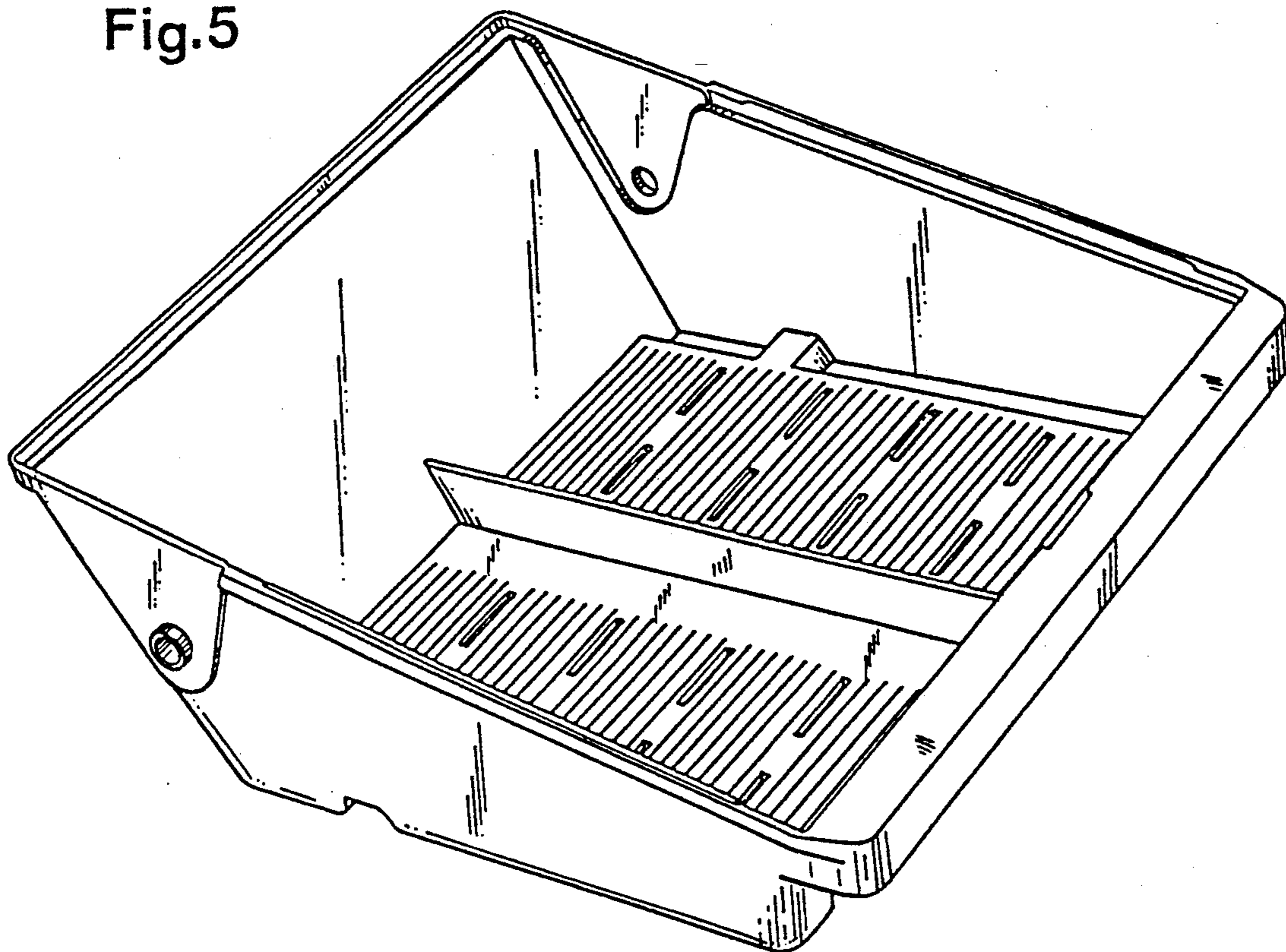


Fig.6

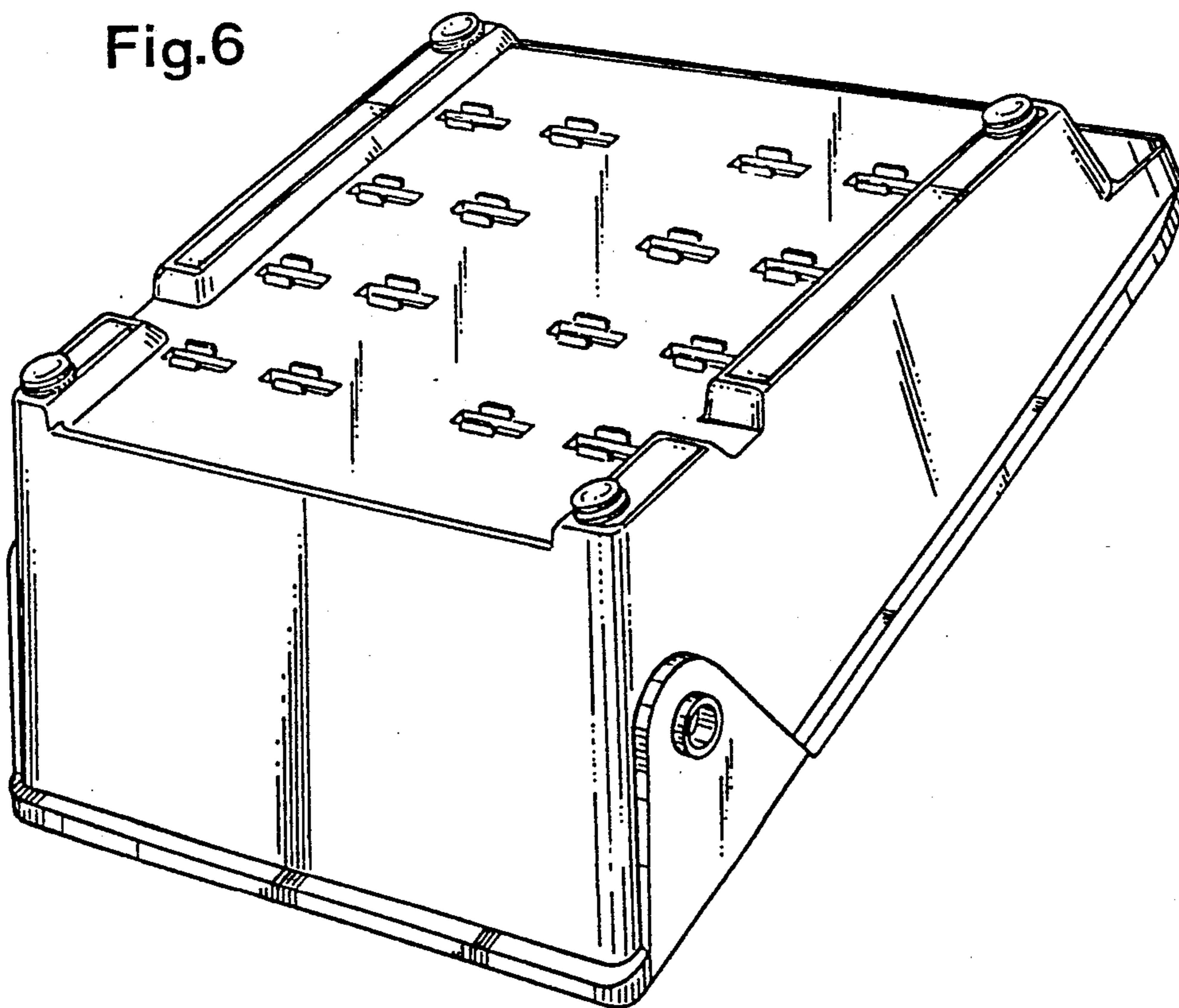


Fig.7

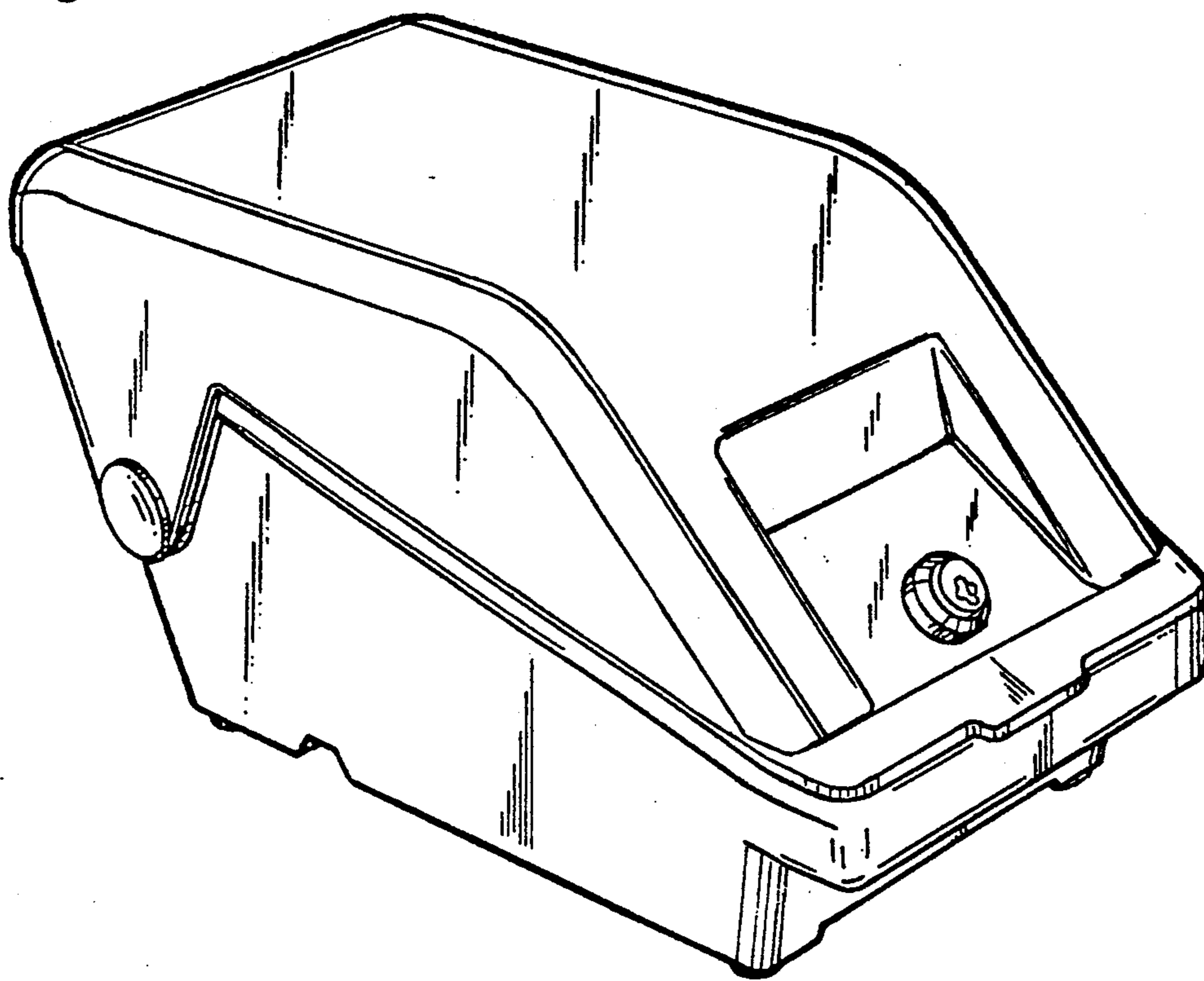


Fig.8

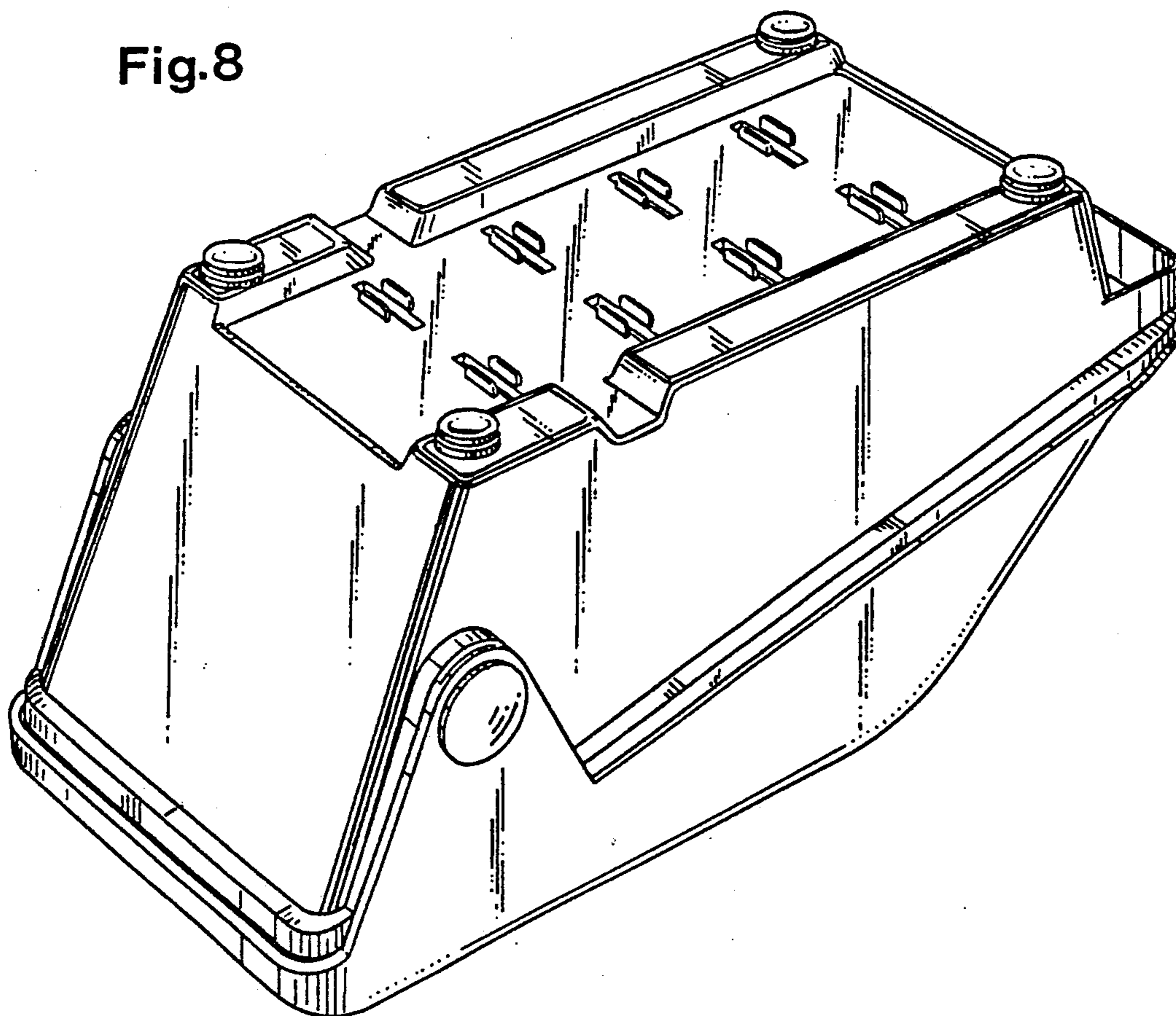


Fig.9

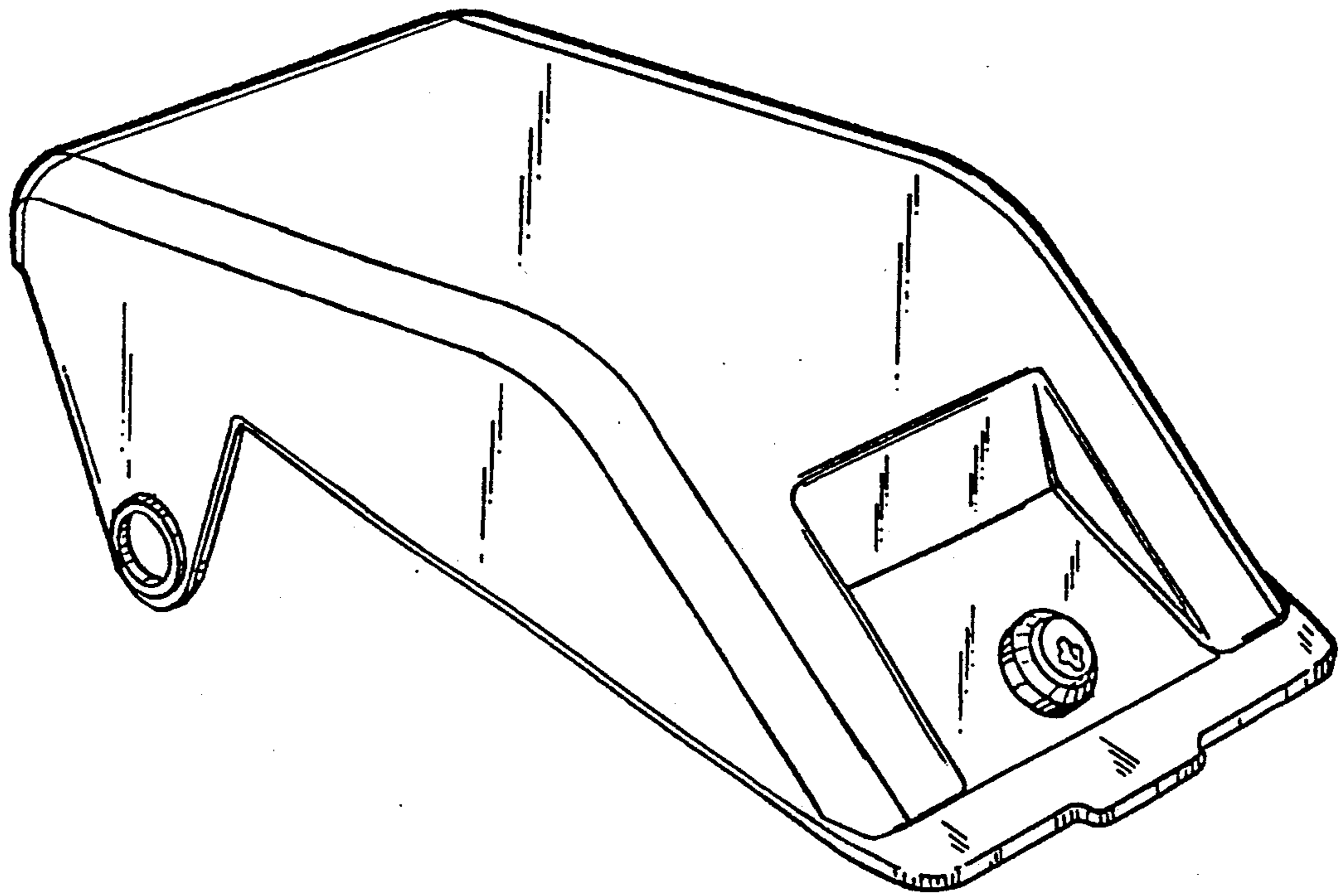


Fig.10

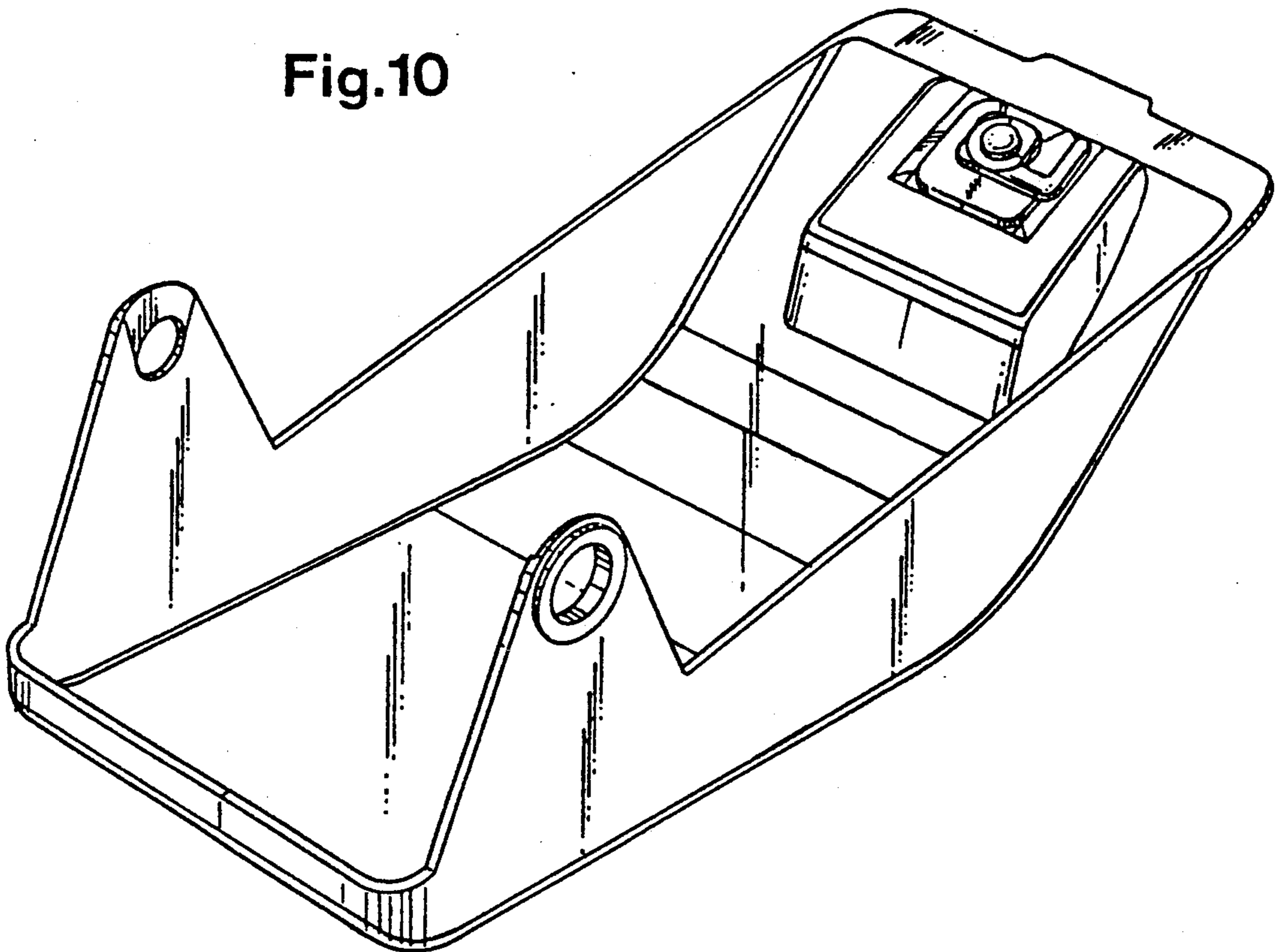


Fig.11

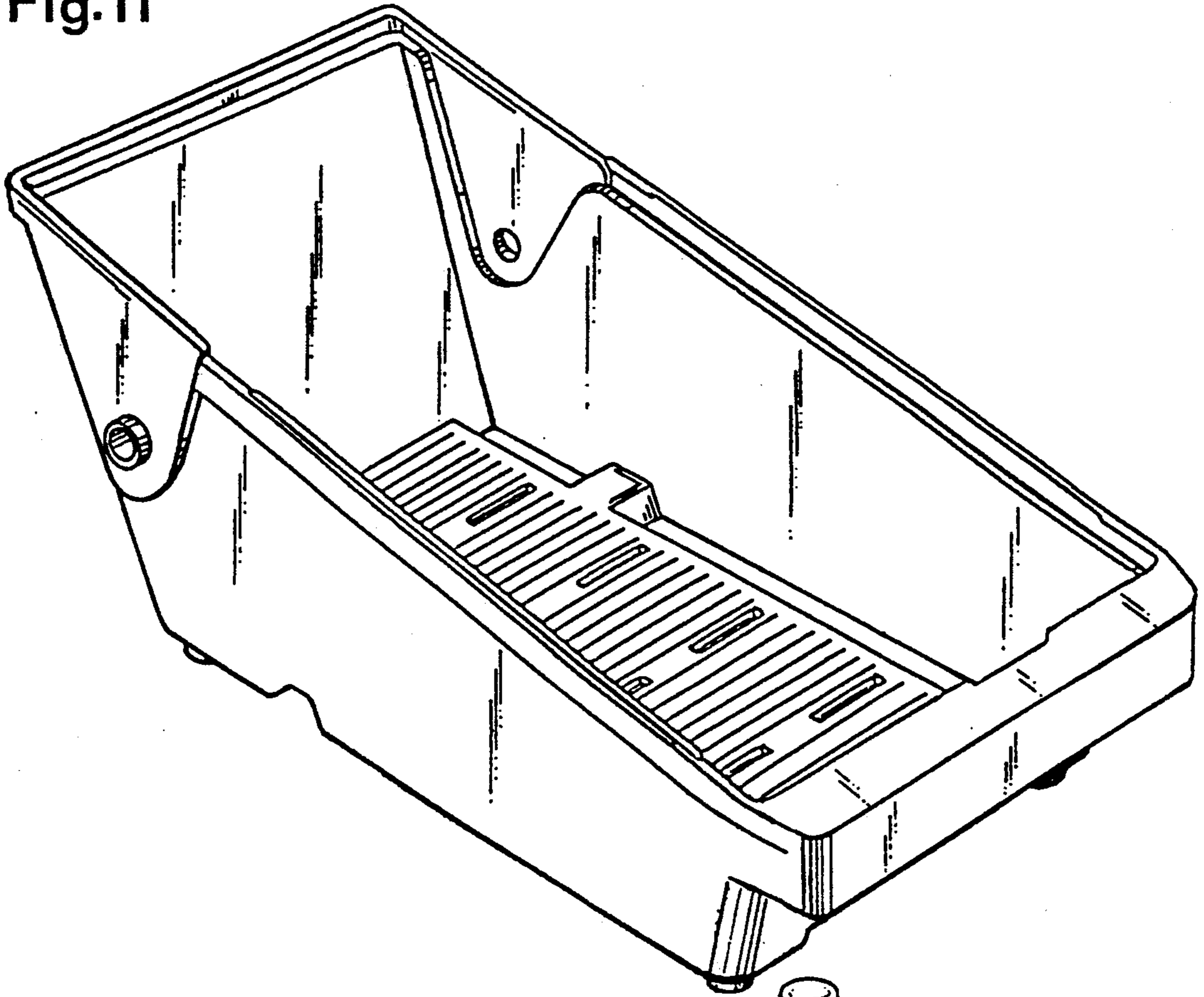


Fig.12

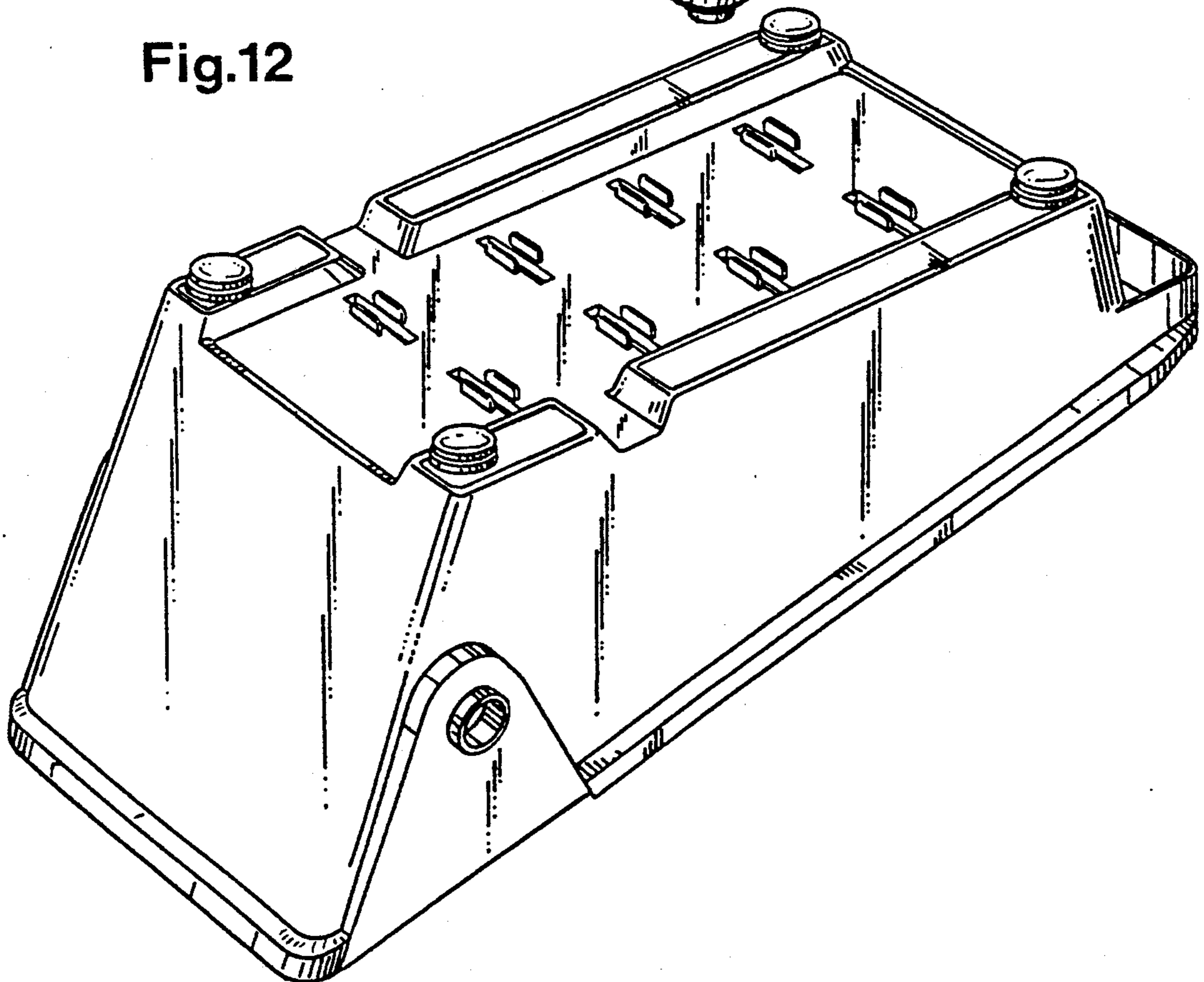


Fig.13

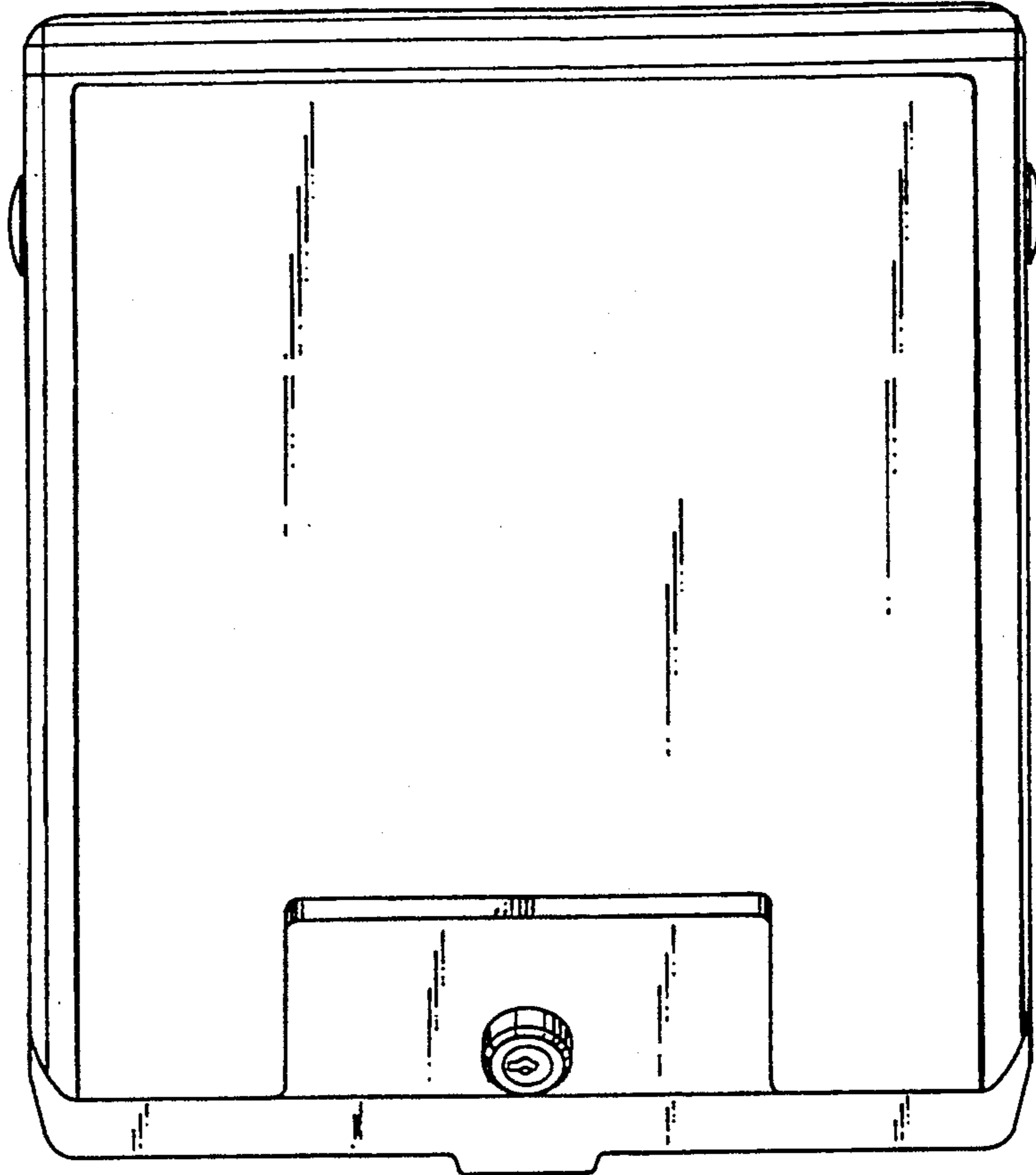


Fig.14

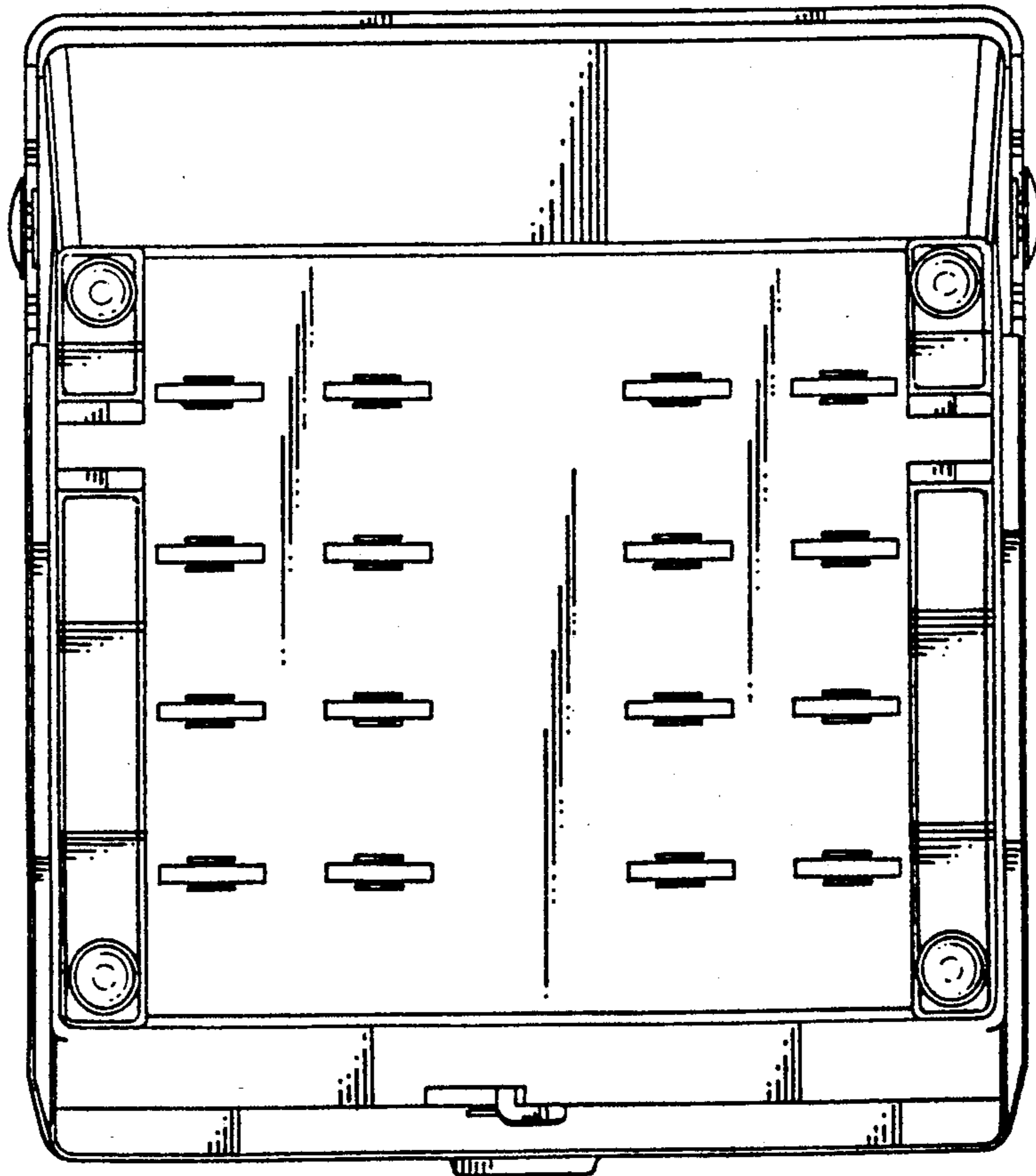


Fig.15

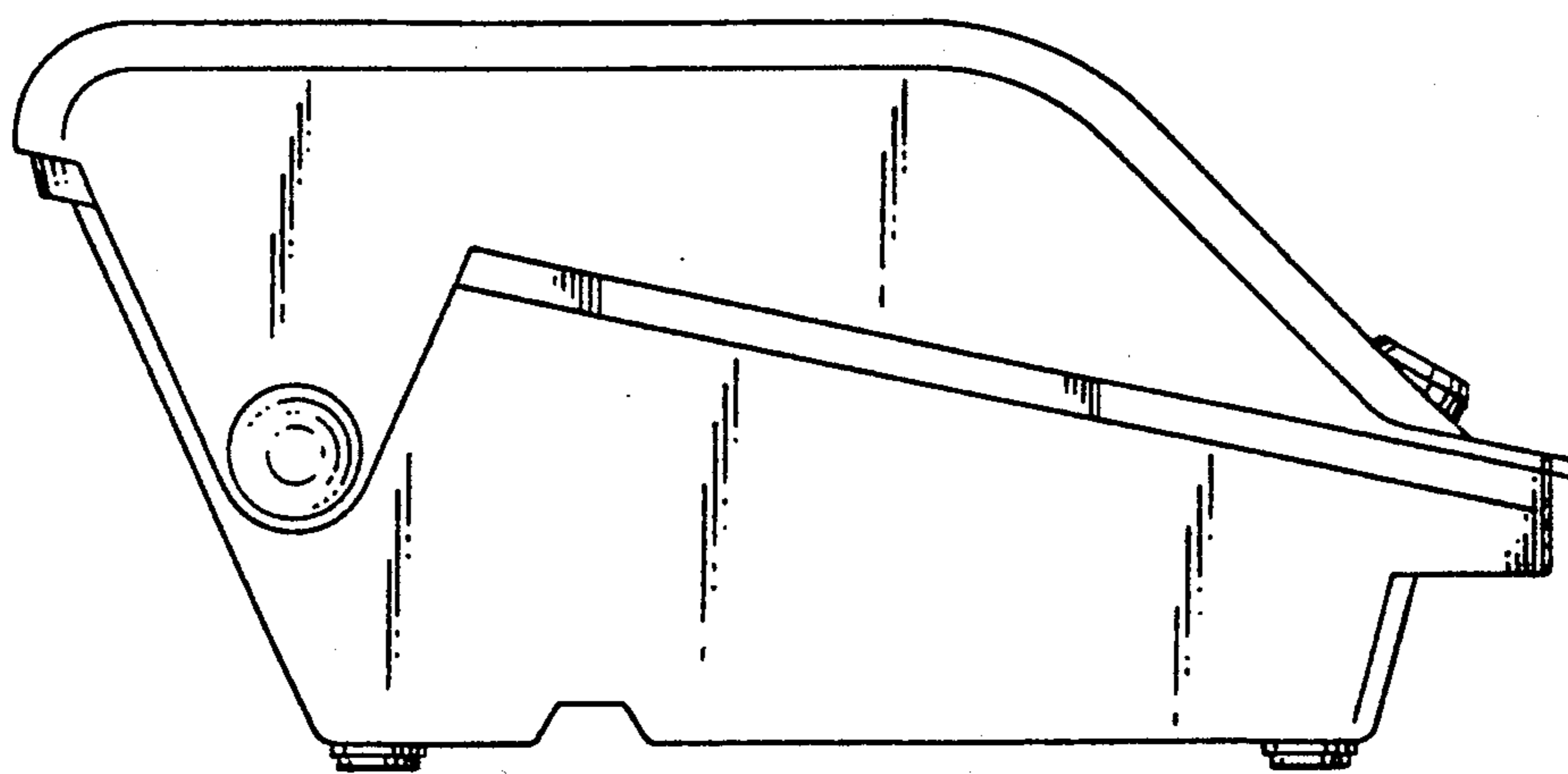


Fig.16

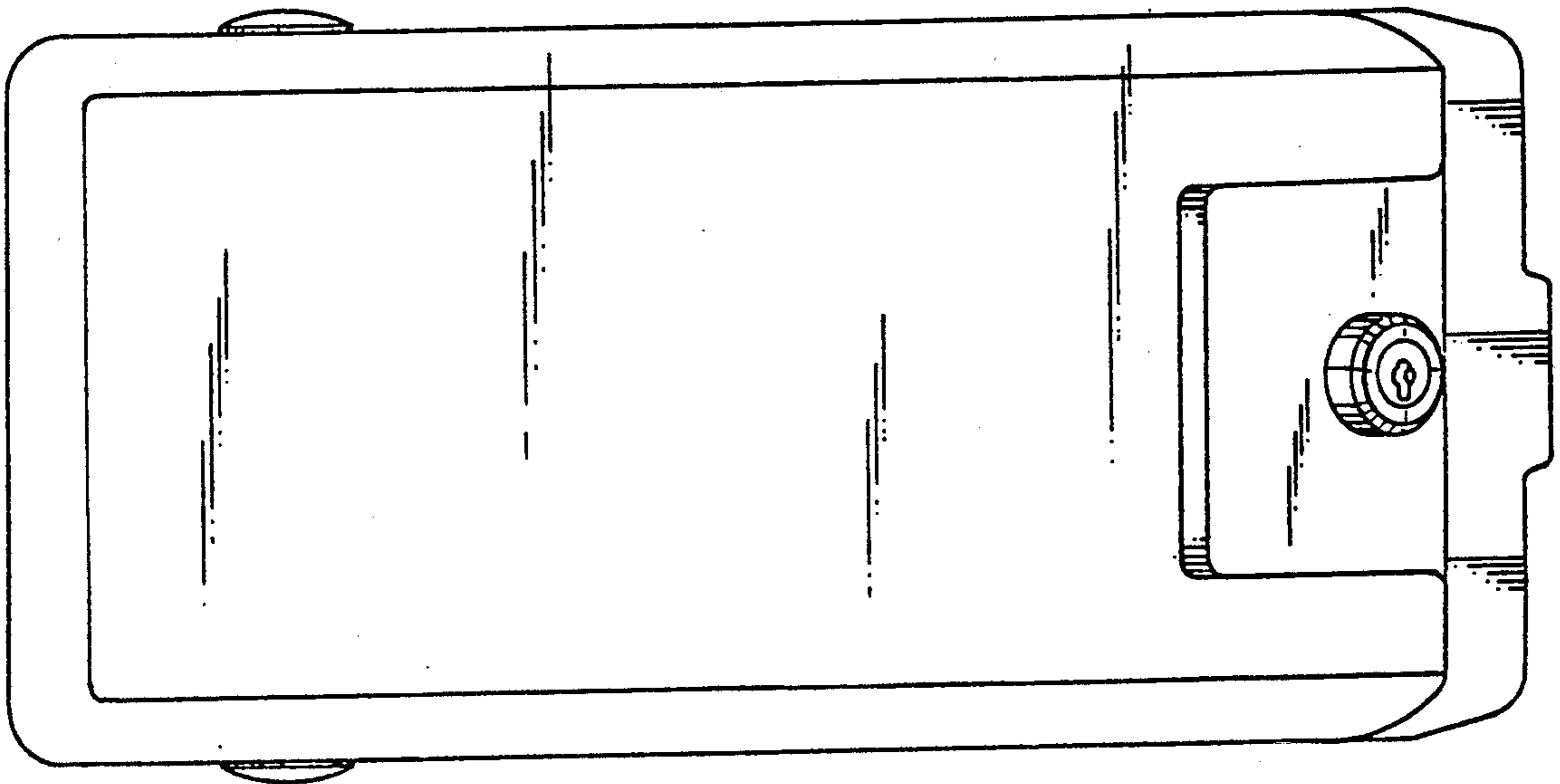


Fig.17

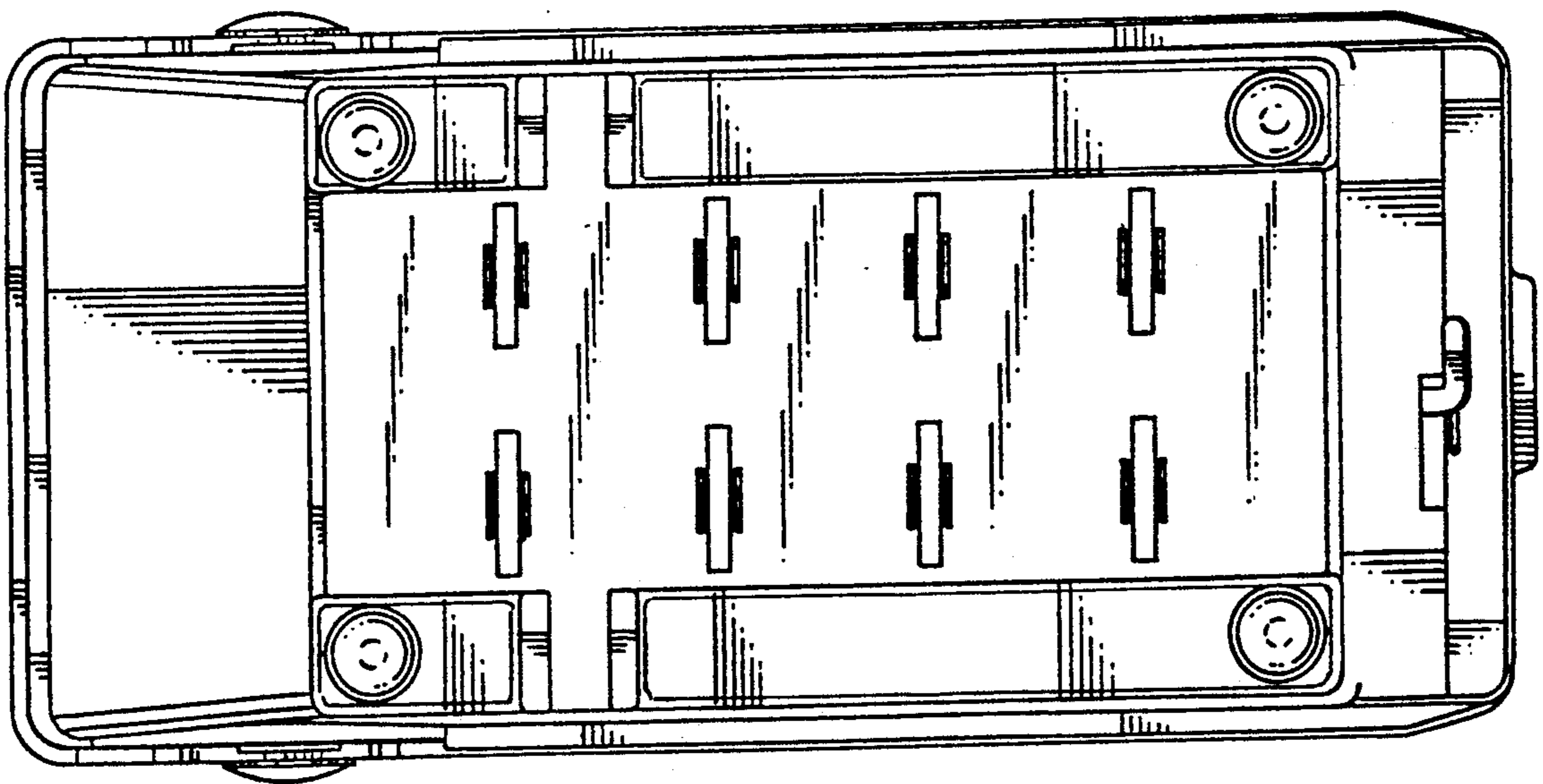


Fig.18

