



US00D335567S

United States Patent [19]
Young

[11] **Patent Number: Des. 335,567**

[45] **Date of Patent: ** May 11, 1993**

[54] **GOLF CART**

[75] **Inventor: Horace J. Young, Calgary, Canada**

[73] **Assignee: Arthur James, Drumheller, Canada**

[**] **Term: 14 Years**

[21] **Appl. No.: 807,557**

[22] **Filed: Dec. 16, 1991**

[52] **U.S. Cl. D34/15**

[58] **Field of Search D34/15, 12; 280/646,
280/DIG. 6, 652, 47.26**

[56] **References Cited**

U.S. PATENT DOCUMENTS

- D. 144,069 3/1946 Quiring D34/15
- D. 319,327 8/1991 Sanders et al. D34/15

4,961,593 10/1990 Sanders et al. 280/646

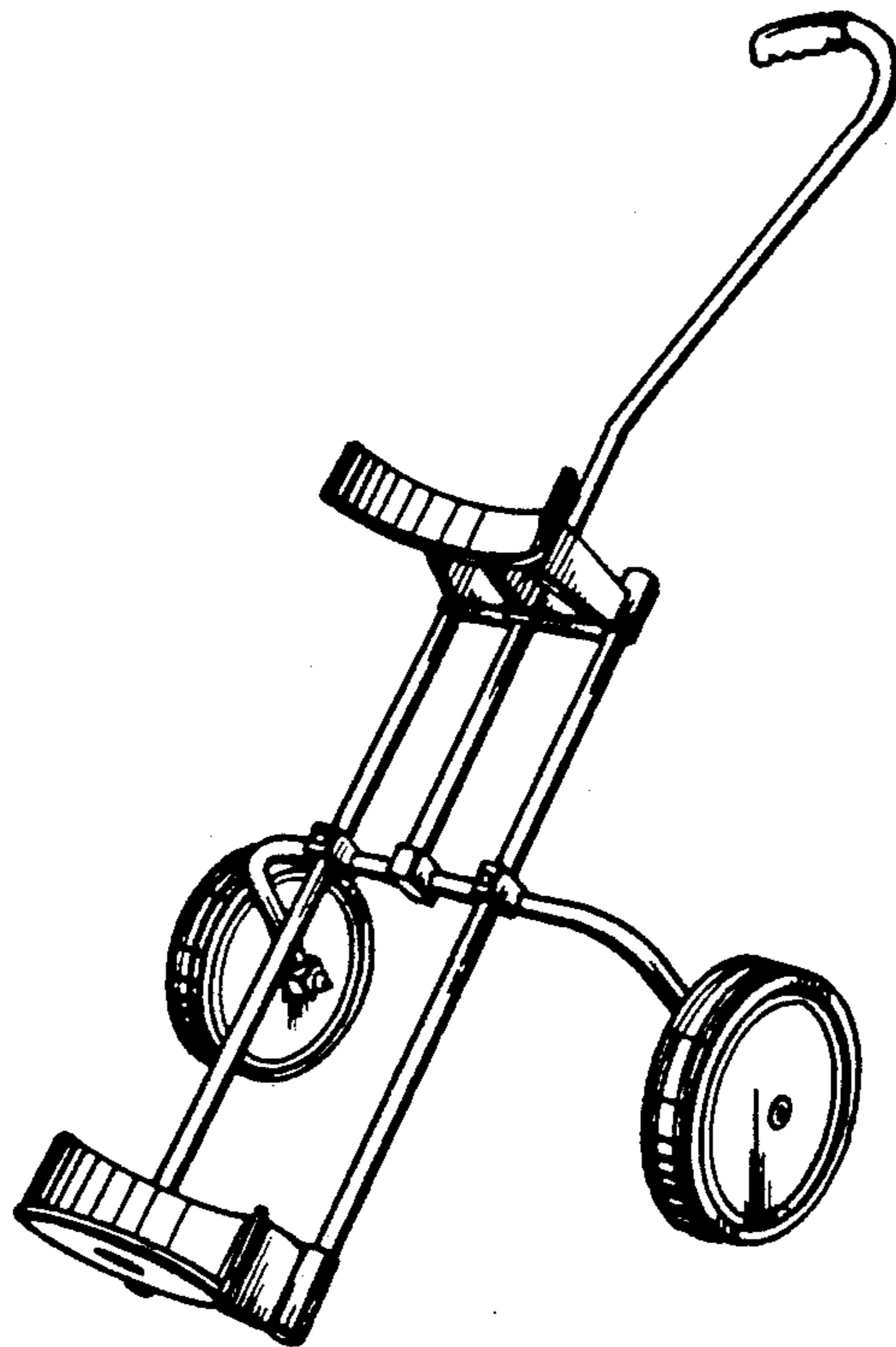
Primary Examiner—Kay H. Chin
Attorney, Agent, or Firm—George H. Dunsmuir

[57] **CLAIM**

The ornamental design for a golf cart, as shown and described.

DESCRIPTION

FIG. 1 is a right side elevational view of a golf cart showing my new design;
 FIG. 2 is a left side elevational view thereof;
 FIG. 3 is a front elevational view thereof;
 FIG. 4 is a rear elevational view thereof;
 FIG. 5 is a top plan view thereof;
 FIG. 6 is a bottom plan view thereof; and,
 FIG. 7 is a front perspective view thereof.



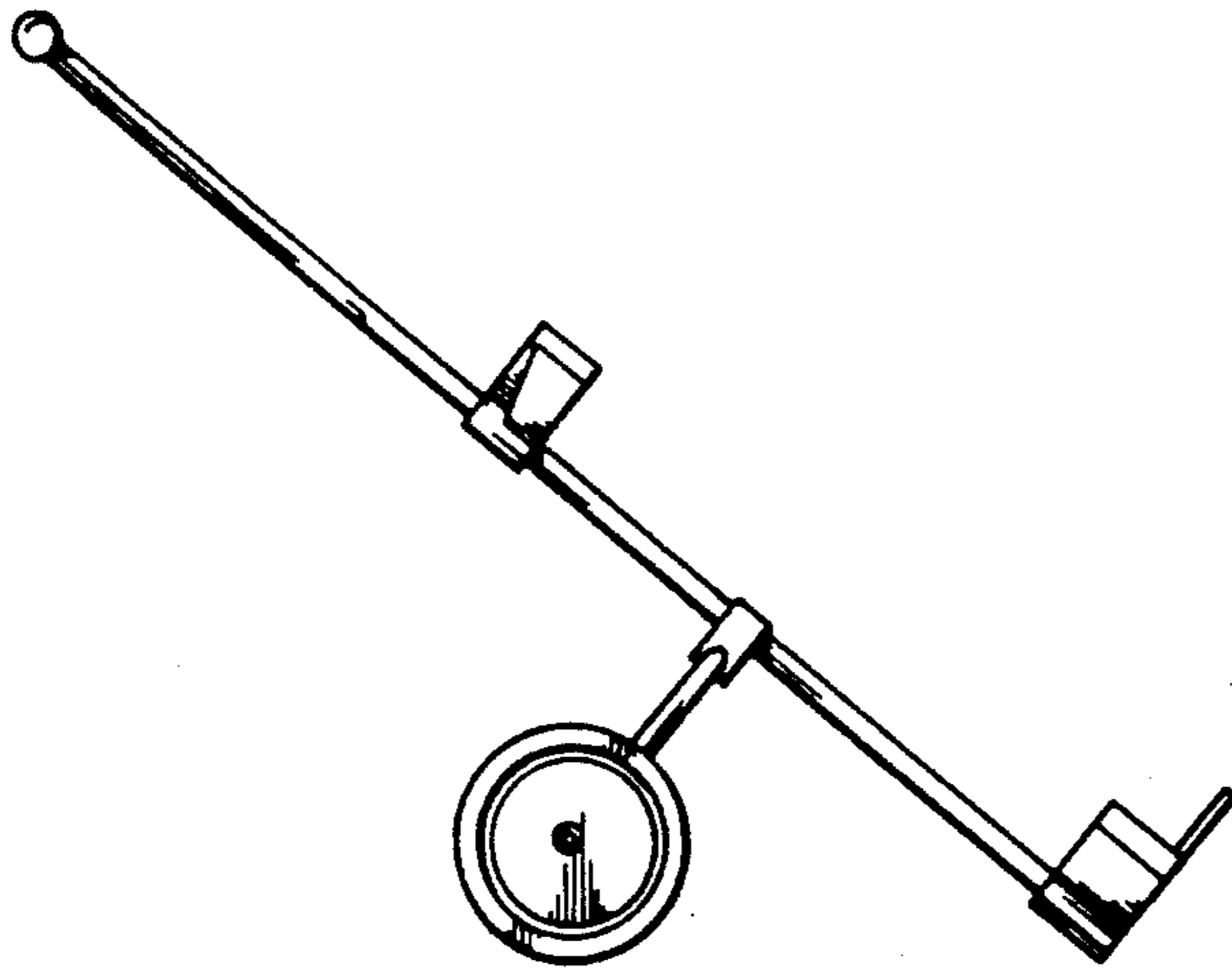


FIG. 1

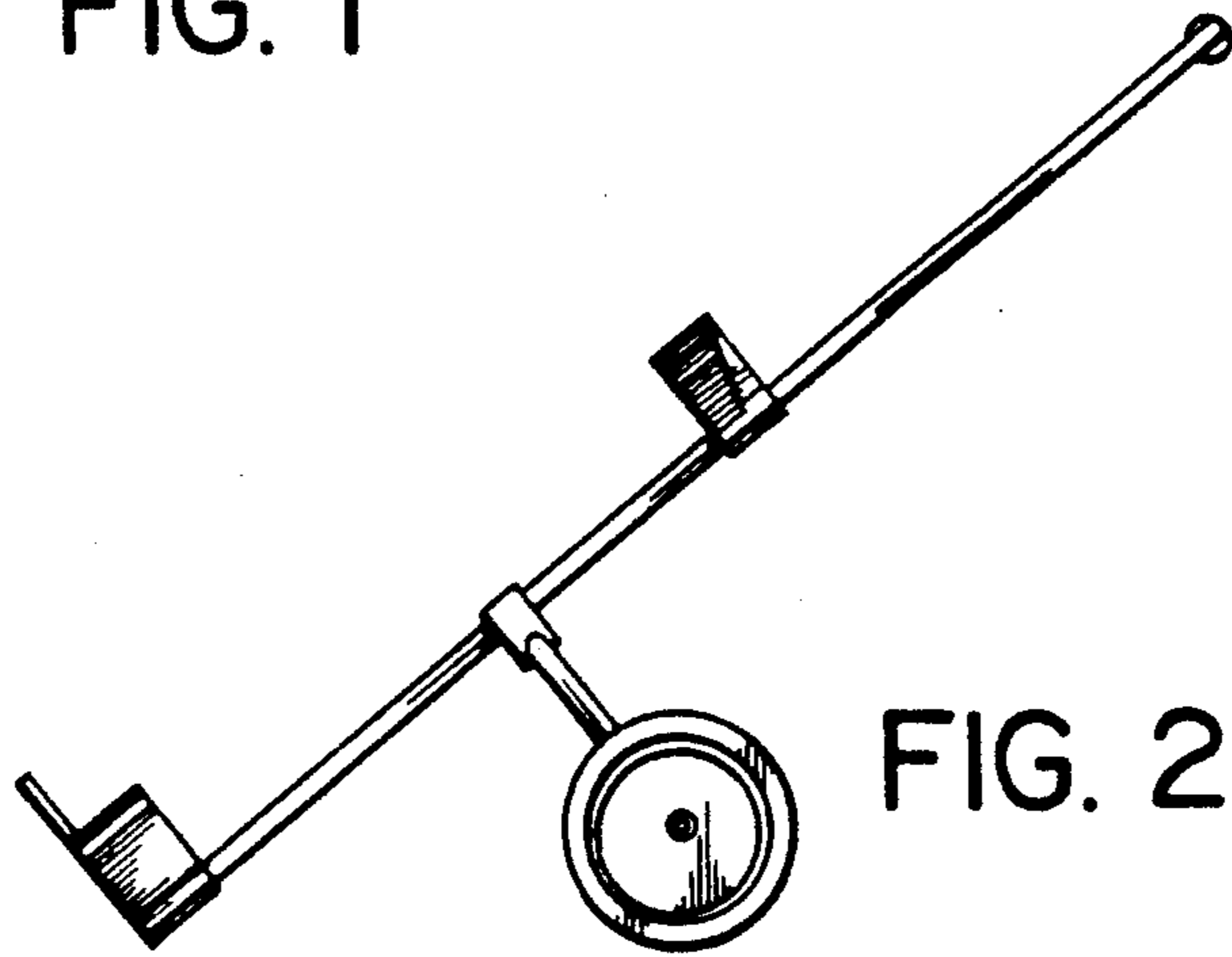


FIG. 2

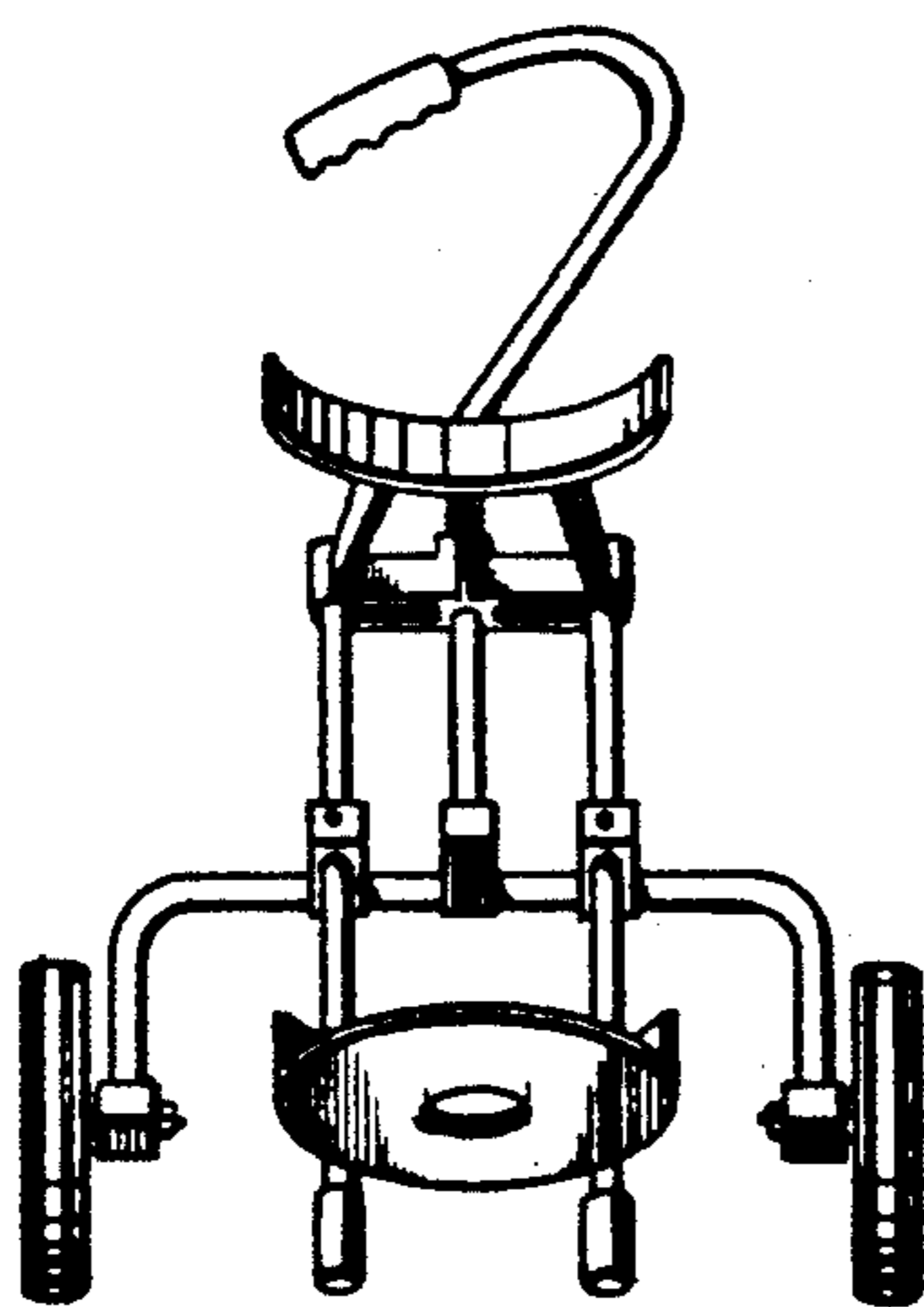


FIG. 3

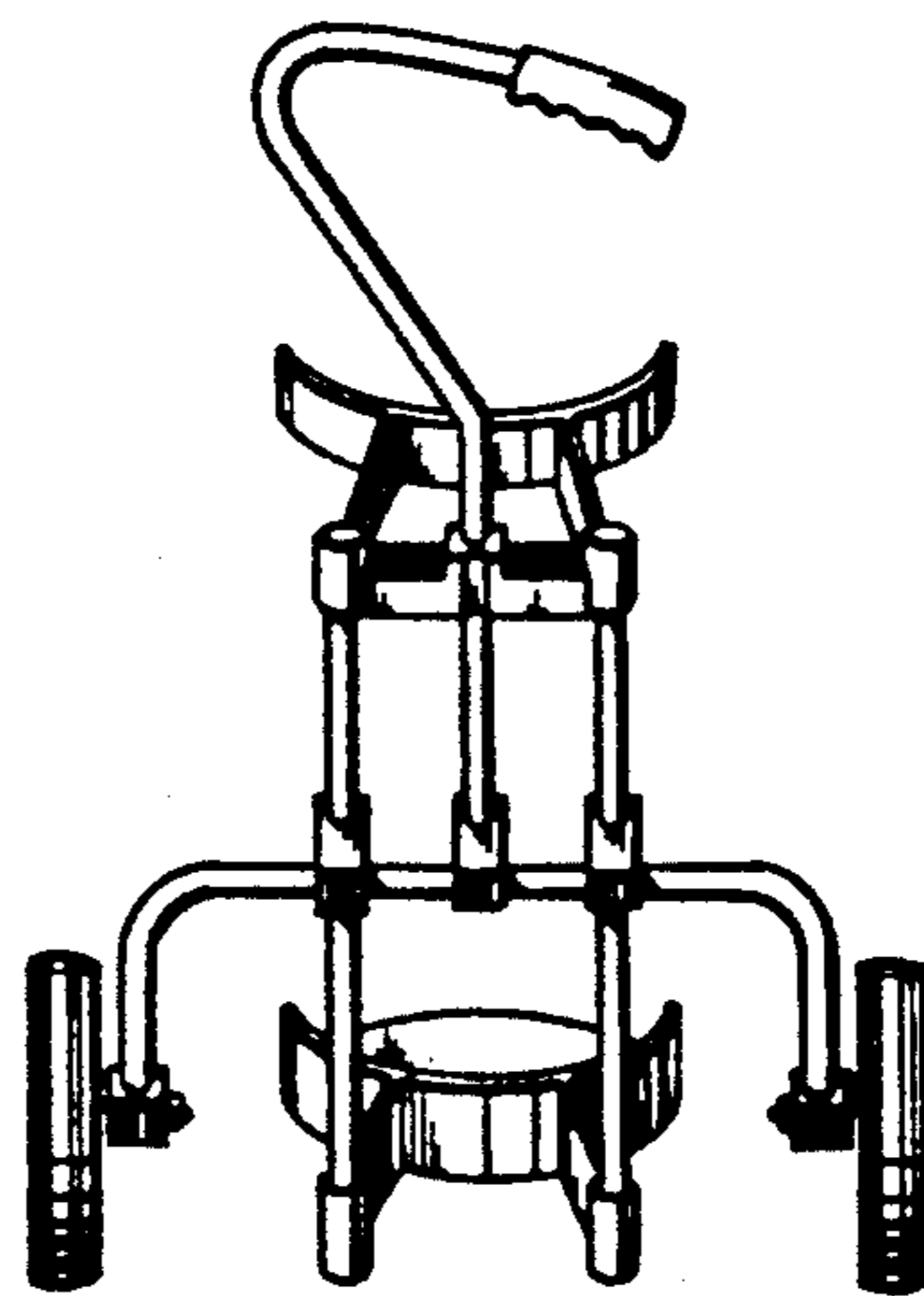


FIG. 4

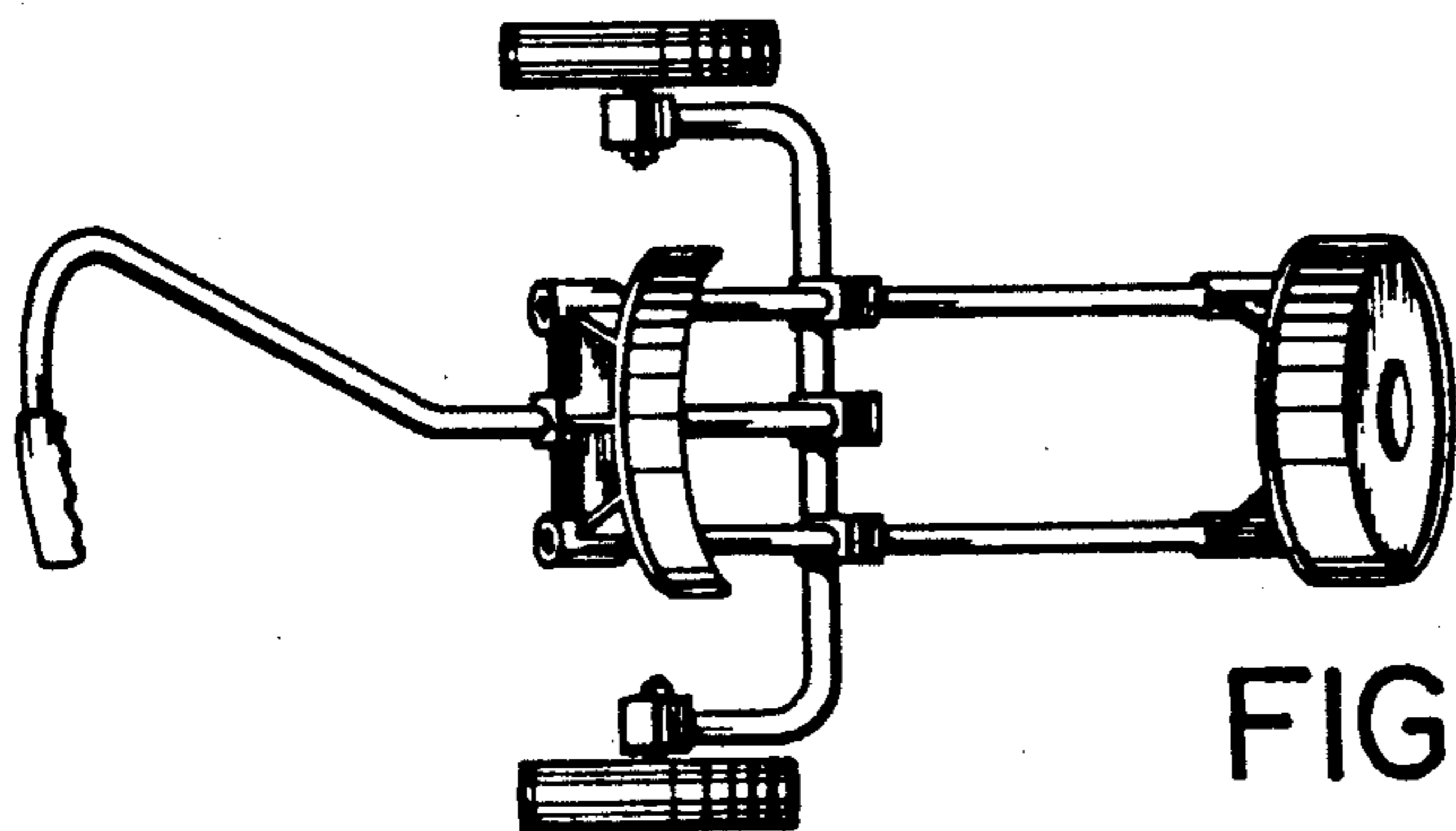


FIG. 5

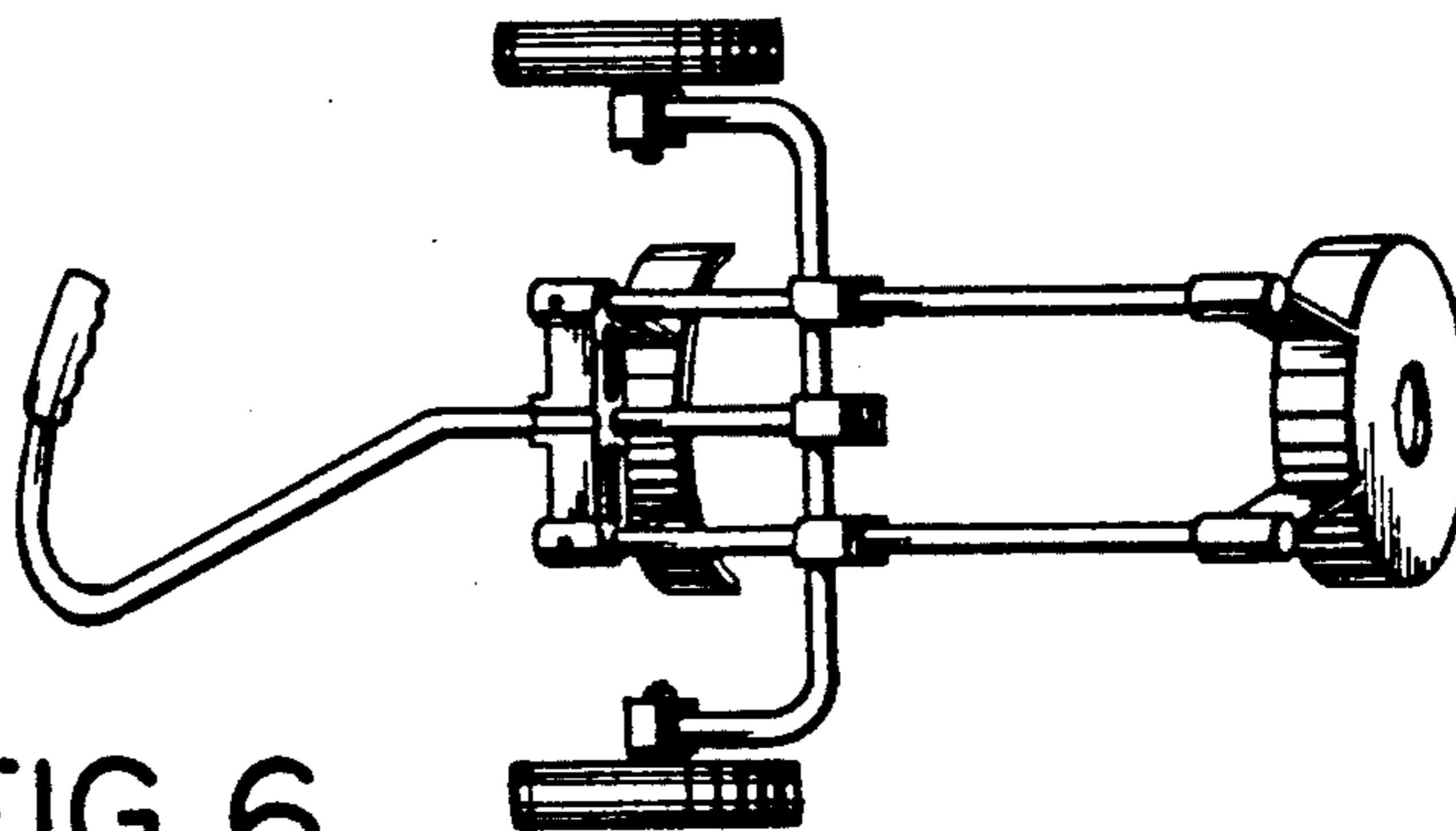


FIG. 6

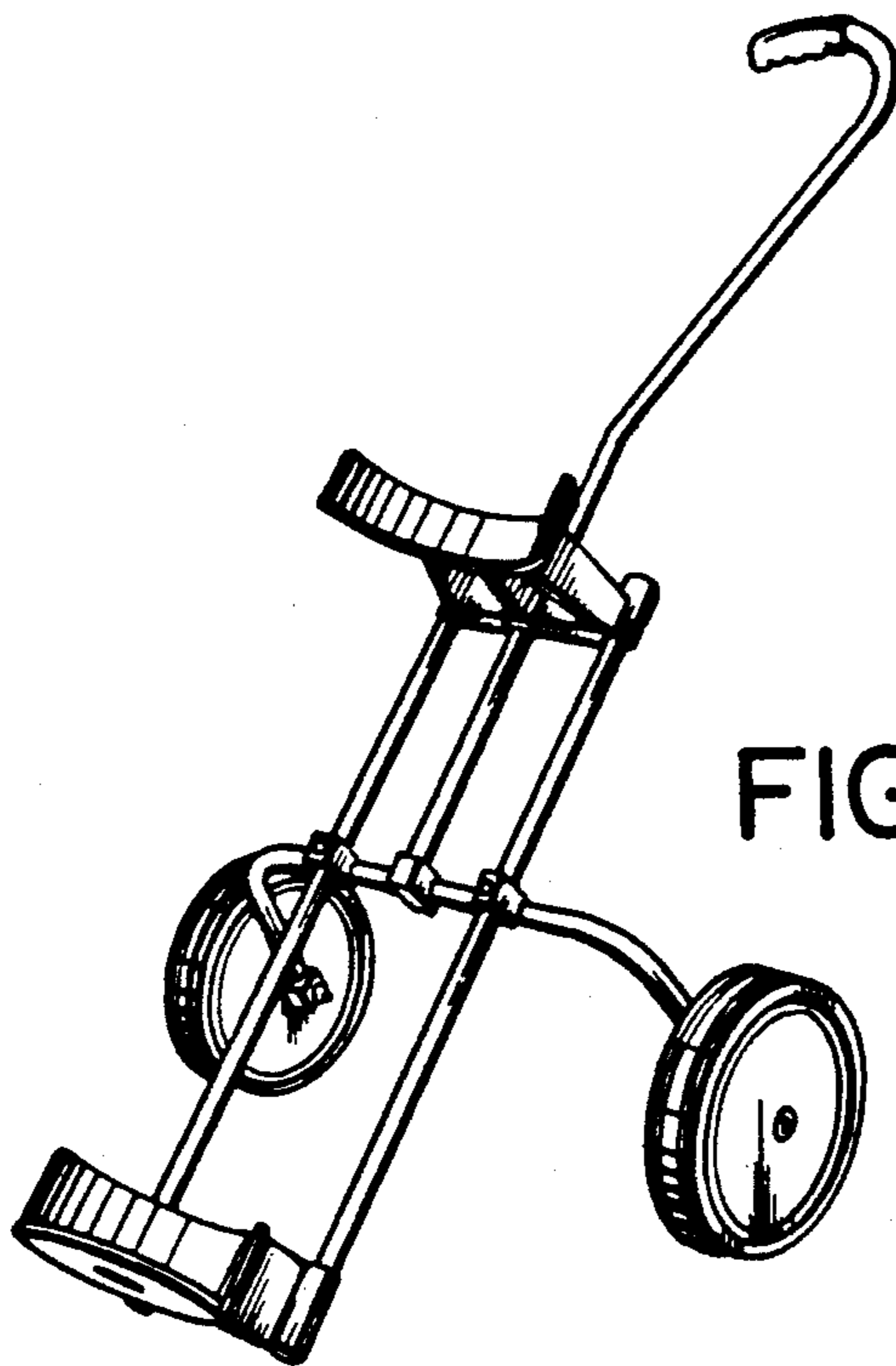


FIG. 7