



US00D335564S

United States Patent [19]

Delmerico

[11] Patent Number: **Des. 335,564**

[45] Date of Patent: **** May 11, 1993**

[54] CONTAINER COVER WITH HINGE PIN

[75] Inventor: **Paul E. Delmerico, Winchester, Va.**

[73] Assignee: **Rubbermaid Commerical Products Inc., Winchester, Va.**

[**] Term: **14 Years**

[21] Appl. No.: **721,226**

[22] Filed: **Jun. 25, 1991**

[52] U.S. Cl. **D34/11; D34/10**

[58] Field of Search **D34/1-11; 220/908, 263, 331, 334, 343, 352, 254, 264; 232/43.2, 1 R; D32/36**

Rubbermaid Incorporated, Wooster, Ohio 44691, 2 page brochure, "Focus On Value", p. 32.

Kartell USA, Inc., Greenville, South Carolina 29602, 1 page advertisement, 1989.

White Mipro, P.O. Box 16647, Tampa, Florida 33687, collection of advertising sheets, 1988.

Rubbermaid Commerical Products, Inc., Winchester, Virginia 22601, catalog, "Industrial Products", p. 16, 1990.

Rubbermaid Commerical Products, Inc., Winchester, Virginia 22601, catalog "Building Partnerships", p. 25, 1989.

Rubbermaid catalog, "Food Service Products", p. 28, Nos. 2857 and 2858.

Primary Examiner—**Kay H. Chin**

Attorney, Agent, or Firm—**Renner, Kenner, Greive, Bobak, Taylor & Weber**

[56] **References Cited**

U.S. PATENT DOCUMENTS

D. 261,720	11/1981	Brazis	D34/9
D. 265,261	6/1982	Gerber	D32/37
D. 288,019	1/1987	Gebhard et al.	D32/36
4,119,240	10/1978	Dumas et al.	220/331
4,150,764	4/1979	Anderson	220/263
4,200,197	4/1980	Meyer et al.	220/263
4,303,174	12/1981	Anderson	220/263
4,445,619	5/1984	Kubic et al.	220/263
4,785,964	11/1988	Miller et al.	220/263
4,836,394	6/1989	Glomski	220/908
4,865,214	9/1989	Kola et al.	220/263
4,972,966	11/1990	Craft, Jr.	220/264

OTHER PUBLICATIONS

Mobil Oil Company (Hefty) 2 page brochure, "Success . . . By Design", 1989.

[57] **CLAIM**

The ornamental design for a container cover with hinge pin, as shown and described.

DESCRIPTION

FIG. 1 is a top plan view of a container cover with hinge pin embodying my new design;

FIG. 2 is a side elevational view thereof, the other side being a mirror image thereof;

FIG. 3 is a front elevational view thereof;

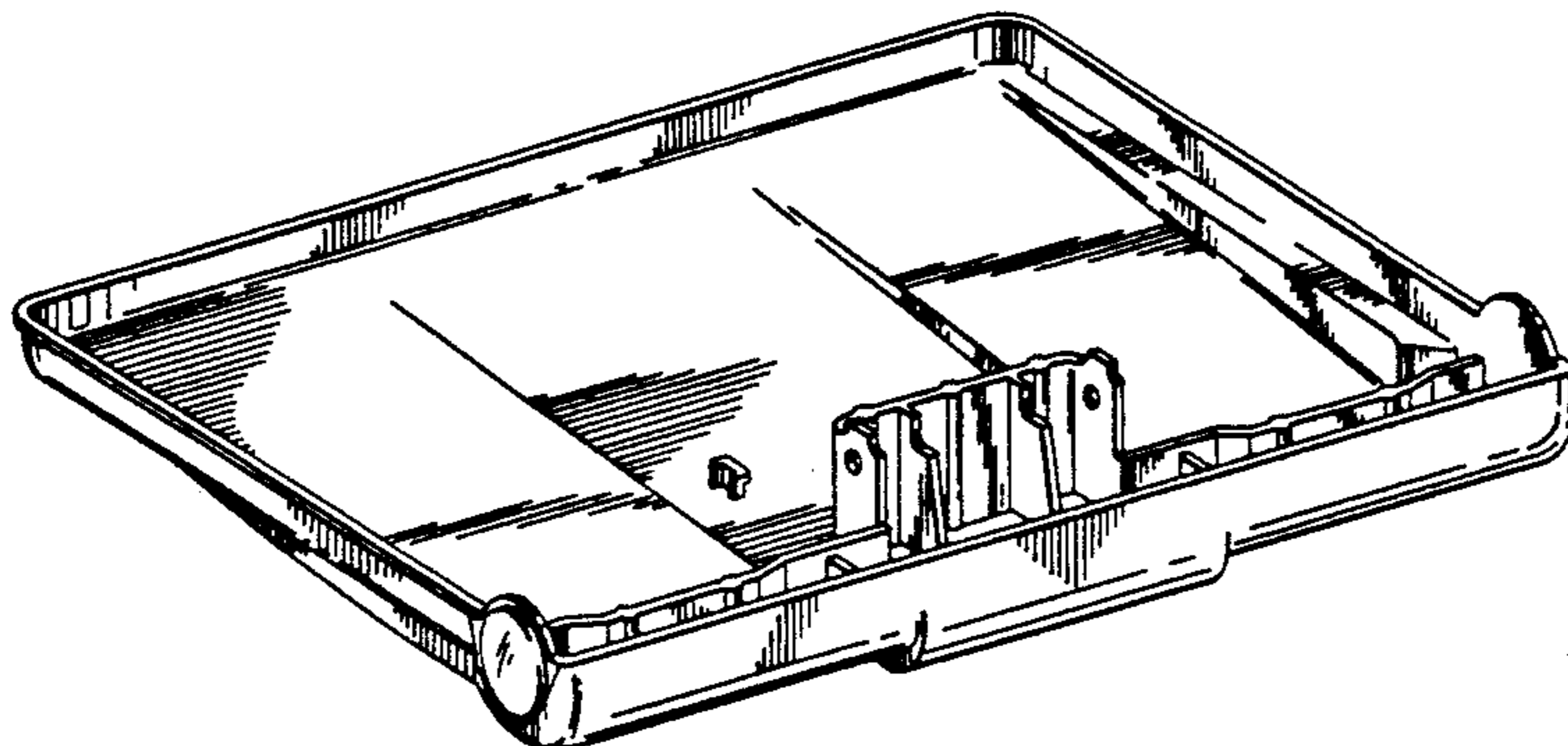
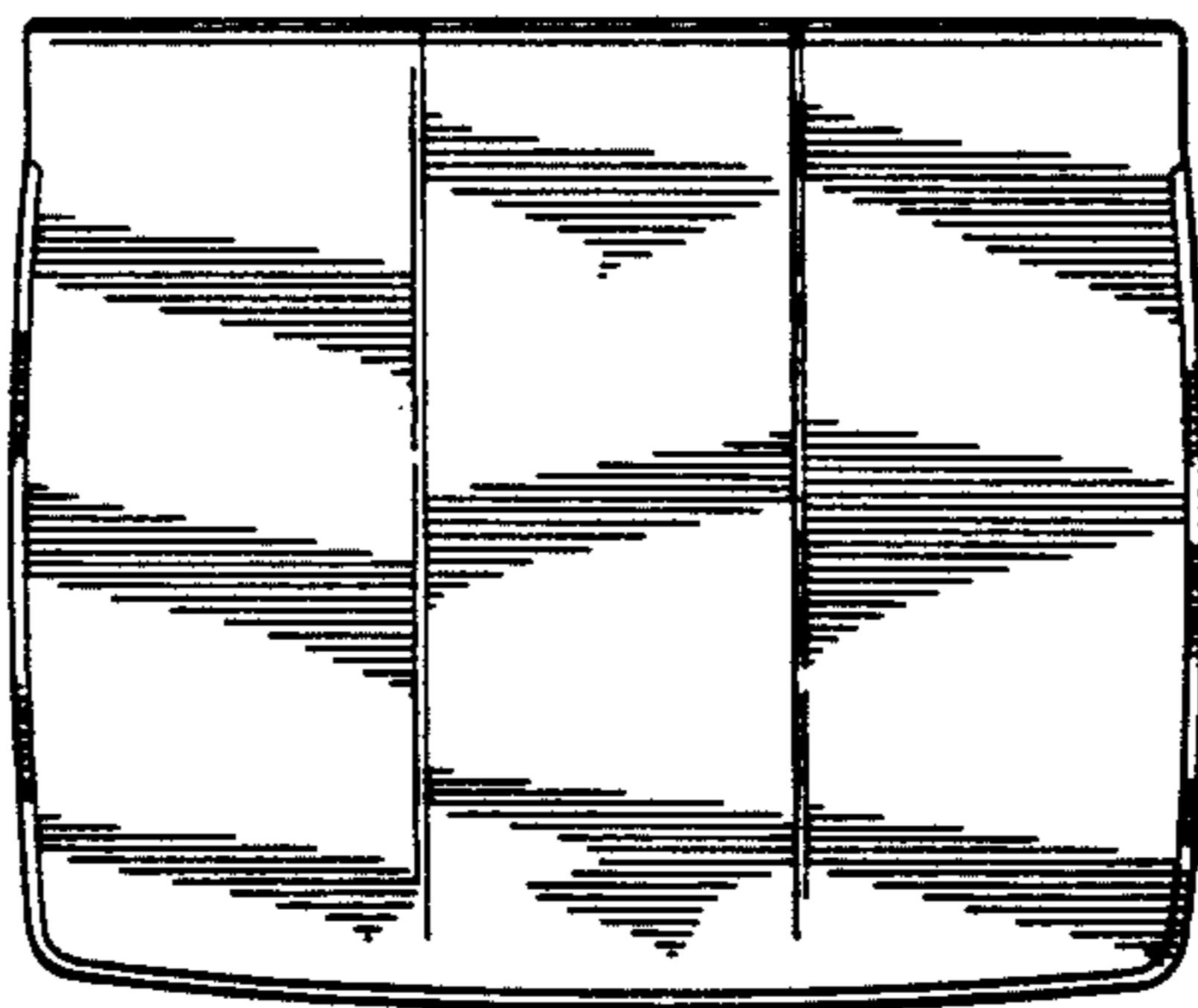
FIG. 4 is a rear elevational view thereof;

FIG. 5 is a bottom plan view thereof;

FIG. 6 is a bottom plan view of a second embodiment of the container cover with hinge pin, the top view being identical to the first embodiment of FIG. 1;

FIG. 7 is a bottom perspective view of FIG. 1; and,

FIG. 8 is a bottom perspective view of FIG. 6.



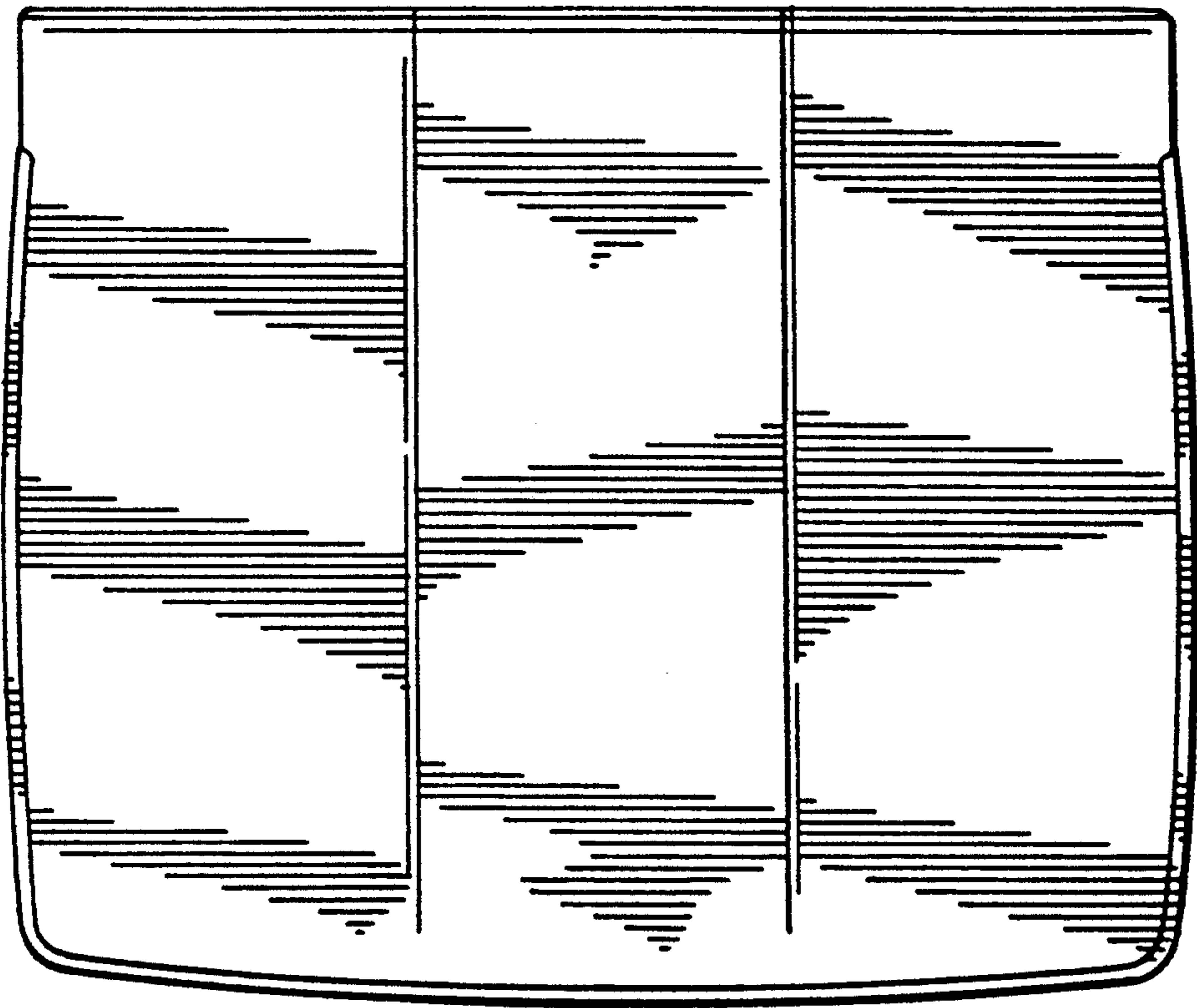


FIG. 1

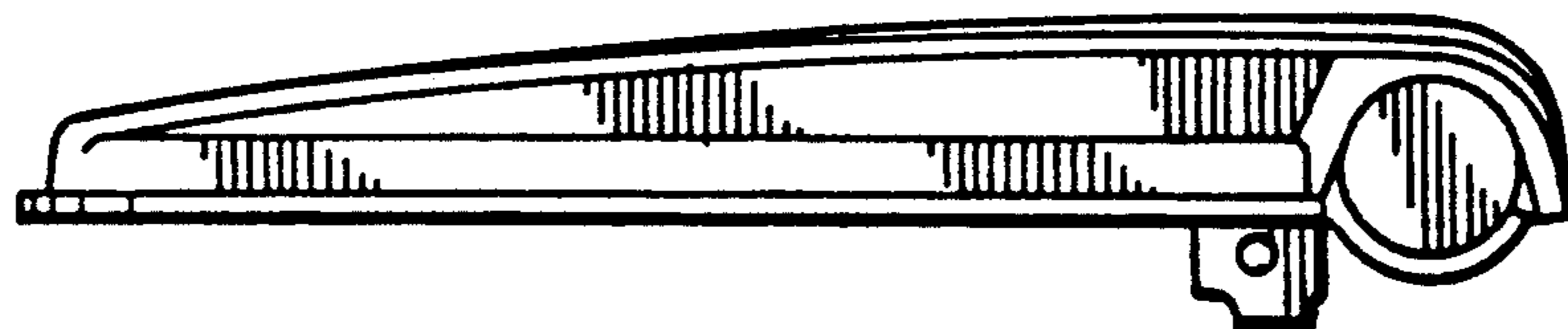


FIG. 2

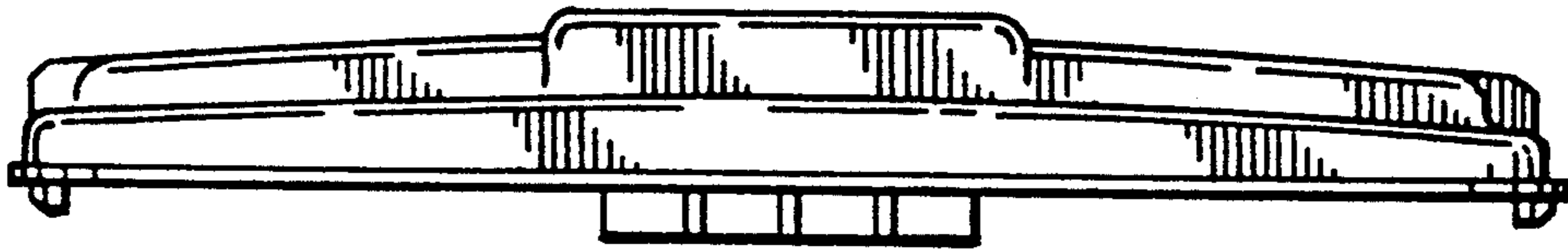


FIG. 3

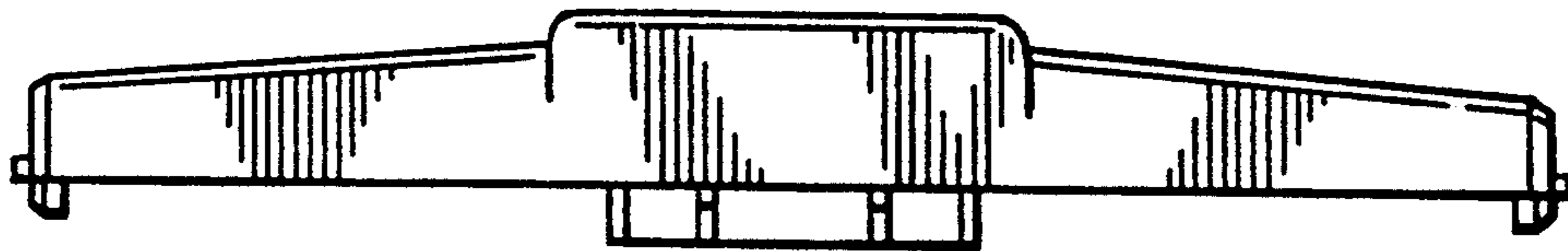


FIG. 4

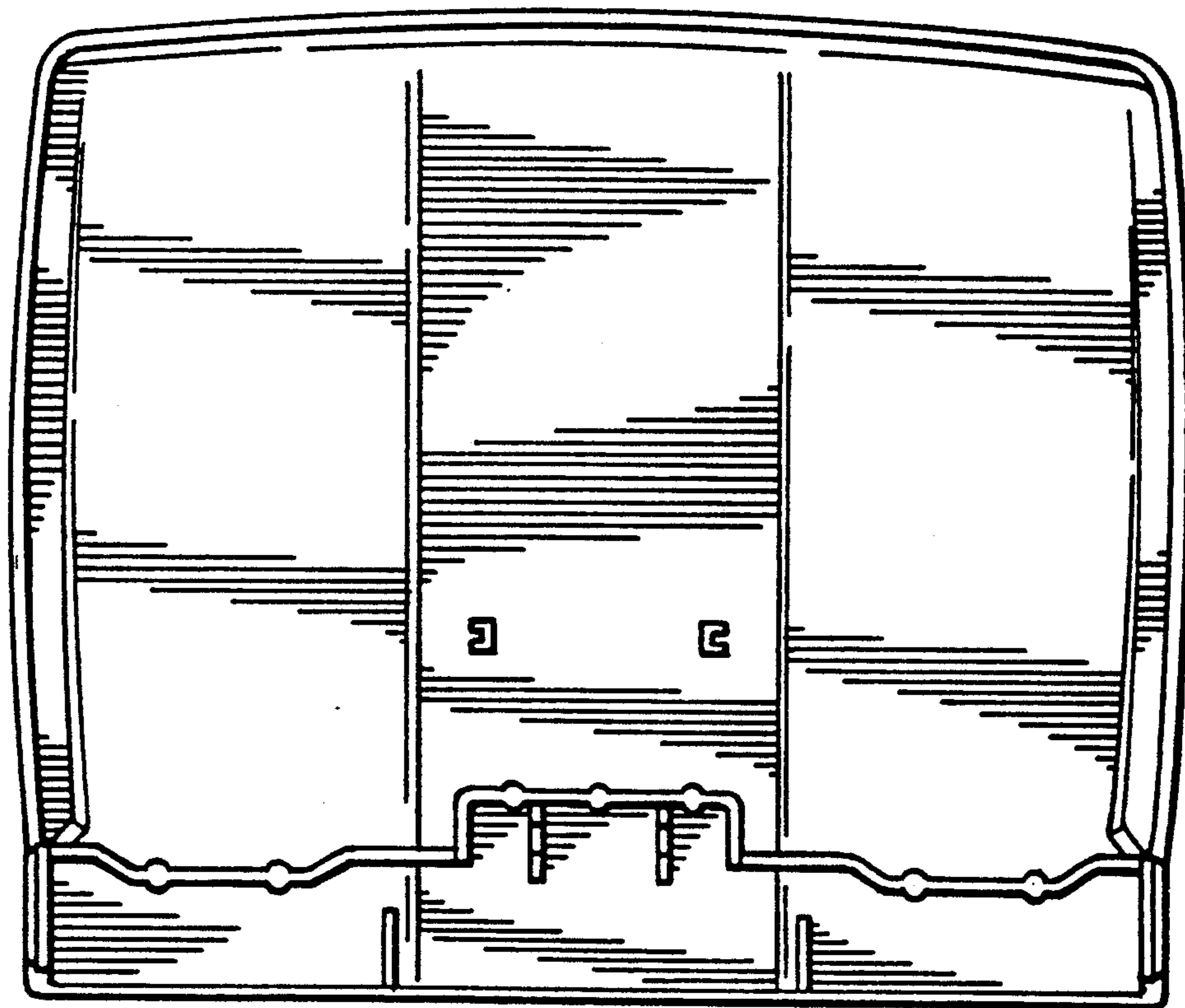


FIG. 5

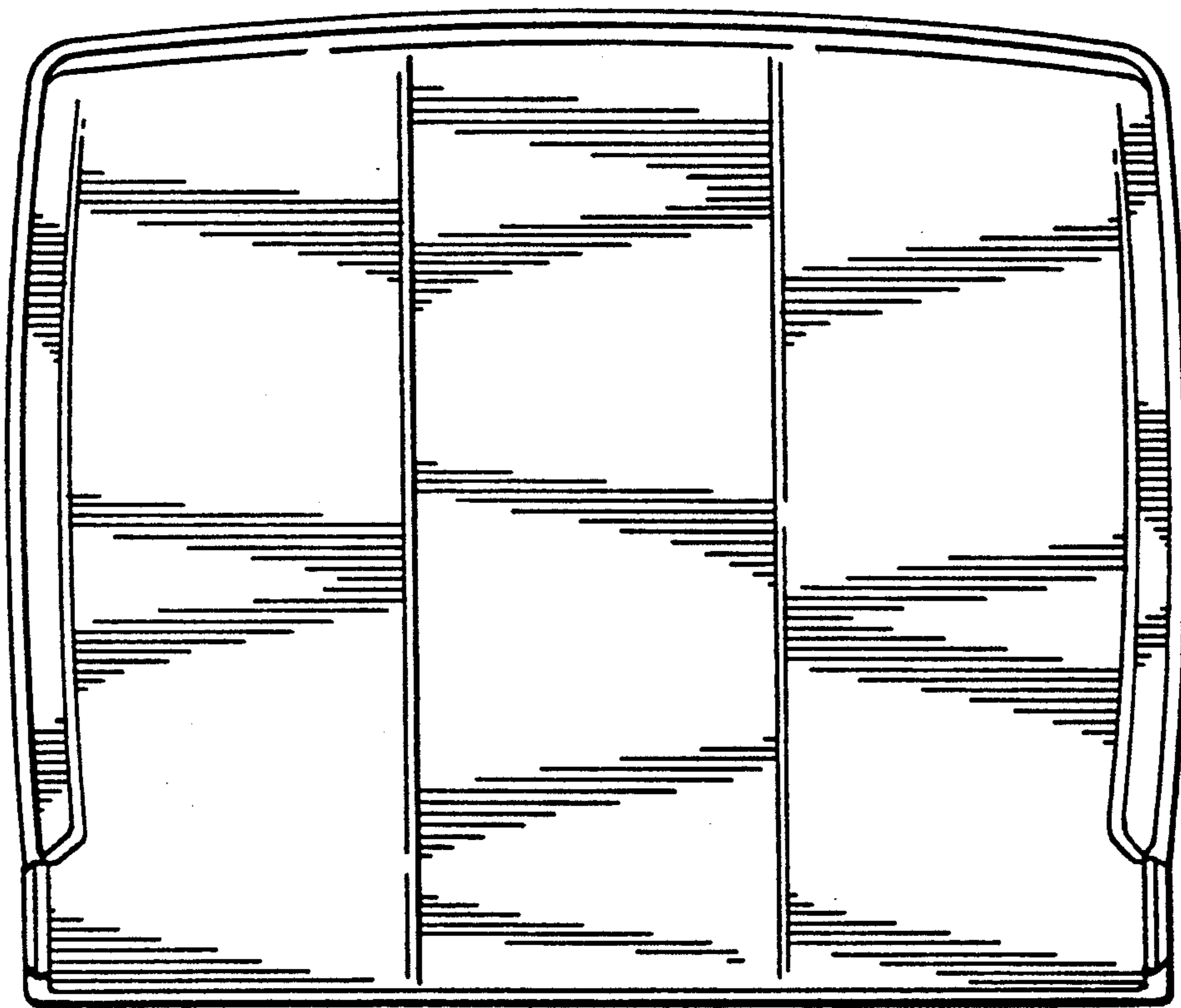


FIG. 6

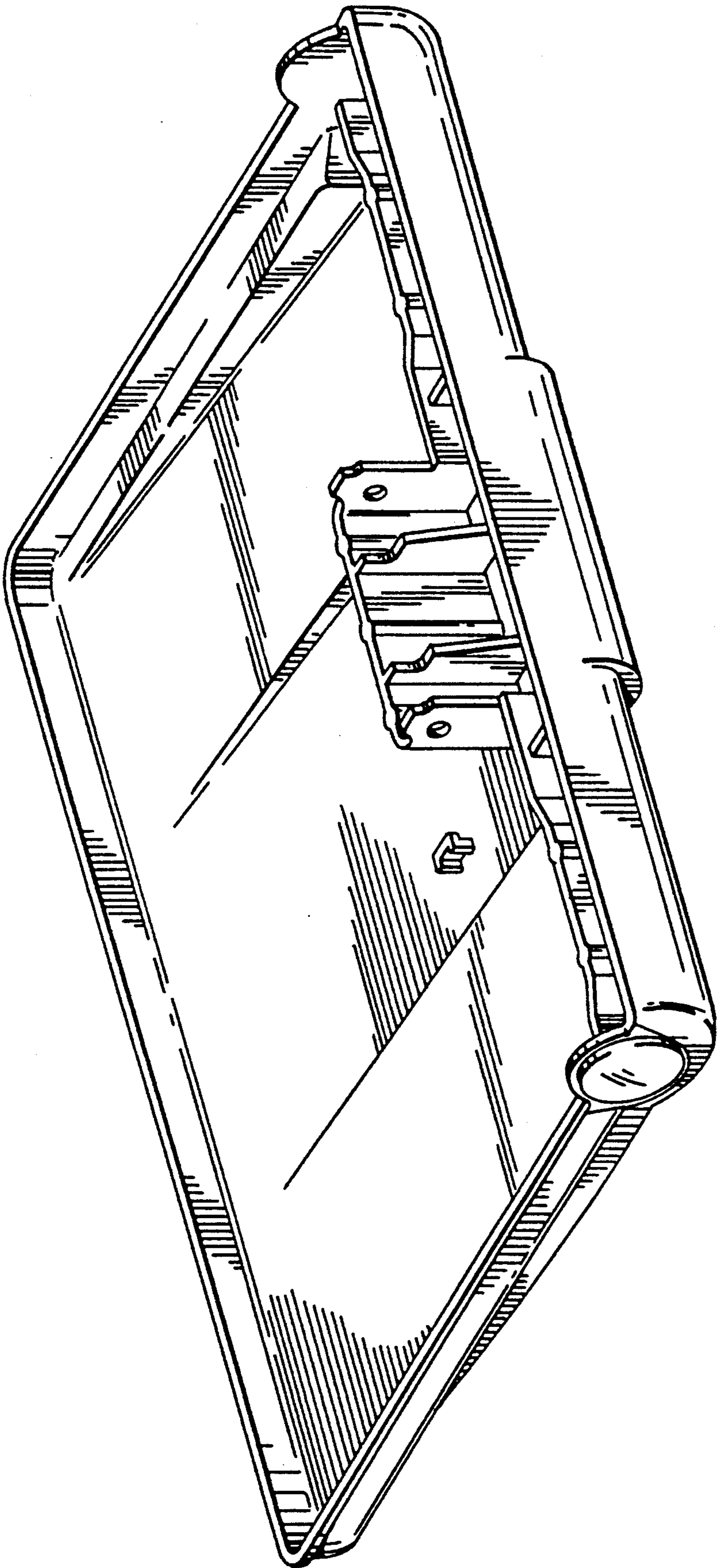


FIG. 7

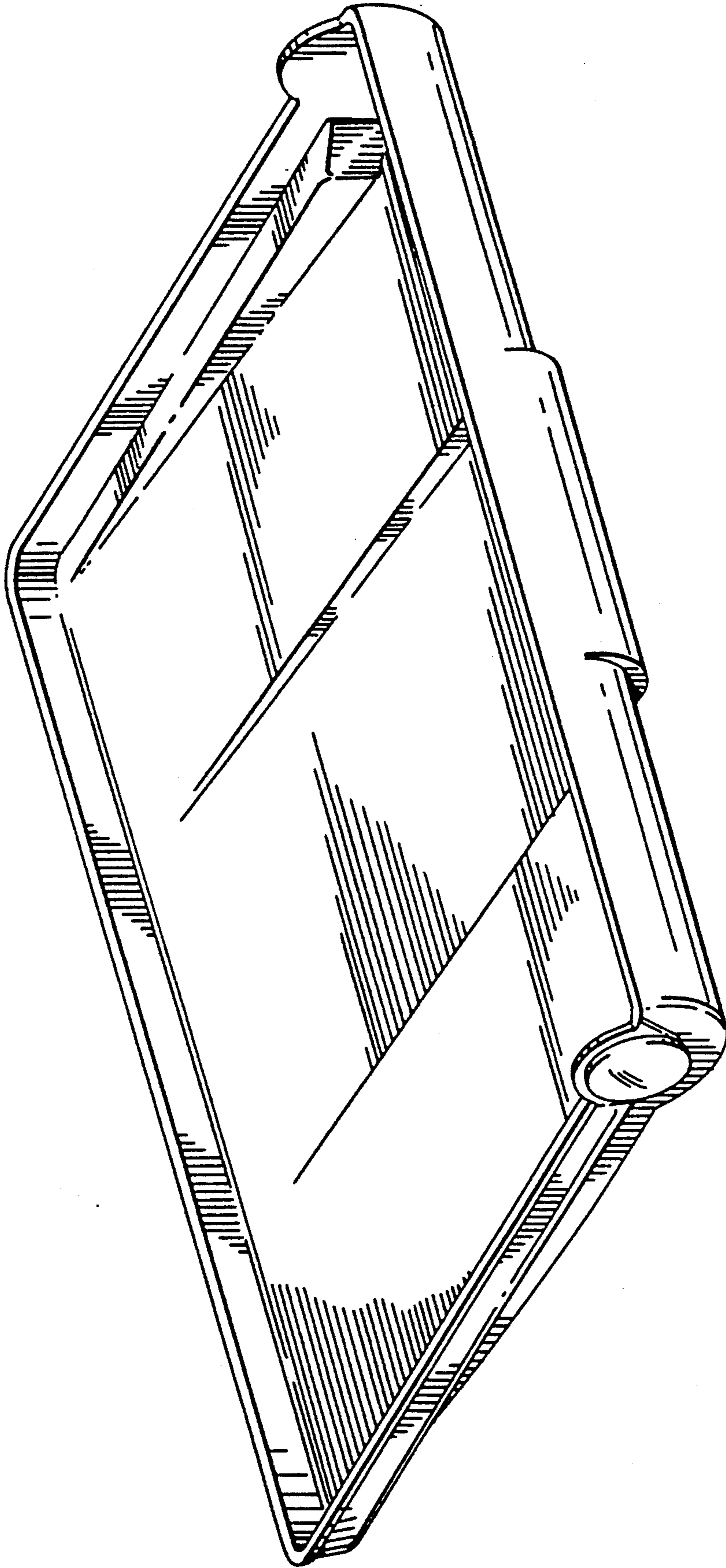


FIG. 8