



US00D335557S

**United States Patent** [19]  
**Overy et al.**

[11] **Patent Number: Des. 335,557**  
[45] **Date of Patent: \*\* May 11, 1993**

[54] **POWERHEAD FOR VACUUM CLEANER**

[56]

**References Cited**

**U.S. PATENT DOCUMENTS**

[75] **Inventors:** Colin Overy, North Augusta;  
Michael D. Dolson, Brockville; Ian F.  
Norton, Toronto, all of Canada;  
Donald V. Bailey, Canton, Ohio

D. 257,256 10/1980 Robinson ..... D32/33  
D. 261,268 10/1981 Rutter ..... D32/32  
D. 314,264 1/1991 Kim ..... D32/33  
D. 326,938 6/1992 Burns ..... D32/32

[73] **Assignee:** Black & Decker Inc., Newark, Del.

*Primary Examiner*—Louis S. Zarfes  
*Assistant Examiner*—Ruth McInroy  
*Attorney, Agent, or Firm*—Barry E. Deutsch

[\*\*] **Term:** 14 Years

[57] **CLAIM**

The ornamental design for a powerhead for a vacuum cleaner, as shown and described.

[21] **Appl. No.:** 600,355

**DESCRIPTION**

[22] **Filed:** Oct. 19, 1990

FIG. 1 is a top plan view of a powerhead for a vacuum cleaner, showing our new design;  
FIG. 2 is a front elevational view thereof;  
FIG. 3 is a right side elevational view thereof;  
FIG. 4 is a left side elevational view thereof;  
FIG. 5 is a rear elevational view thereof;  
FIG. 6 is a bottom plan view thereof; and,  
FIG. 7 is a top, front and right side perspective view, thereof.

[30] **Foreign Application Priority Data**

May 15, 1990 [CA] Canada ..... 15-05-90-8

[52] **U.S. Cl.** ..... D32/32

[58] **Field of Search** ..... D32/22, 31-33;  
15/322, 354, 362, 412, 415.1-422.1

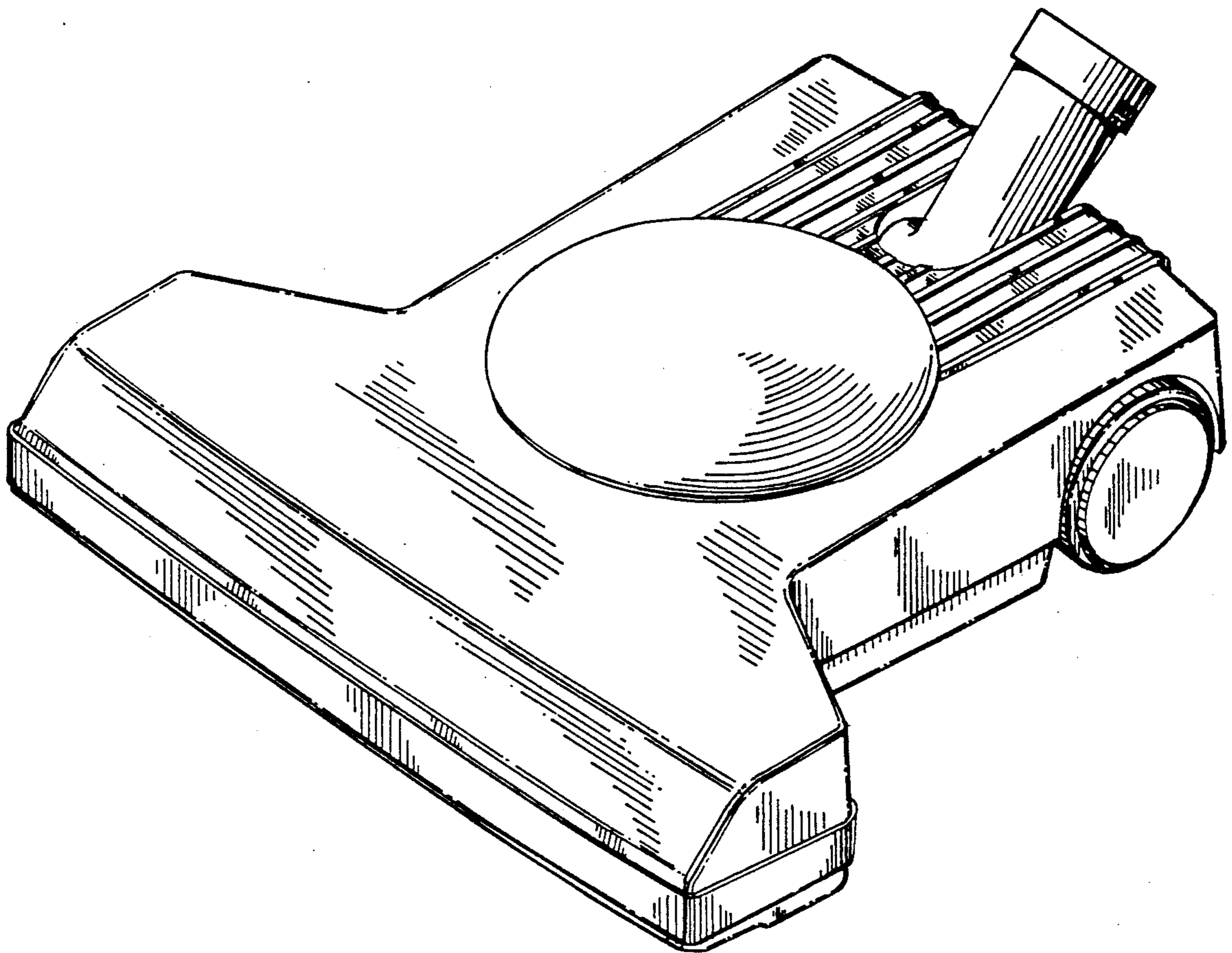


FIG. 1

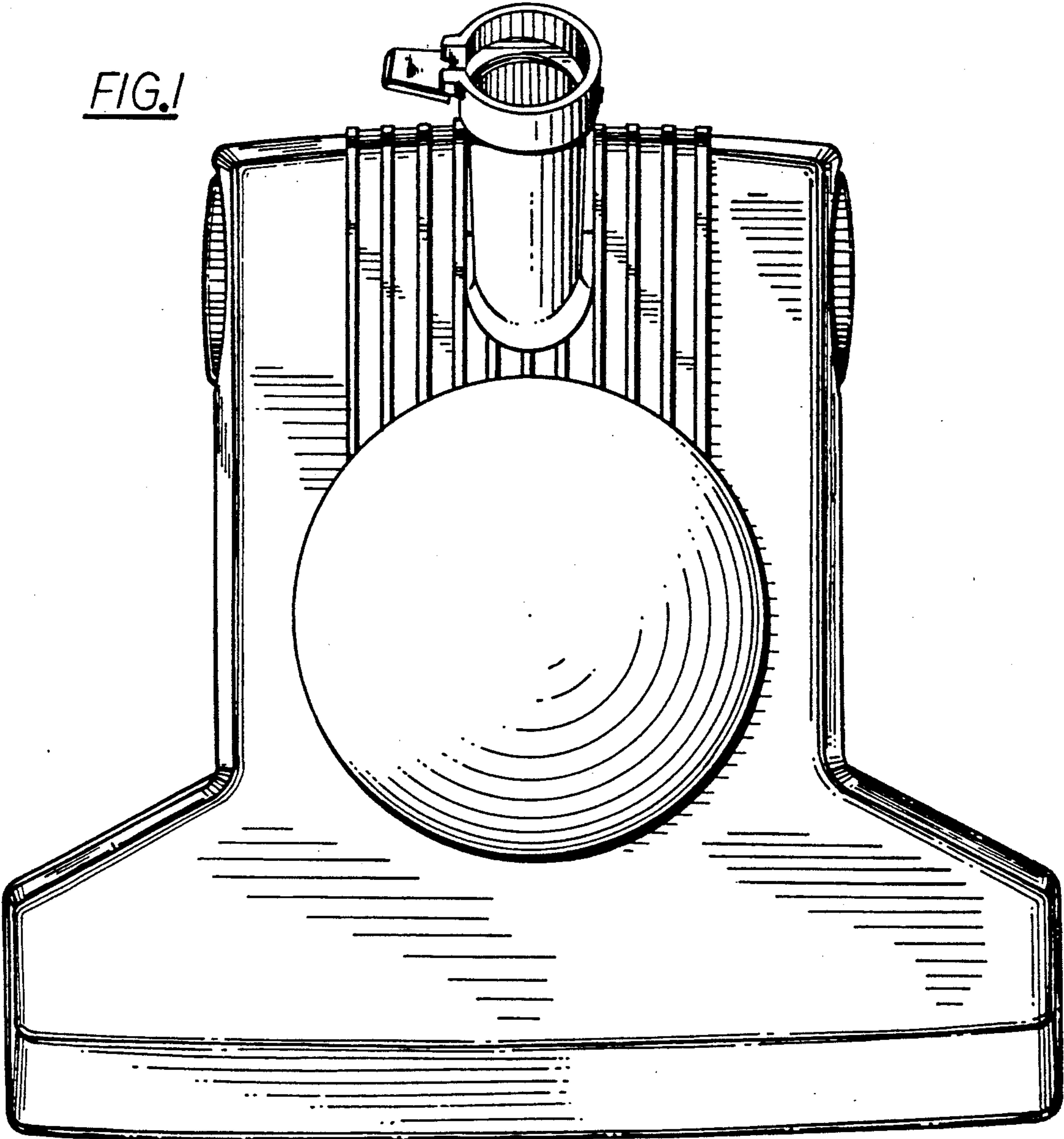


FIG. 2

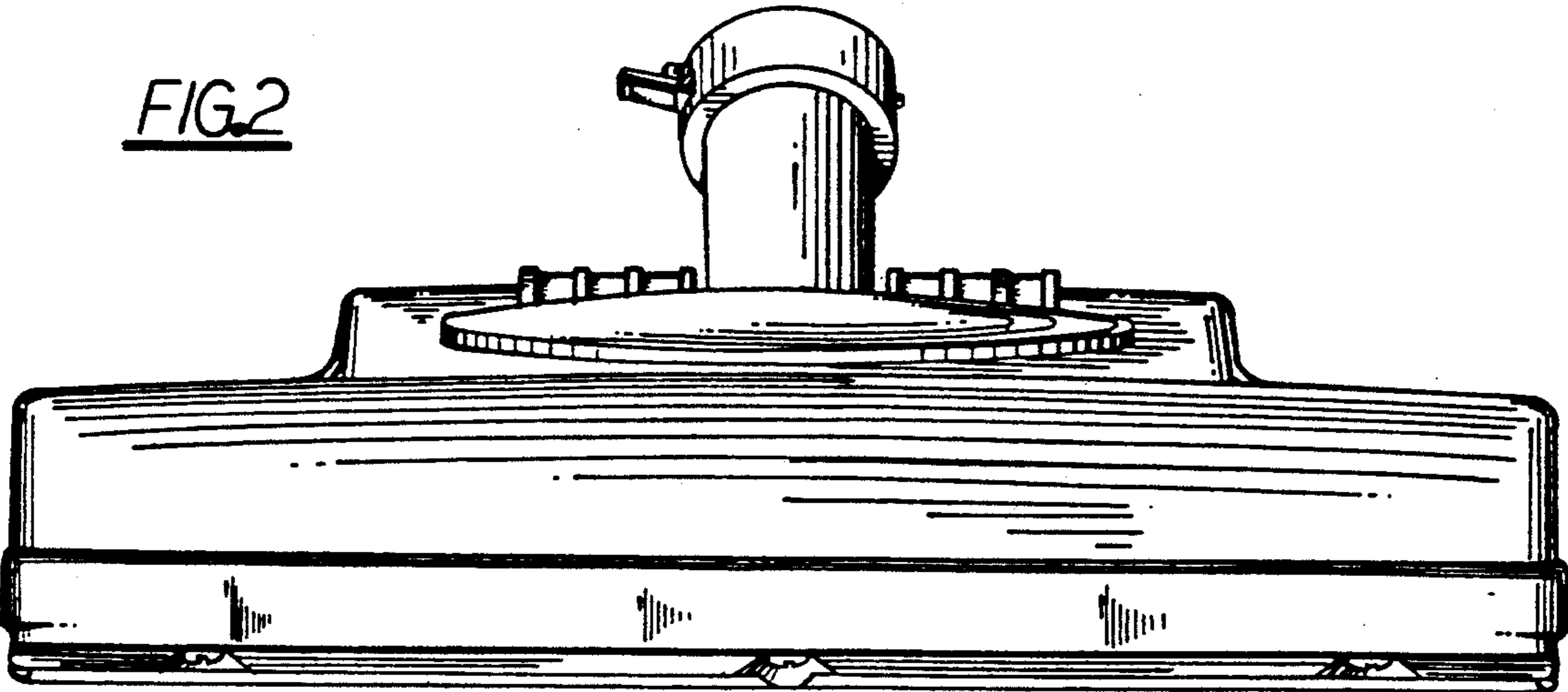


FIG.3

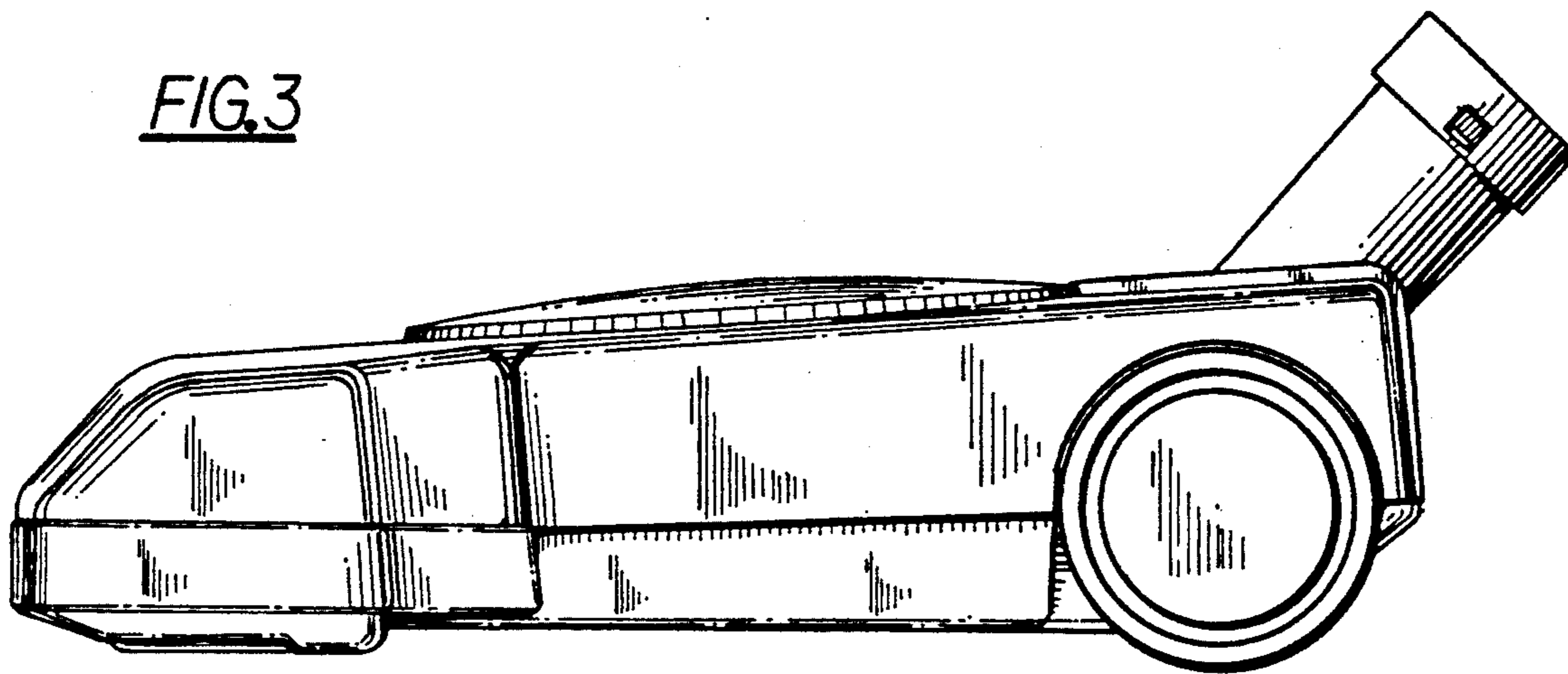


FIG.4

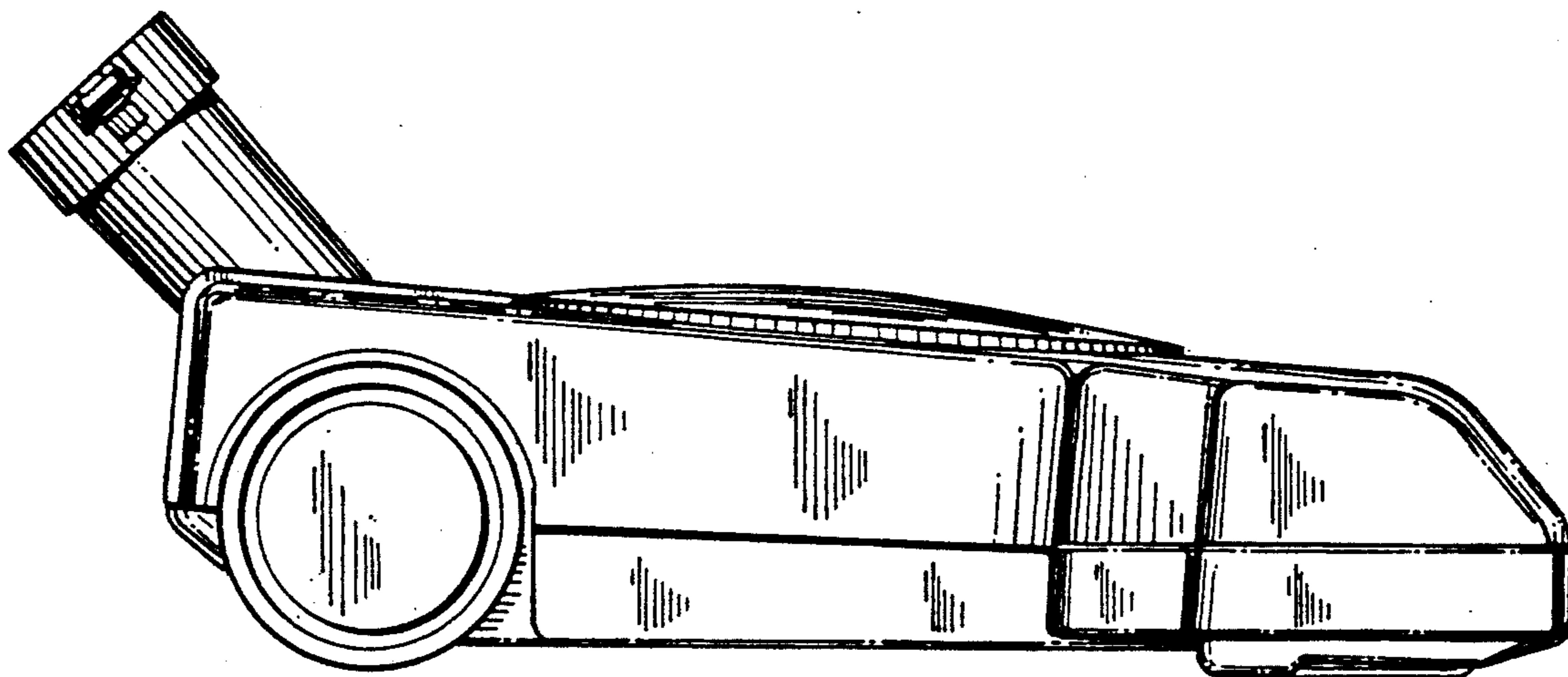


FIG.5

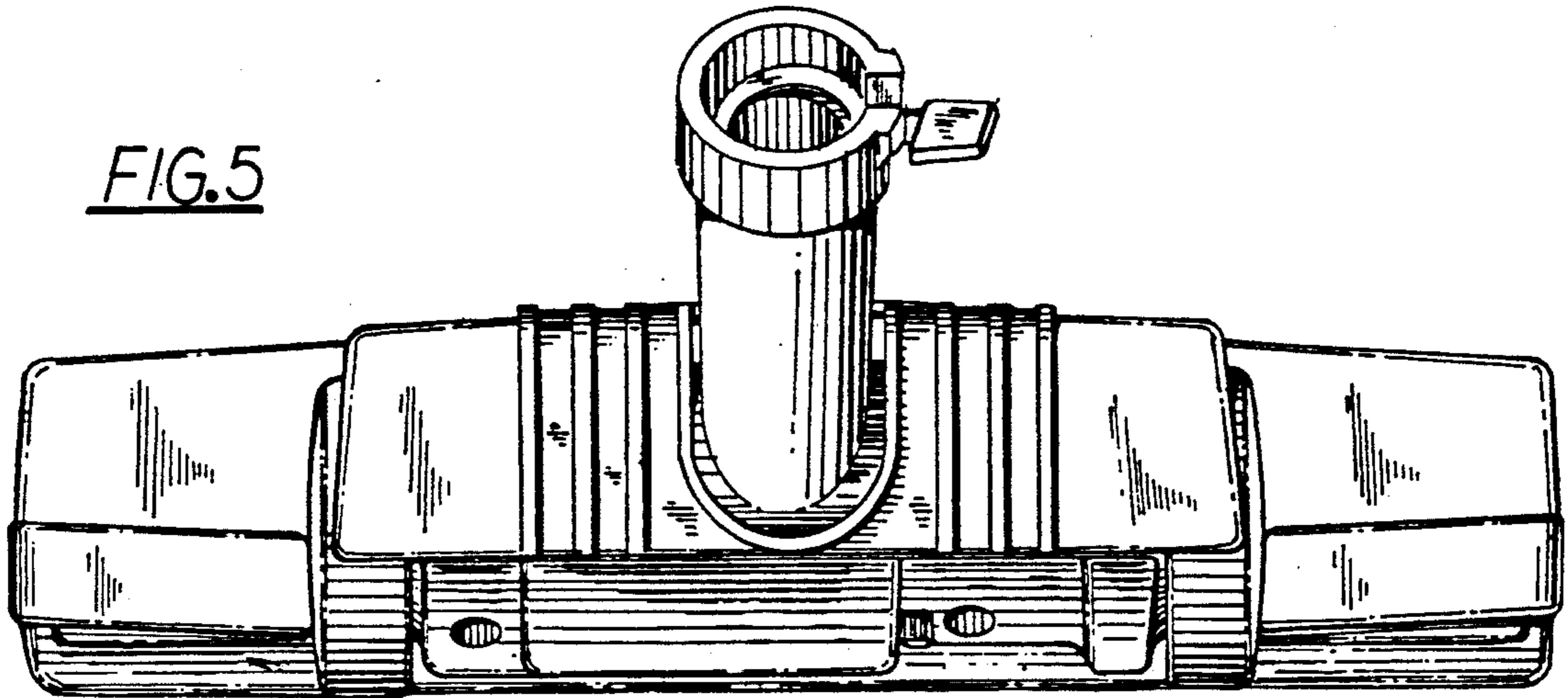
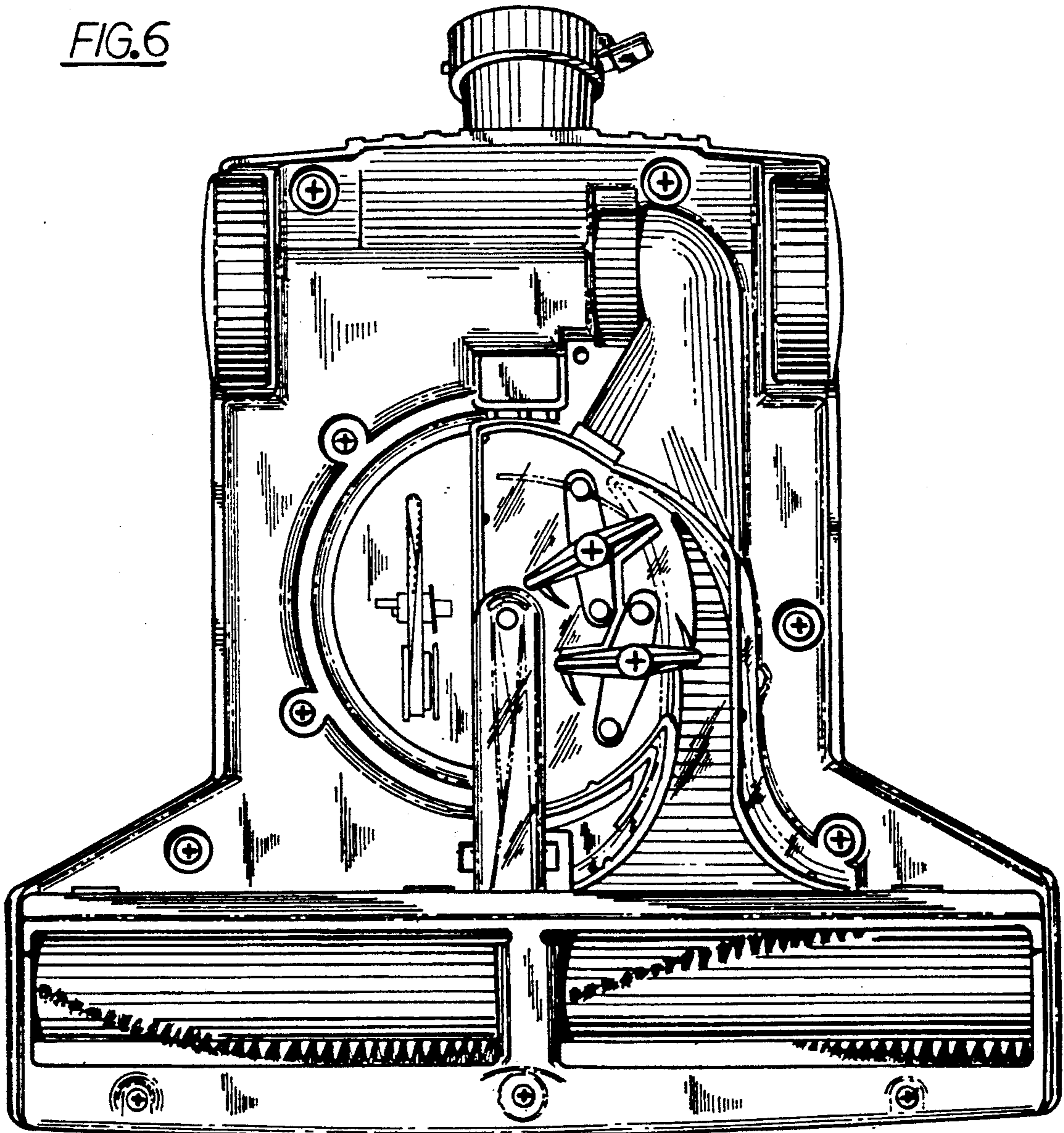


FIG.6



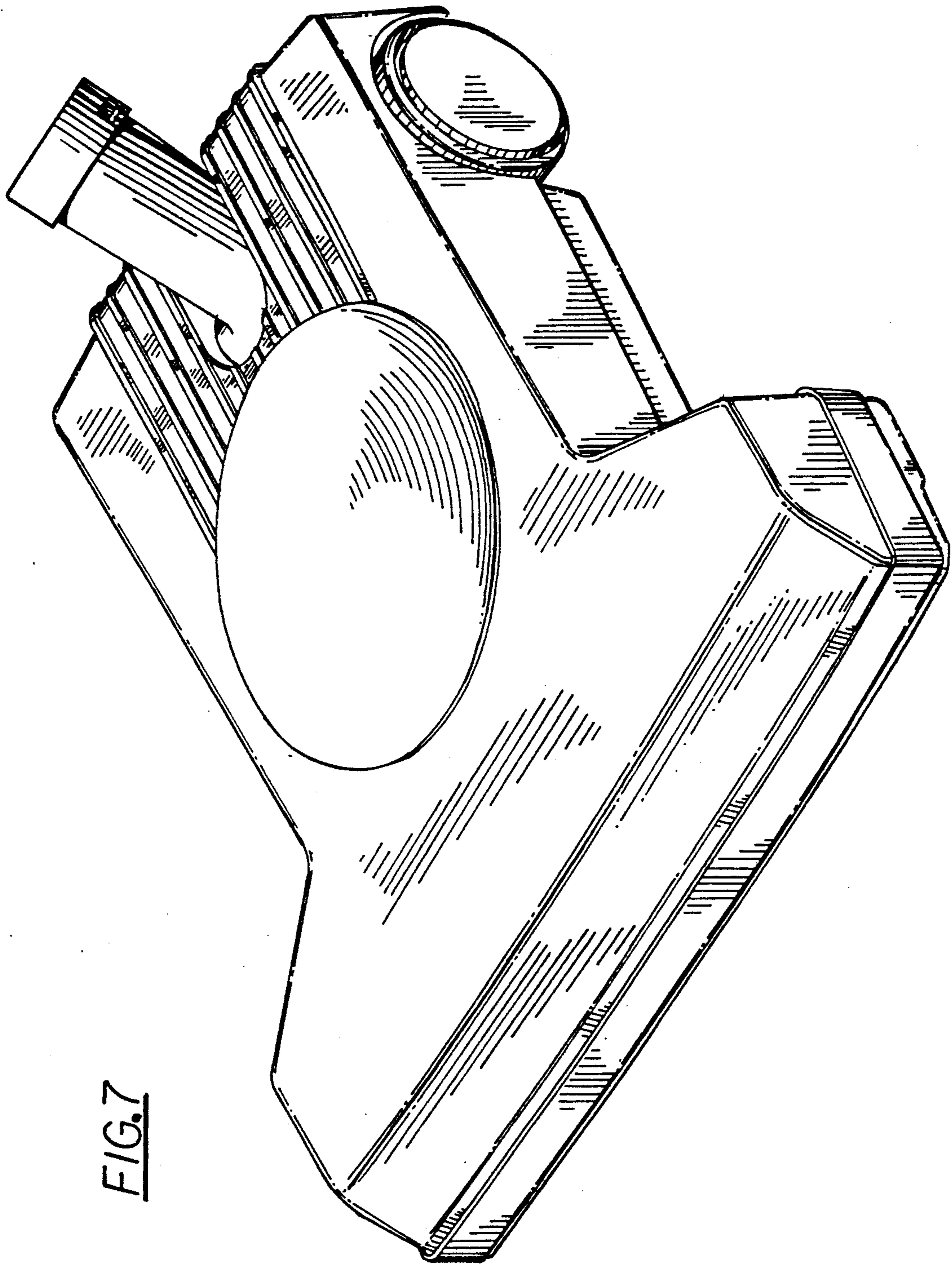


FIG. 7