



US00D335555S

United States Patent [19]

[11] Patent Number: **Des. 335,555**

Reath

[45] Date of Patent: **** May 11, 1993**

[54] SELF CONTAINED COMPACT VACUUM AND EXTRACTOR

[75] Inventor: **Brenda L. Reath, Grand Rapids, Mich.**

[73] Assignee: **Bissell Inc., Grand Rapids, Mich.**

[**] Term: **14 Years**

[21] Appl. No.: **753,683**

[22] Filed: **Sep. 3, 1991**

[52] U.S. Cl. **D32/21**

[58] Field of Search **D32/21, 23-24; 15/327.1, 327.2, 327.6, 327.4, 327.7, 320, 321**

[56] References Cited

U.S. PATENT DOCUMENTS

D. 258,064	1/1981	Pearman, Jr.	D32/23
D. 280,768	9/1985	Ferraris et al.	D32/23
D. 283,065	3/1986	Maier	D32/23
D. 296,945	7/1988	Erickson, Jr.	D32/23
D. 324,930	3/1992	Pino	D32/23

OTHER PUBLICATIONS

Do it yourself retailing, Nov. 1986, no page # "Shop vac wet dry vacuum cleaners".

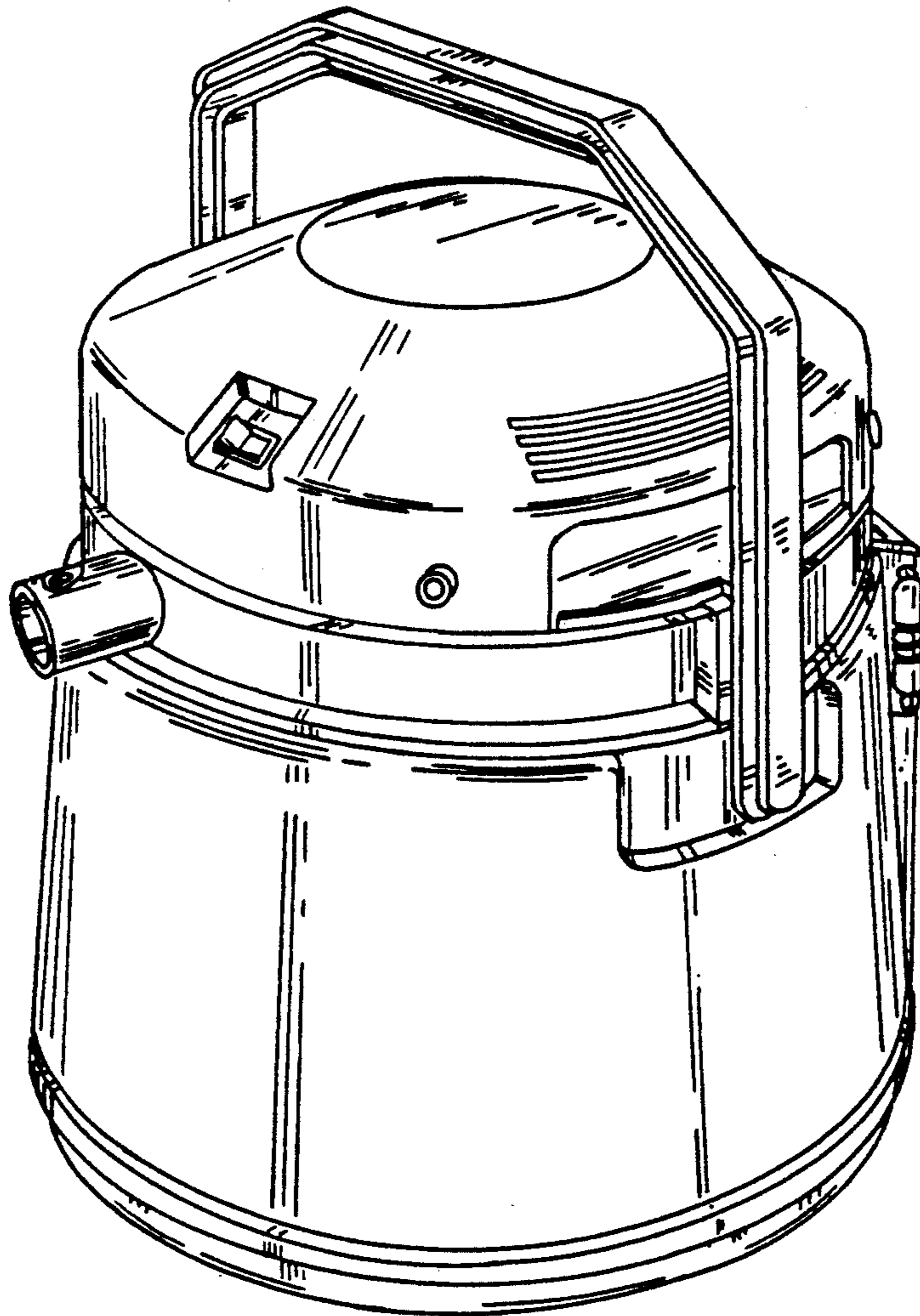
Primary Examiner—A. Hugo Word
Assistant Examiner—Ruth McInroy
Attorney, Agent, or Firm—Price, Heneveld, Cooper, DeWitt & Litton

[57] CLAIM

The ornamental design for a self contained, compact vacuum and extractor, as shown and described.

DESCRIPTION

FIG. 1 is a front perspective view of a self contained compact vacuum extractor showing my new design; FIG. 2 is a front elevational view thereof; FIG. 3 is a rear elevational view thereof; FIG. 4 is a top plan view thereof; FIG. 5 is a bottom plan view thereof; FIG. 6 is a right side elevational view thereof; and, FIG. 7 is a left side elevational view thereof.



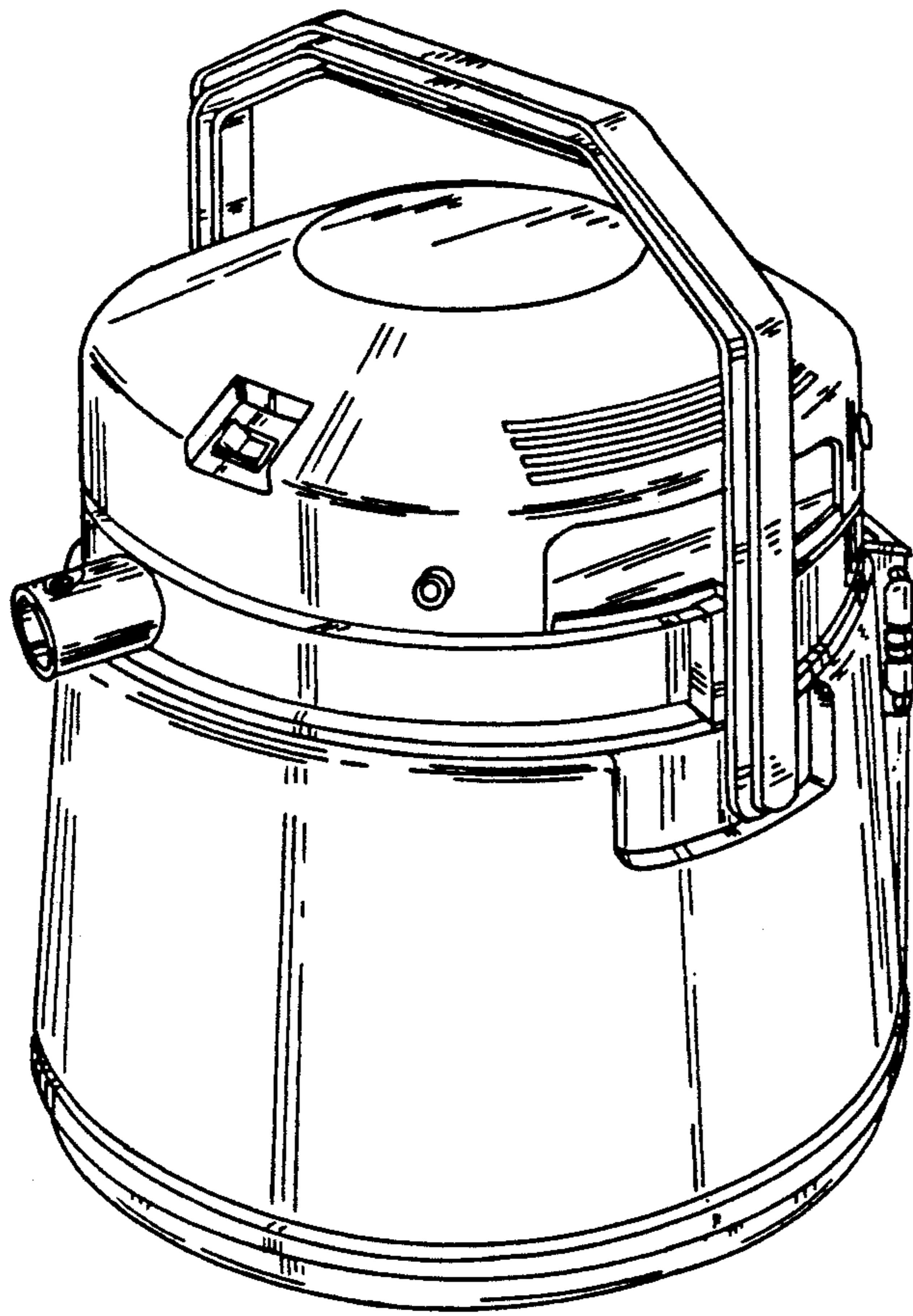


FIG. 1

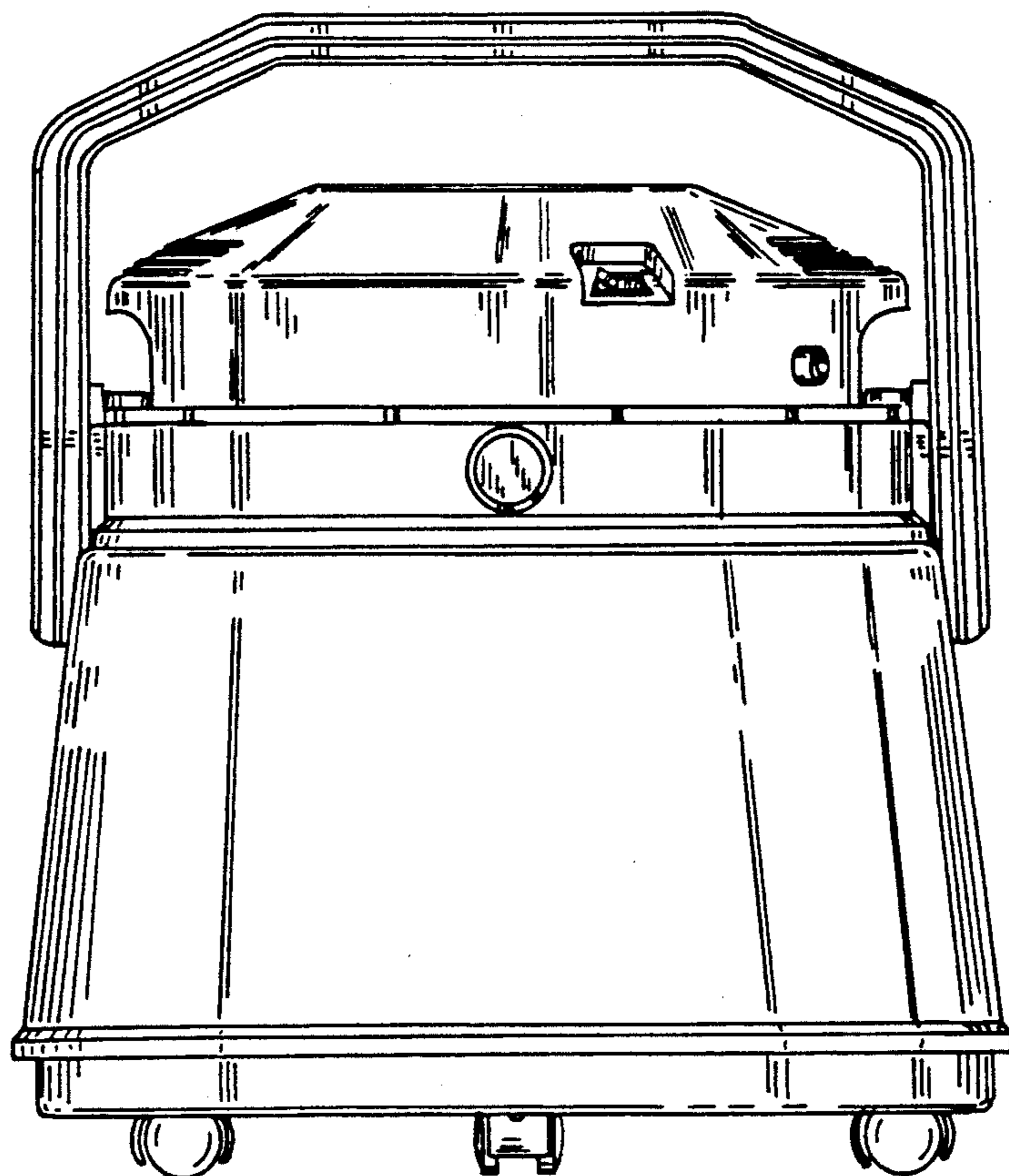


FIG. 2

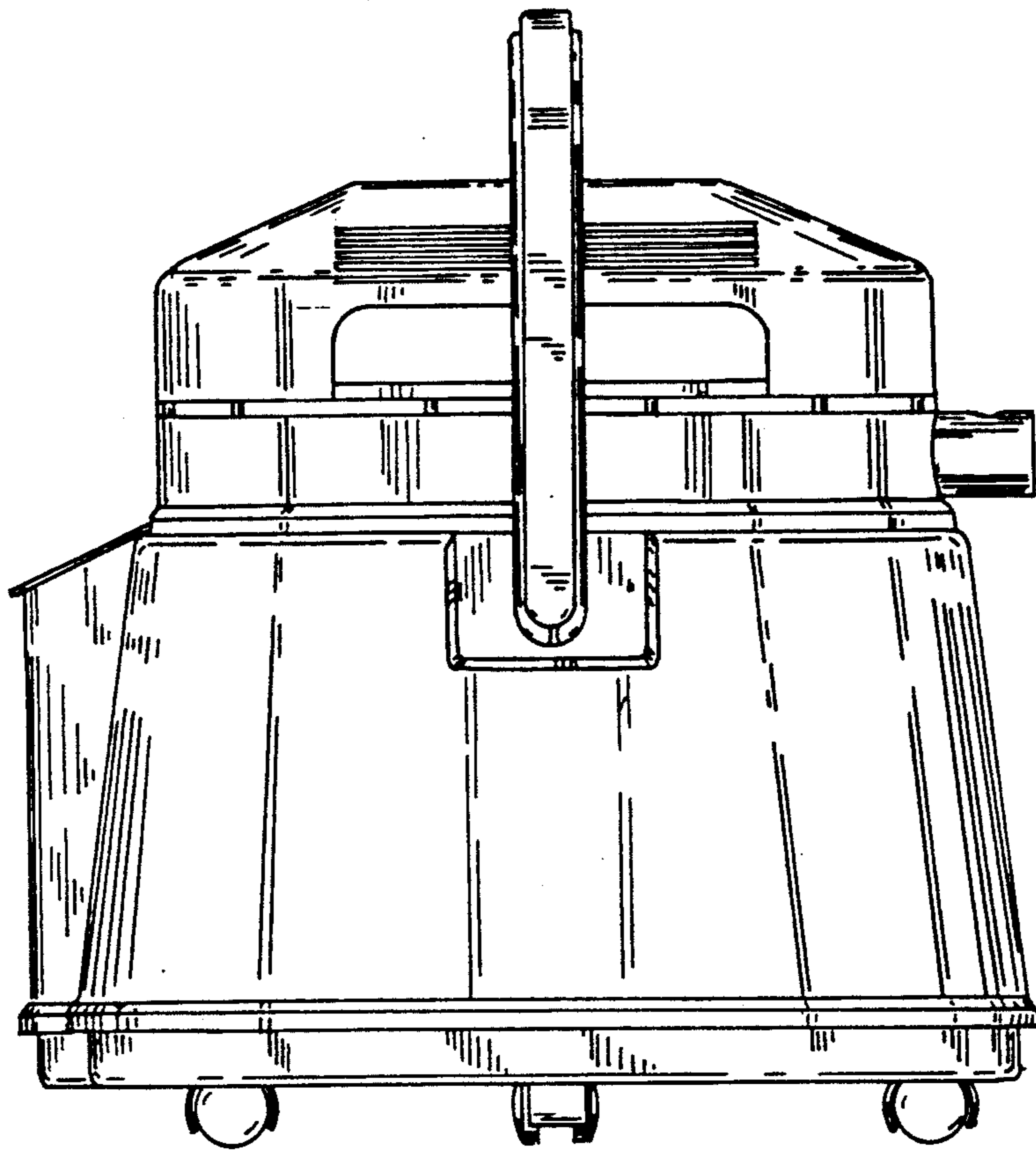


FIG. 6

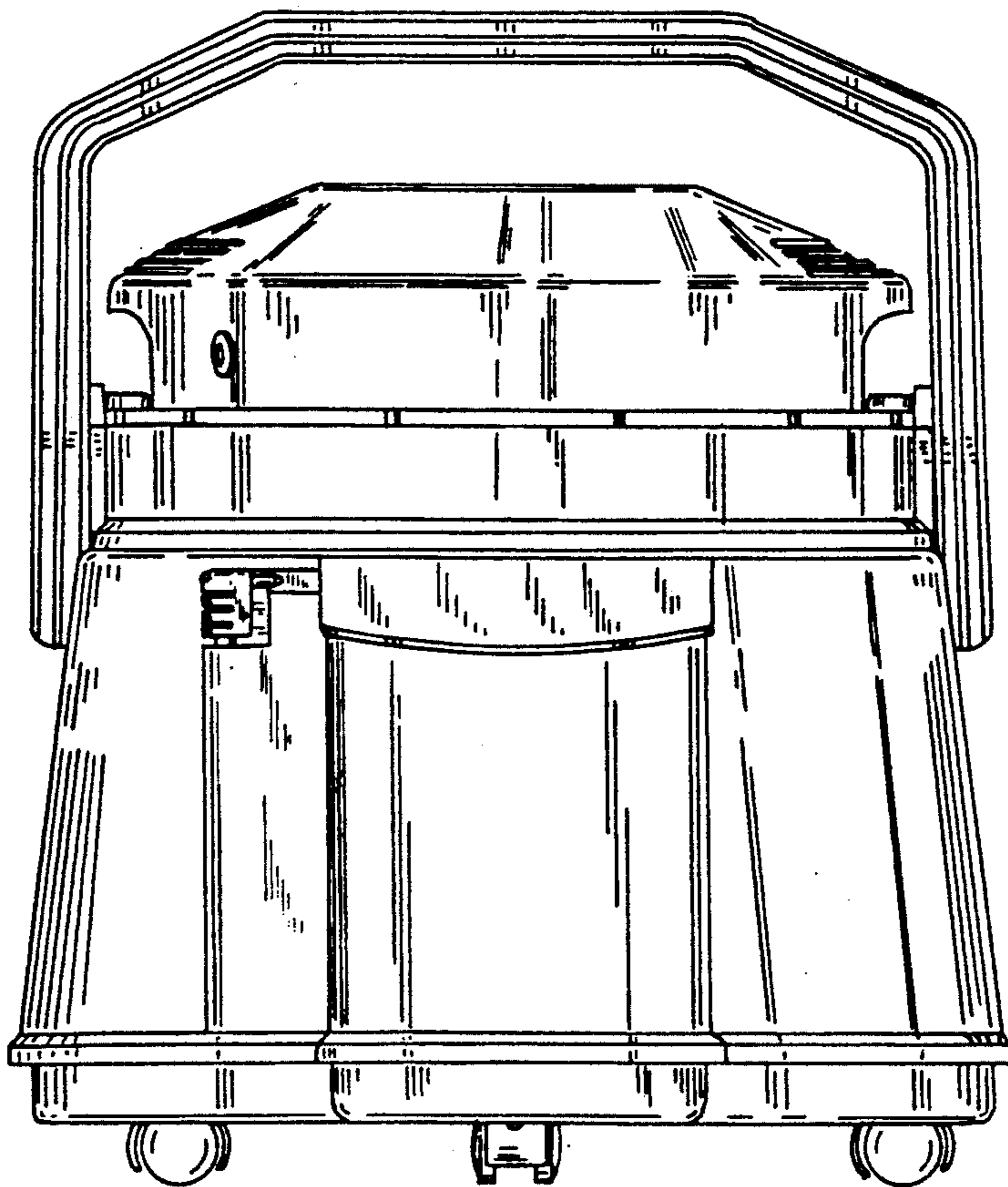


FIG. 3

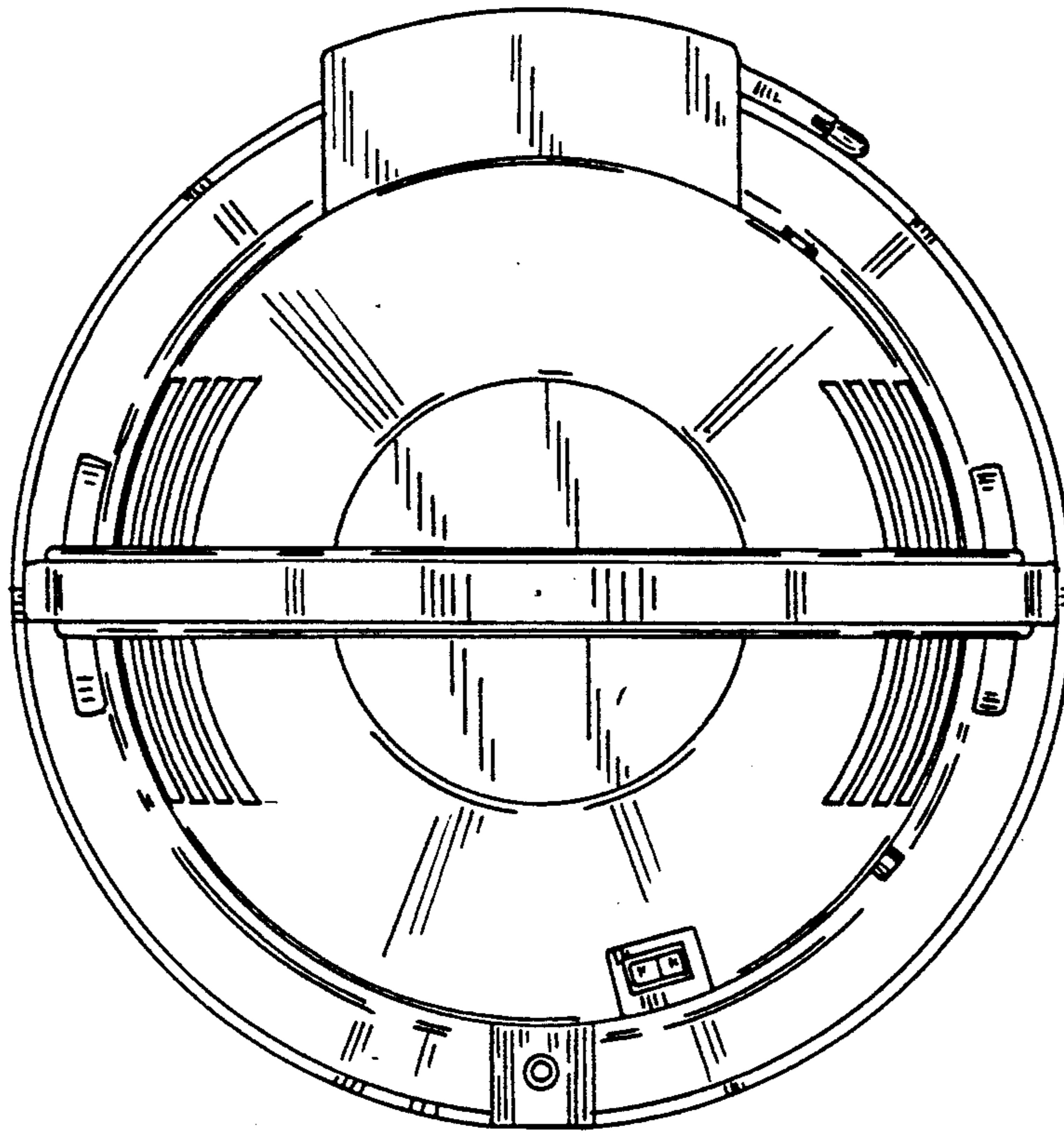


FIG. 4

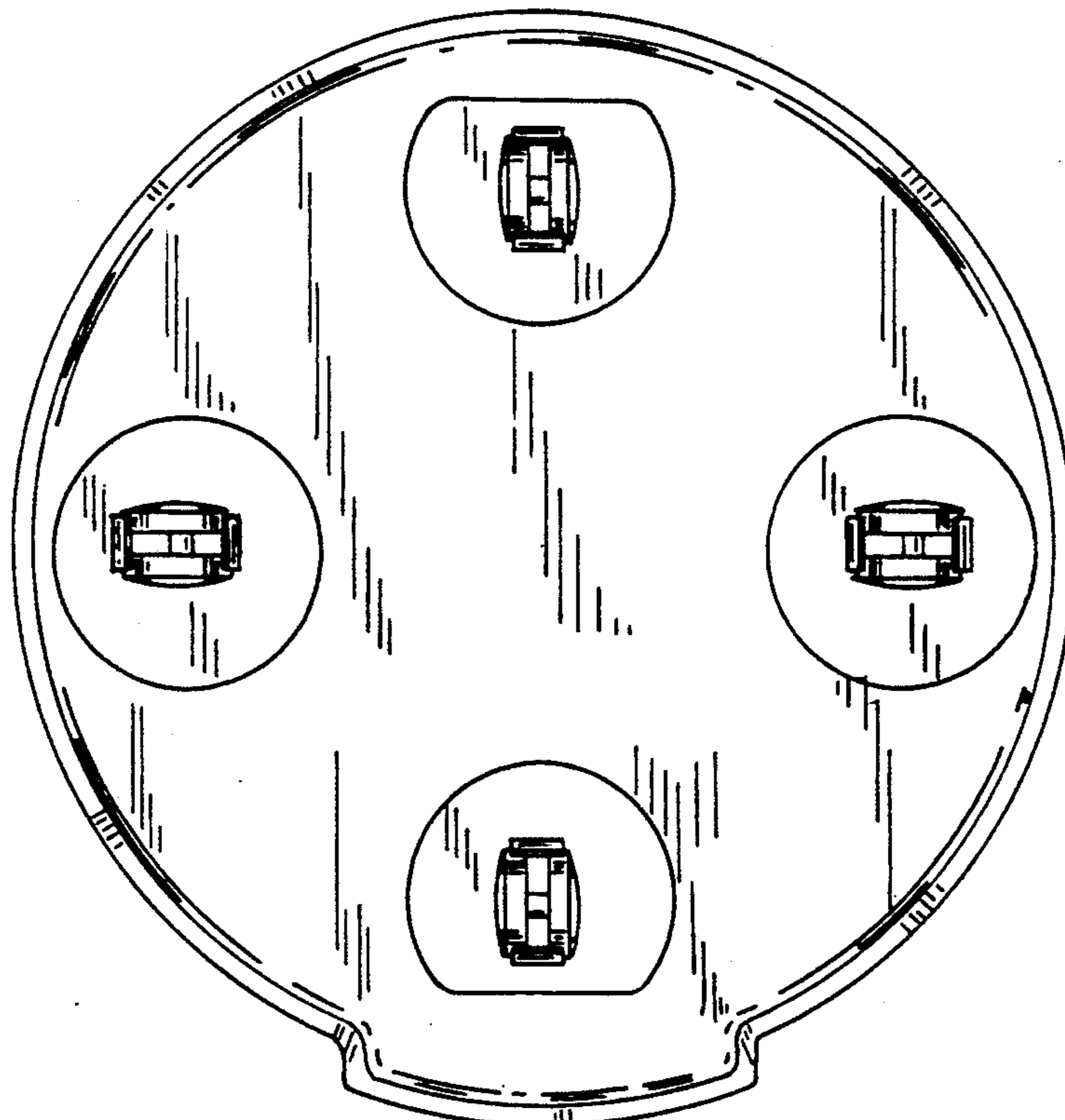


FIG. 5

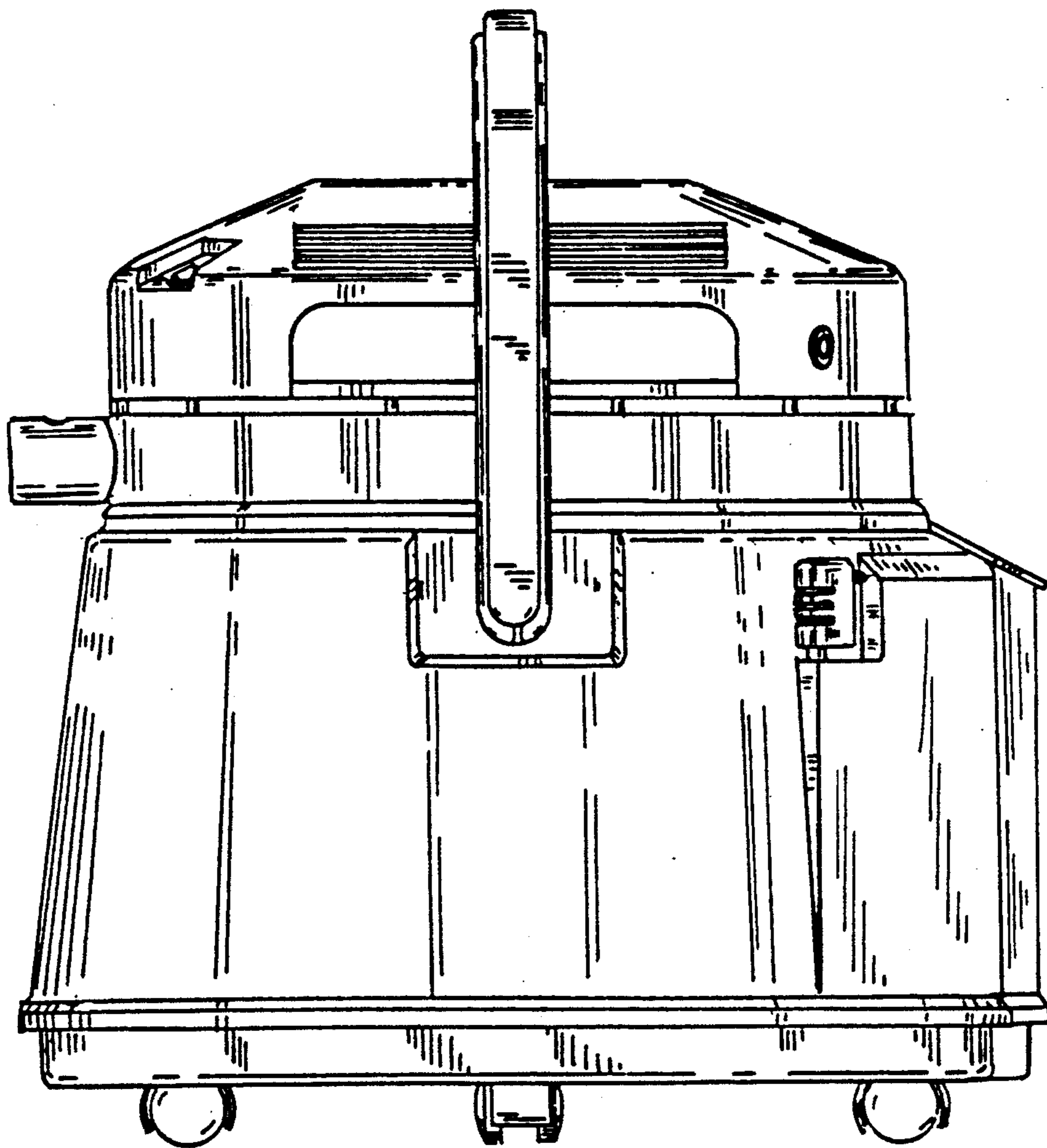


FIG. 7