



US00D33552S

United States Patent [19]

Kohnke

[11] Patent Number: **Des. 335,552**

[45] Date of Patent: **** May 11, 1993**

[54] **DISPOSABLE RESUSCITATOR**

[75] Inventor: **Ole B. Kohnke**, Lyngby, Denmark

[73] Assignee: **AMBU International A/S**, Glostrup, Denmark

3,262,446 7/1966 Stoner 128/205.13
 4,374,521 2/1983 Nelson et al. 128/205.13
 4,532,923 8/1985 Flynn 128/205.13

[**] Term: **14 Years**

[21] Appl. No.: **304,112**

[22] Filed: **Jan. 31, 1989**

FOREIGN PATENT DOCUMENTS

2139099 11/1984 United Kingdom 128/205.13

Primary Examiner—Kay H. Chin
Attorney, Agent, or Firm—Watson, Cole, Grindle & Watson

[30] **Foreign Application Priority Data**

Nov. 4, 1988 [DK] Denmark 1322/88

[52] U.S. Cl. **D29/7**

[58] Field of Search D29/6, 7; 128/205.13, 128/205.15, 205.17

[57] CLAIM

The ornamental design for a disposable resuscitator, as shown and described.

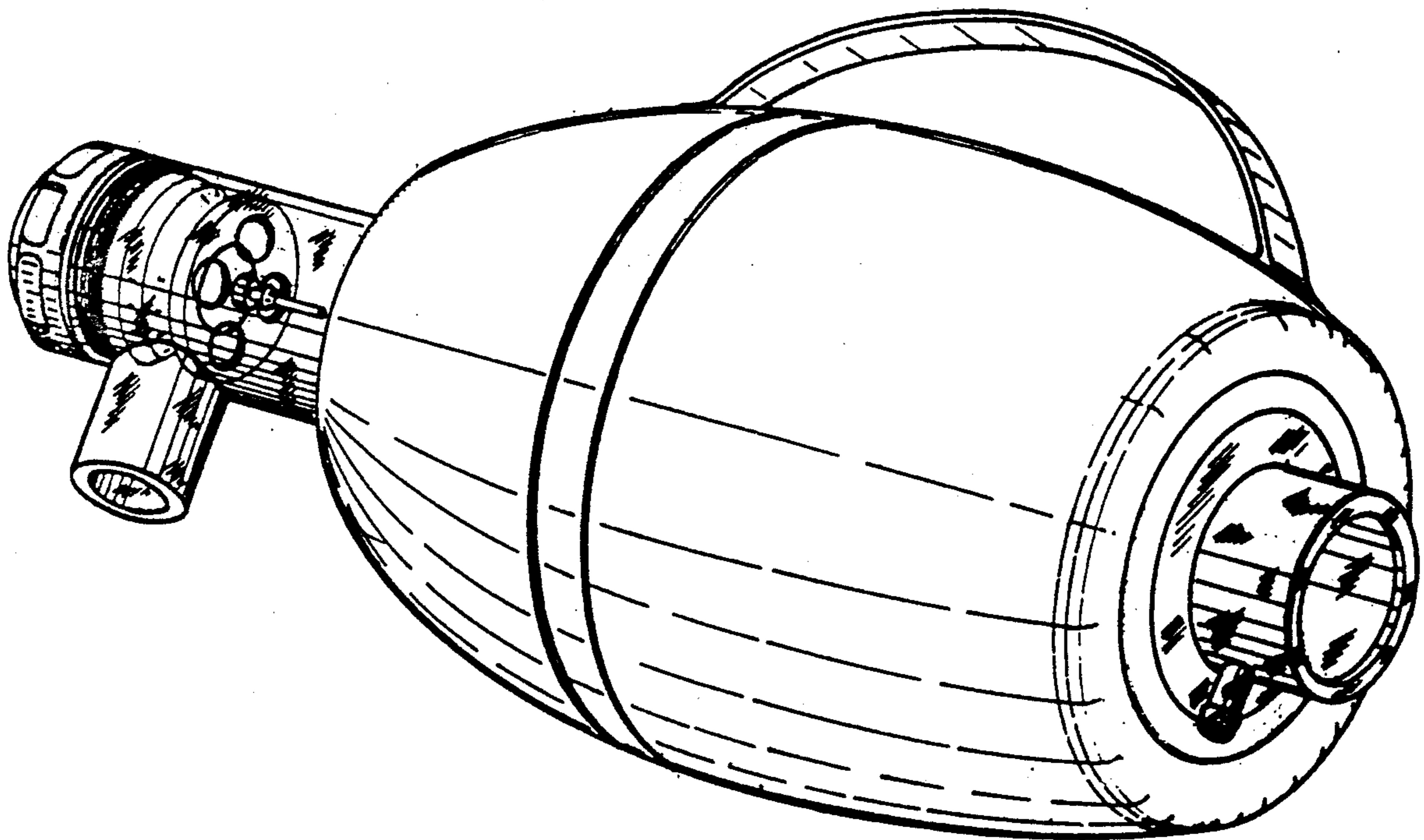
DESCRIPTION

FIG. 1 is a top plan view of a disposable resuscitator showing my new design;
 FIG. 2 is a side elevational view thereof, the opposite side elevational view being a mirror image of that shown; and,
 FIG. 3 is a front and bottom perspective view thereof.

[56] **References Cited**

U.S. PATENT DOCUMENTS

3,196,866 7/1965 Adams D29/7



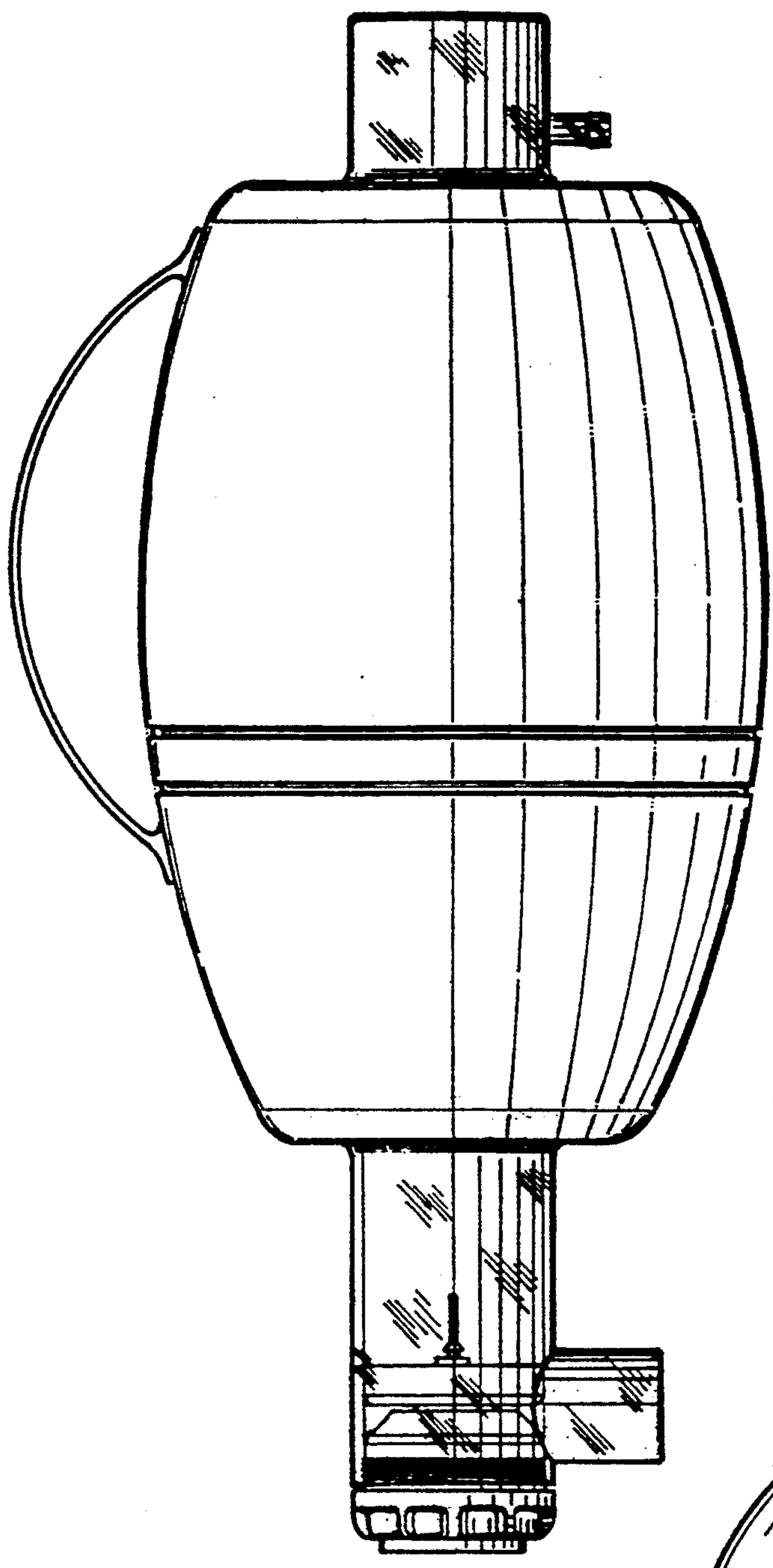


FIG. 2

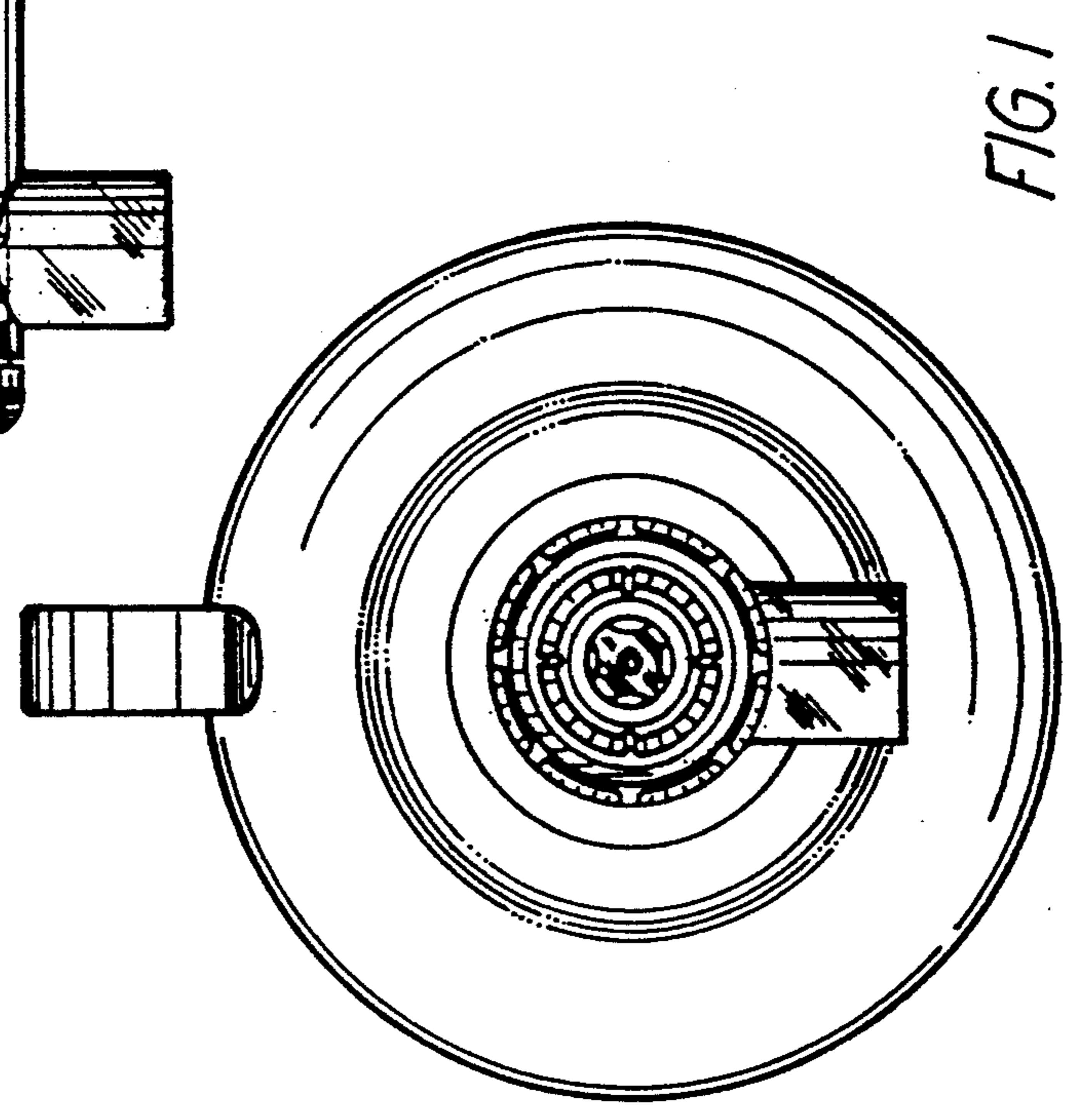


FIG. 1

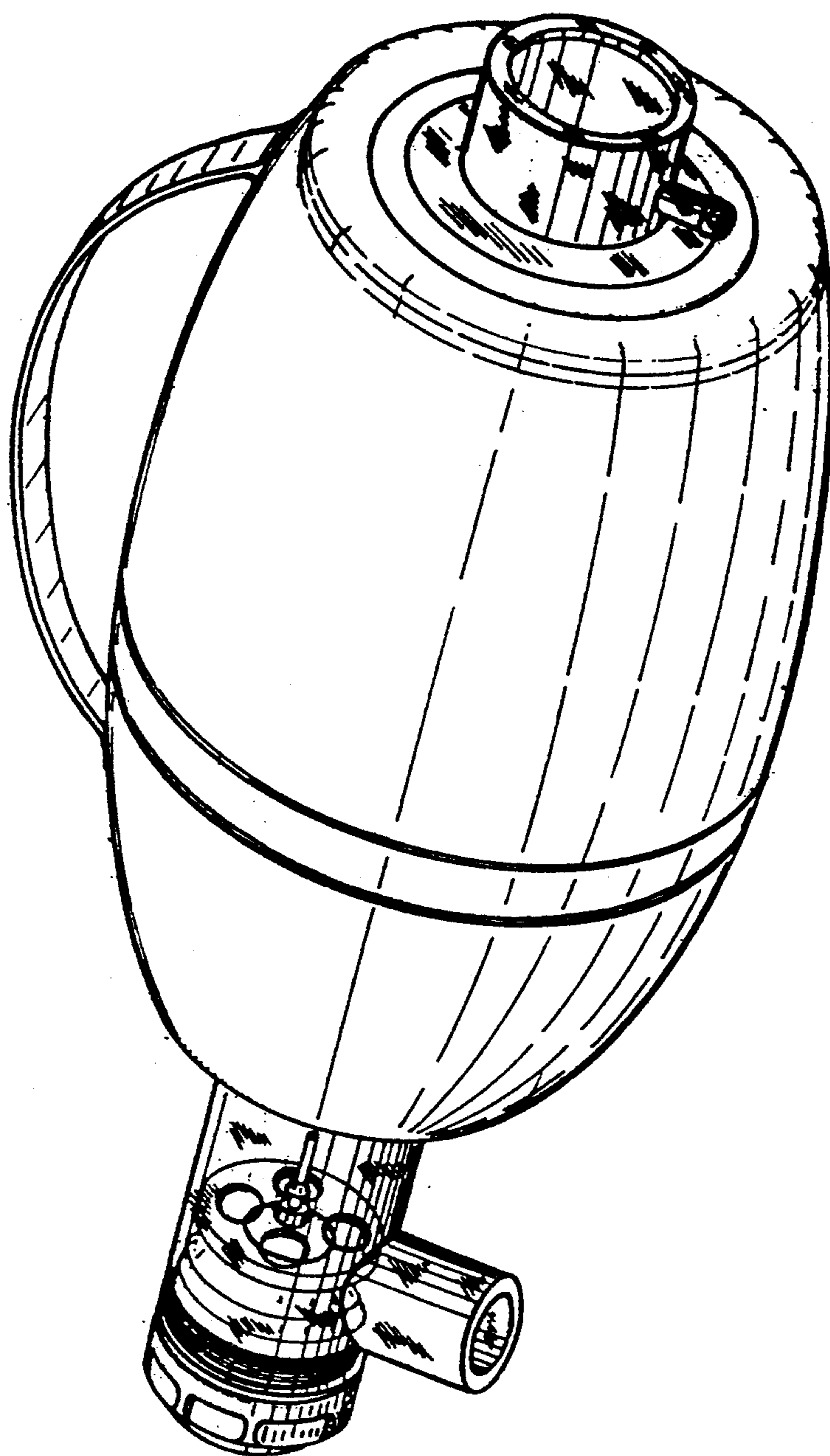


FIG. 3