



US00D335550S

United States Patent [19]

[11] Patent Number: **Des. 335,550**

Neustadt

[45] Date of Patent: **** May 11, 1993**

[54] **COMBINED LAMP SOCKET AND GLOBE HOLDER FOR A SUSPENDED ELECTRIC LIGHT FIXTURE**

Attorney, Agent, or Firm—Peter Hochberg; Mark Kusner

[76] Inventor: **Jerome Neustadt, 5 Holly Ave., Florida, N.Y. 10921**

[57] **CLAIM**

The ornamental design for a combined lamp socket and globe holder for a suspended electric light fixture, as shown and described.

[**] Term: **14 Years**

DESCRIPTION

[21] Appl. No.: **665,741**

FIG. 1 is a top plan view of a combined lamp socket and globe holder for a suspended electric light fixture embodying my new design;

[22] Filed: **Mar. 7, 1991**

[52] U.S. Cl. **D26/138; D26/72; D26/118**

FIG. 2 is a bottom view of the combined lamp socket and globe holder for a suspended electric light fixture as shown in FIG. 1;

[58] Field of Search **D26/72, 80-92, D26/118, 138, 140; 362/147, 404-405, 457, 458, 396, 249, 391, 378**

FIG. 3 is a front view of the combined lamp socket and globe holder for a suspended electric light fixture shown in FIG. 1, a mirror image of the rear view thereof;

[56] **References Cited**

U.S. PATENT DOCUMENTS

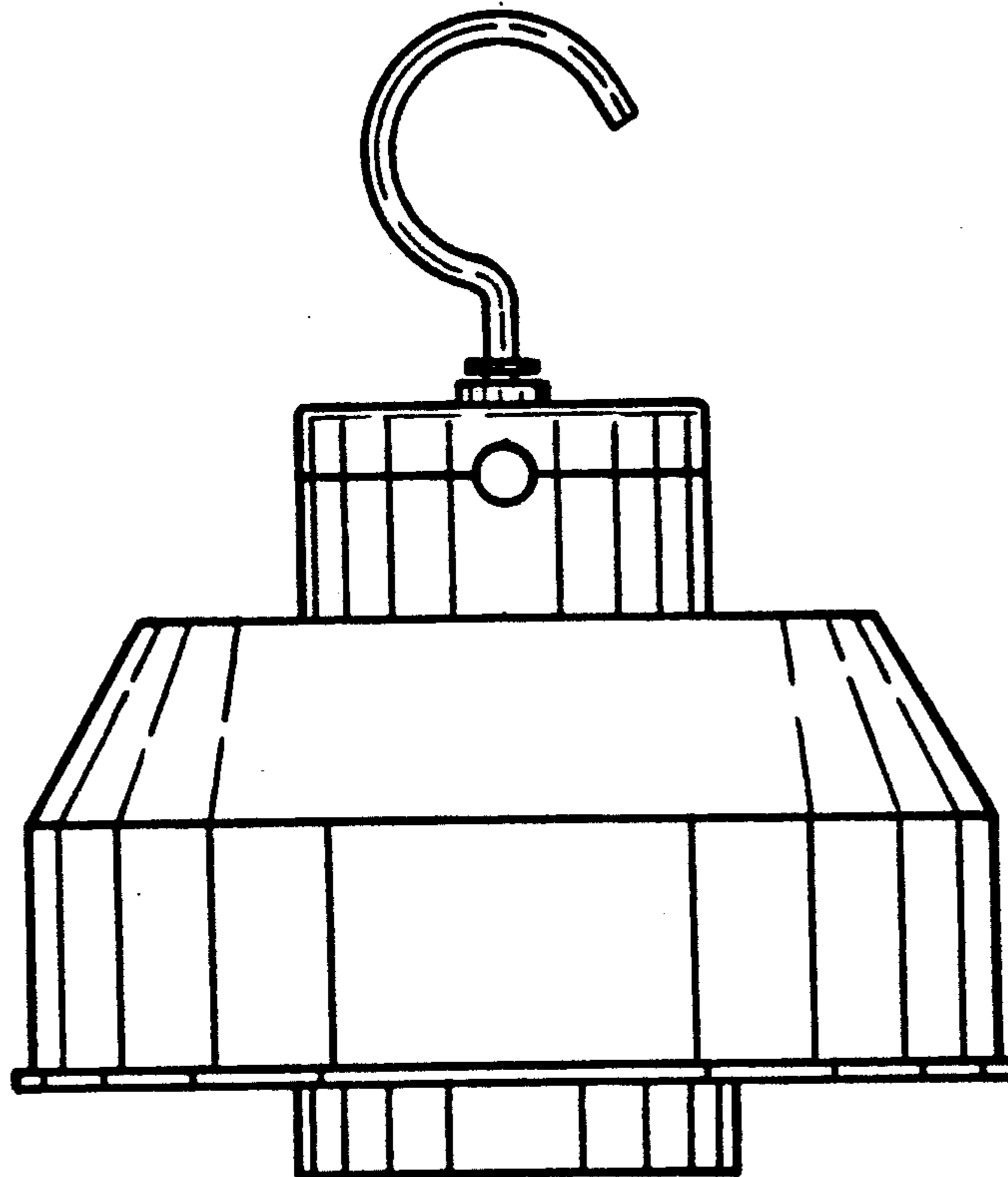
3,011,049	11/1961	Kinghorn	362/396 X
4,351,506	9/1982	Ohai	362/396 X
4,531,179	7/1985	Baker	362/396 X
4,841,420	6/1989	Baggio et al.	362/249
5,091,836	2/1992	Neustadt	362/404 X

FIG. 4 is a right-side view of the combined lamp socket and globe holder for a suspended electric light fixture shown in FIG. 1;

FIG. 5 is a left-side view of the combined lamp socket and globe holder for a suspended electric light fixture shown in FIG. 1; and,

FIG. 6 is a cross-sectional view of the combined lamp socket and globe holder for a suspended electric light fixture shown along section lines 6—6 of FIG. 2.

Primary Examiner—Susan J. Lucas



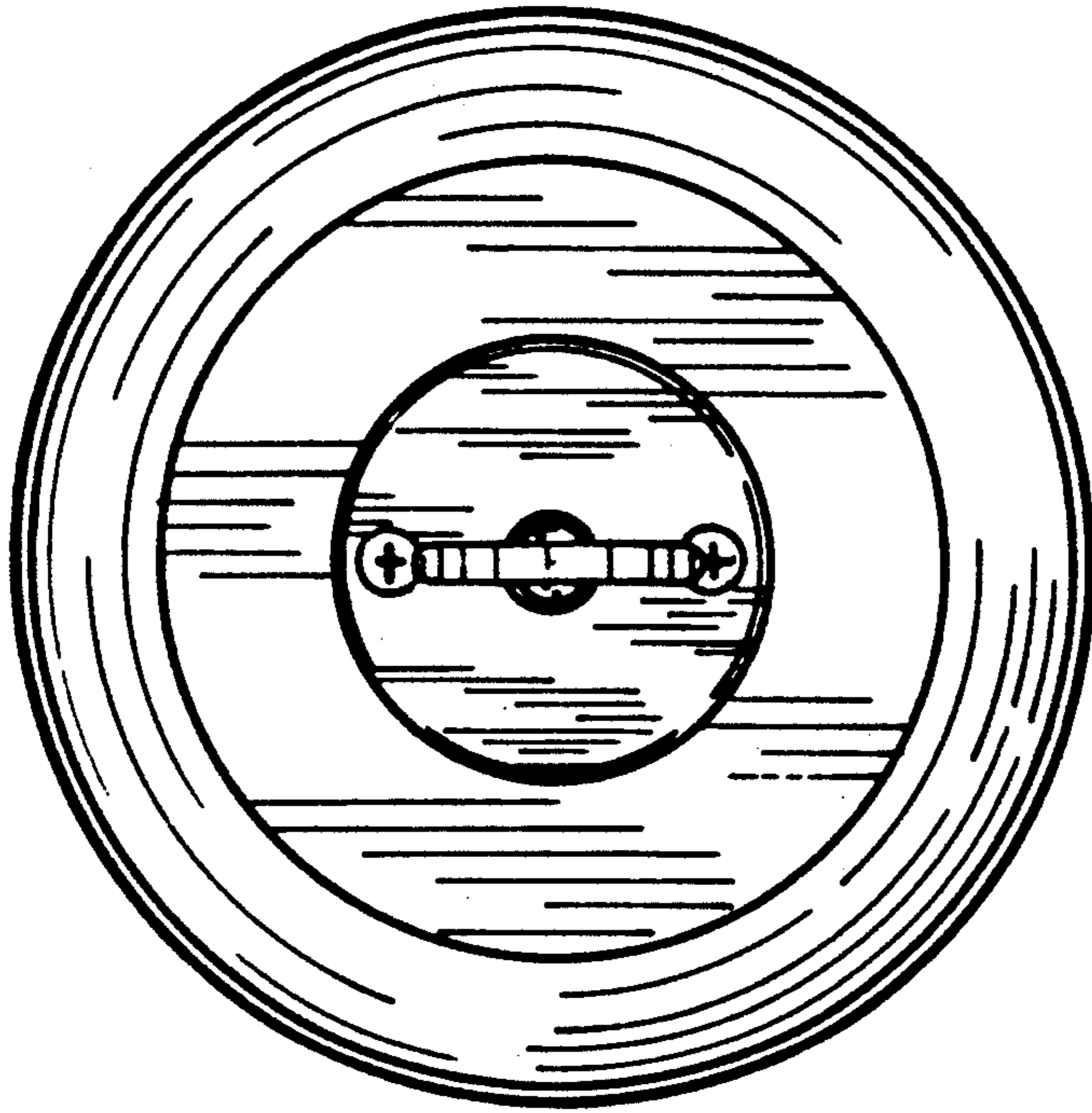


FIG. 1

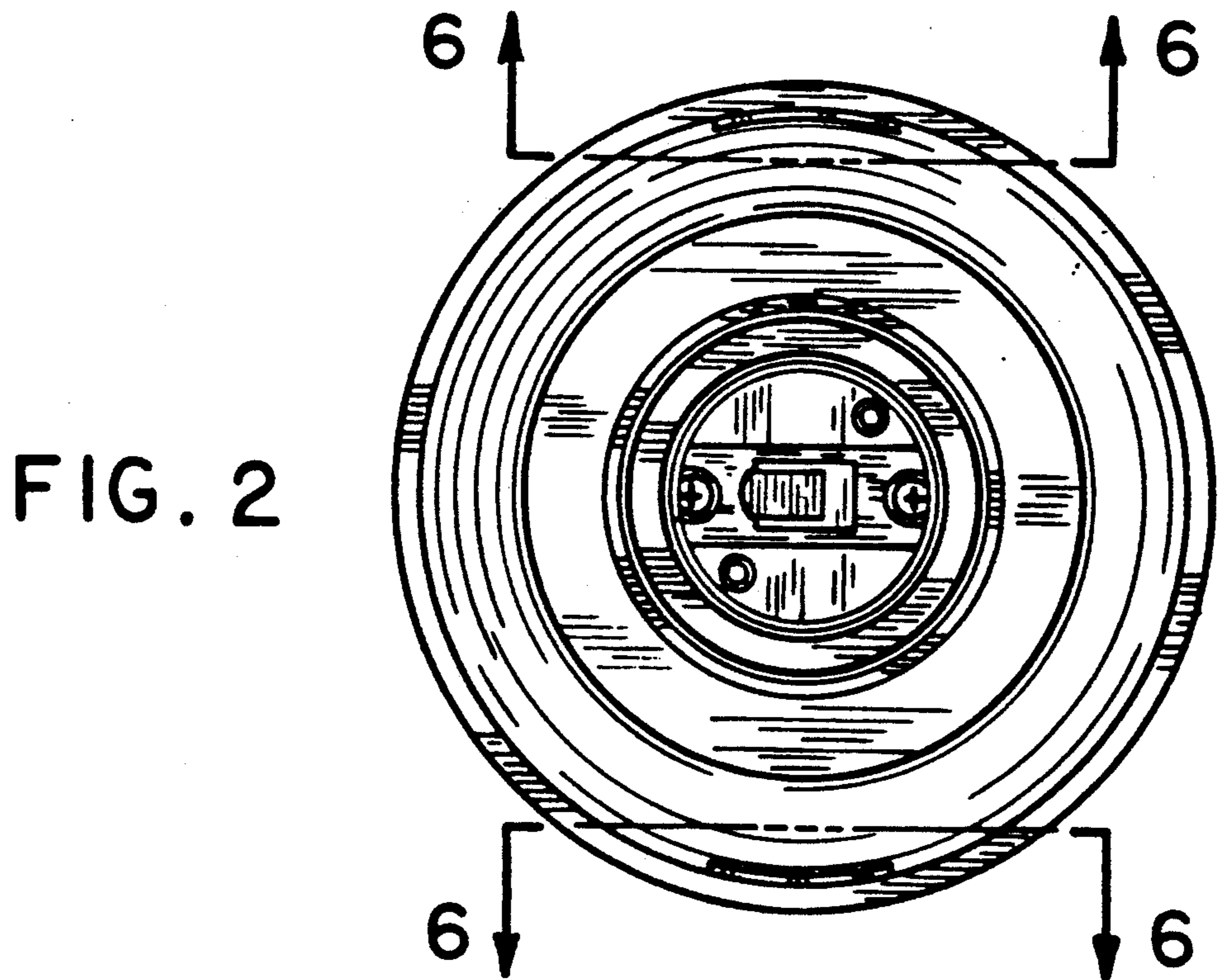


FIG. 2

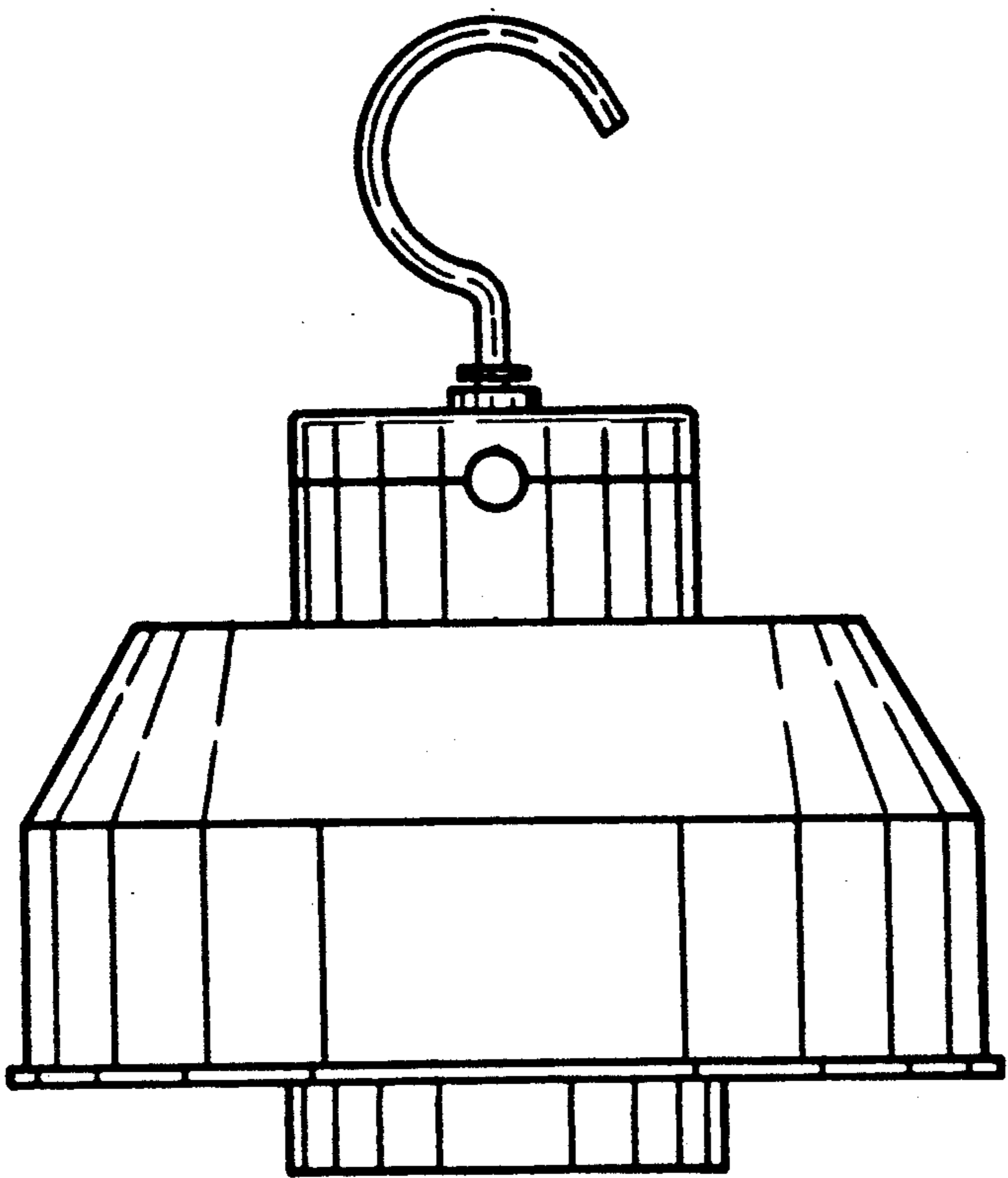
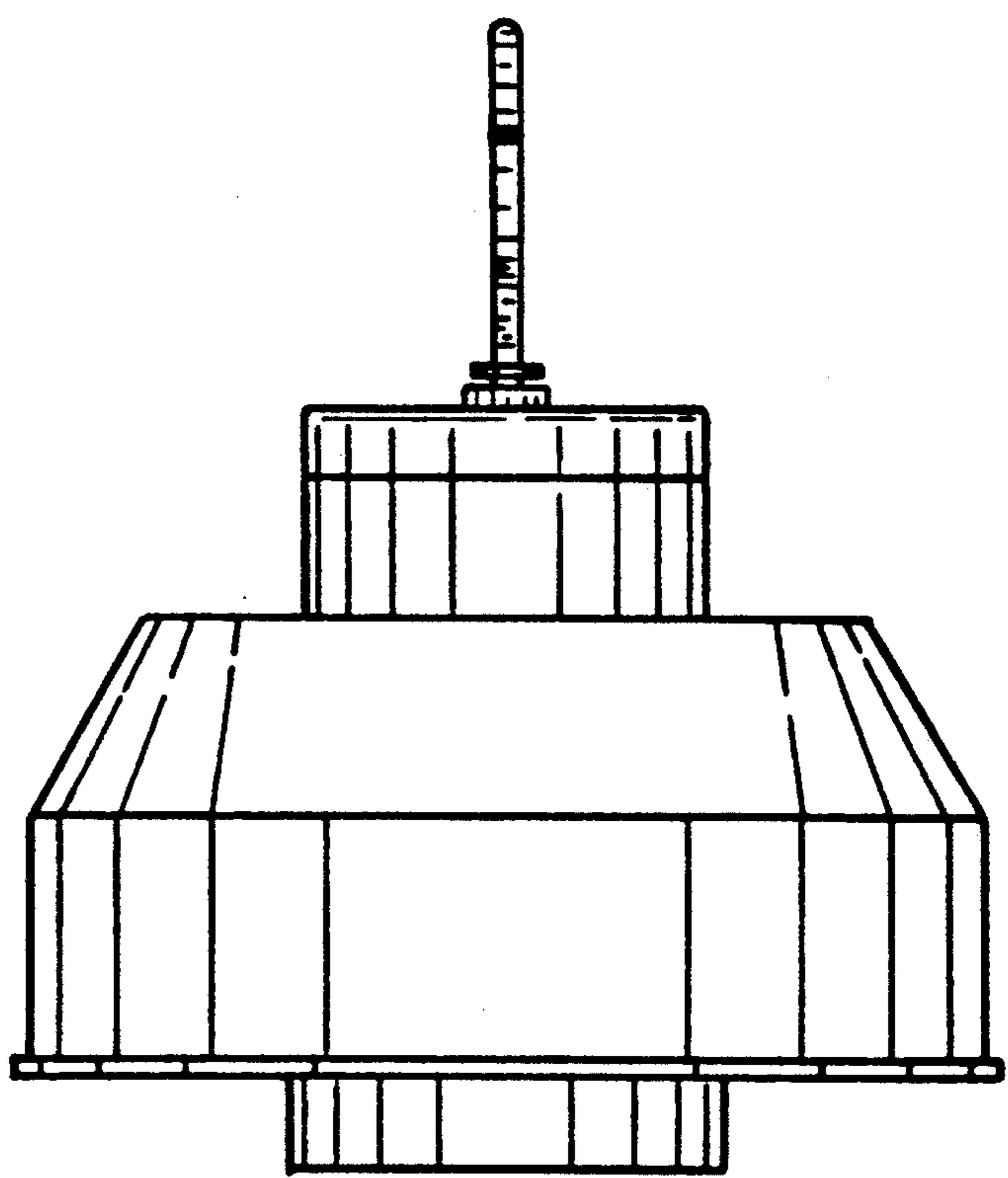


FIG. 3

FIG. 4



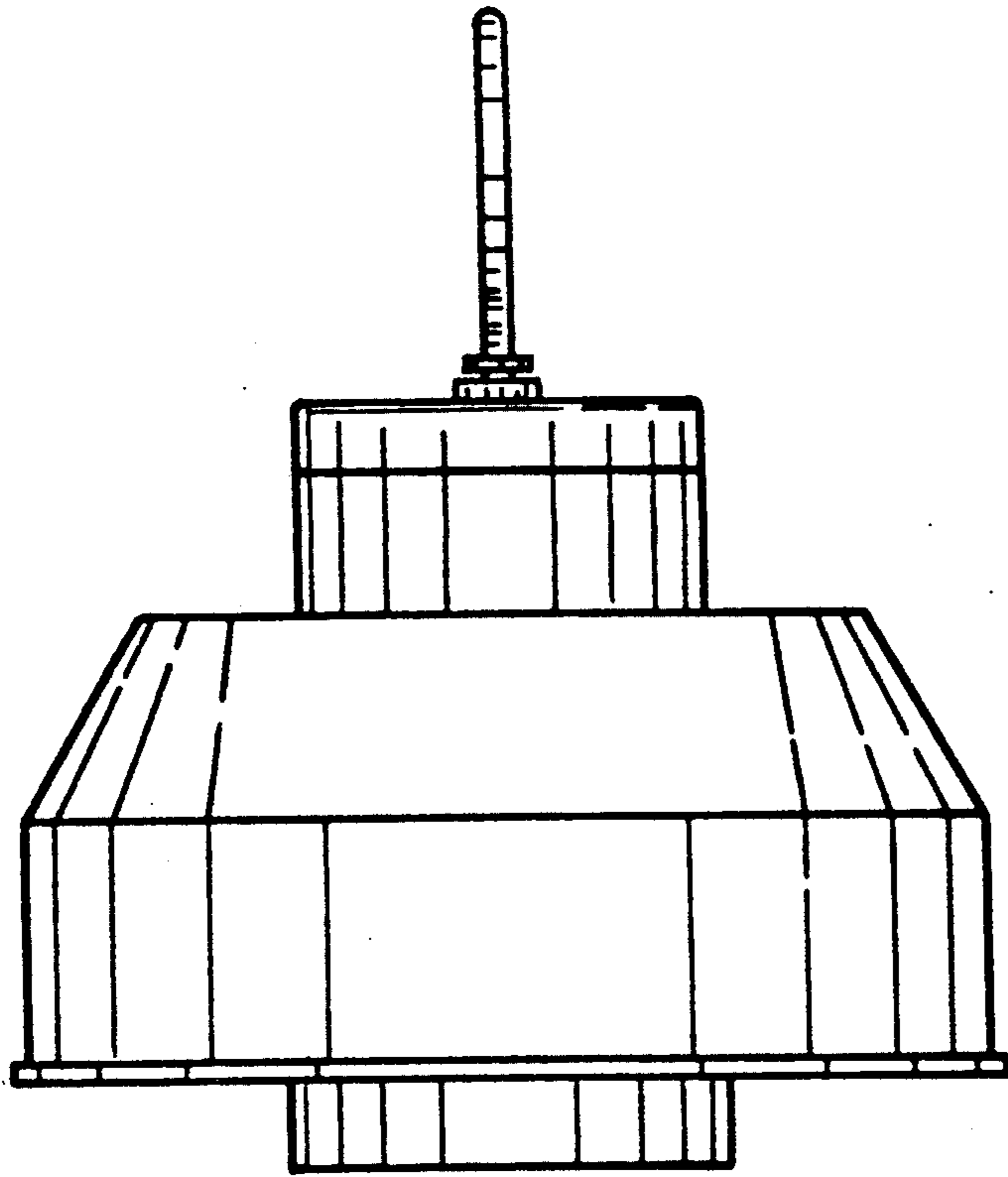


FIG. 5

FIG. 6

