



US00D335544S

United States Patent [19]

[11] Patent Number: **Des. 335,544**

Meda et al.

[45] Date of Patent: **** May 11, 1993**

[54] **ADJUSTABLE TRACK LIGHT**

[75] Inventors: **Alberto Meda; Paolo Rizzatto**, both of Milan, Italy

[73] Assignee: **Artemide Litech S.r.l.**, Milan, Italy

[**] Term: **14 Years**

[21] Appl. No.: **674,719**

[22] Filed: **Mar. 22, 1991**

[30] **Foreign Application Priority Data**

Sep. 25, 1990 [IT] Italy 53257/90[U]

[52] U.S. Cl. **D26/63**

[58] Field of Search **D26/60-66;**
362/147, 432, 364, 375, 387, 418, 419, 427, 428

[56] **References Cited**

U.S. PATENT DOCUMENTS

- D. 315,418 3/1991 Layne D26/63
- D. 315,419 3/1991 Layne D26/63
- D. 316,157 4/1991 Sapper D26/63

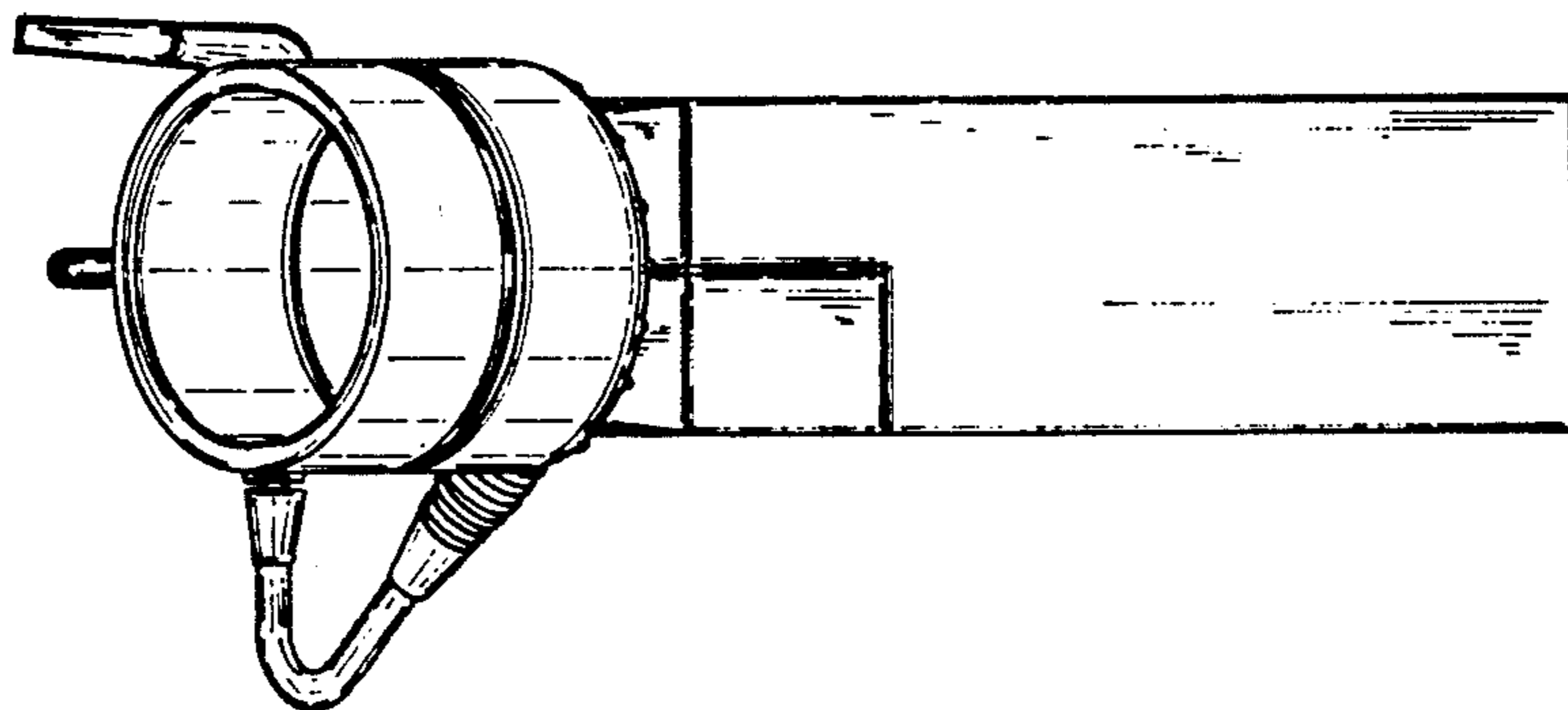
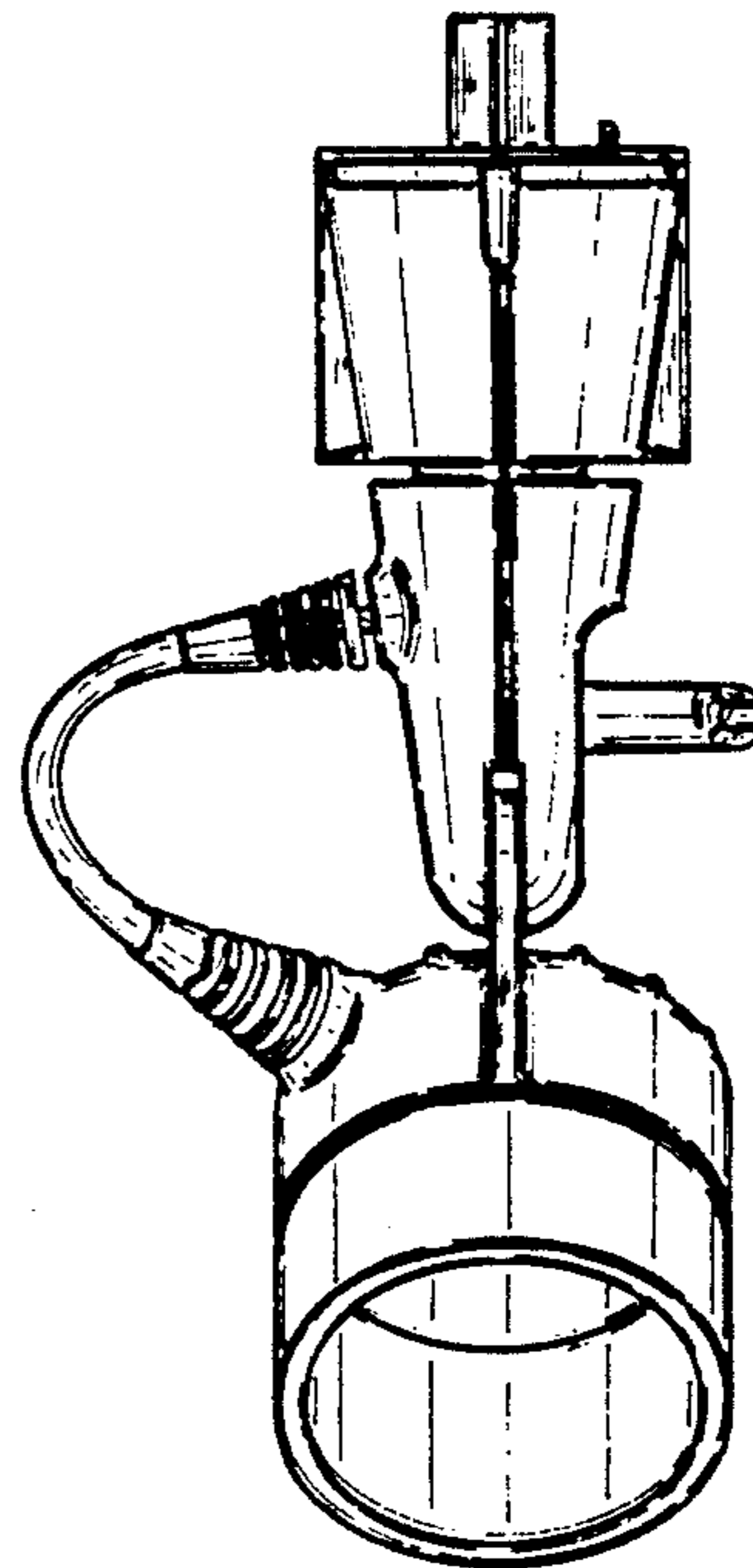
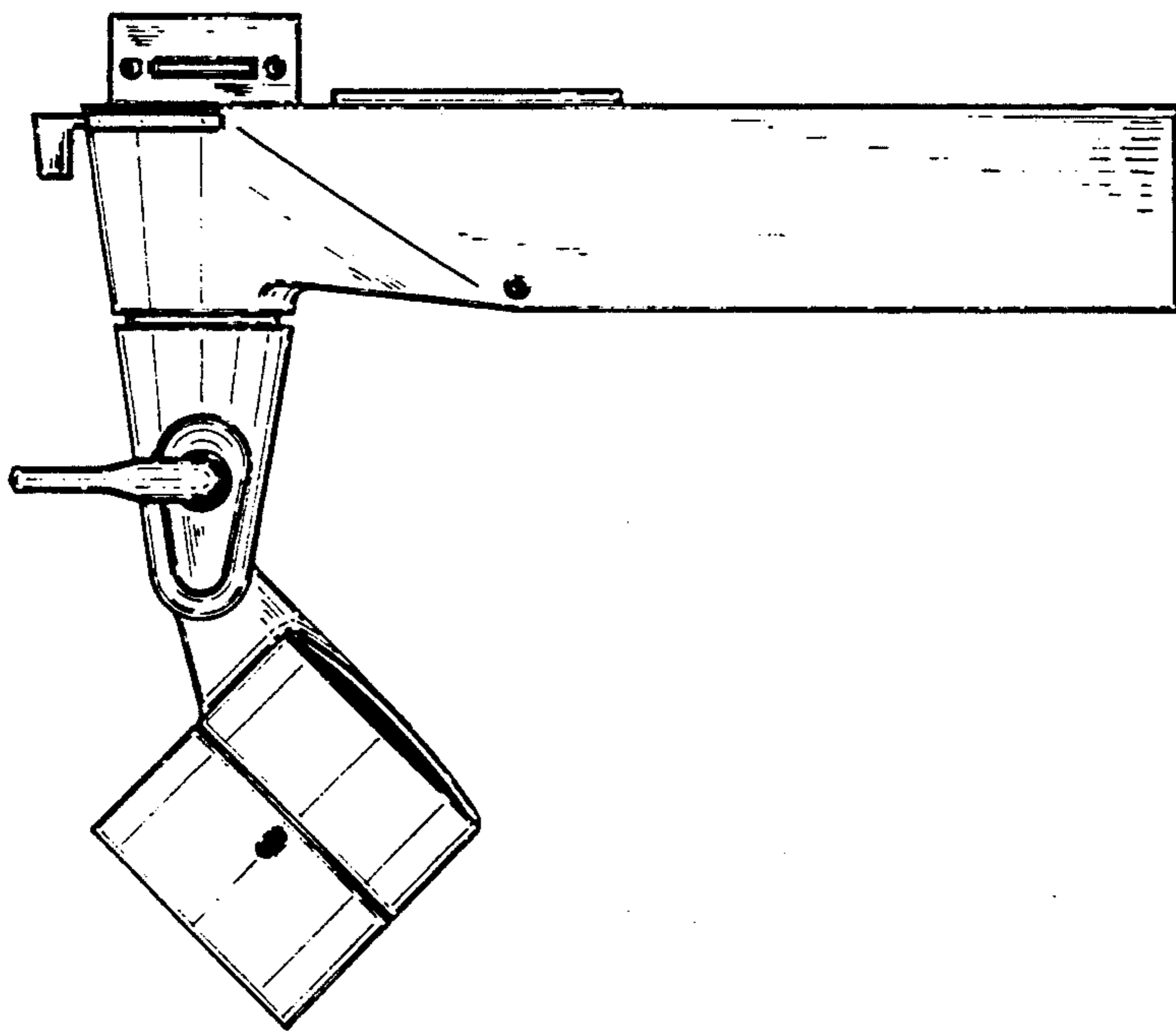
Primary Examiner—Susan J. Lucas
Attorney, Agent, or Firm—Kane, Dalsimer, Sullivan, Kurucz, Levy, Eisele and Richard

[57] **CLAIM**

The ornamental design for an adjustable track light, as shown and described.

DESCRIPTION

FIG. 1 is a side elevational view of an adjustable track light showing our new design;
 FIG. 2 is a front elevational view thereof;
 FIG. 3 is a bottom plan view thereof;
 FIG. 4 is a top plan view thereof;
 FIG. 5 is a rear elevational view thereof;
 FIG. 6 is an opposite side elevational view thereof;
 FIG. 7 is a side elevational view of a second embodiment showing our new design;
 FIG. 8 is a front elevational view thereof; and,
 FIG. 9 is a bottom plan view thereof.
 The second embodiment differs from the first only in the configuration of the reflector.



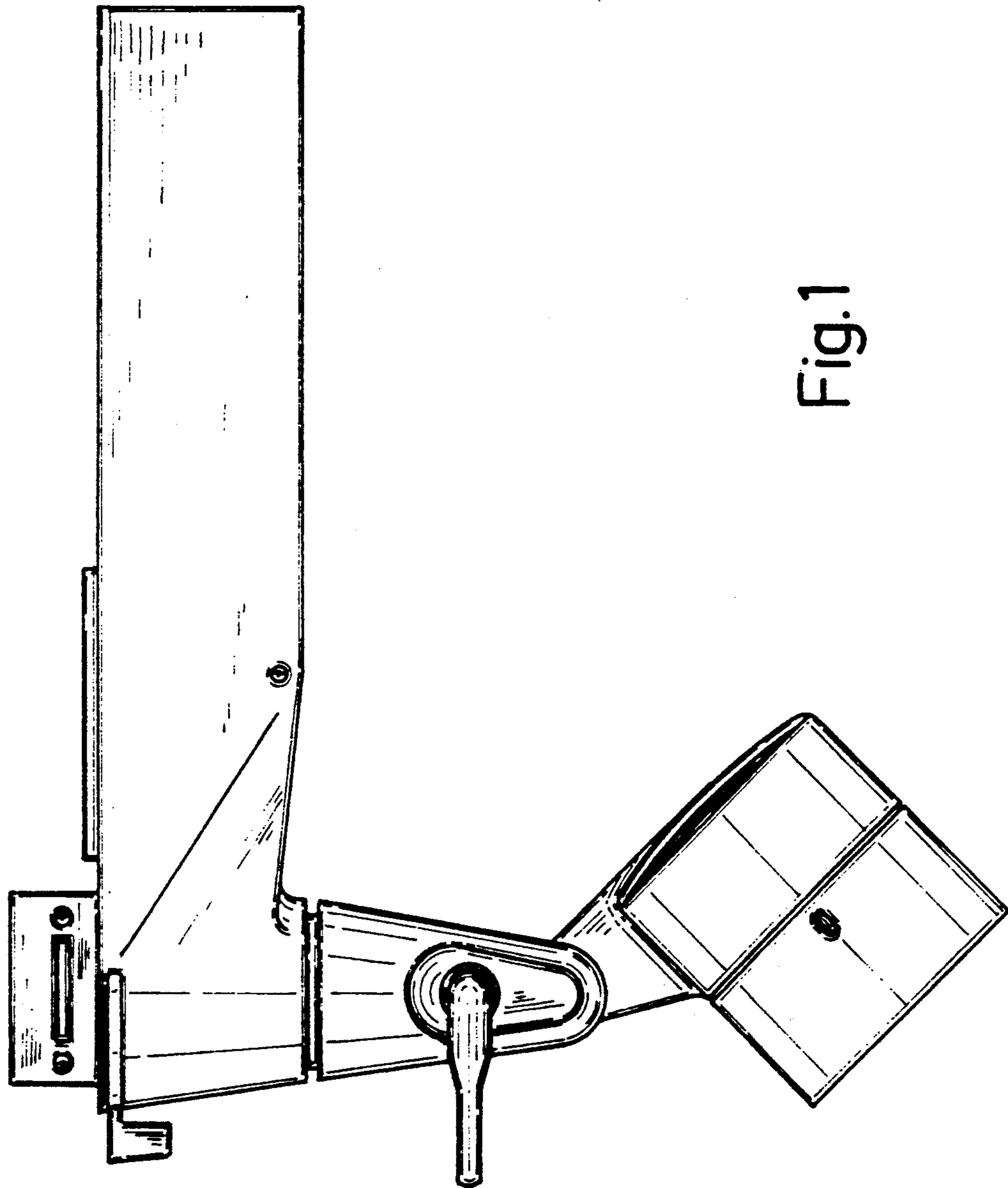


Fig. 1

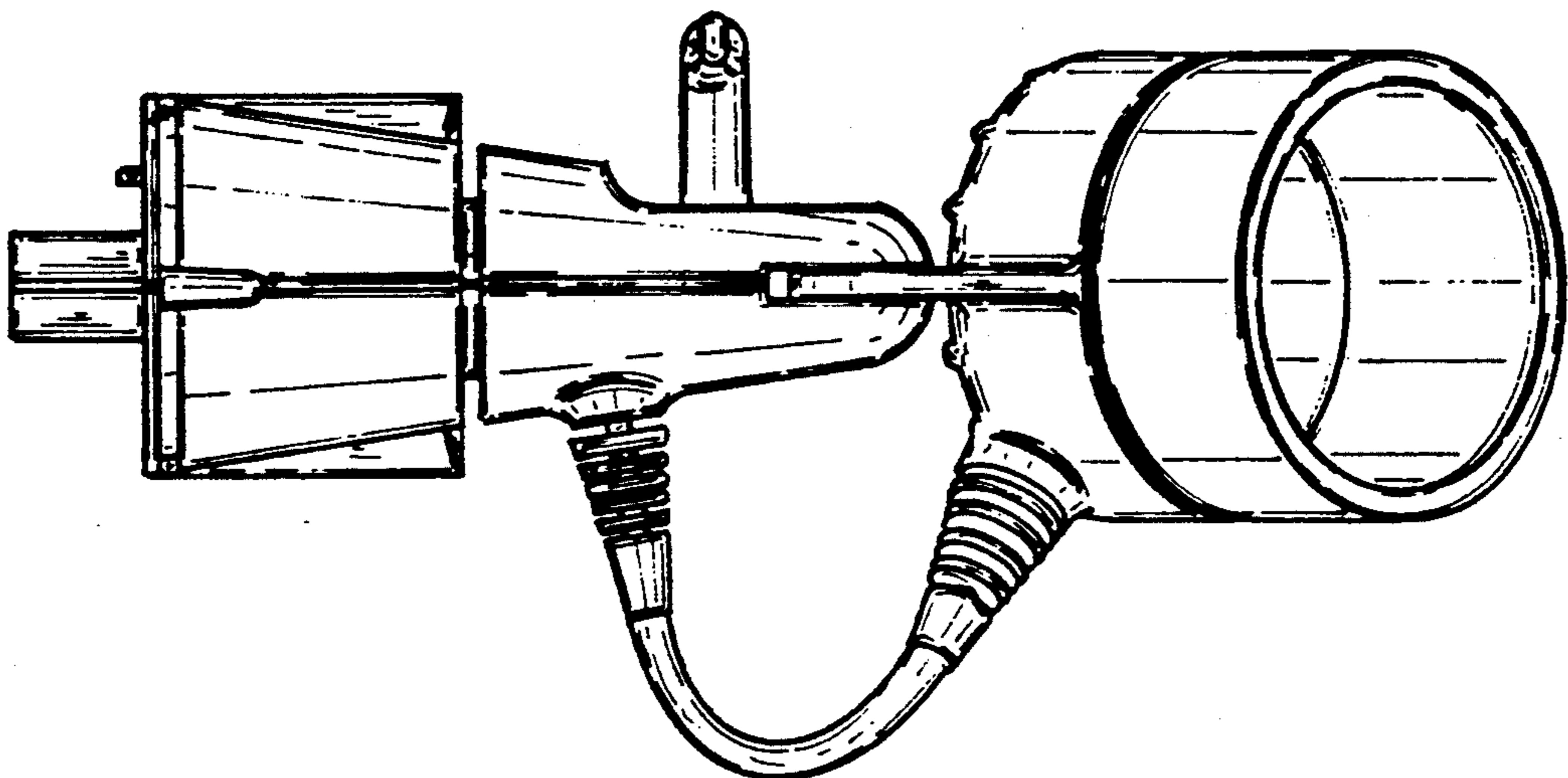


Fig. 2

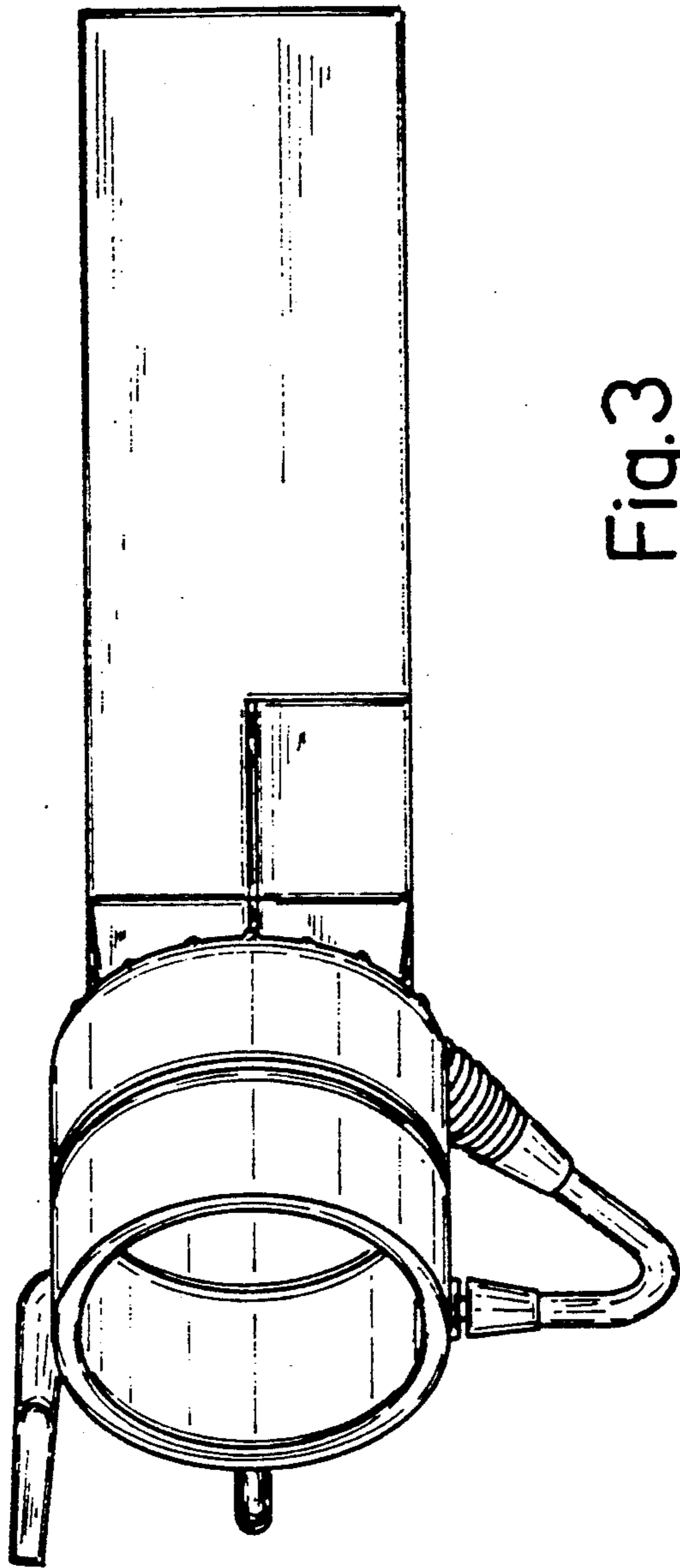


Fig. 3

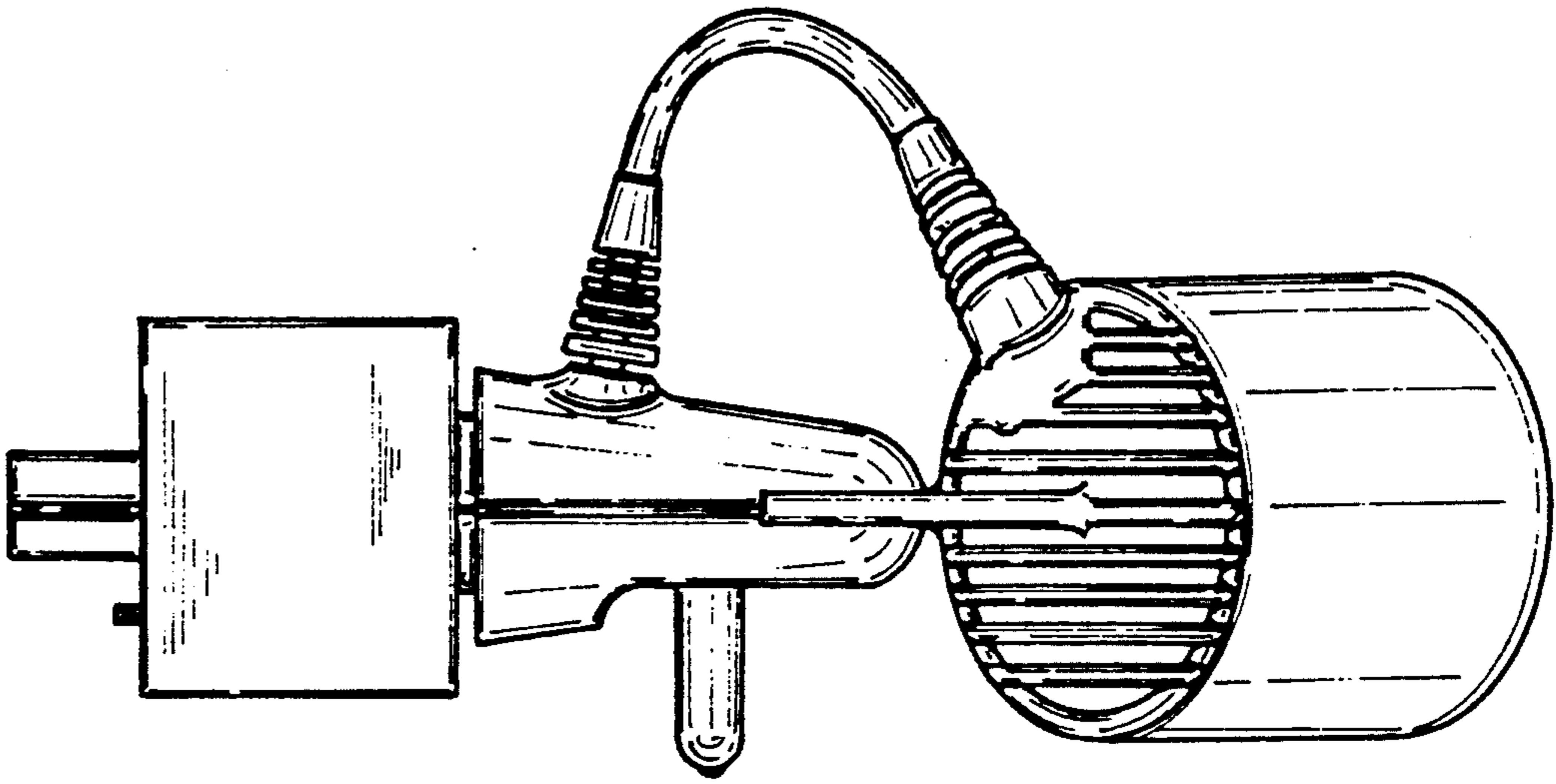


Fig.5

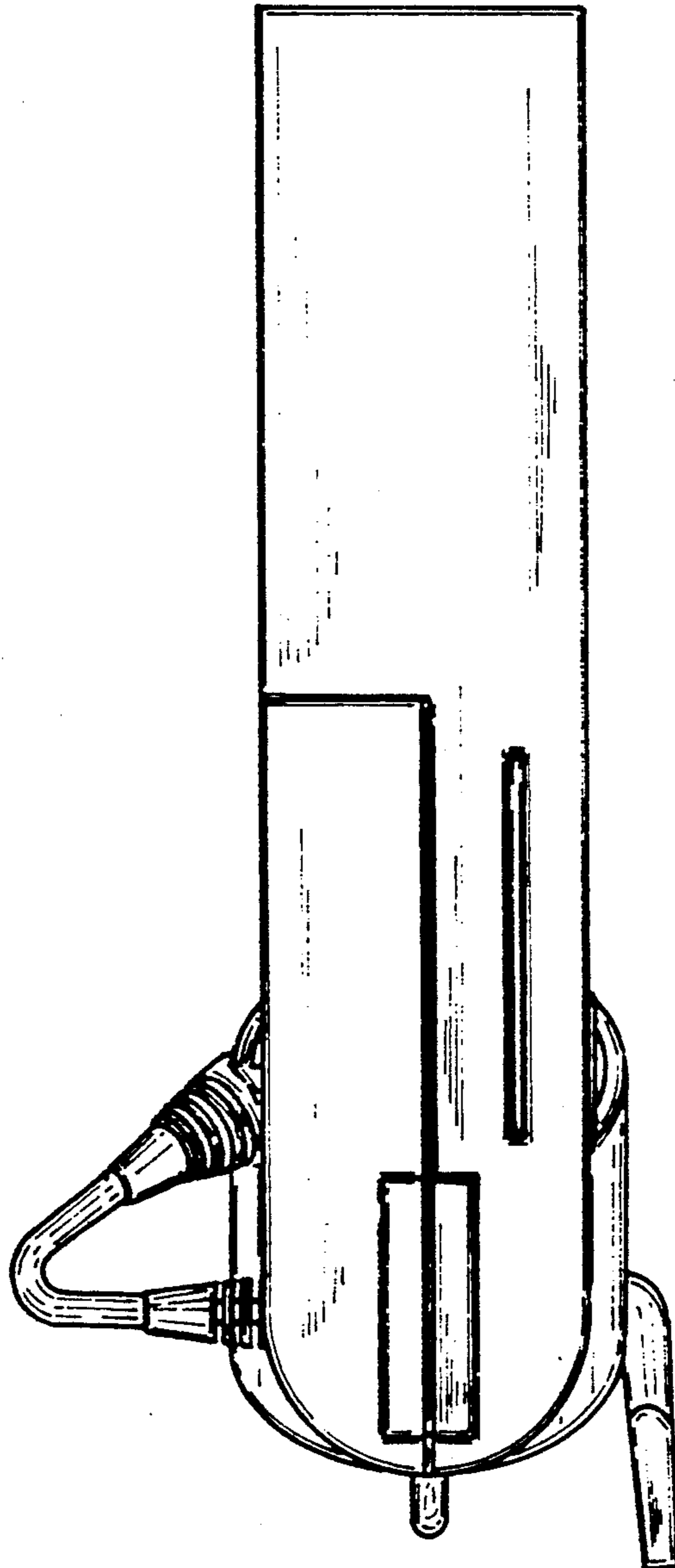


Fig 4

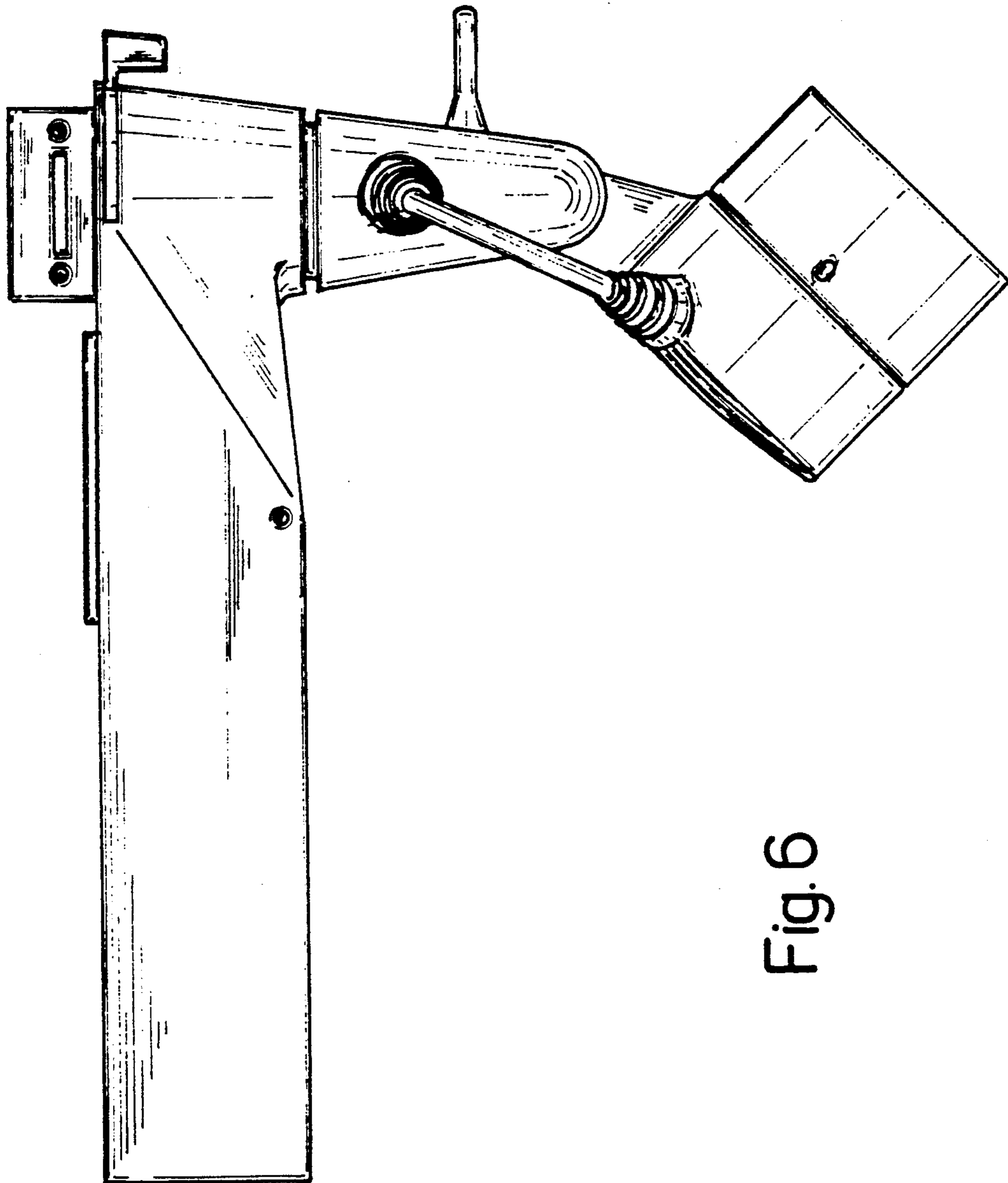


Fig. 6

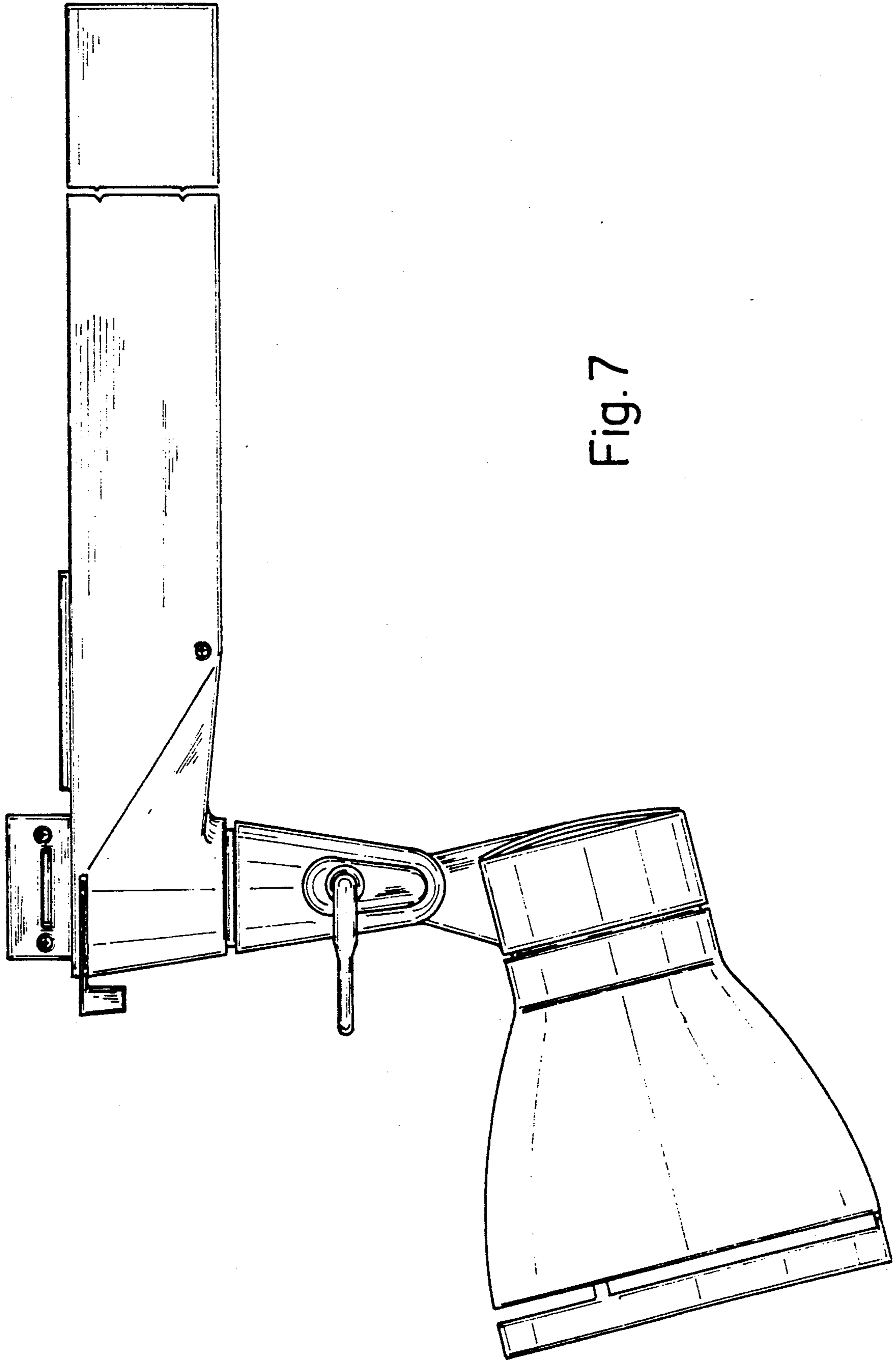


Fig. 7

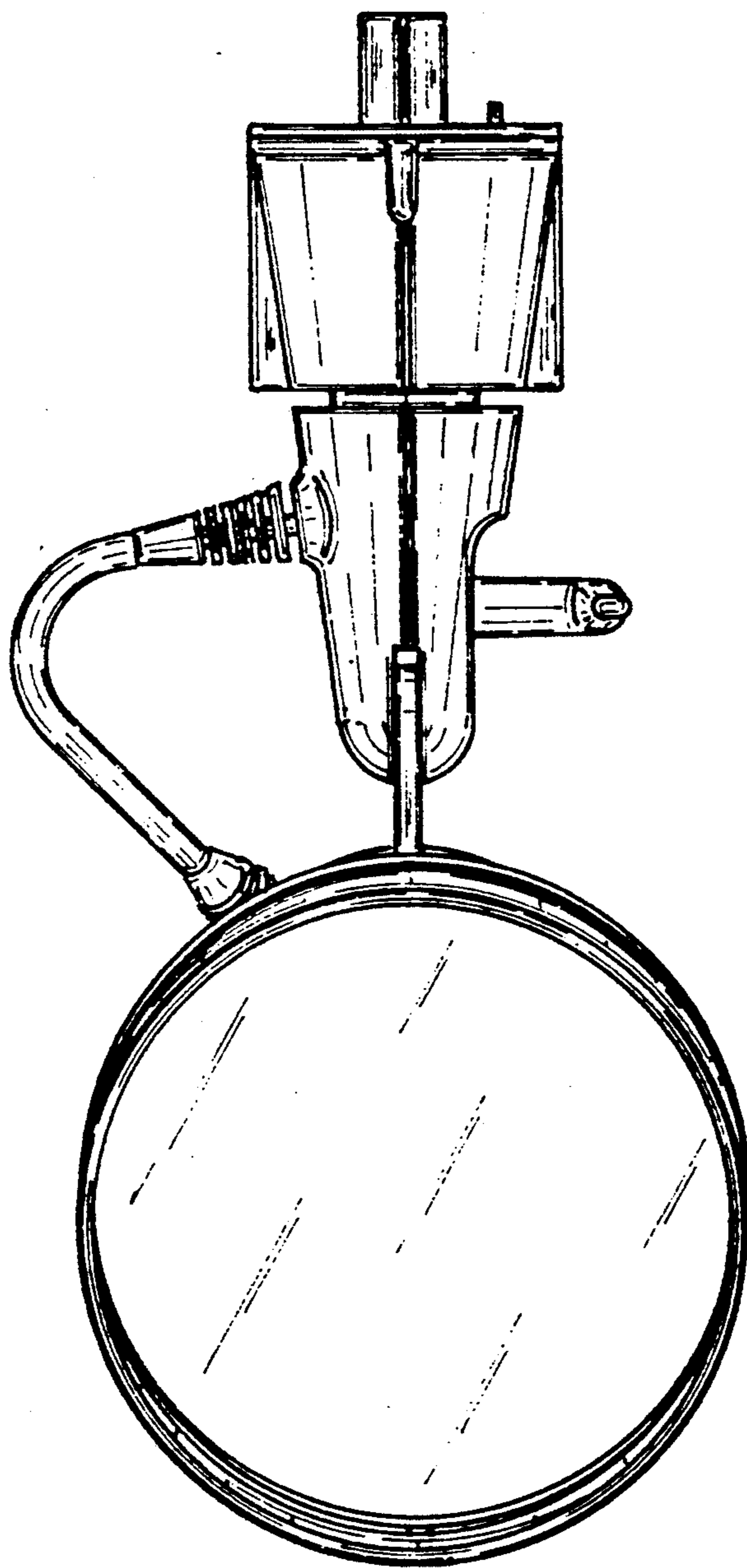


Fig. 8

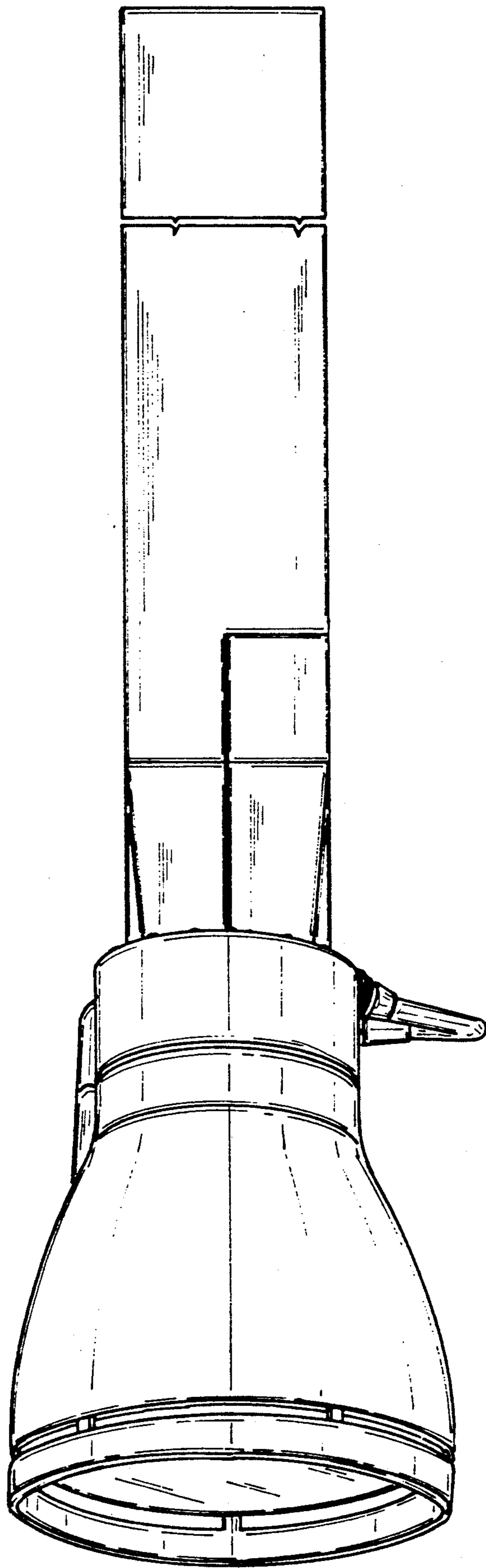


Fig.9