



US00D335543S

# United States Patent [19]

[11] Patent Number: **Des. 335,543**

Sessions

[45] Date of Patent: **\*\* May 11, 1993**

[54] **COMBINED LIGHT SUPPORT AND FORM FOR ROUNDING OUT DRAPERIES INTO A COLUMNAR SHAPE**

2,662,163 12/1953 Mollner ..... 362/151  
5,067,547 11/1991 Mourich ..... 160/38 X

[76] Inventor: **Donna Sessions, 440 E. 940 North, Ogden, Utah 84404**

### FOREIGN PATENT DOCUMENTS

482523 3/1938 United Kingdom ..... 362/145

[\*\*] Term: **14 Years**

*Primary Examiner*—Susan J. Lucas  
*Attorney, Agent, or Firm*—K. S. Cornaby

[21] Appl. No.: **583,716**

### [57] CLAIM

[22] Filed: **Sep. 17, 1990**

The ornamental design for a combined light support and form for rounding out drapery into a columnar shape, as shown.

[52] U.S. Cl. .... **D26/51; D6/580; D26/92**

[58] Field of Search ..... **D8/368, 376, 372, 370, D8/373; 160/327, 330, 349, 368.1, 38; 362/147, 145, 151, 125, 806, 432**

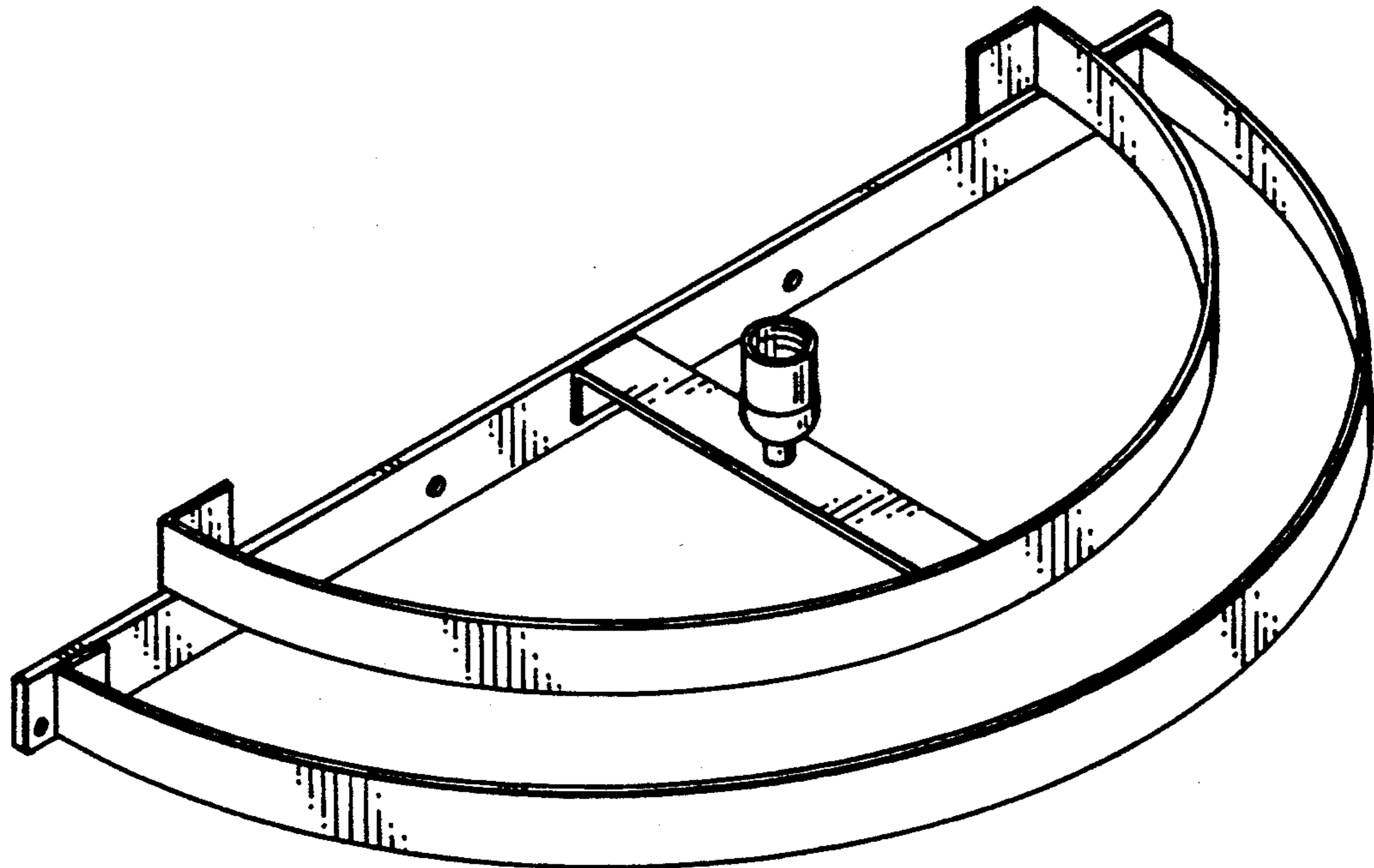
### DESCRIPTION

### [56] References Cited

#### U.S. PATENT DOCUMENTS

D. 103,557 3/1937 Adams et al. .... D26/72  
D. 297,694 9/1988 Rose et al. .... D8/373 X  
977,565 12/1910 Smith ..... 160/327 X  
1,786,787 12/1930 Steinmeyer ..... 362/145

FIG. 1 is a perspective view taken from the top of a combined light support and form for rounding out drapery into a columnar shape showing my new design; FIG. 2 is a top plan view thereof; FIG. 3 is a bottom plan view thereof; FIG. 4 is a left side elevational view thereof; FIG. 5 is a right side elevational view thereof; FIG. 6 is a front elevational view thereof; FIG. 7 is a rear elevational view thereof.



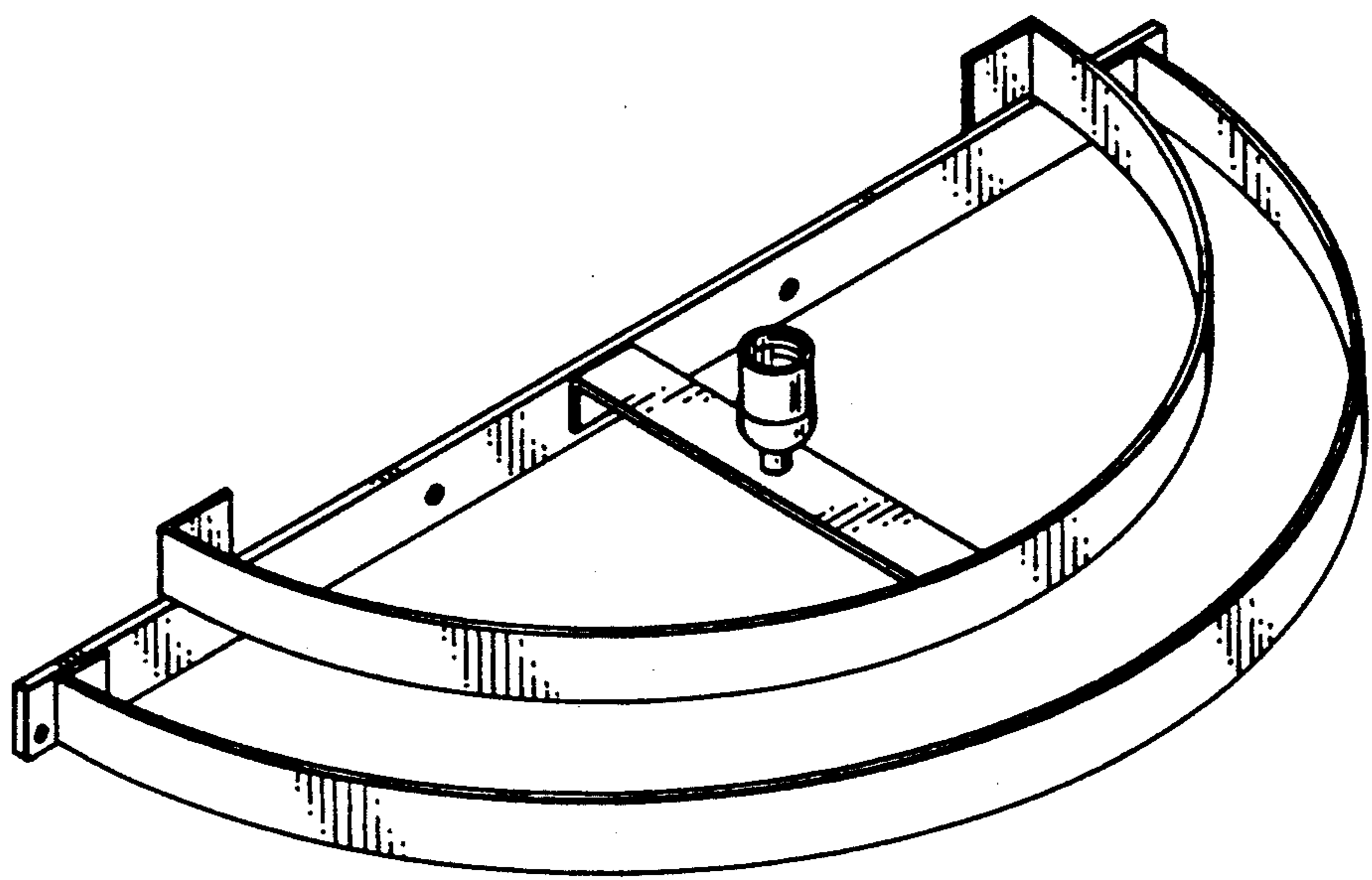


Fig. 1

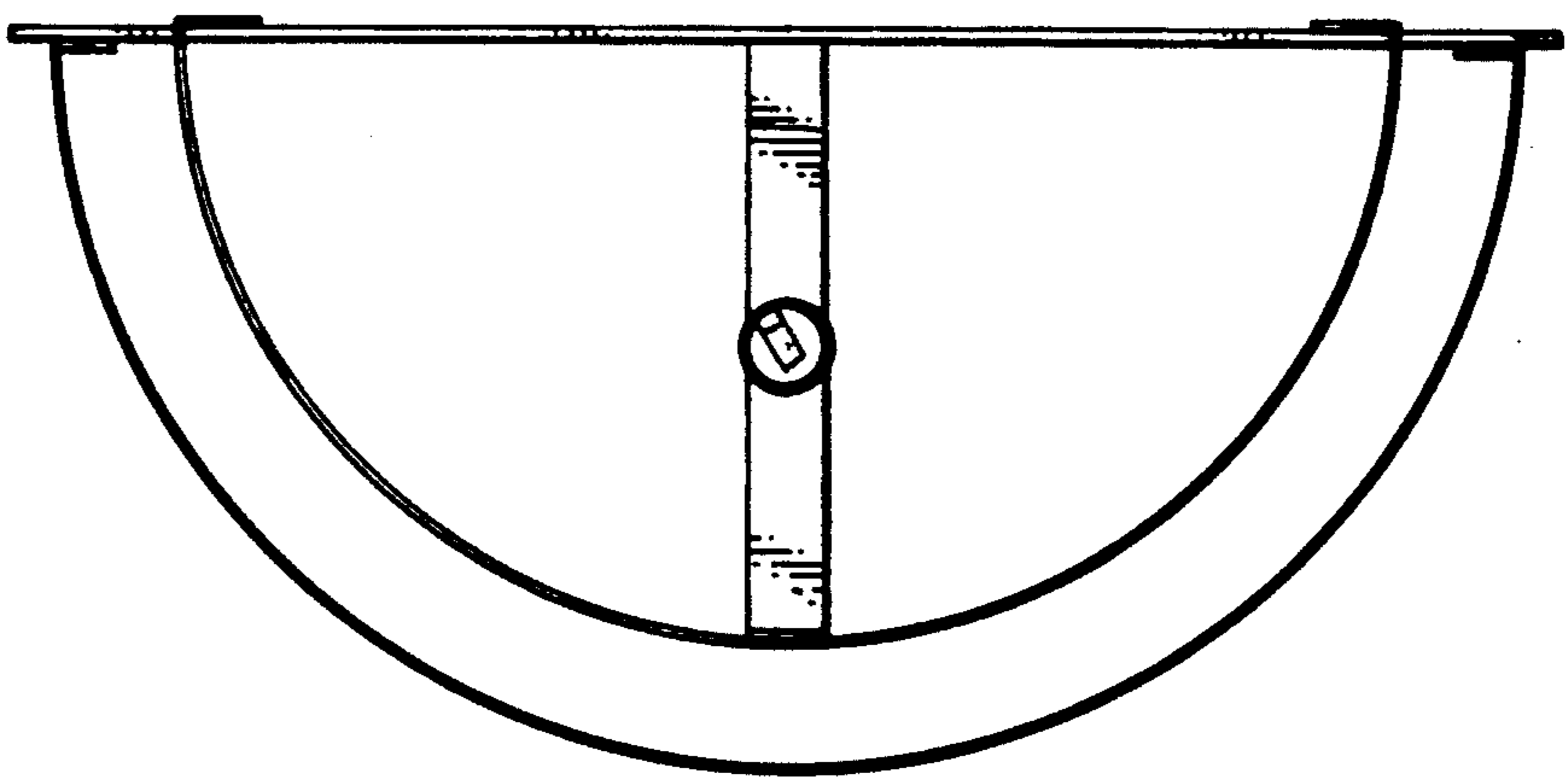


Fig. 2

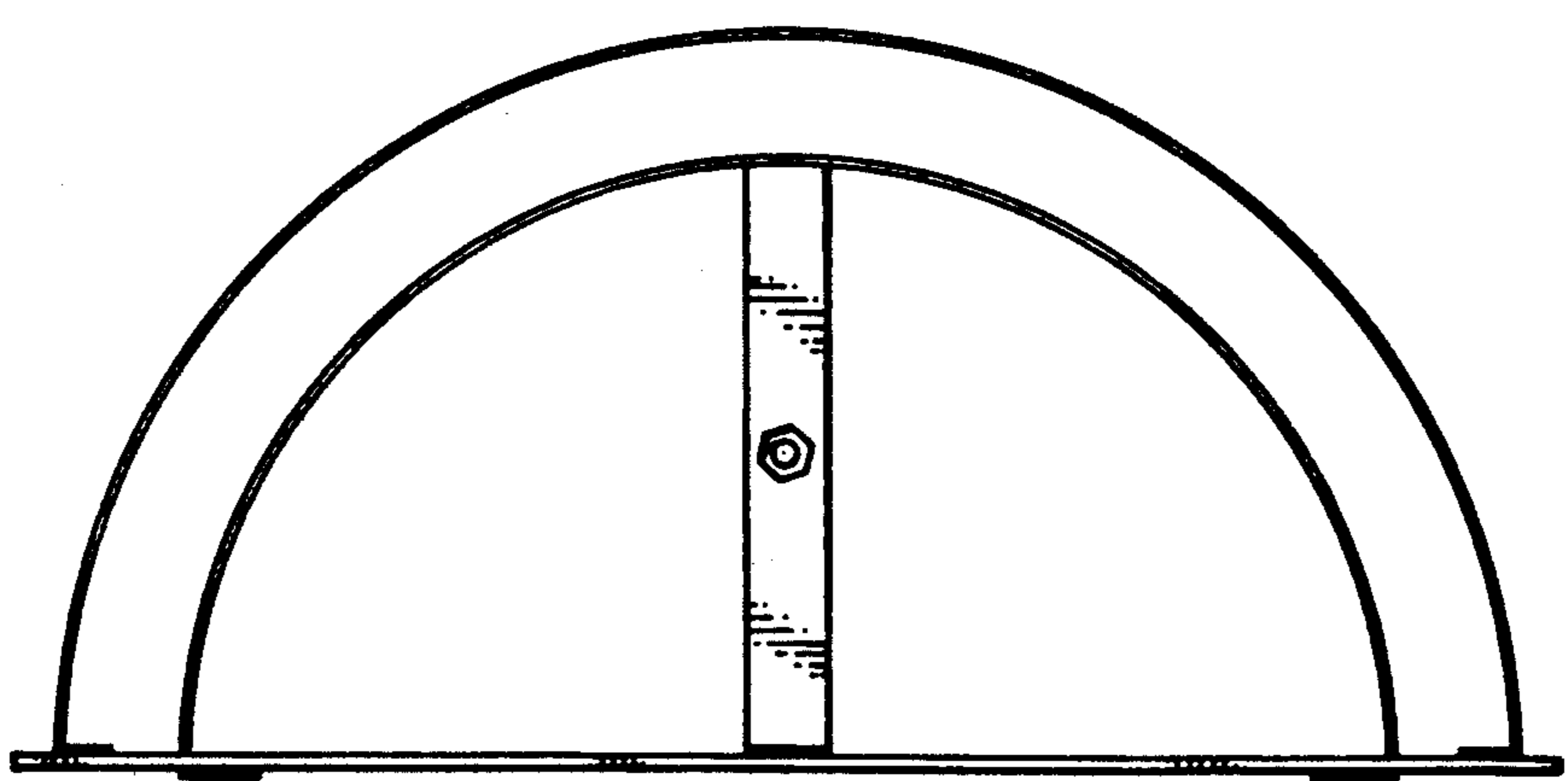


Fig. 3

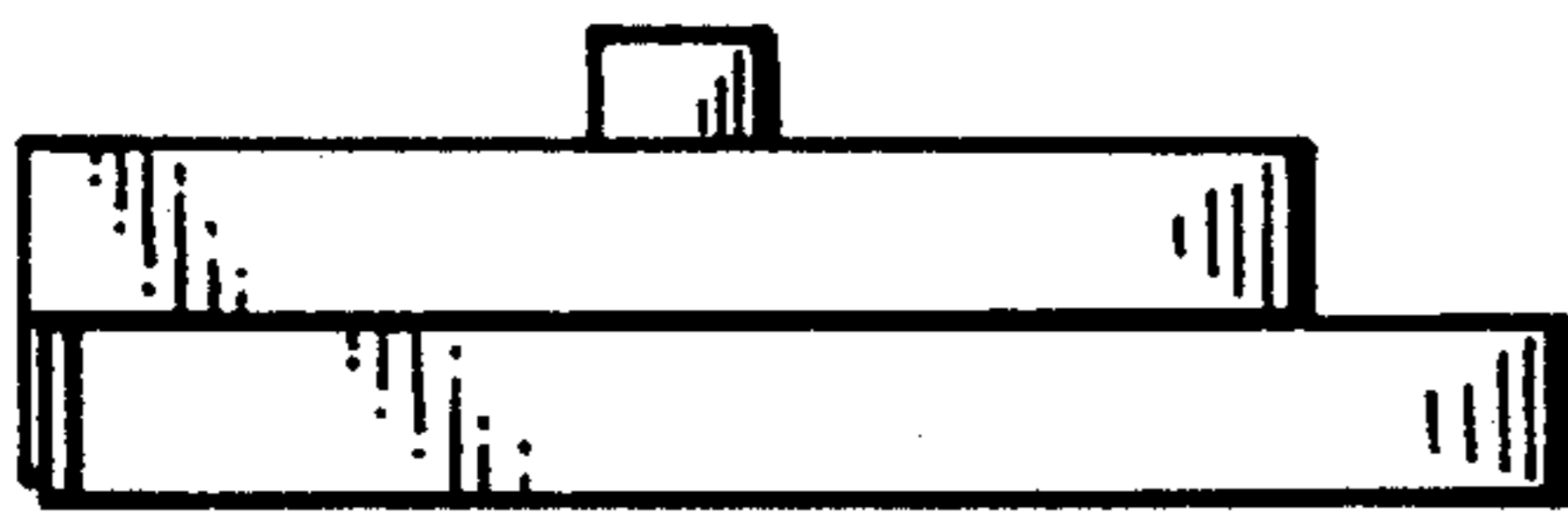


Fig. 4

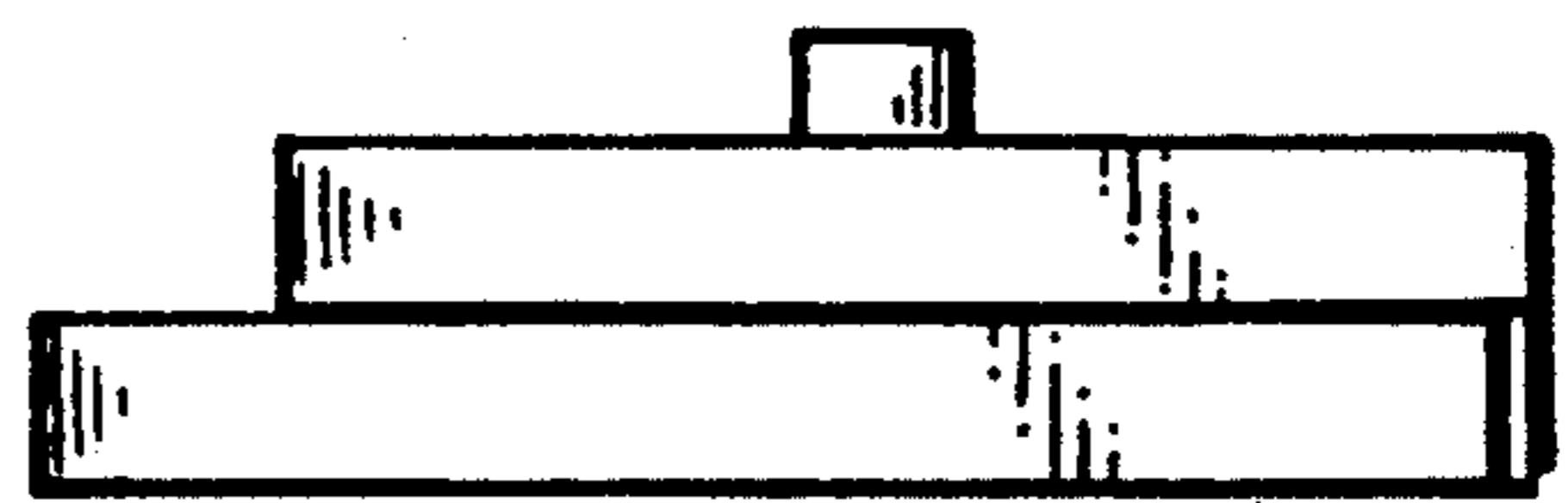


Fig. 5

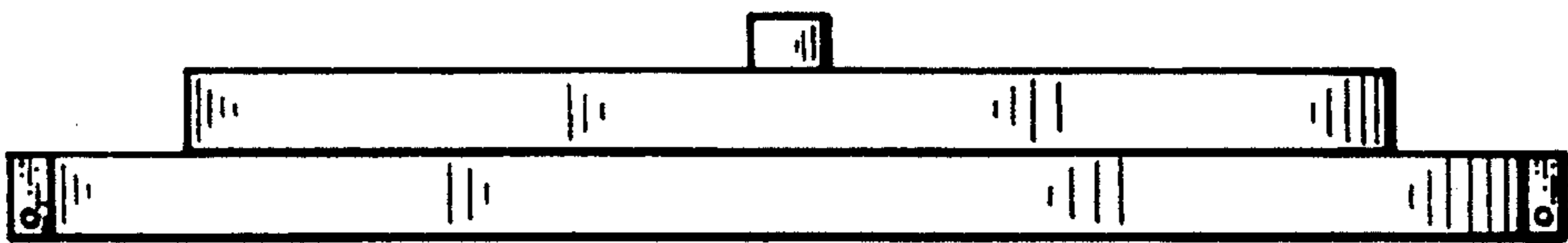


Fig. 6

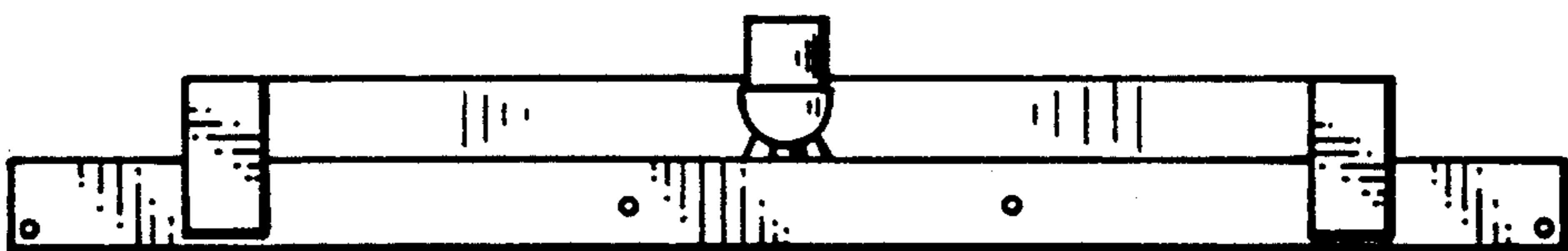


Fig. 7