



US00D335536S

United States Patent [19]

[11] Patent Number: Des. 335,536

Stephens

[45] Date of Patent: ** May 11, 1993

[54] REDUCER CAP FOR A SAFETY TROCAR

[75] Inventor: Randy R. Stephens, Fairfield, Ohio

[73] Assignee: Ethicon, Inc., Somerville, N.J.

[**] Term: 14 Years

[21] Appl. No.: 618,325

[22] Filed: Nov. 26, 1990

[52] U.S. Cl. D24/146

[58] Field of Search D24/146, 232, 133, 147;
604/164, 158, 272

[56] **References Cited**

U.S. PATENT DOCUMENTS

4,535,773	8/1985	Yoon	604/51
4,601,710	7/1986	Moll	604/165
4,654,030	3/1987	Moll et al.	604/165
4,902,280	2/1990	Lander	604/165
4,931,042	6/1990	Holmes et al.	D24/146 X
5,066,288	11/1991	Deniega et al.	604/164 X
5,114,407	5/1992	Burbank	604/185 X
5,116,353	5/1992	Green	604/164 X
5,127,909	7/1992	Shichman	604/272

FOREIGN PATENT DOCUMENTS

89/03661 5/1989 European Pat. Off. .

Primary Examiner—Stella Reid

Assistant Examiner—I. Simmons

Attorney, Agent, or Firm—Paul A. Coletti

[57] **CLAIM**

The ornamental design for a reducer cap for a safety trocar, as shown and described.

DESCRIPTION

FIG. 1 is a bottom perspective view of a reducer cap for a safety trocar showing our new design;
 FIG. 2 is a top perspective view thereof;
 FIG. 3 is a front elevational view thereof, the rear elevational view being identical thereto;
 FIG. 4 is a bottom plan view thereof;
 FIG. 5 is a left side elevational view thereof, the right side elevational view being identical thereto;
 FIG. 6 is a top plan view thereof; and,
 FIG. 7 is a perspective view thereof, the broken line showing of the surgical trocar is for illustrative purposes only and forms no part of the claimed design.

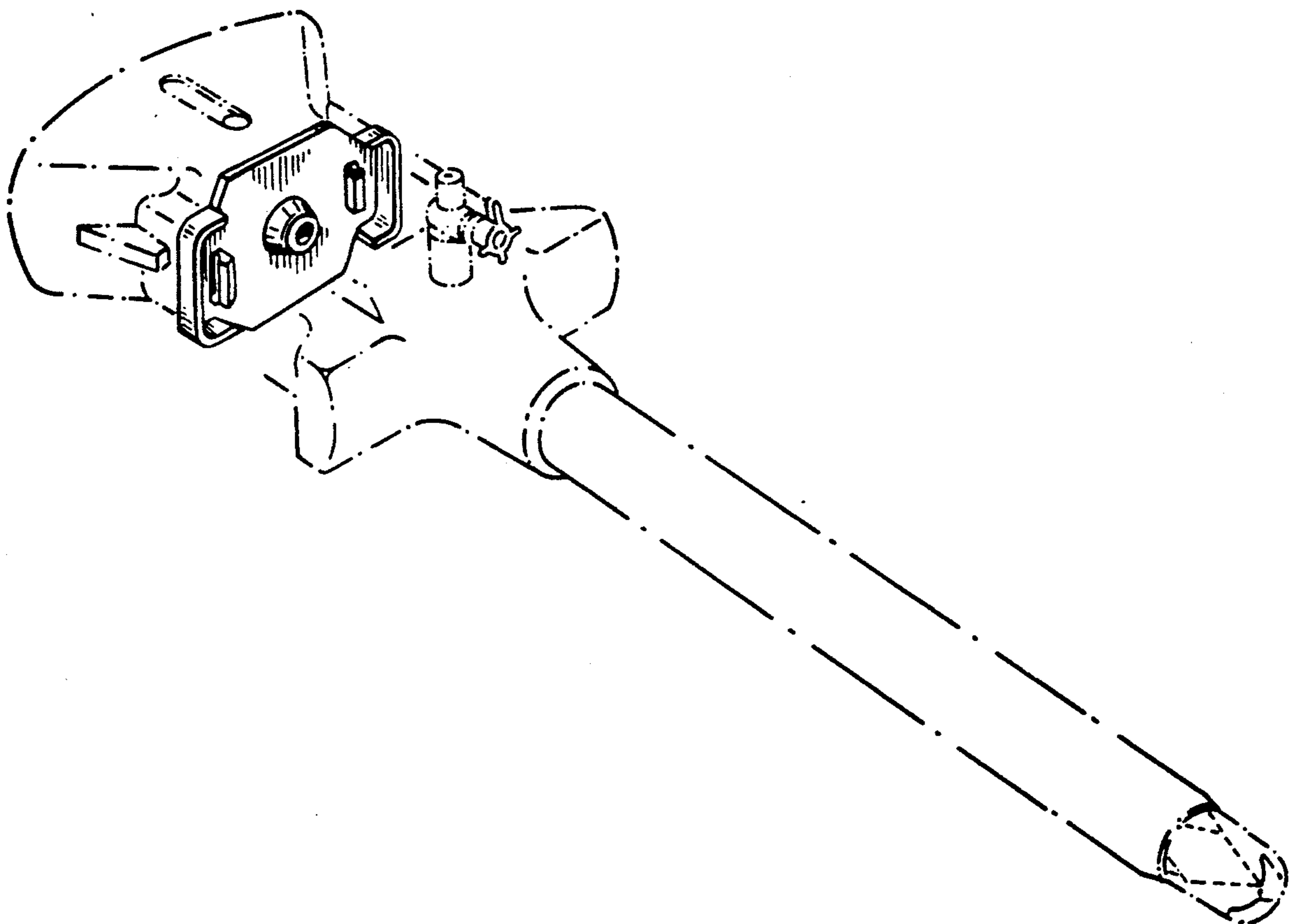


FIG-1

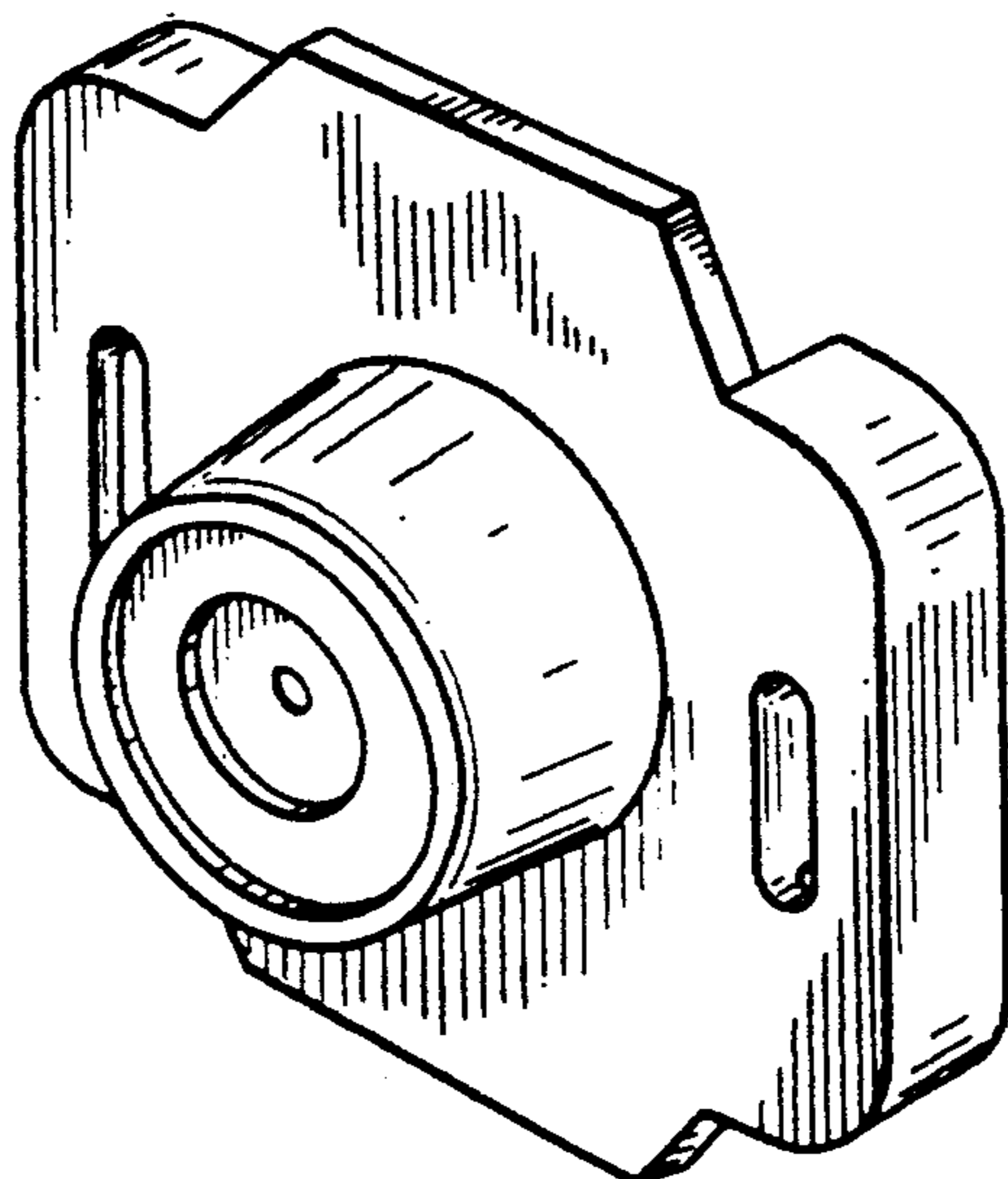


FIG-2

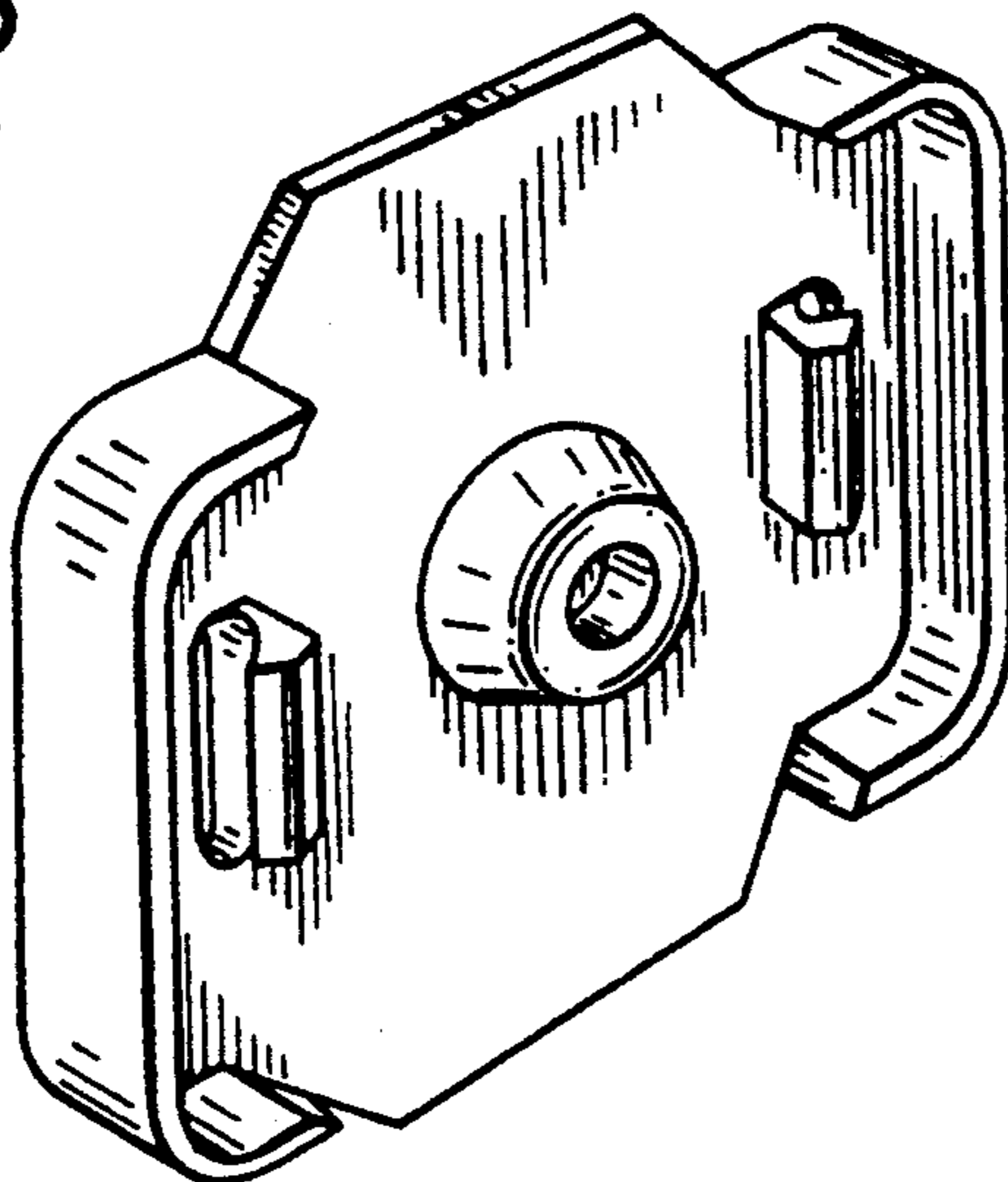


FIG-3

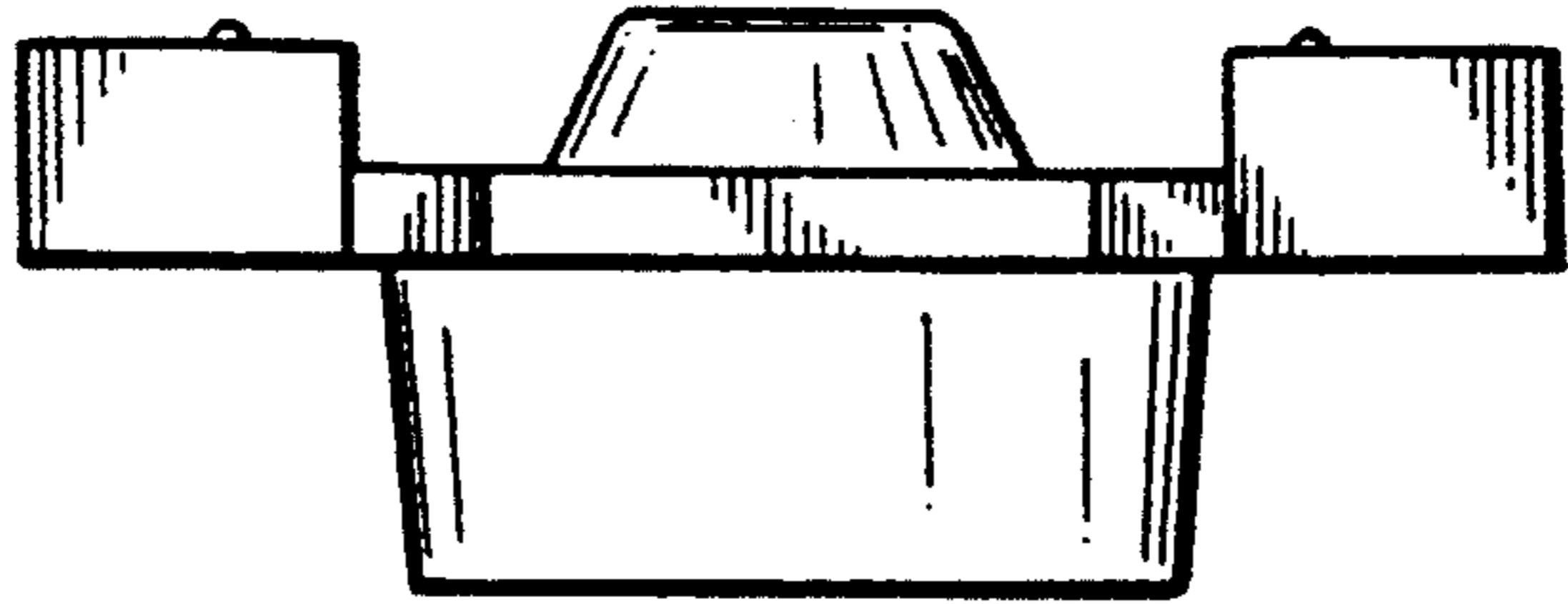


FIG-4

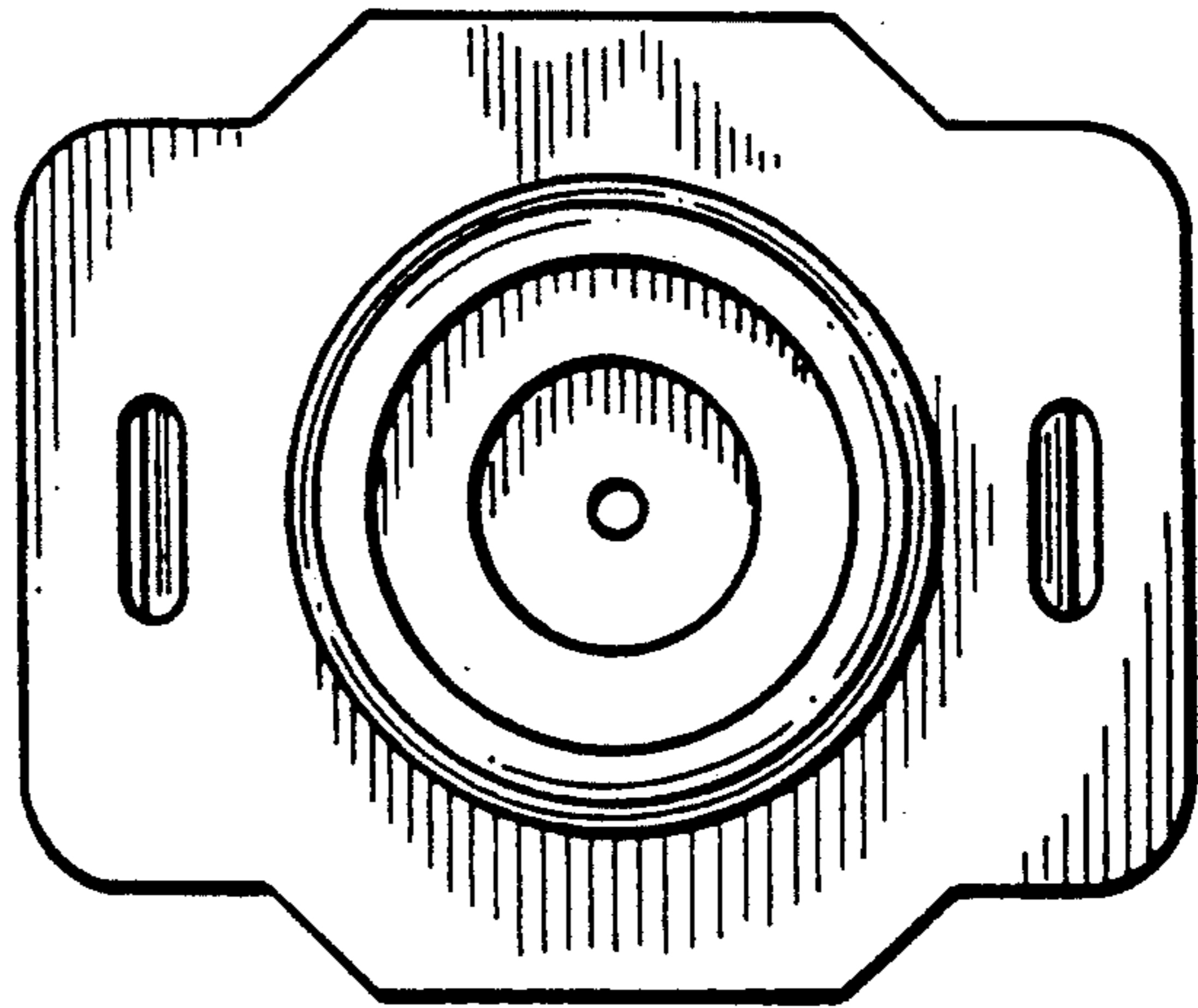


FIG-5

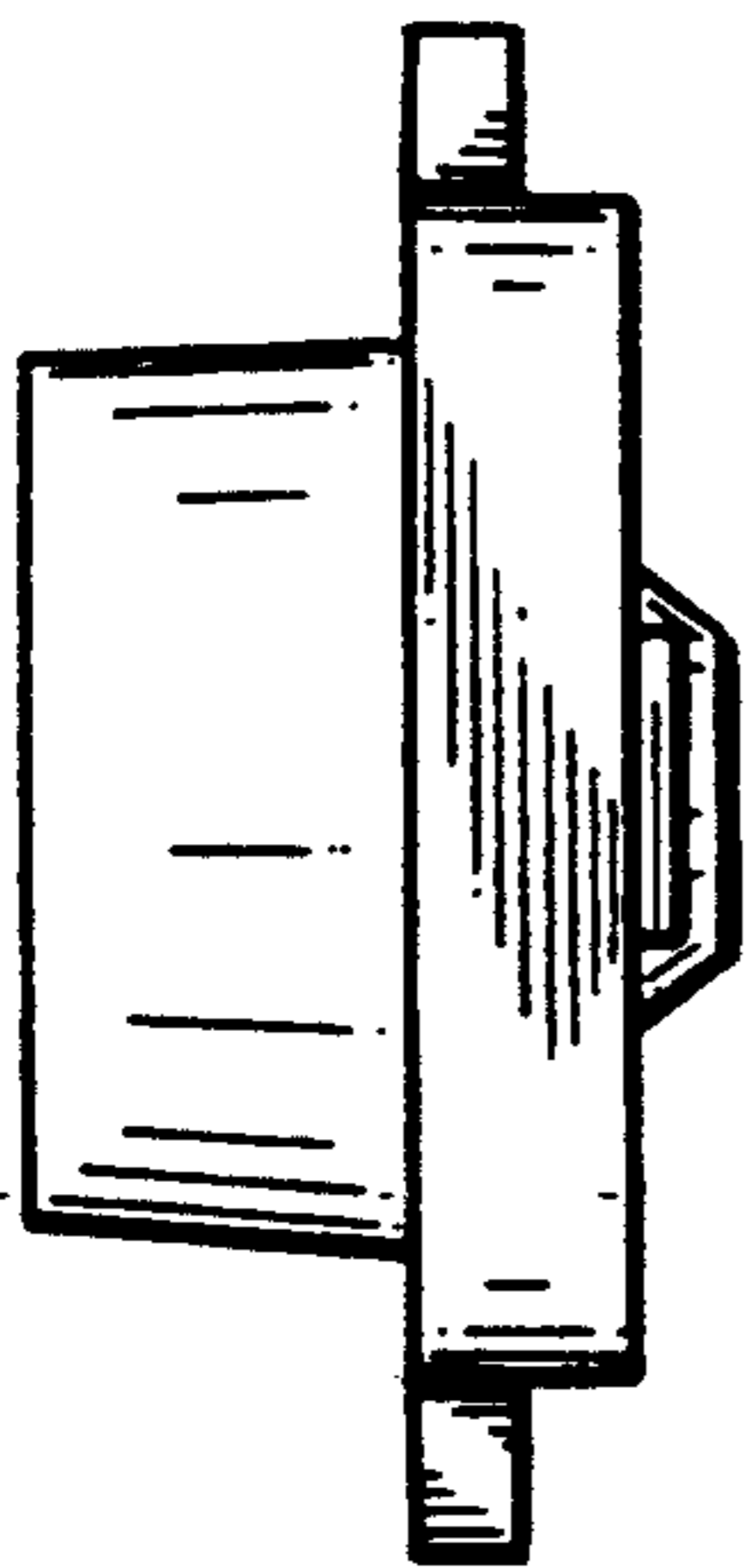


FIG-6

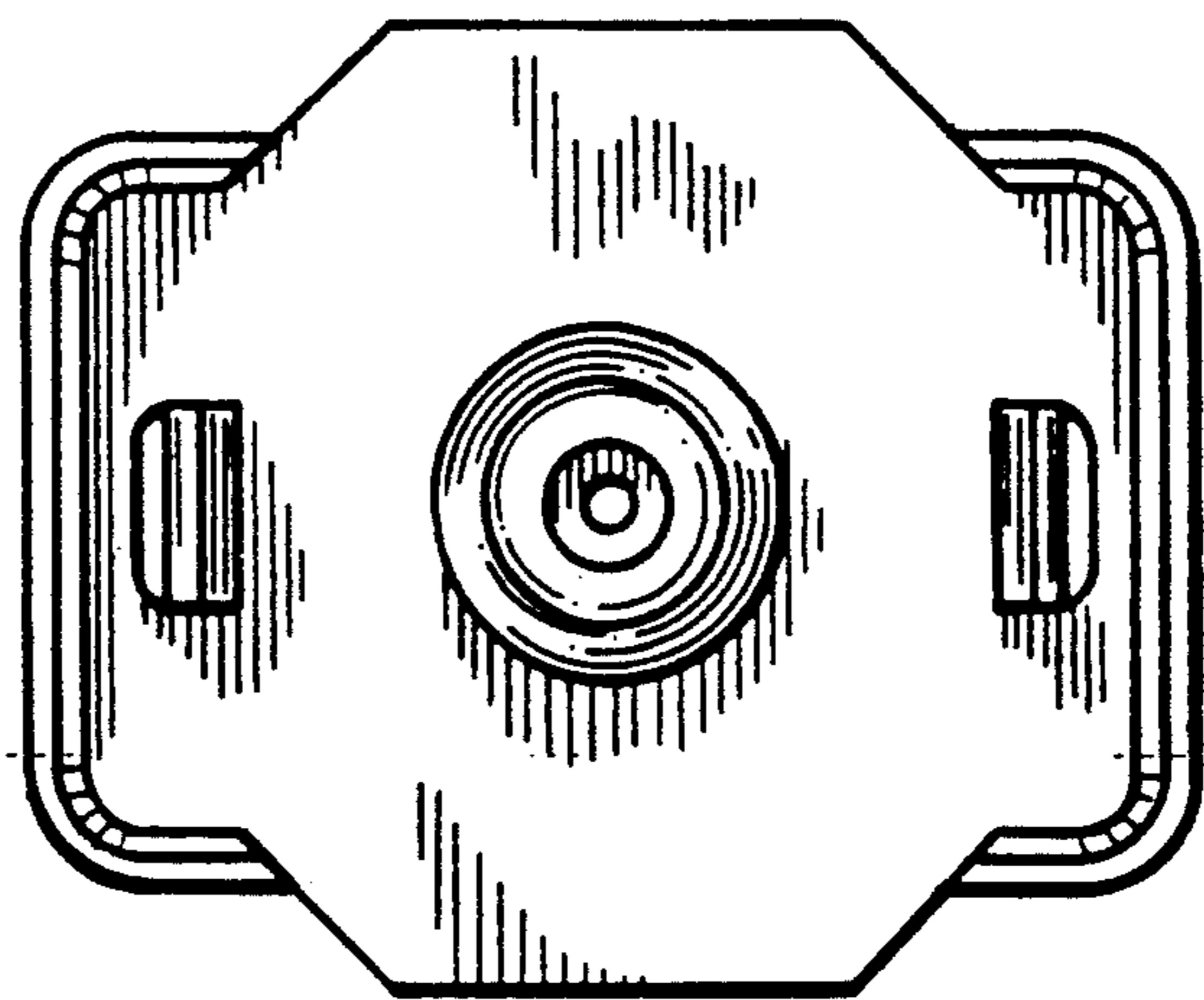


FIG-7

