



US00D335534S

United States Patent [19]

[11] Patent Number: **Des. 335,534**

Hirsch et al.

[45] Date of Patent: **** May 11, 1993**

[54] **GASTROSTOMY TUBE**

[75] Inventors: **William H. Hirsch, Columbus, Ohio;**
Kent E. Iversen, Freehold, N.J.

[73] Assignee: **Abbott Laboratories, Abbott Park,**
Ill.

[**] Term: **14 Years**

[21] Appl. No.: **648,435**

[22] Filed: **Jan. 28, 1991**

[52] U.S. Cl. **D24/108; D24/107**

[58] Field of Search **D24/108; 604/101, 104,**
604/105

[56] **References Cited**

U.S. PATENT DOCUMENTS

D. 323,886	2/1992	Picha et al.	D24/108
D. 323,887	2/1992	Picha et al.	D24/108
D. 328,787	8/1992	Picha et al.	D24/108
4,863,438	9/1989	Gauderer et al.	604/105 X
4,944,732	7/1990	Russo	604/105 X

Primary Examiner—Stella Reid

Assistant Examiner—I. Simmons

Attorney, Agent, or Firm—Lonnie R. Drayer; Donald O. Nickey

[57] **CLAIM**

The ornamental design for a gastrostomy tube, as shown.

DESCRIPTION

FIG. 1 is a perspective view of a gastrostomy tube, showing our new design;

FIG. 2 is a front elevational view thereof;

FIG. 3 is a fragmentary side elevational view thereof, the opposite side elevational view being identical thereto;

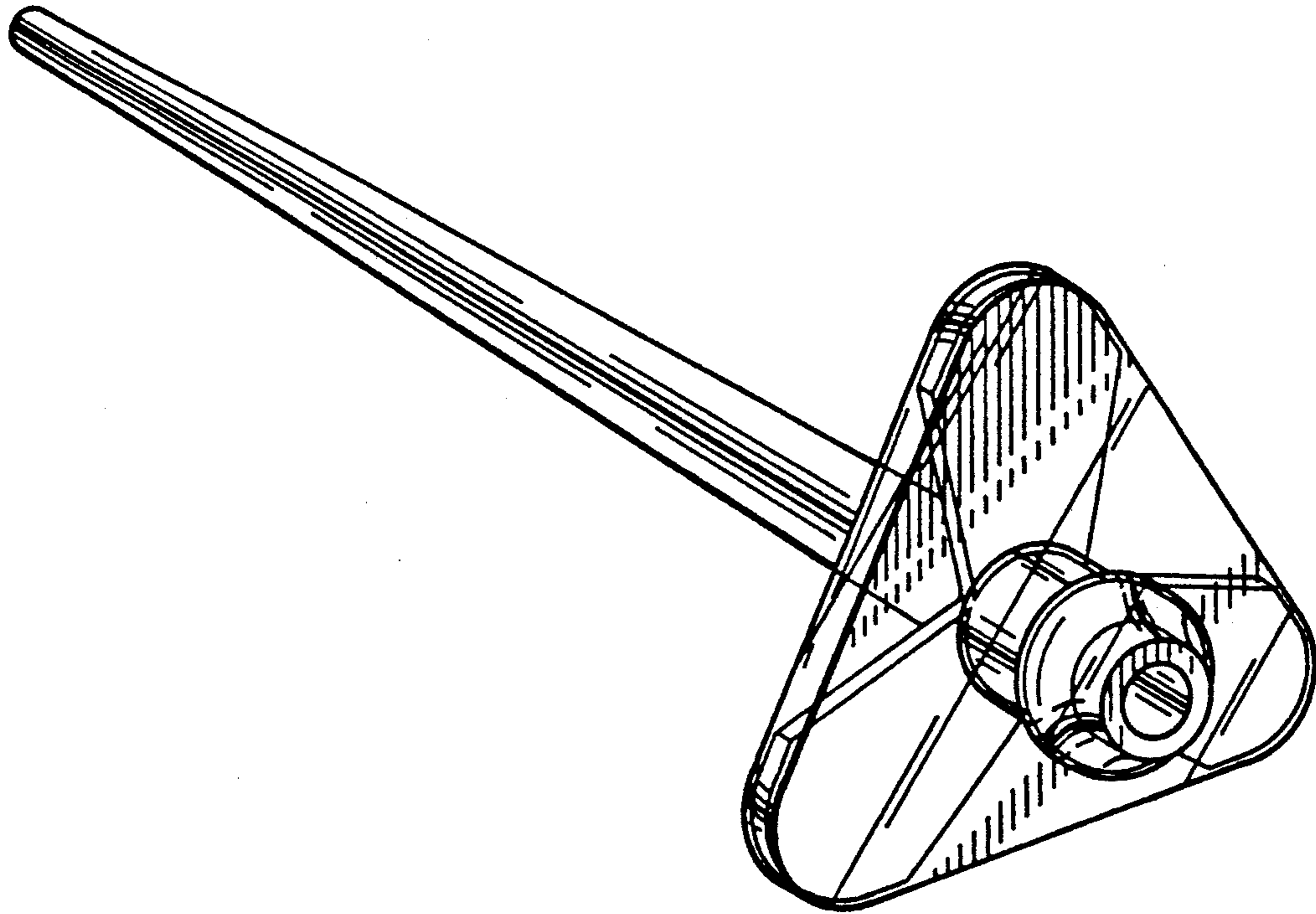
FIG. 4 is a rear elevational view thereof;

FIG. 5 is a perspective view of a second embodiment of the gastrostomy tube shown in FIG. 1;

FIG. 6 is a front elevational view thereof;

FIG. 7 is a fragmentary side elevational view thereof, the opposite side elevational view being identical thereto; and,

FIG. 8 is a rear elevational view thereof.



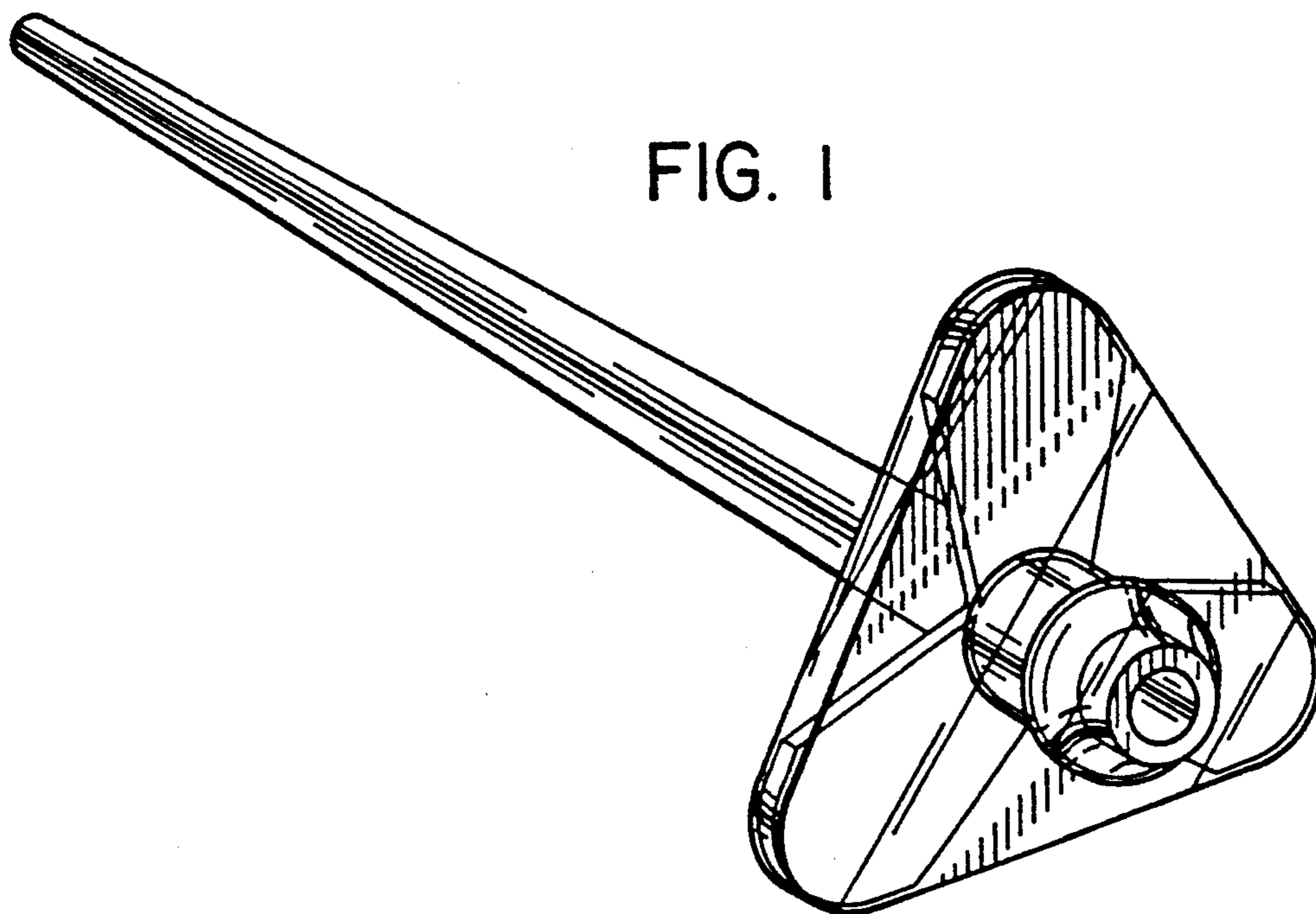


FIG. 1

FIG. 2

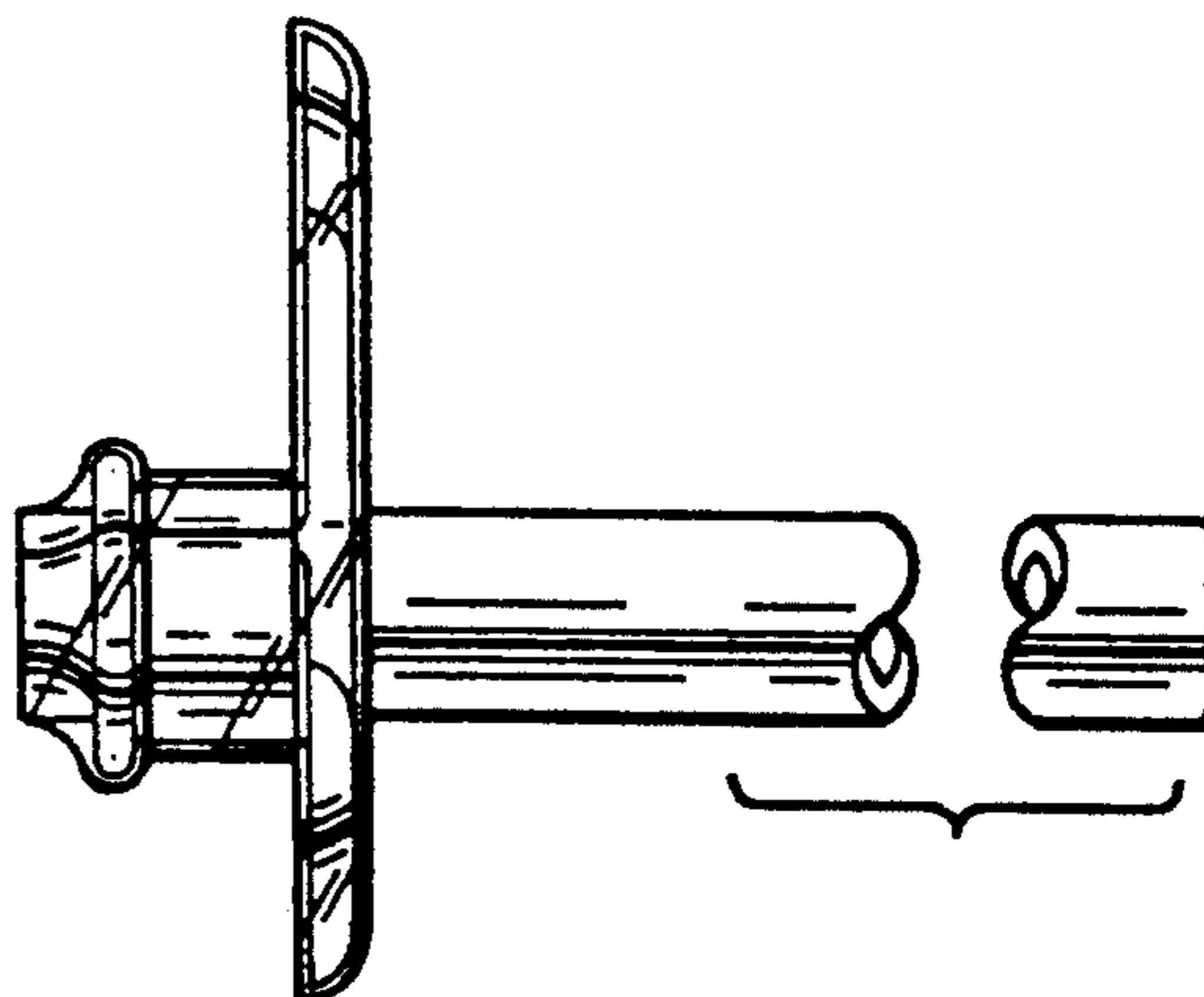
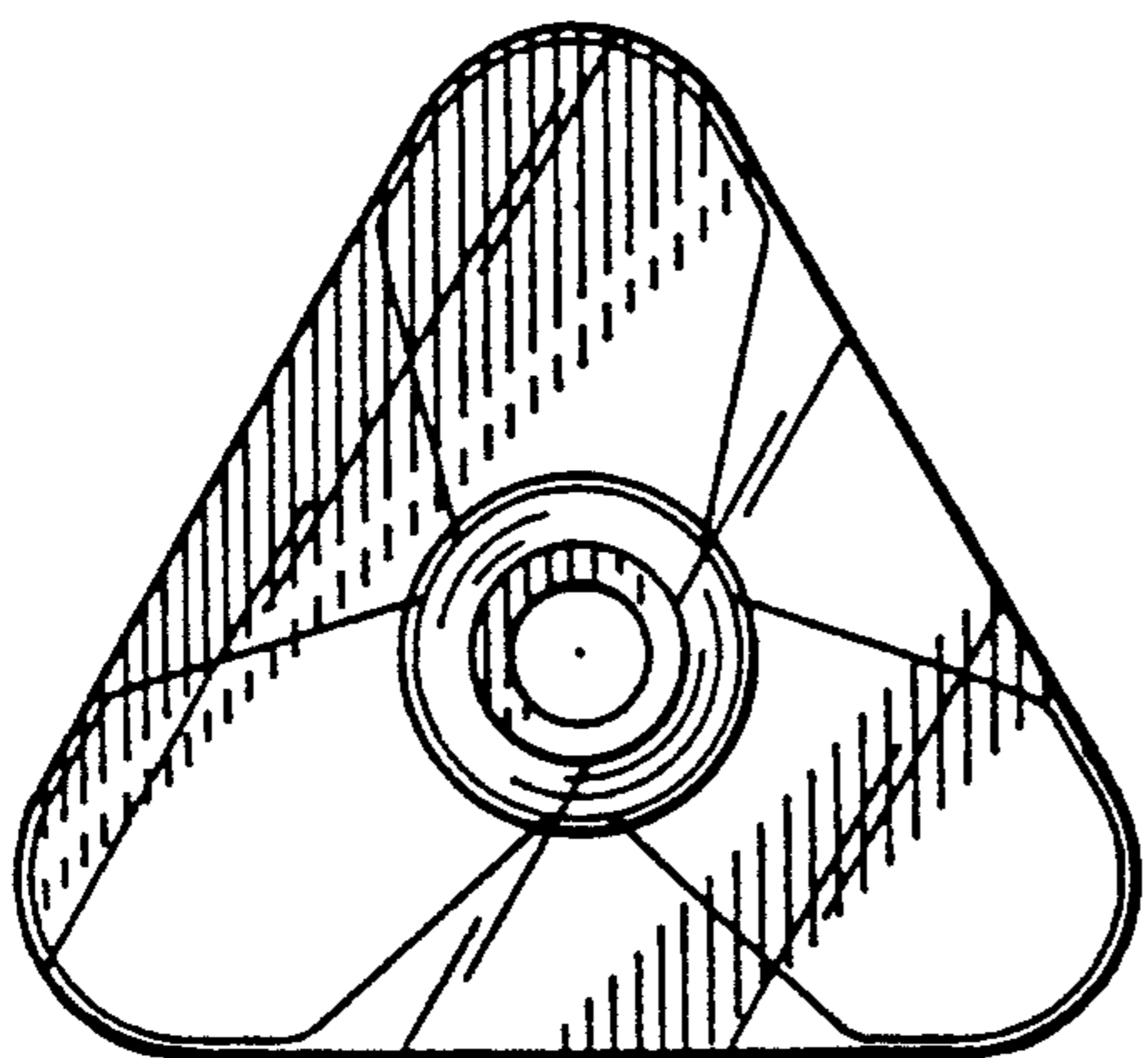


FIG. 3

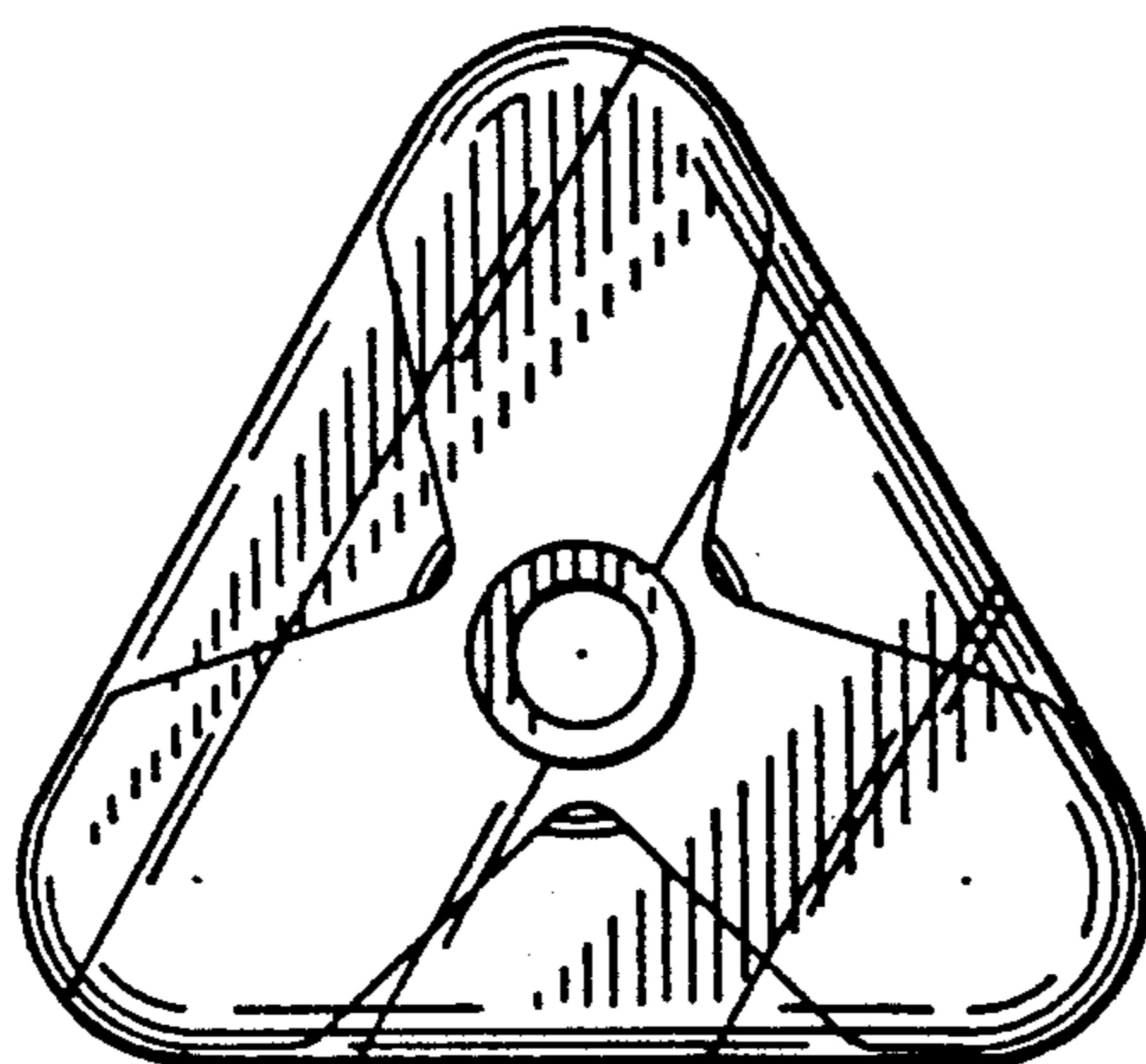


FIG. 4

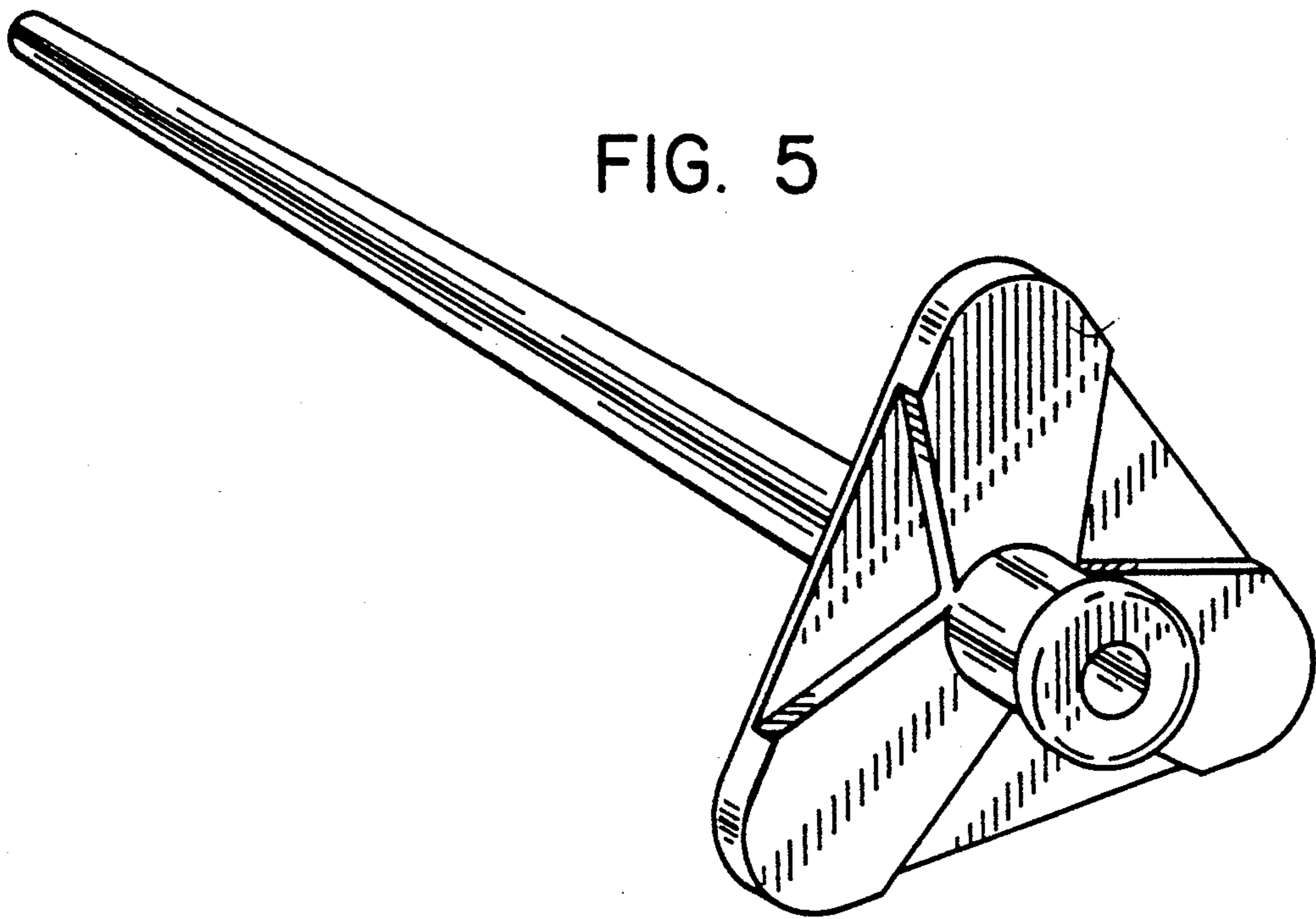


FIG. 6

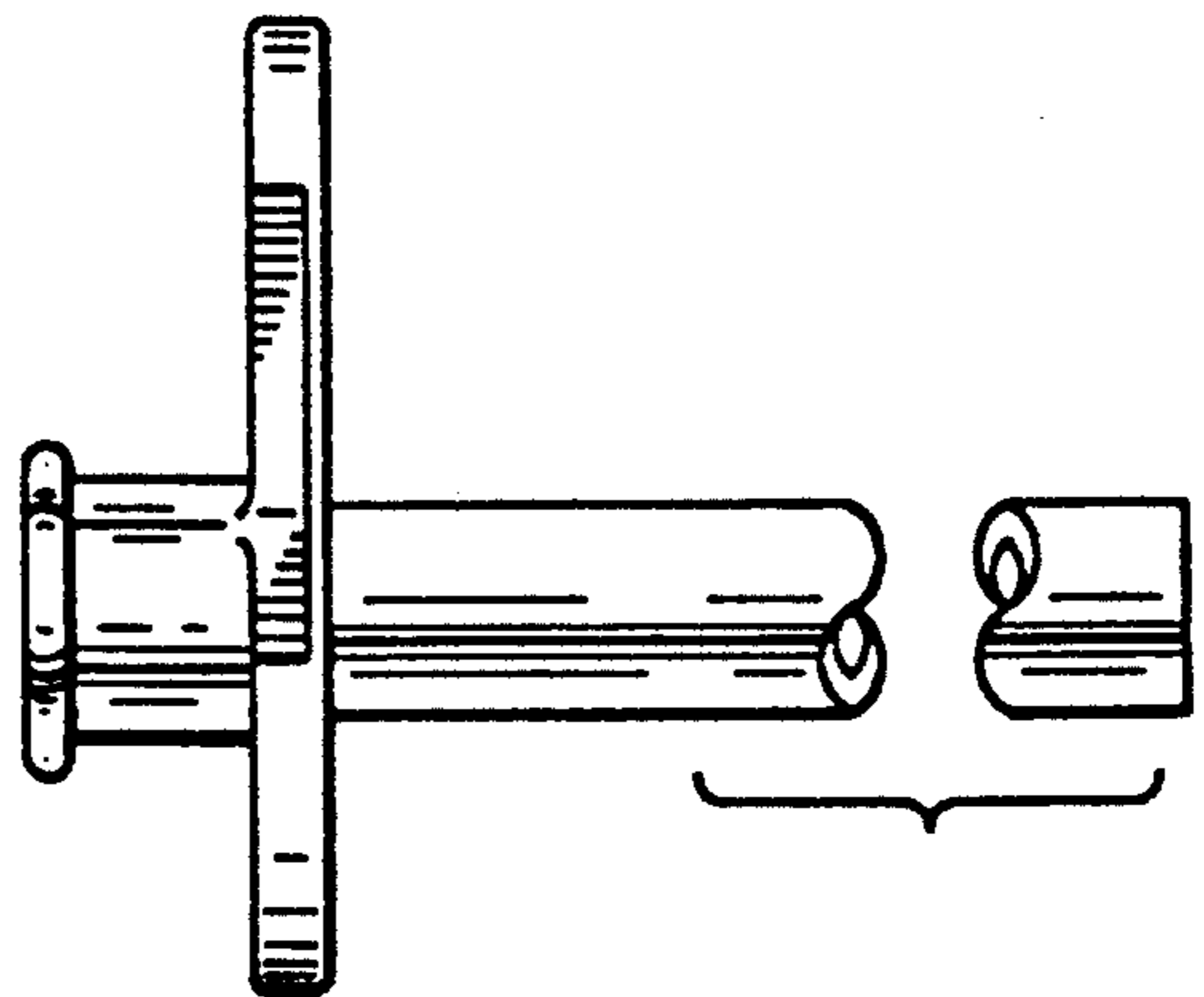
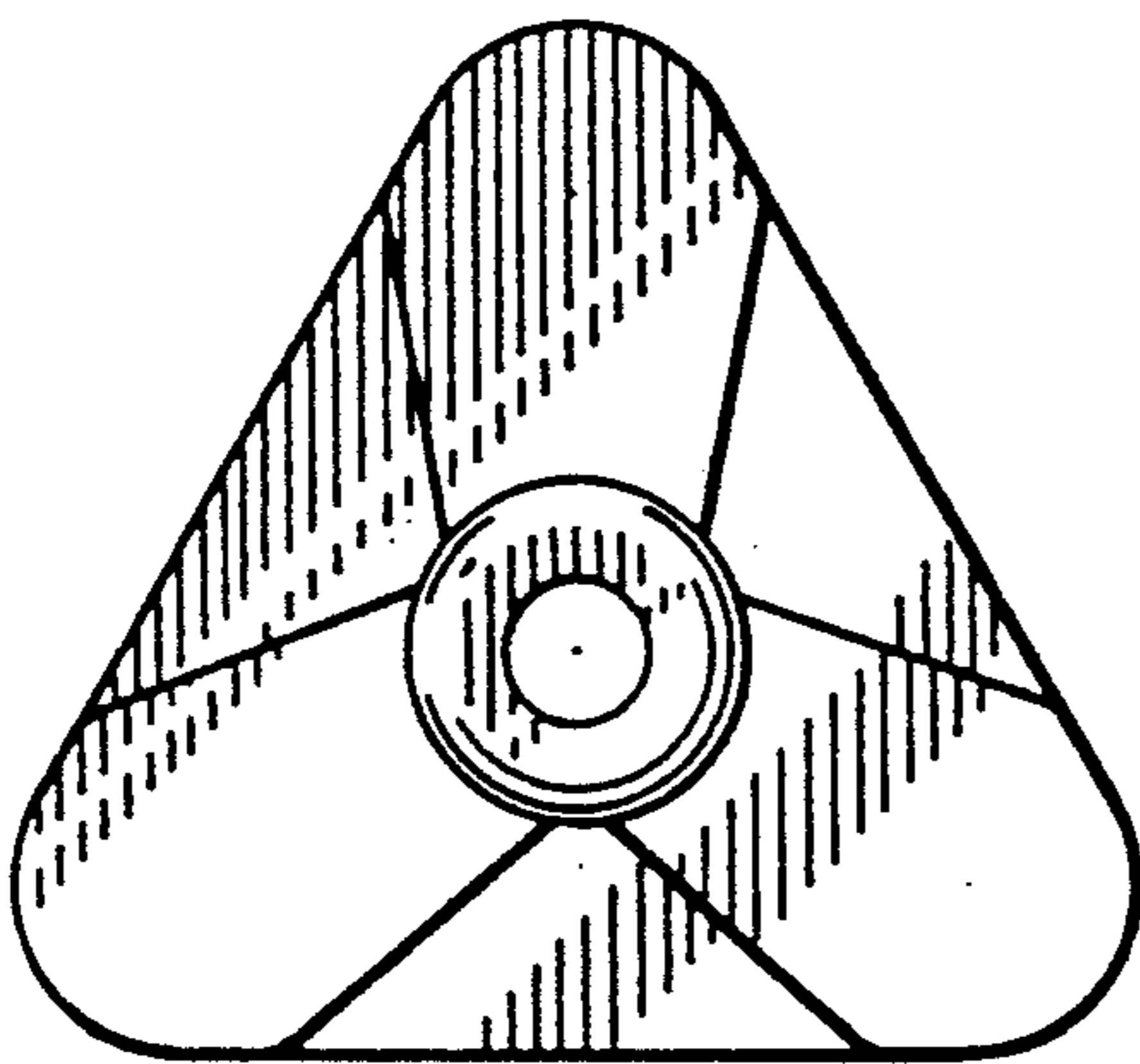


FIG. 7

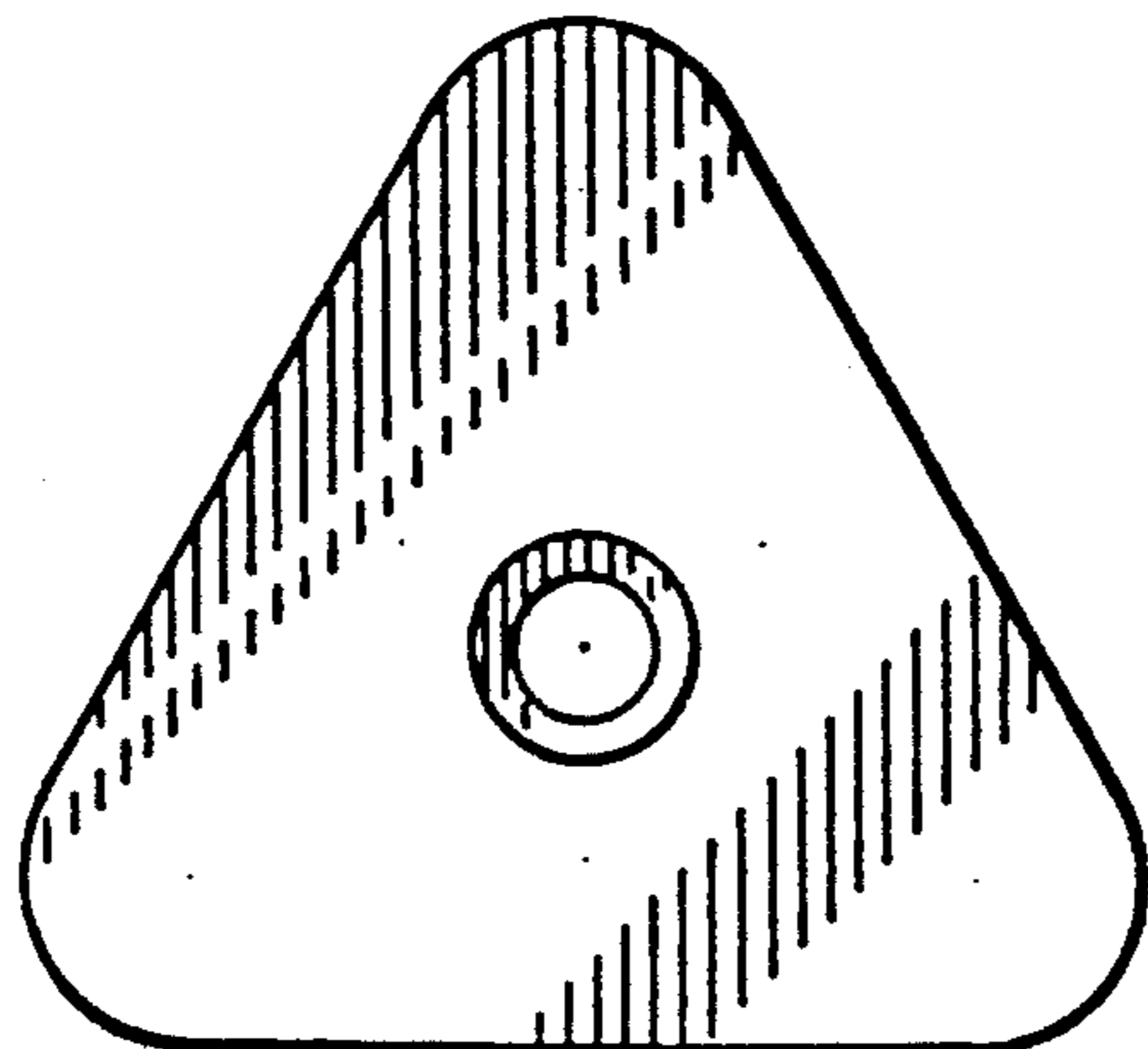


FIG. 8