



US00D335532S

# United States Patent [19]

[11] Patent Number: **Des. 335,532**

Lopez

[45] Date of Patent: **\*\* May 11, 1993**

[54] **ELECTRIC BLOWER HOUSING FOR SPAS, HYDROTHERAPY BATHS, AND ABOVE-GROUND SKID PACKS**

*Primary Examiner*—Wallace R. Burke  
*Assistant Examiner*—Lisa Lichtenstein  
*Attorney, Agent, or Firm*—Robert N. Schlesinger

[76] Inventor: **Robert Lopez, 1219 S. Bonview Ave., Ontario, Calif. 91761**

[57] **CLAIM**

[\*\*] Term: **14 Years**

The ornamental design for an electric blower housing for spas, hydrotherapy baths, and above-ground skid packs, as shown and described.

[21] Appl. No.: **676,231**

**DESCRIPTION**

[22] Filed: **Mar. 27, 1991**

[52] U.S. Cl. .... **D23/383**

[58] Field of Search ..... **D23/383;**  
**4/541.1-541.6, 213; 415/220, 221; 417/423.1,**  
**423.14**

FIG. 1 is a side view of the electric blower housing for spas, hydrotherapy baths, and above-ground skid packs, and showing my new design;

FIG. 2 is an isometric side view of the electric blower housing;

FIG. 3 is an isometric view of the input end of the electric blower housing, the opposite end being the output (exhaust) end;

FIG. 4 is an isometric view of the output (exhaust) end of the electric blower housing, the opposite end being the input end;

FIG. 5 is a view of the input end of the electric blower housing, the opposite end being the output (exhaust) end; and,

FIG. 6 is a view of the output (exhaust) end of the electric blower housing, the opposite end being the input end.

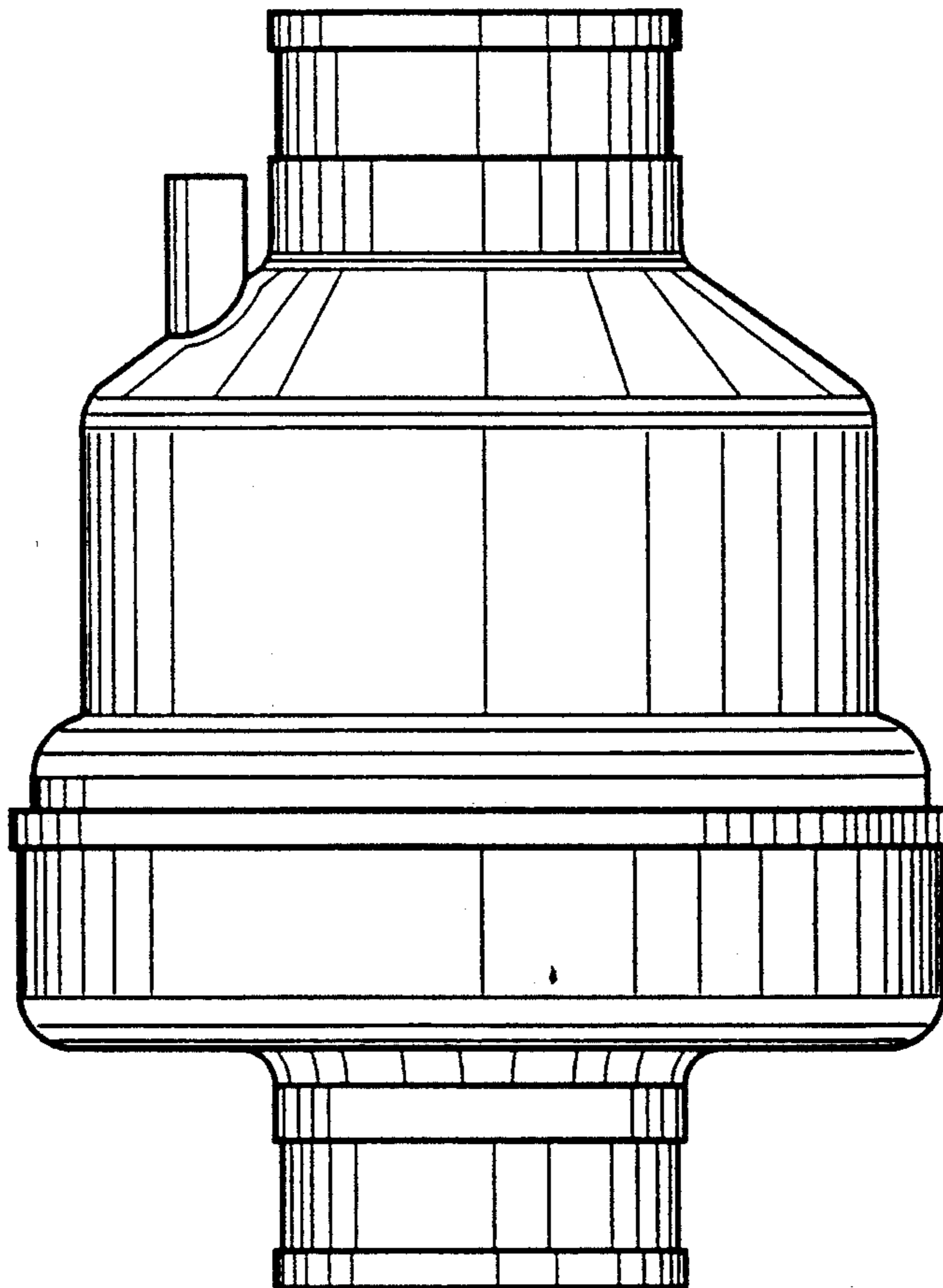
[56] **References Cited**

**U.S. PATENT DOCUMENTS**

- D. 245,994 10/1977 Olson ..... D23/162
- D. 280,661 9/1985 Hill ..... D23/162
- D. 308,417 6/1990 Belanger et al. .... D23/383
- 4,057,372 11/1977 Johnson et al. .... 417/423.14
- 4,950,133 8/1990 Sargent ..... 417/423.14

**FOREIGN PATENT DOCUMENTS**

- 387561 5/1965 Switzerland ..... 4/213



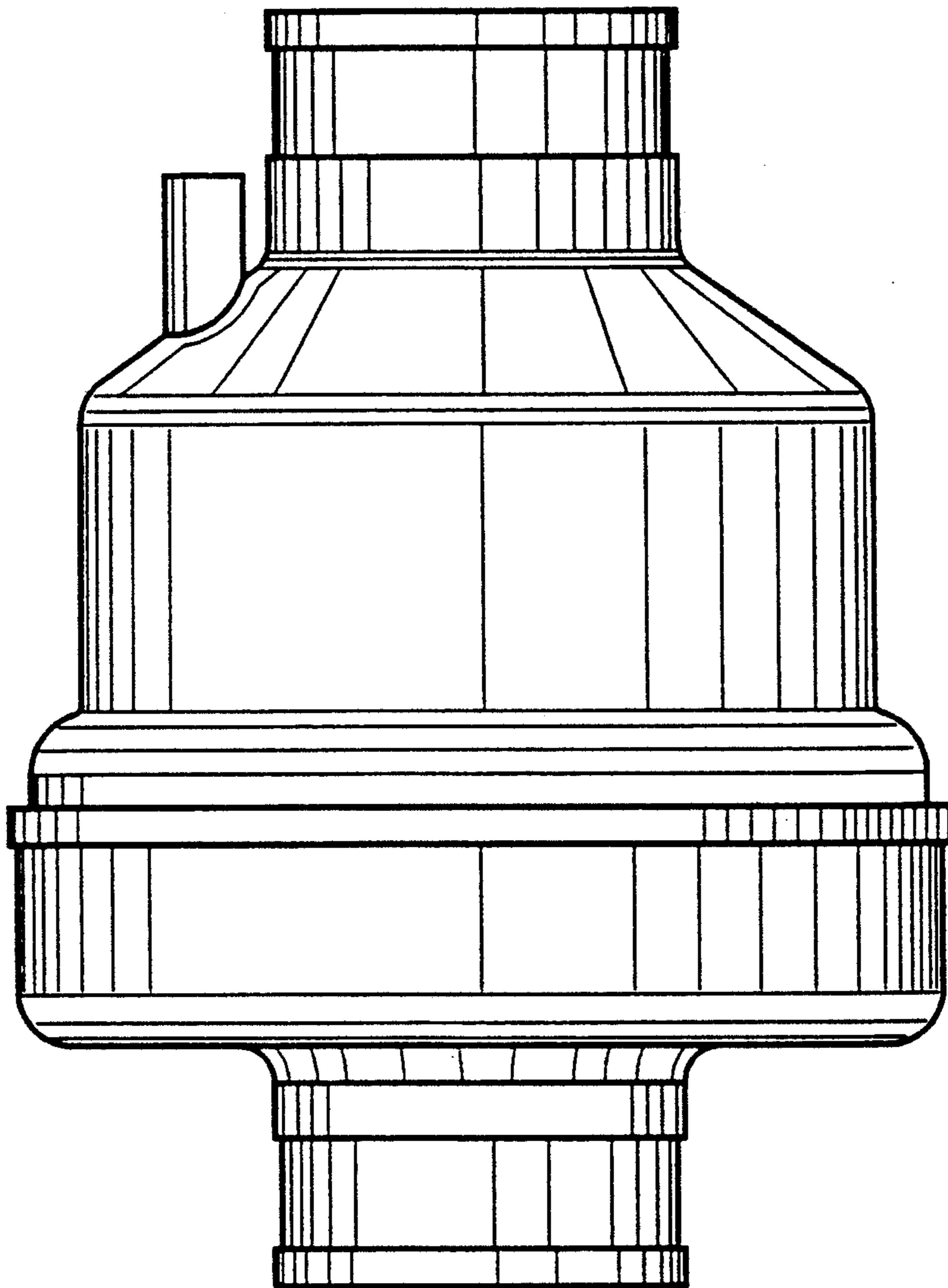


Figure 1

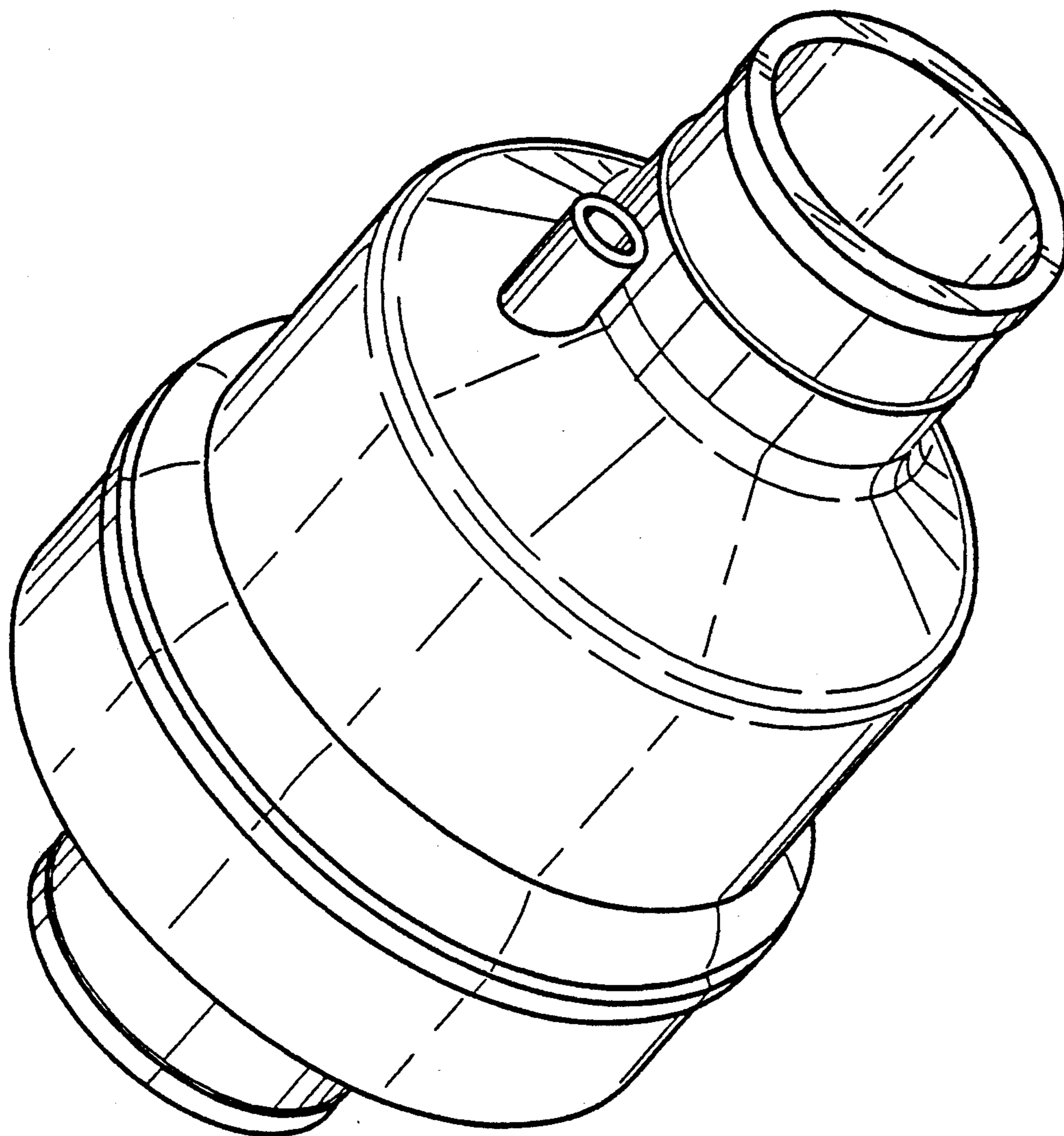


Figure 2

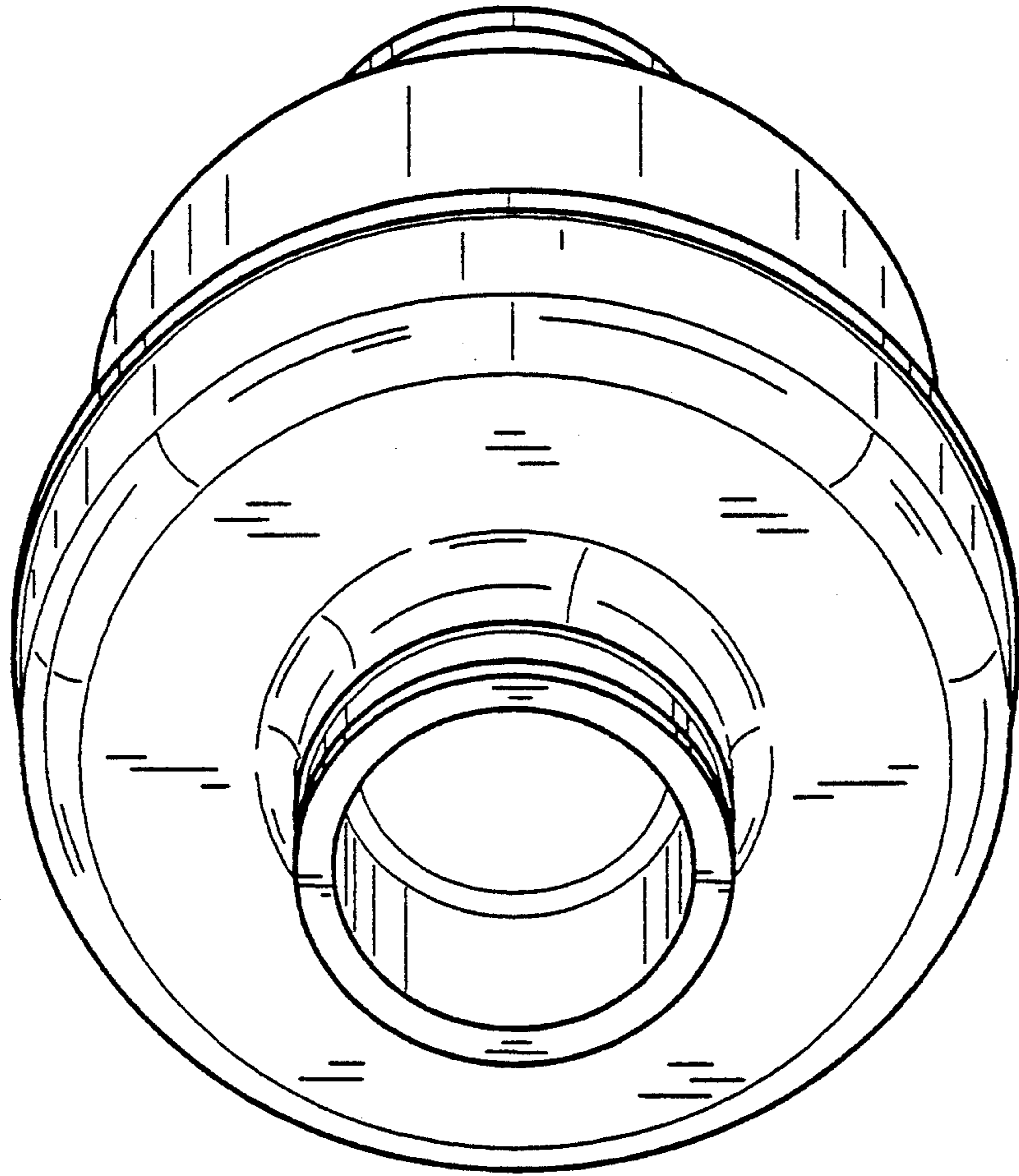


Figure 3

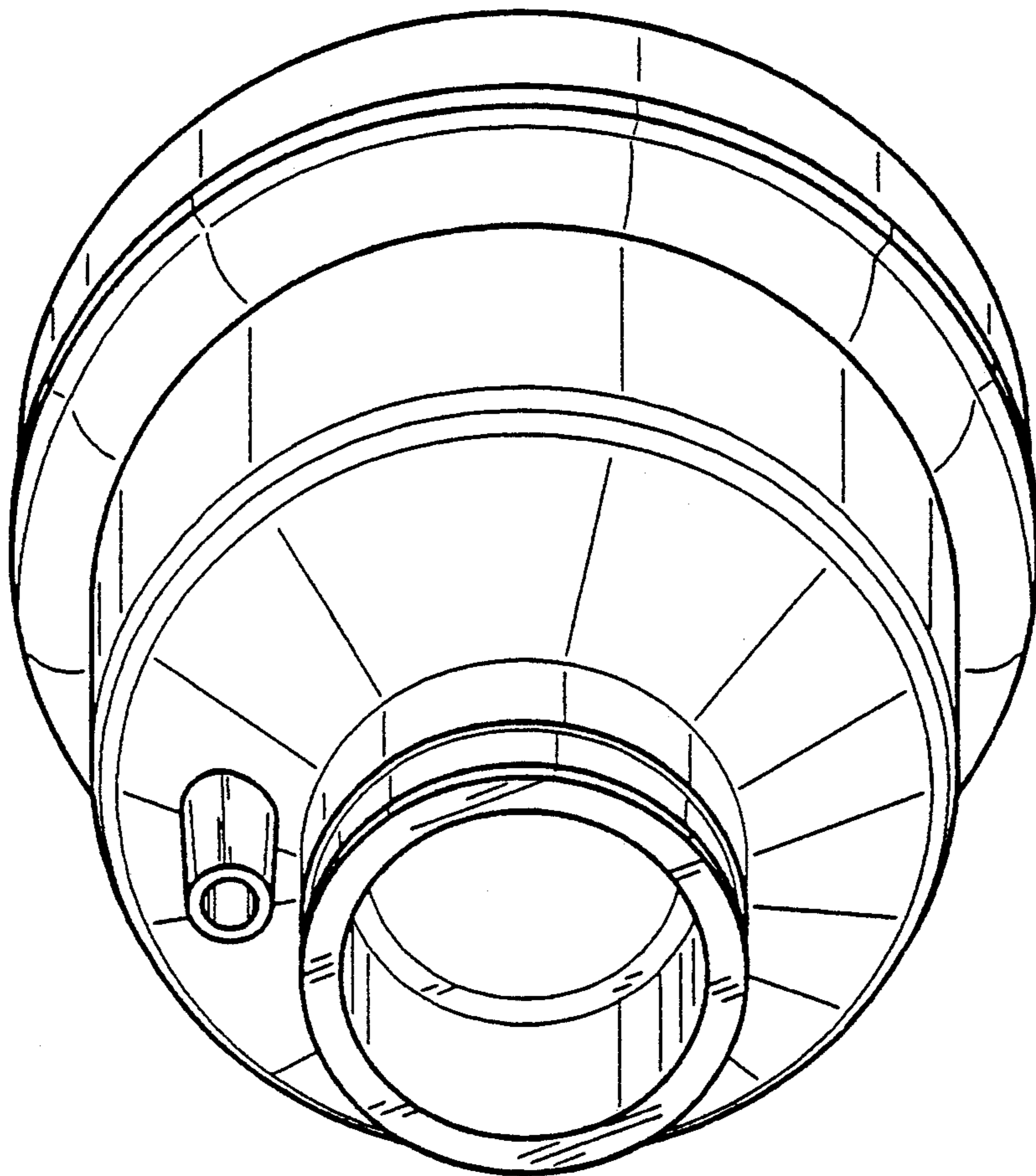


Figure 4

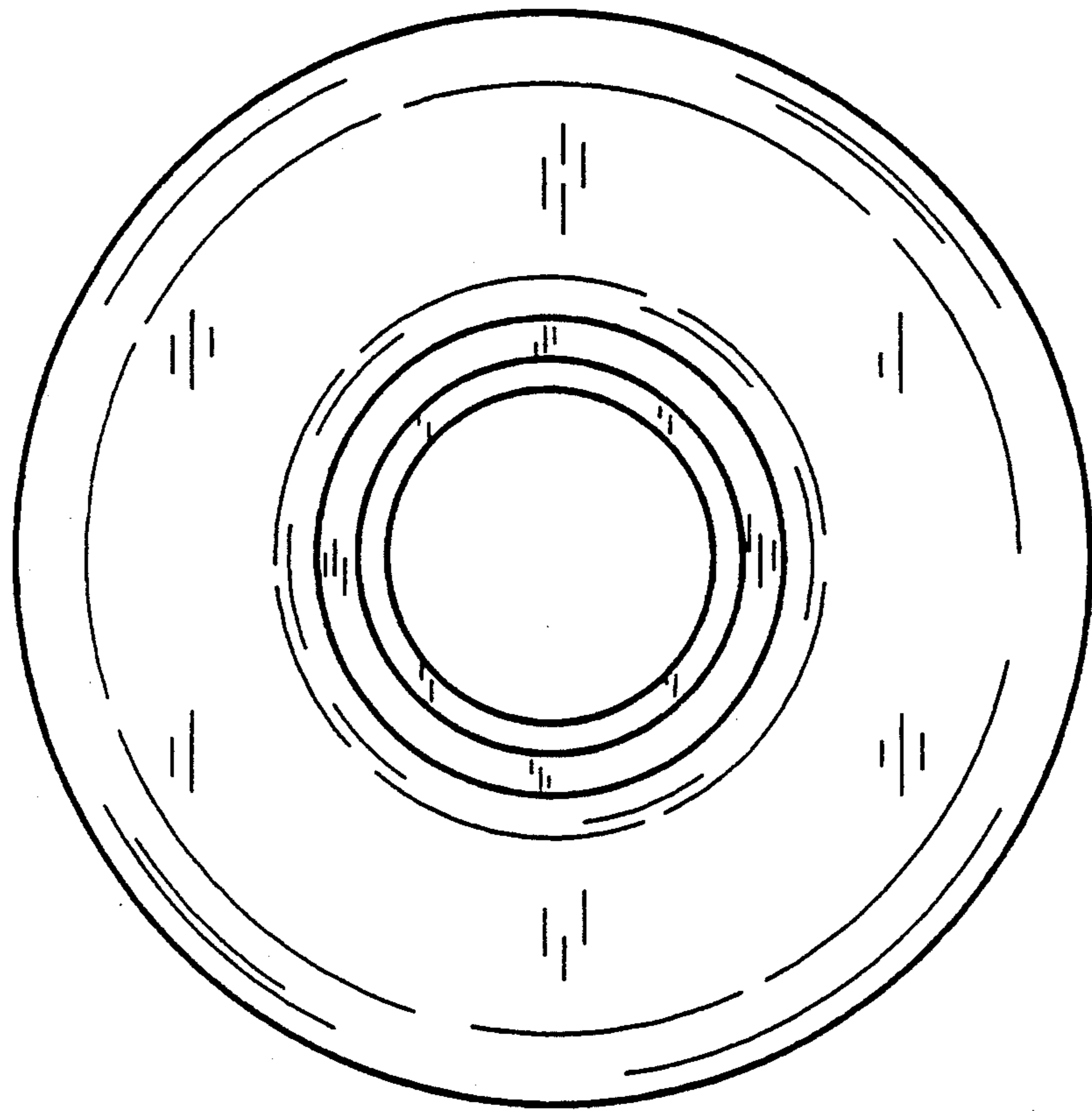


Figure 5

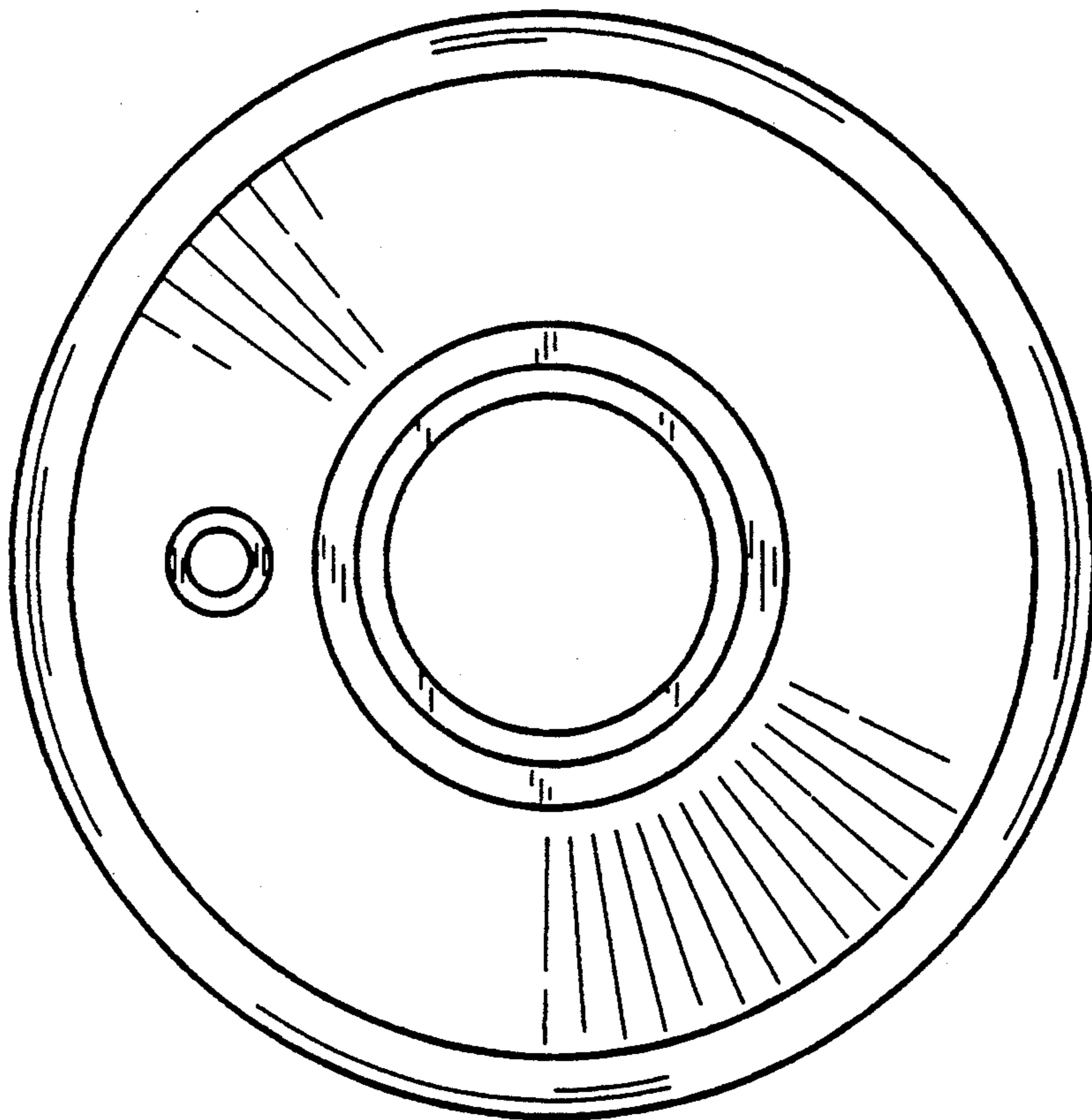


Figure 6