



US00D335530S

United States Patent [19]
Schimanski

[11] **Patent Number: Des. 335,530**
[45] **Date of Patent: ** May 11, 1993**

[54] **ELECTRICAL EVAPORATOR**

[75] **Inventor: Georg Schimanski, Hagen, Fed. Rep. of Germany**

[73] **Assignee: Globol GmbH, Neuburg, Fed. Rep. of Germany**

[**] **Term: 14 Years**

[21] **Appl. No.: 659,186**

[22] **Filed: Feb. 21, 1991**

[30] **Foreign Application Priority Data**

Jan. 8, 1991 [WO] World Int. Prop. O. DM/018525

[52] **U.S. Cl. D23/366**

[58] **Field of Search D23/366-369, D23/360, 356-359; 428/905; 239/136, 135; 392/395, 392, 403, 405; 422/305, 125**

[56] **References Cited**

U.S. PATENT DOCUMENTS

D. 159,407	7/1950	Costello	D23/366
D. 246,986	1/1978	Costello	D23/360
D. 306,478	3/1990	von Philipp et al.	D23/366
D. 307,180	4/1990	Luthy	D23/366
3,872,280	3/1975	Van Dalen	392/395
4,391,781	7/1983	van Lit	422/125
4,588,874	5/1986	Napierski	239/136
5,038,394	8/1991	Hasegawa et al.	392/395

FOREIGN PATENT DOCUMENTS

811129	8/1951	Fed. Rep. of Germany	392/403
3109401	9/1982	Fed. Rep. of Germany	422/305

Primary Examiner—Wallace R. Burke

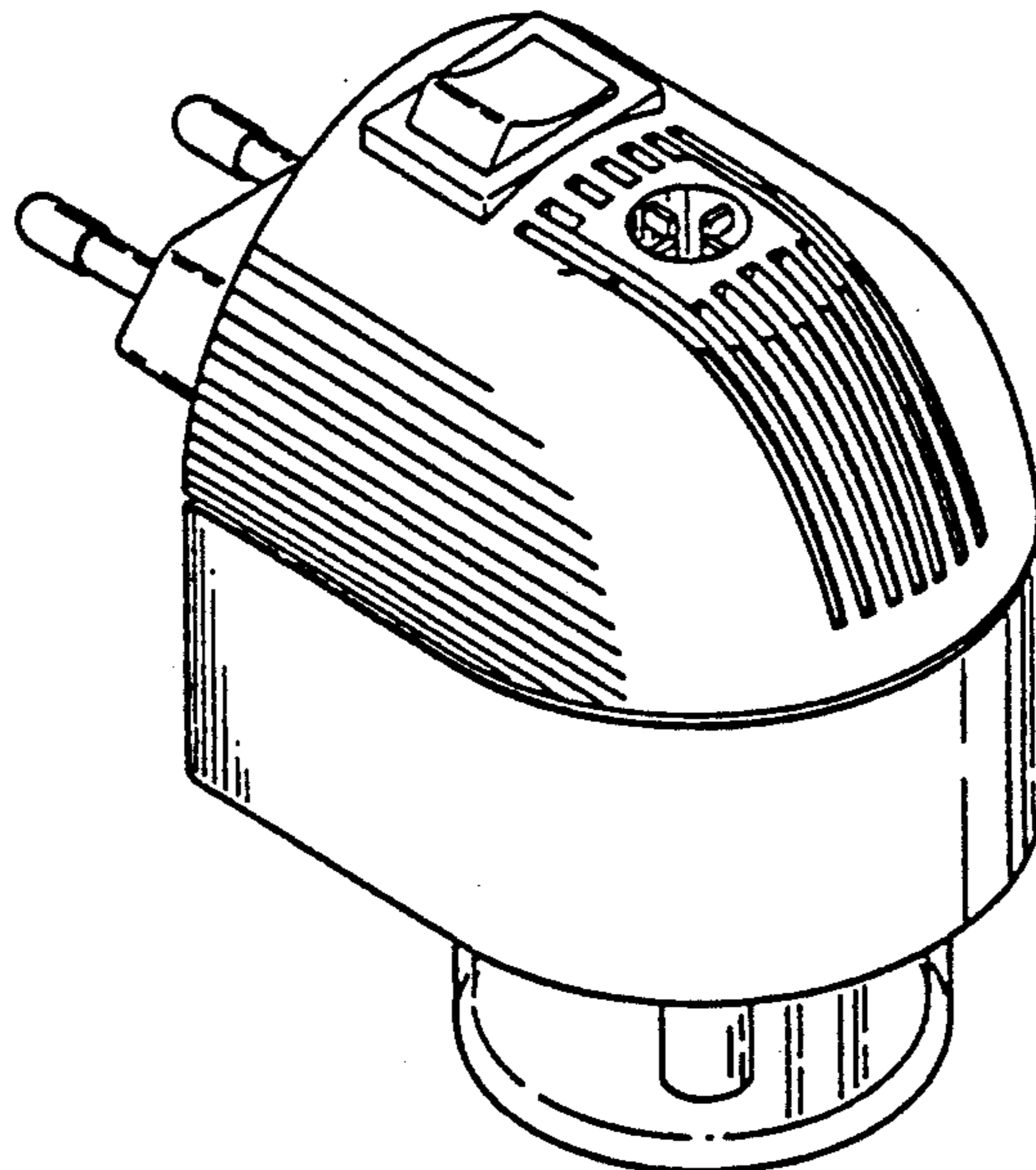
Assistant Examiner—L. Lichtenstein
Attorney, Agent, or Firm—Weingarten, Schurgin, Gagnebin & Hayes

[57] **CLAIM**

The ornamental design for an electrical evaporator, as shown and described.

DESCRIPTION

FIG. 1 is a top, rear and left side perspective view of an electrical evaporator showing my new design;
 FIG. 2 is a rear elevational view thereof;
 FIG. 3 is a left side elevational view thereof, the right side being a mirror image except for the top switch;
 FIG. 4 is a front elevational view thereof;
 FIG. 5 is a top plan view thereof;
 FIG. 6 is a top, rear and right side perspective view of an electrical evaporator showing a second embodiment of my new design;
 FIG. 7 is a left side elevational view of FIG. 6, the right side being a mirror image of that shown;
 FIG. 8 is a front elevational view of FIG. 6;
 FIG. 9 is a top plan view of FIG. 6;
 FIG. 10 is a top, front and left side view of an electrical evaporator showing a third embodiment of my new design;
 FIG. 11 is a right side elevational view of FIG. 10, the opposite side being a mirror image of that shown except for the top switch;
 FIG. 12 is a front elevational view of FIG. 10;
 FIG. 13 is a top plan view of FIG. 10;
 FIG. 14 is a bottom plan view of FIG. 1;
 FIG. 15 is a bottom plan view of FIG. 6; and,
 FIG. 16 is a bottom plan view of FIG. 10.



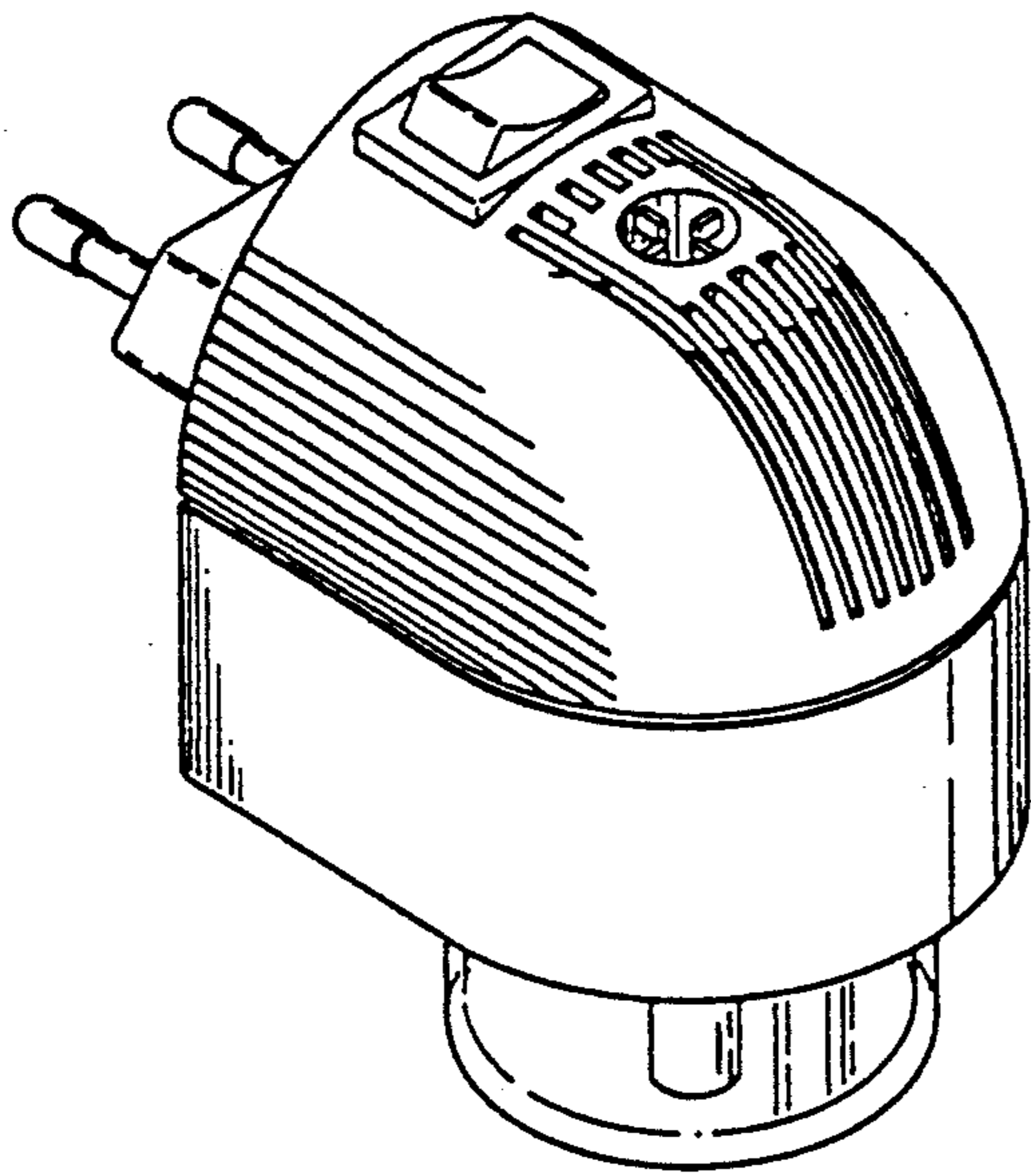


FIG. 1

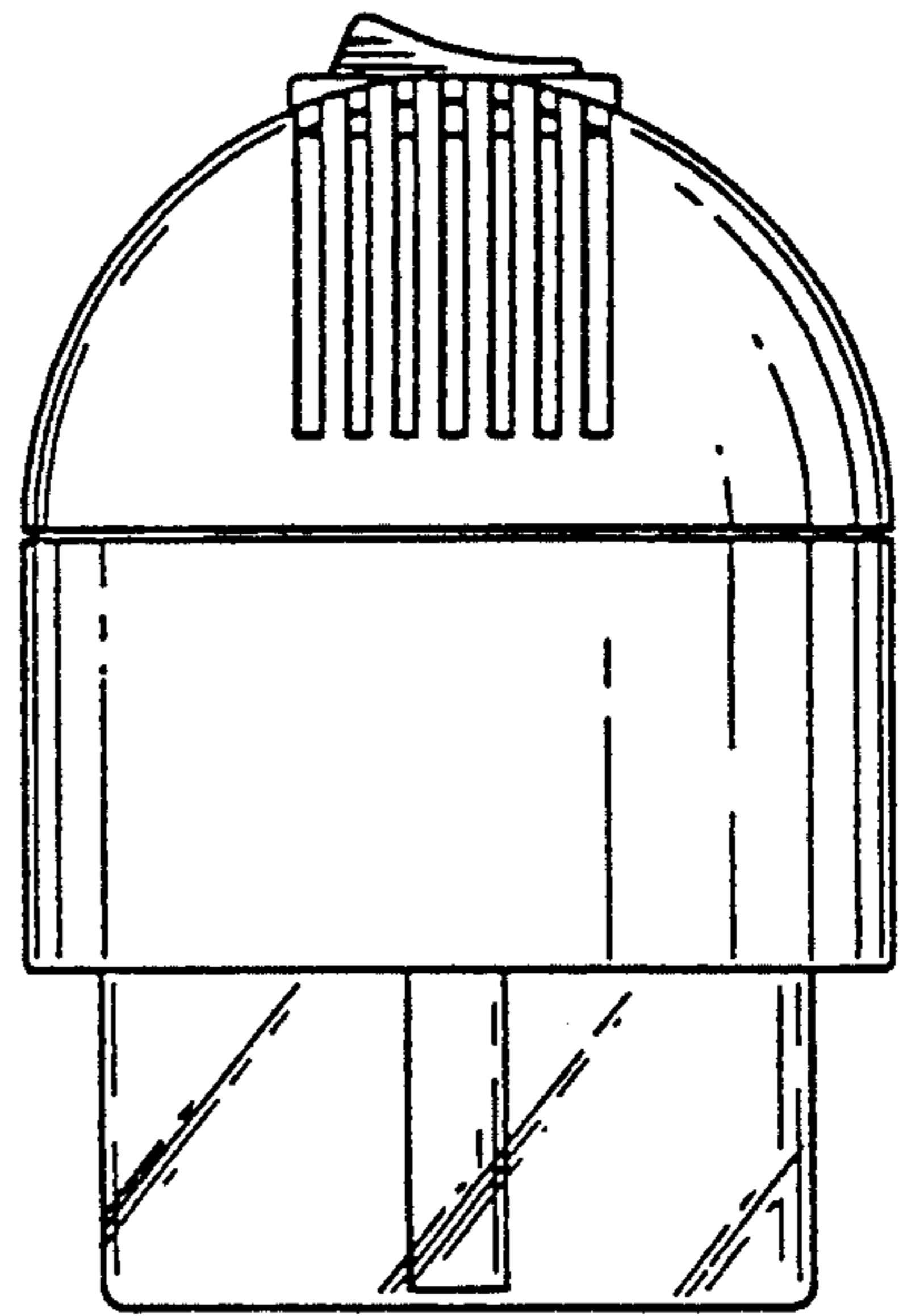


FIG. 2

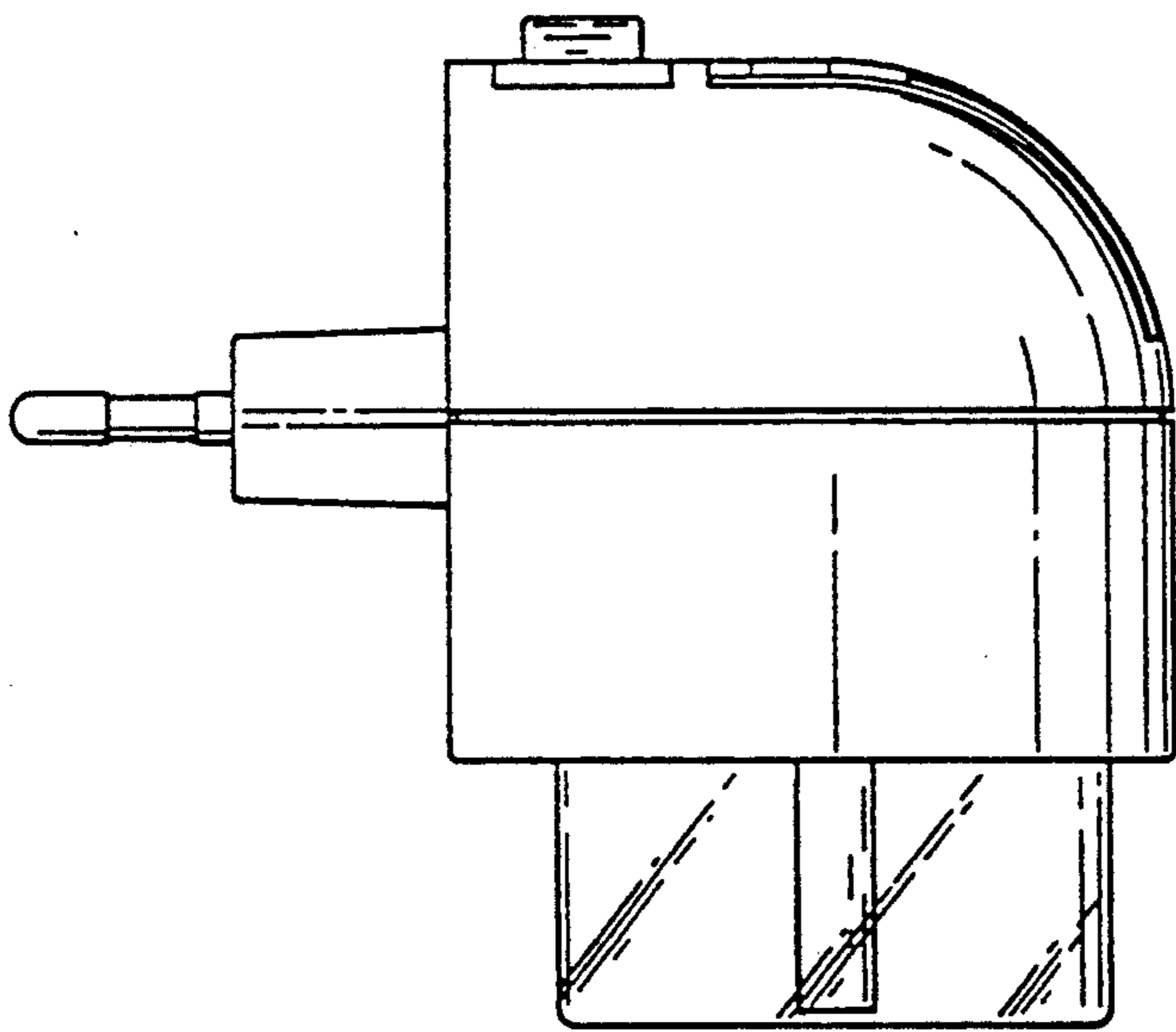


FIG. 3

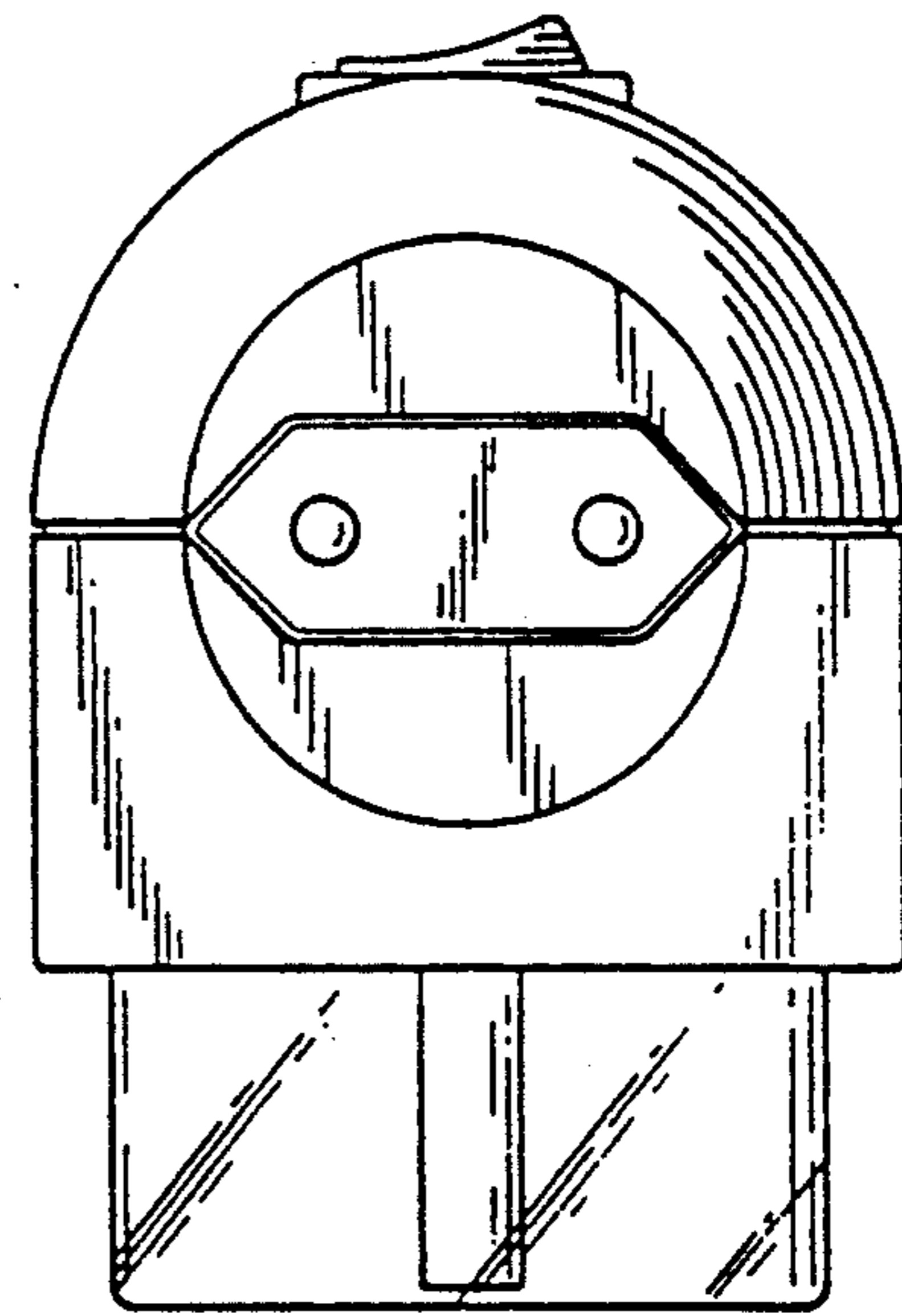


FIG. 4

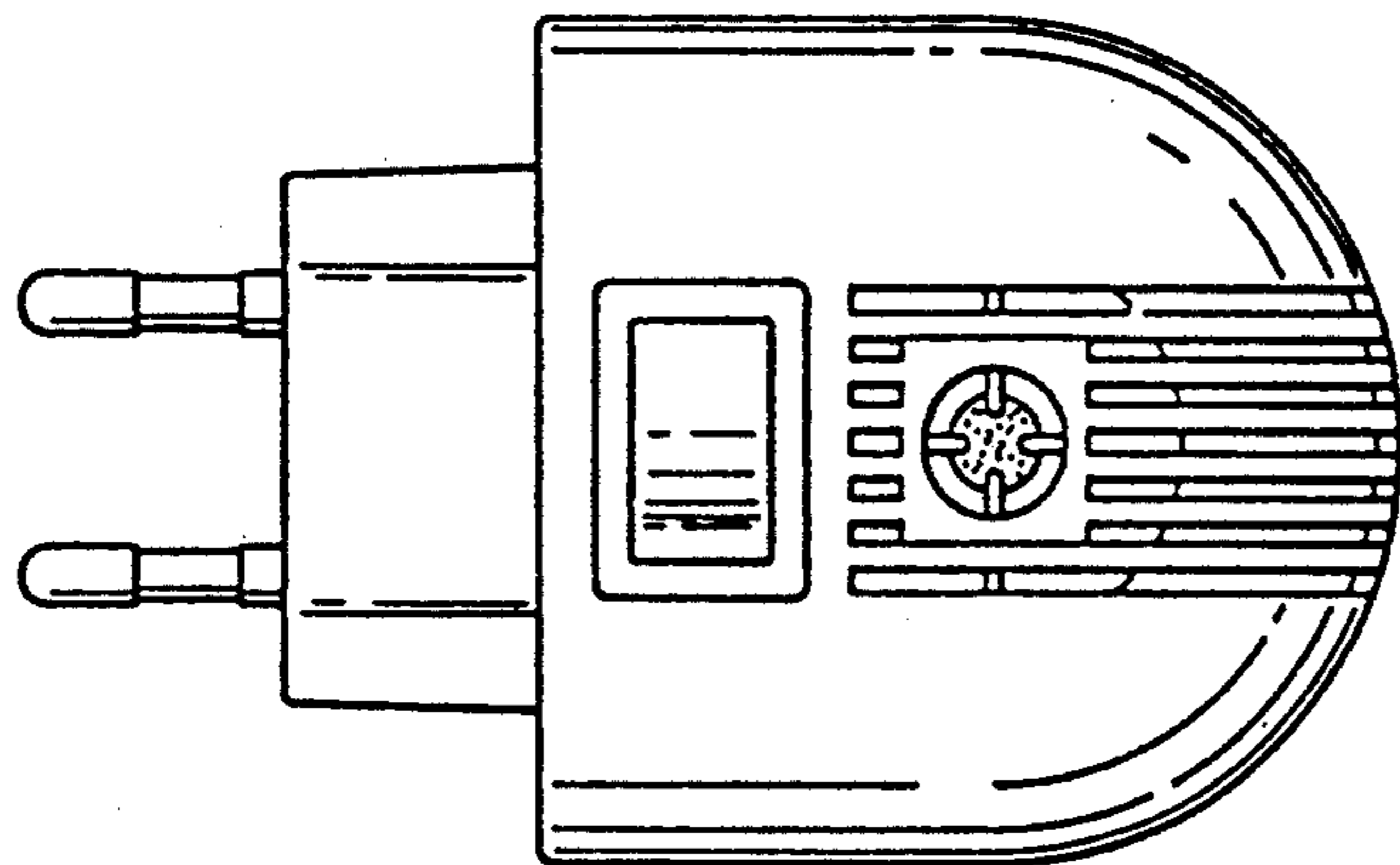


FIG. 5

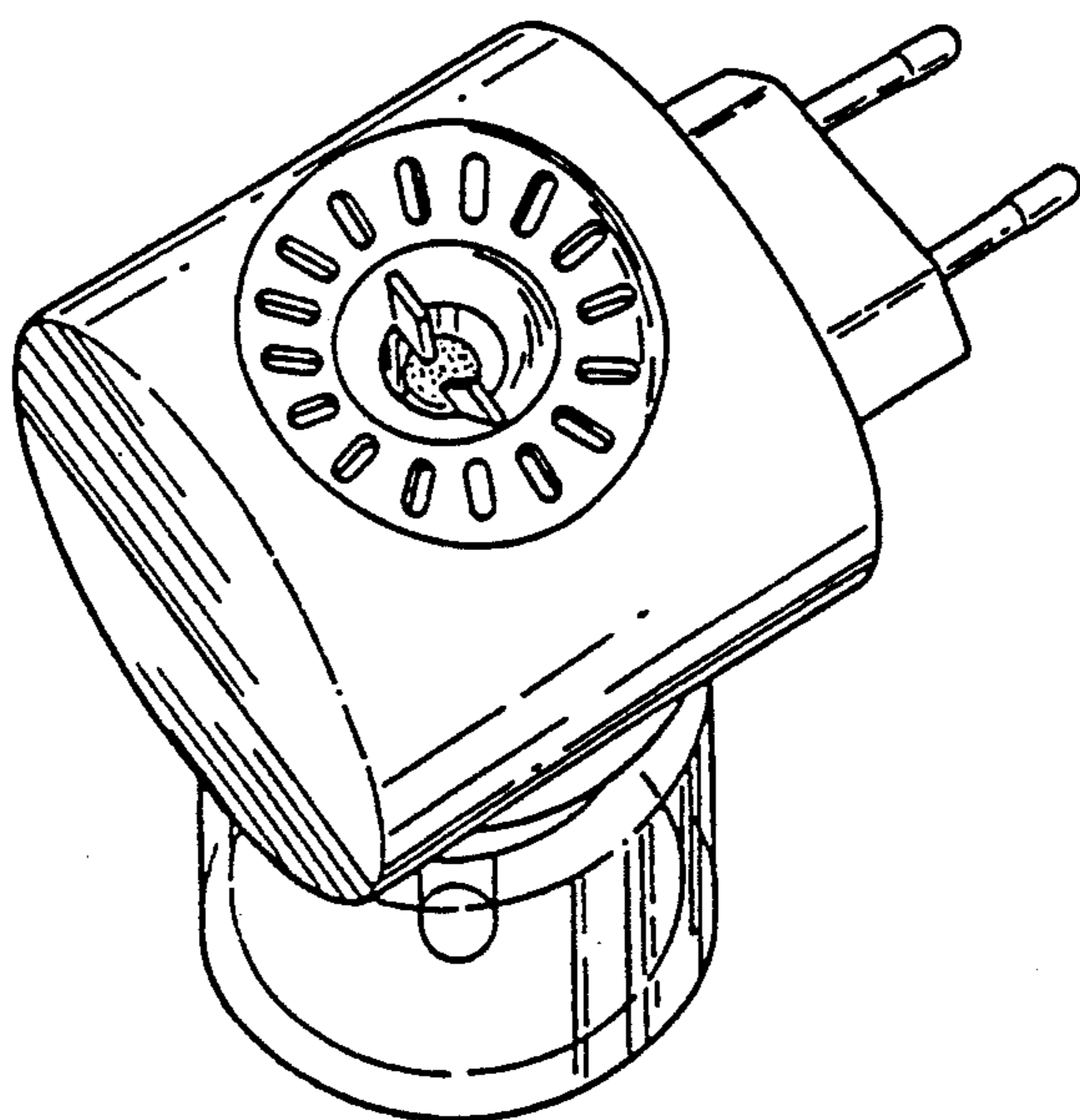


FIG. 6

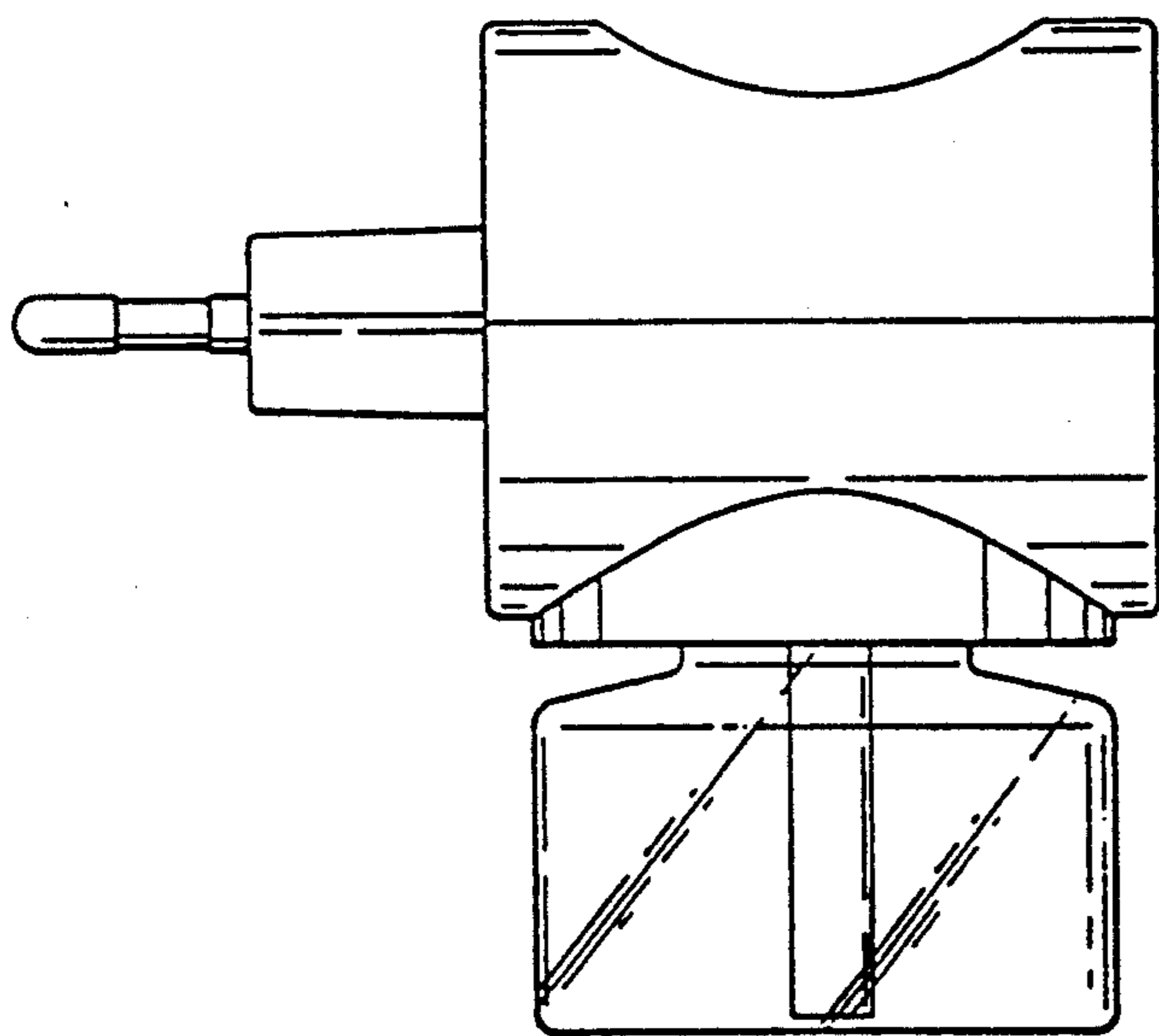


FIG. 7

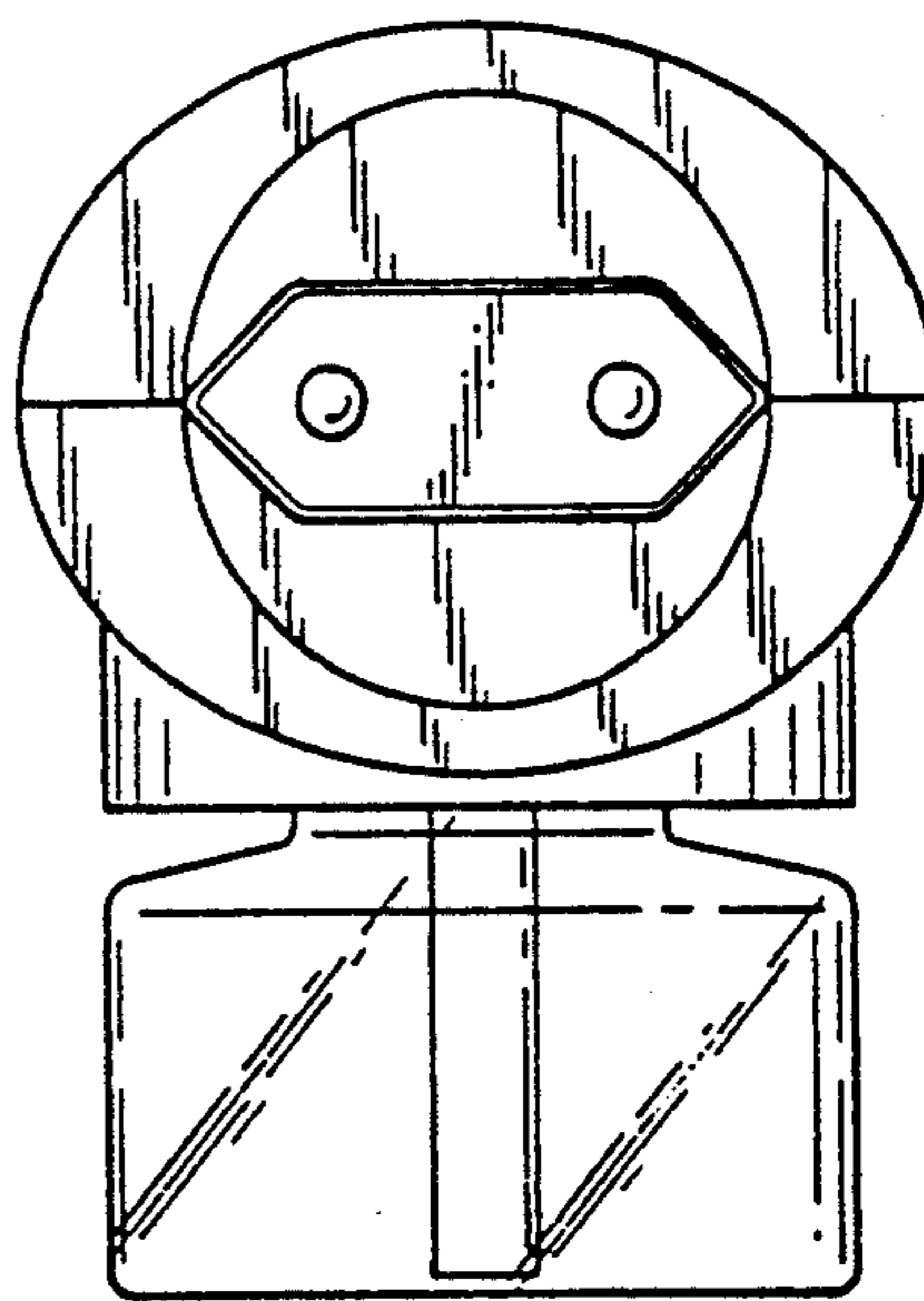


FIG. 8

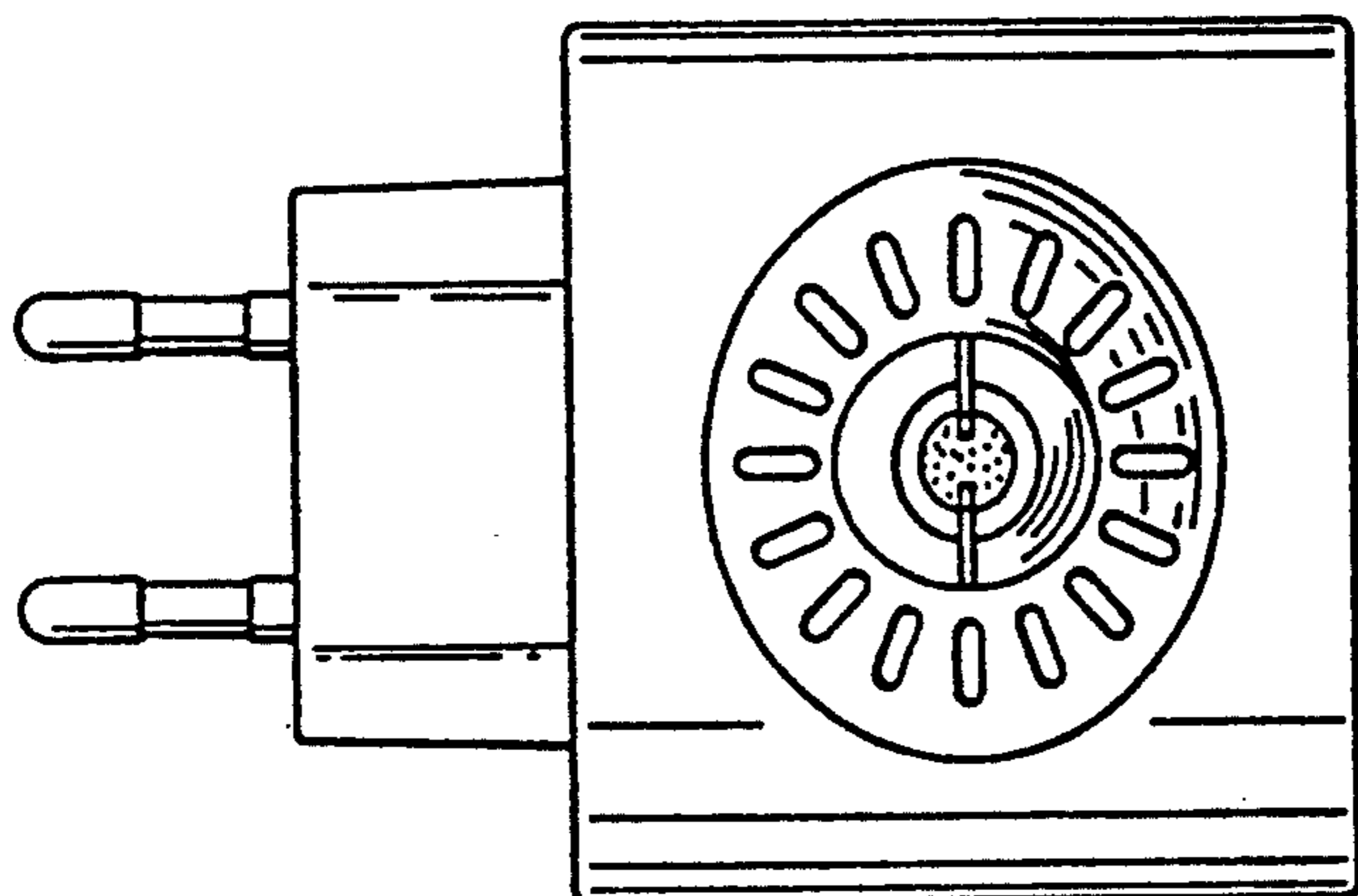


FIG. 9

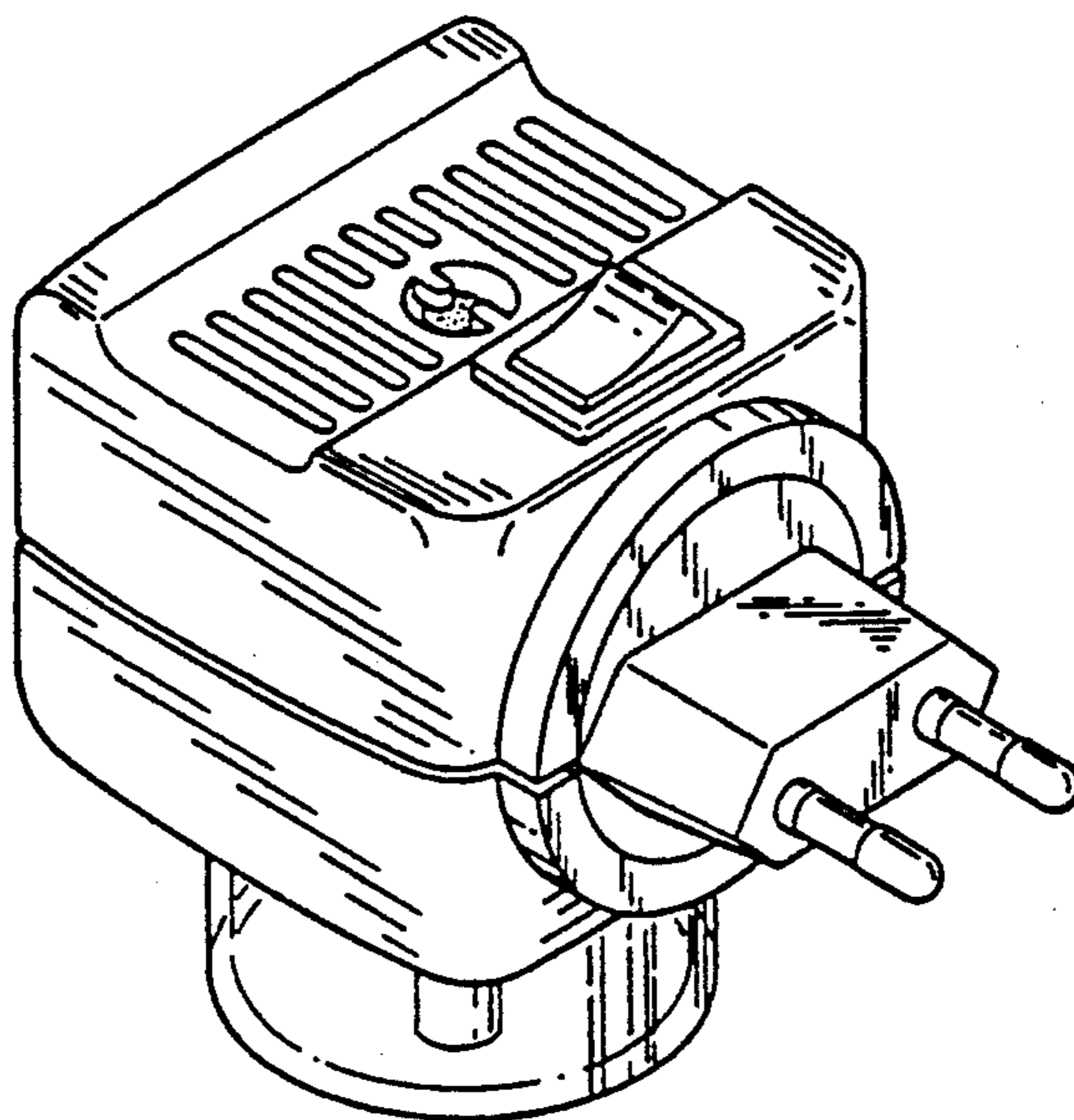


FIG. 10

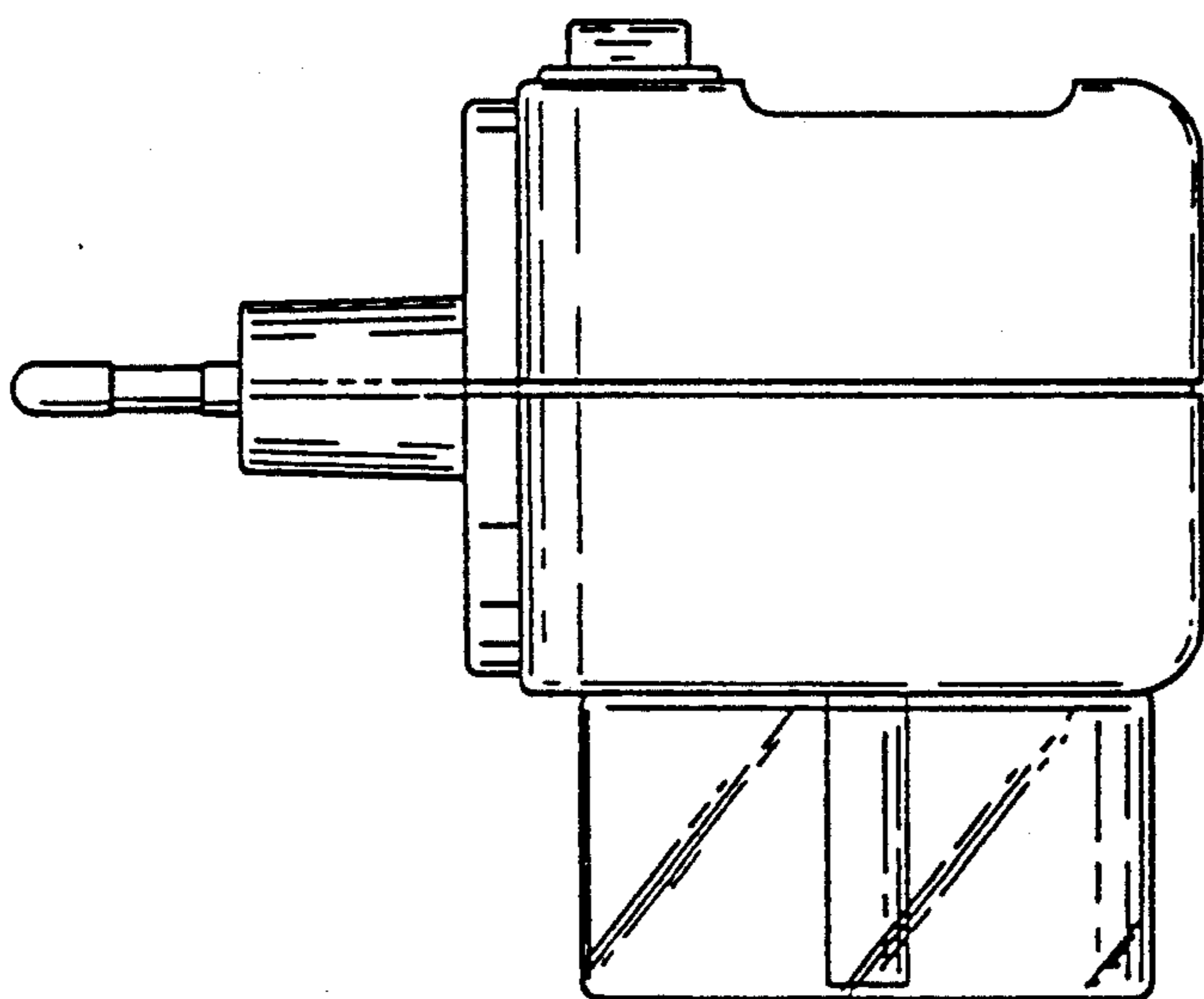


FIG. 11

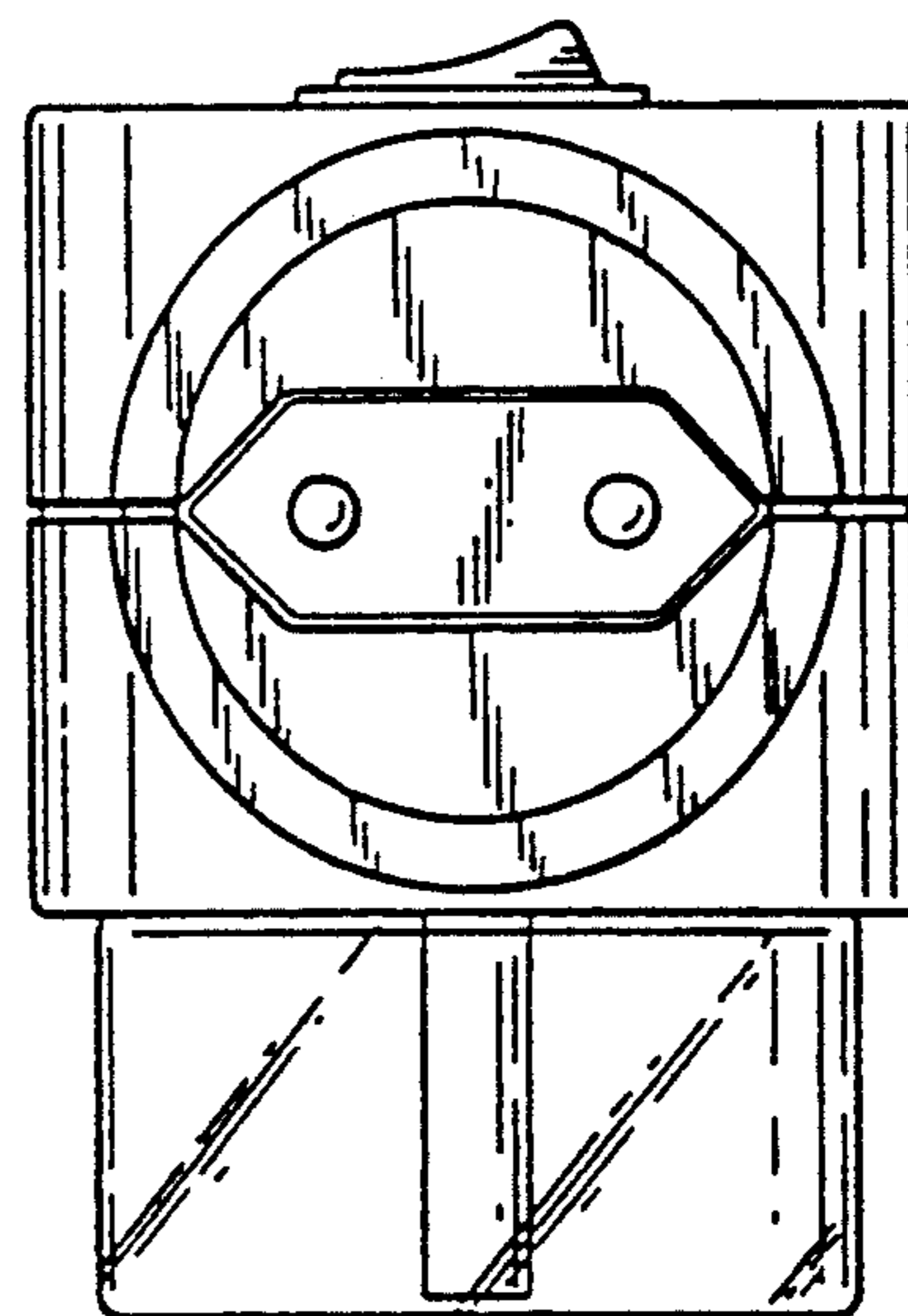


FIG. 12

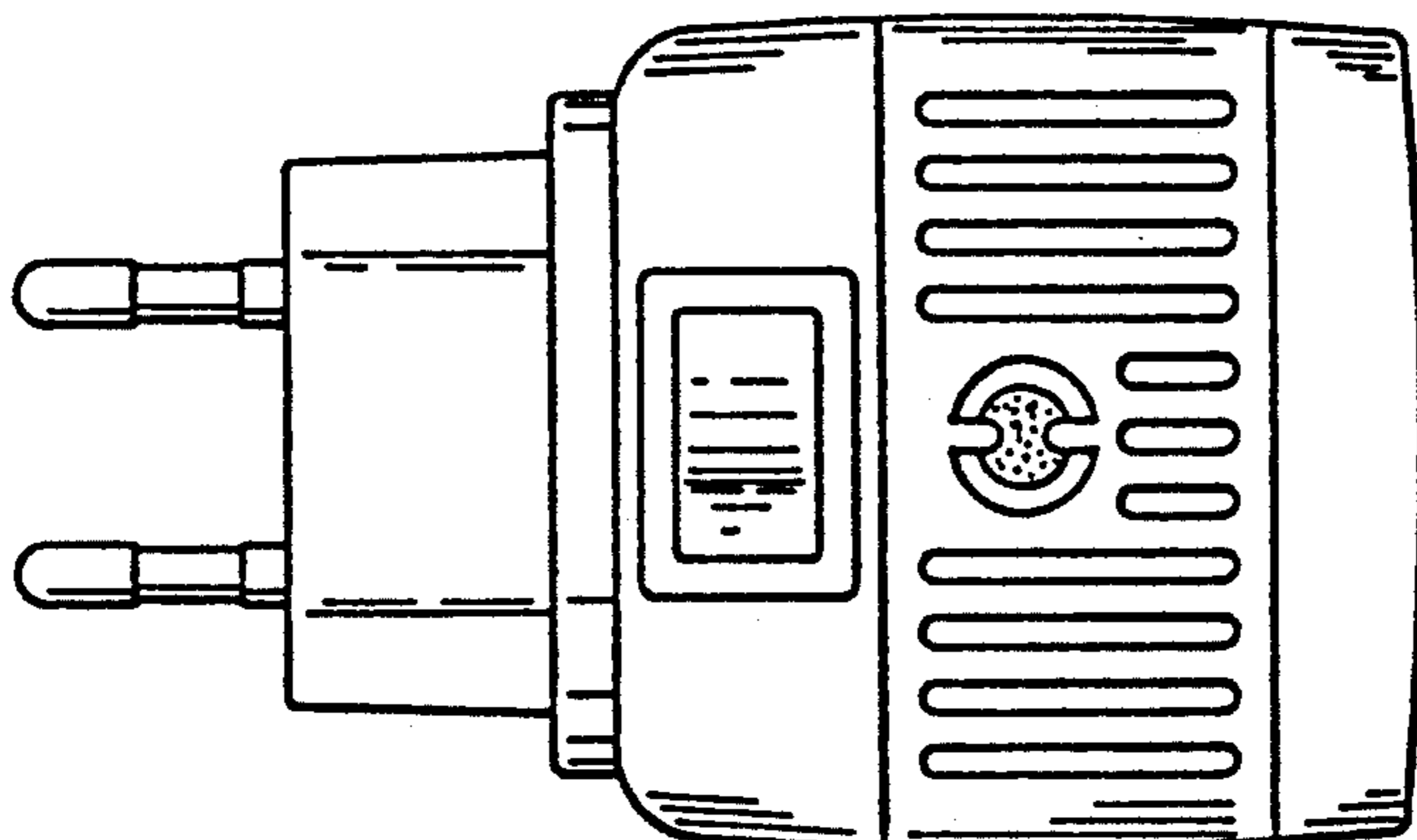


FIG. 13

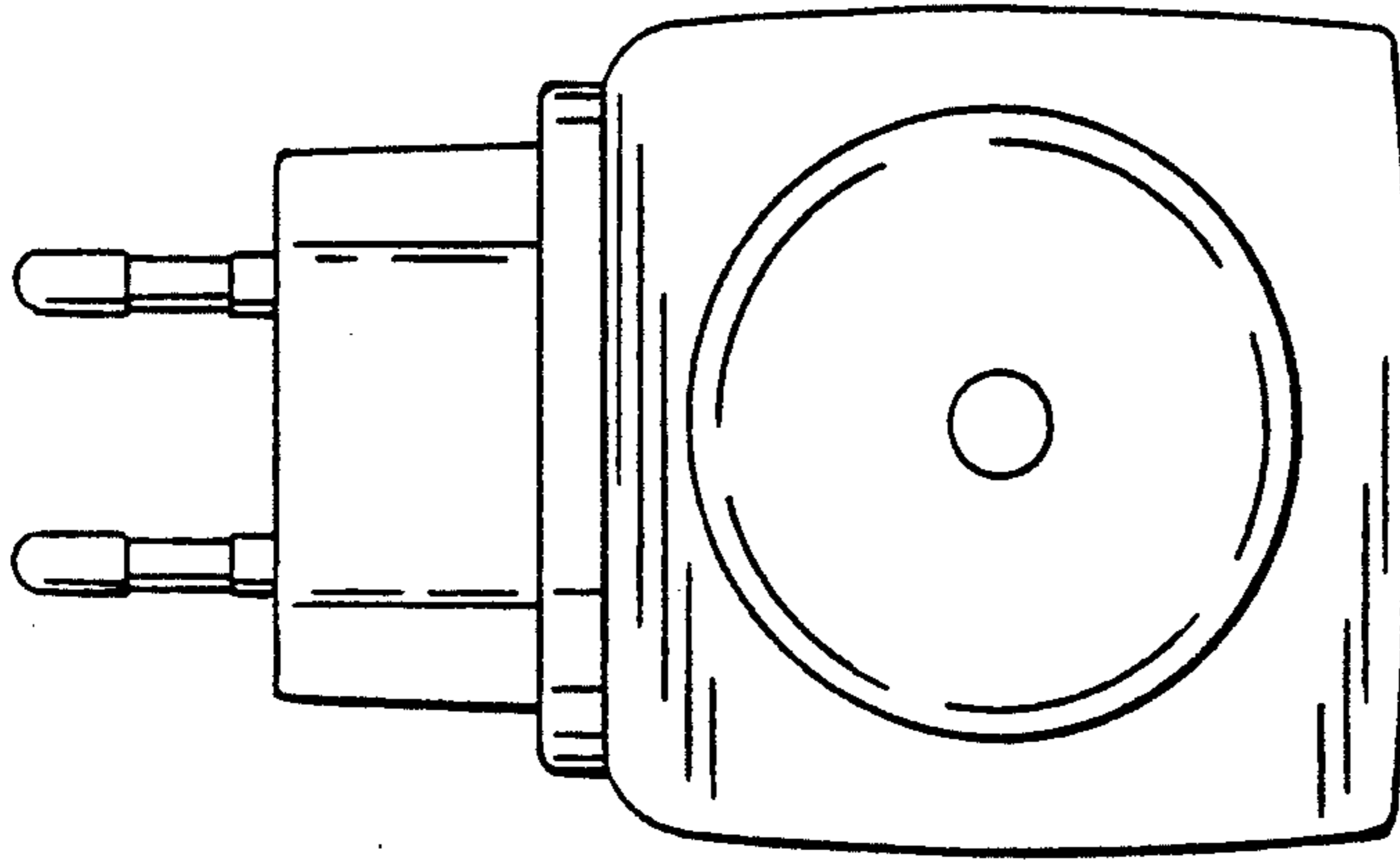


FIG. 14

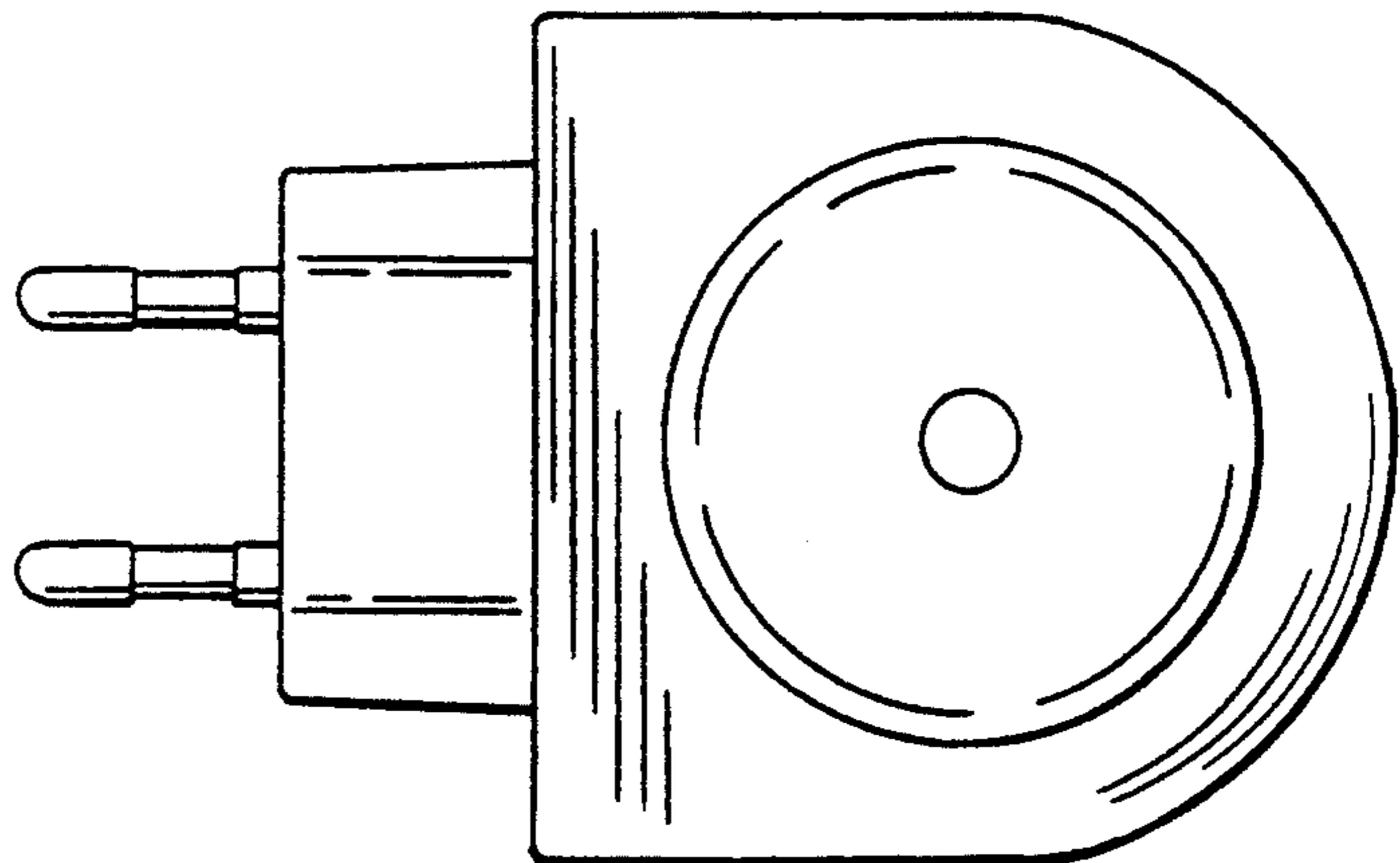


FIG. 15

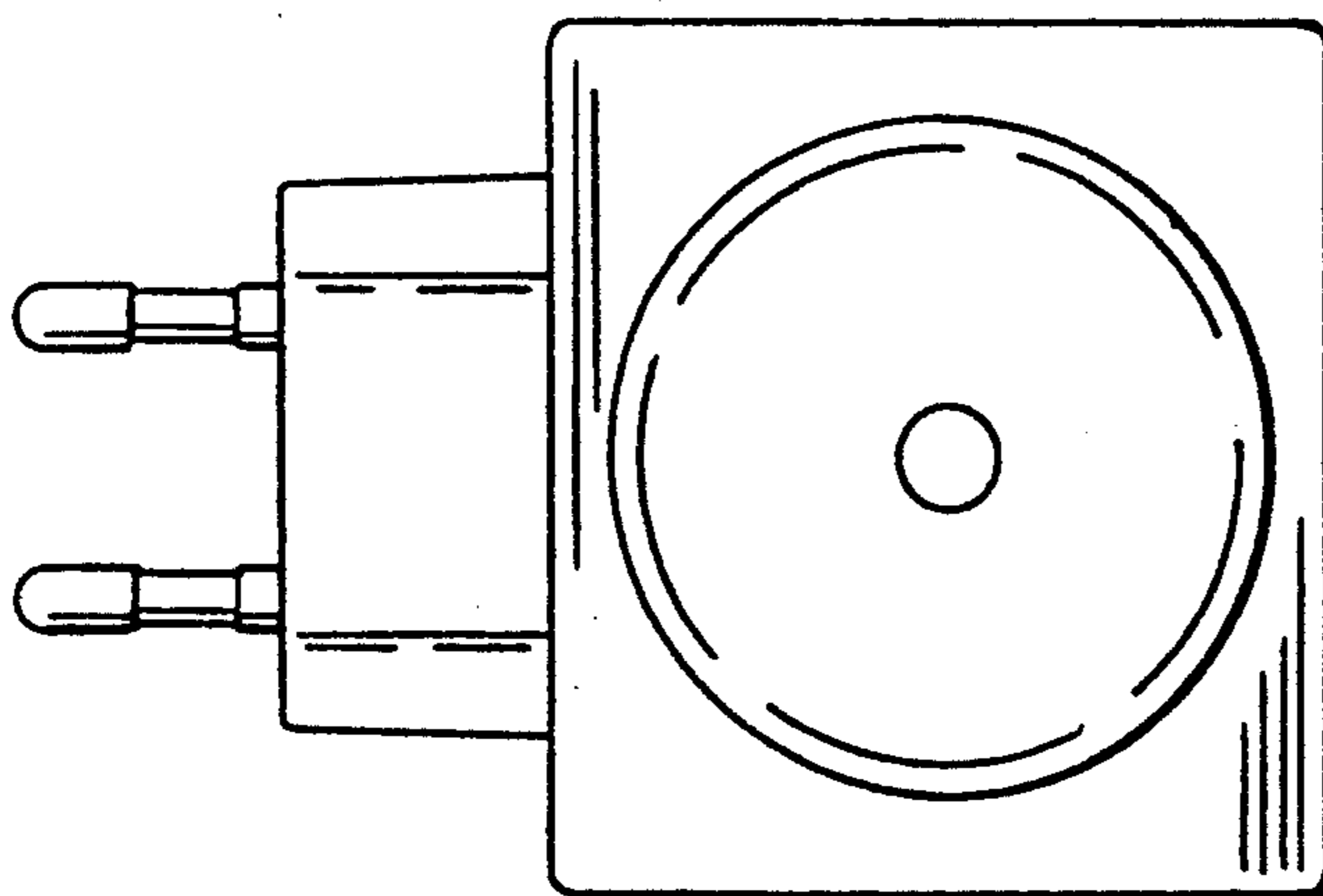


FIG. 16