



US00D335529S

# United States Patent [19]

San-Jou

[11] Patent Number: **Des. 335,529**

[45] Date of Patent: **\*\* May 11, 1993**

[54] **FAN FOR USE IN AN AUTOMOBILE**

[76] Inventor: **Wen San-Jou**, P.O. Box 82-144,  
Taipei, Taiwan

[\*\*] Term: **14 Years**

[21] Appl. No.: **867,401**

[22] Filed: **Apr. 13, 1992**

[52] U.S. Cl. .... **D23/324**

[58] Field of Search ..... **D23/324, 370, 377, 382;**  
**392/384, 383; D28/13; 416/146 R**

[56] **References Cited**

**U.S. PATENT DOCUMENTS**

D. 265,002	6/1982	Hubner	.....	D28/13
D. 311,783	10/1990	Howard	.....	D28/13
D. 327,945	7/1992	Chiang	.....	D23/324
3,304,625	2/1967	Gesmar et al.	.....	392/383

**OTHER PUBLICATIONS**

Hong Kong Enterprise Oct. 1990, p. 305, Hair Drier #PT-22, left middle side of page.

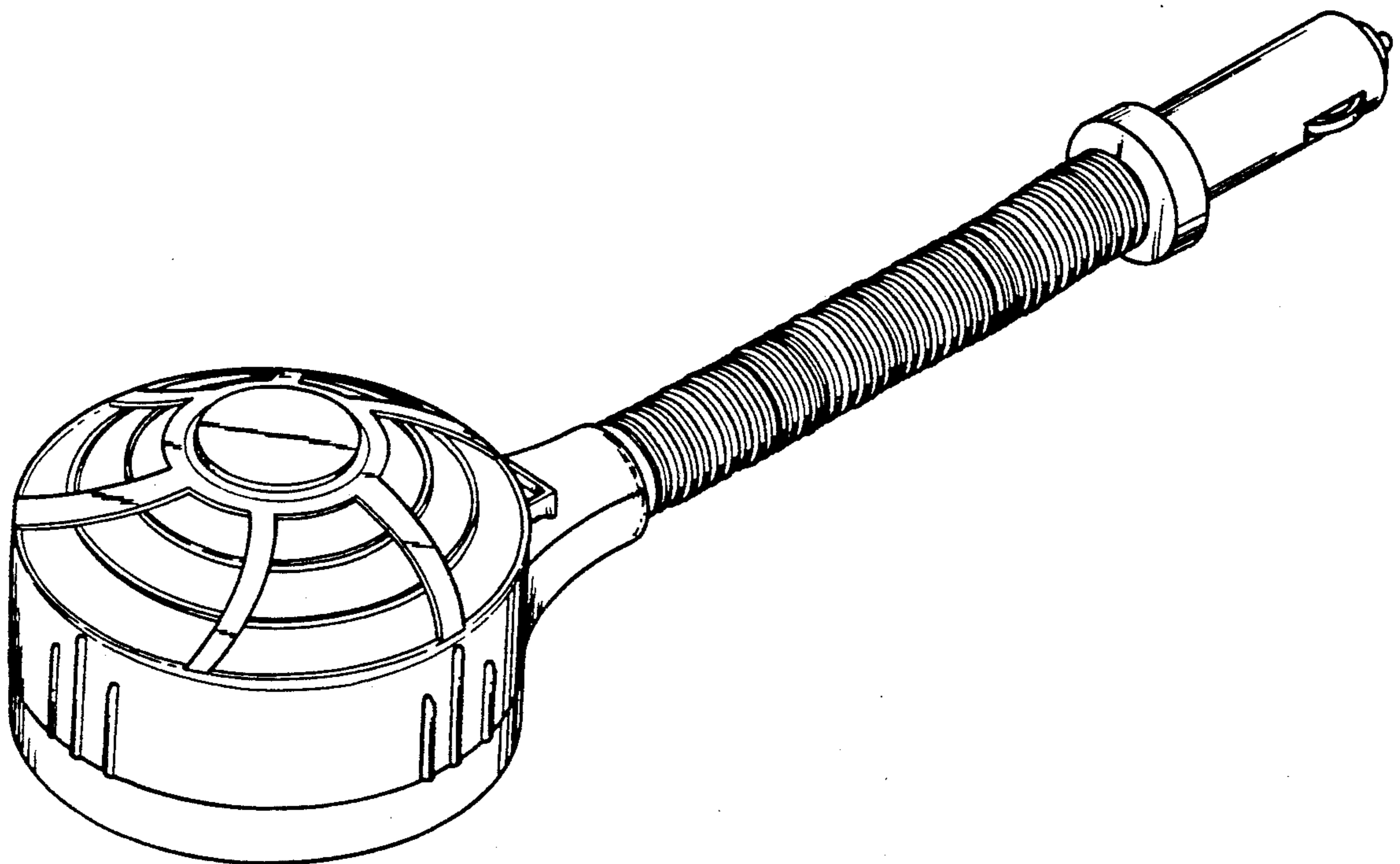
*Primary Examiner*—Wallace R. Burke  
*Assistant Examiner*—Lisa Lichtenstein  
*Attorney, Agent, or Firm*—Alfred Lei

[57] **CLAIM**

The ornamental design for a fan for use in an automobile, as shown.

**DESCRIPTION**

FIG. 1 is a perspective view of a fan for use in an automobile showing my new design;  
FIG. 2 is a front view thereof;  
FIG. 3 is a rear view thereof;  
FIG. 4 is a right side elevational view thereof;  
FIG. 5 is a left side elevational view thereof;  
FIG. 6 is a top plan view thereof; and,  
FIG. 7 is a bottom plan view thereof.



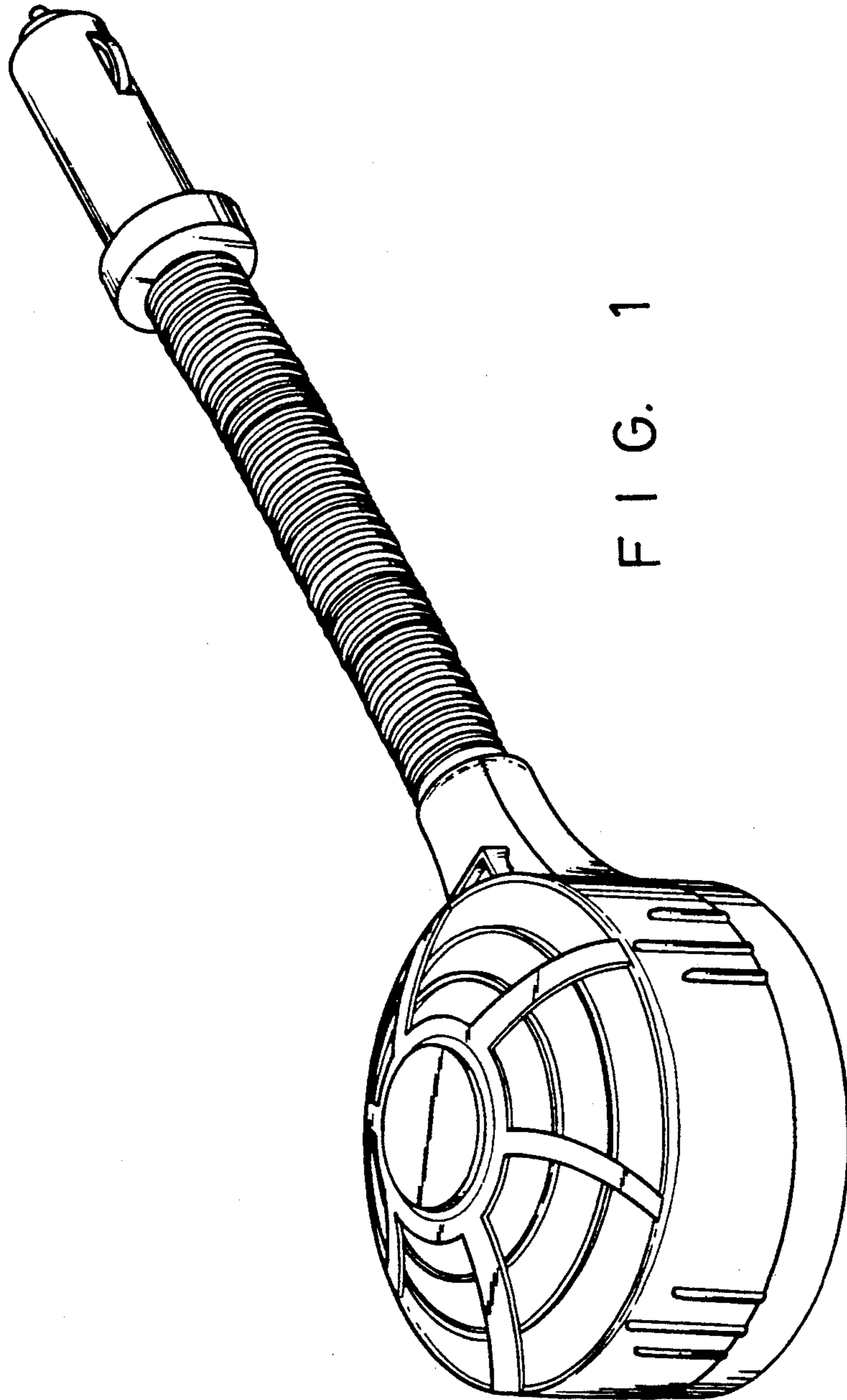


FIG. 1

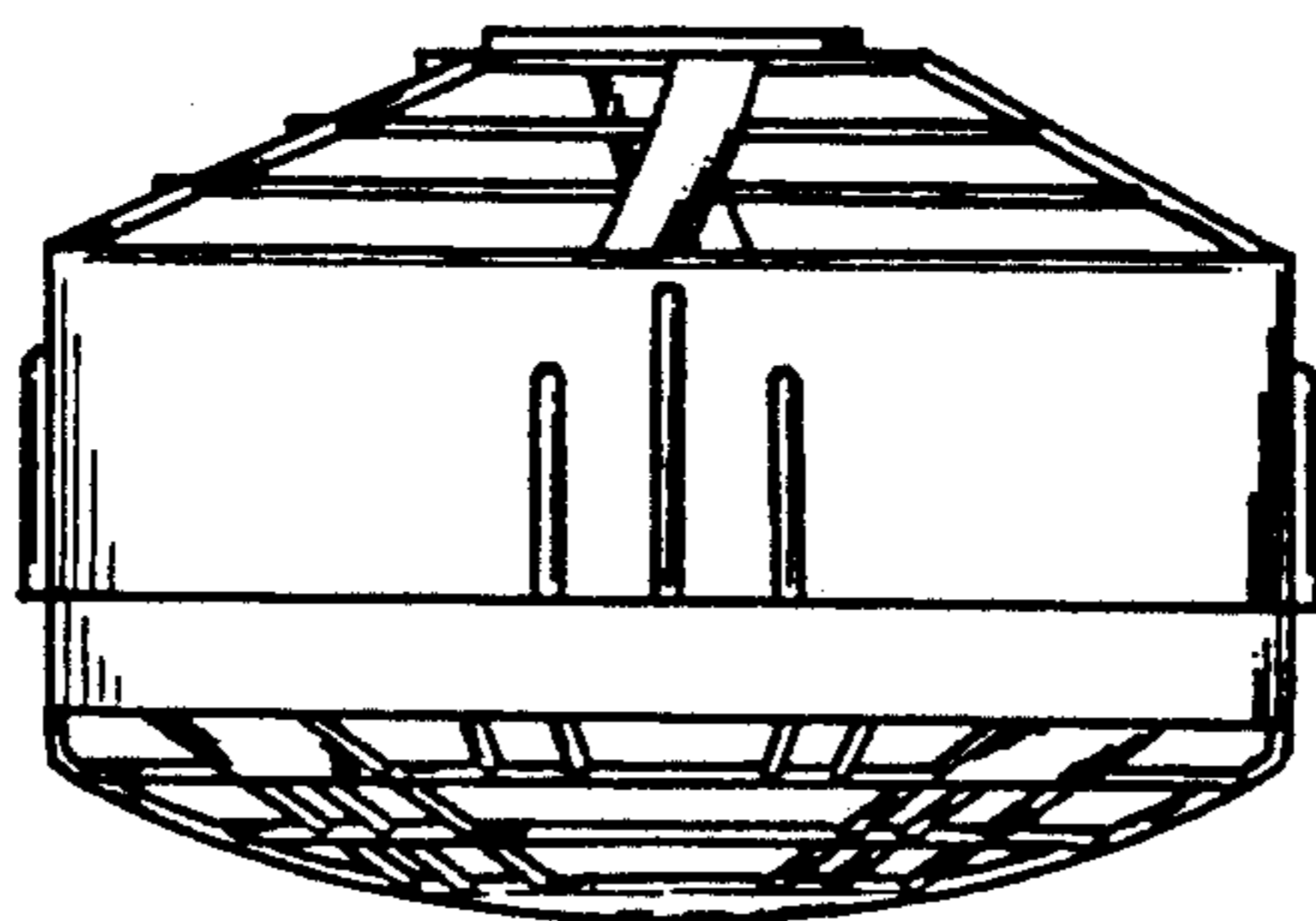


FIG. 2

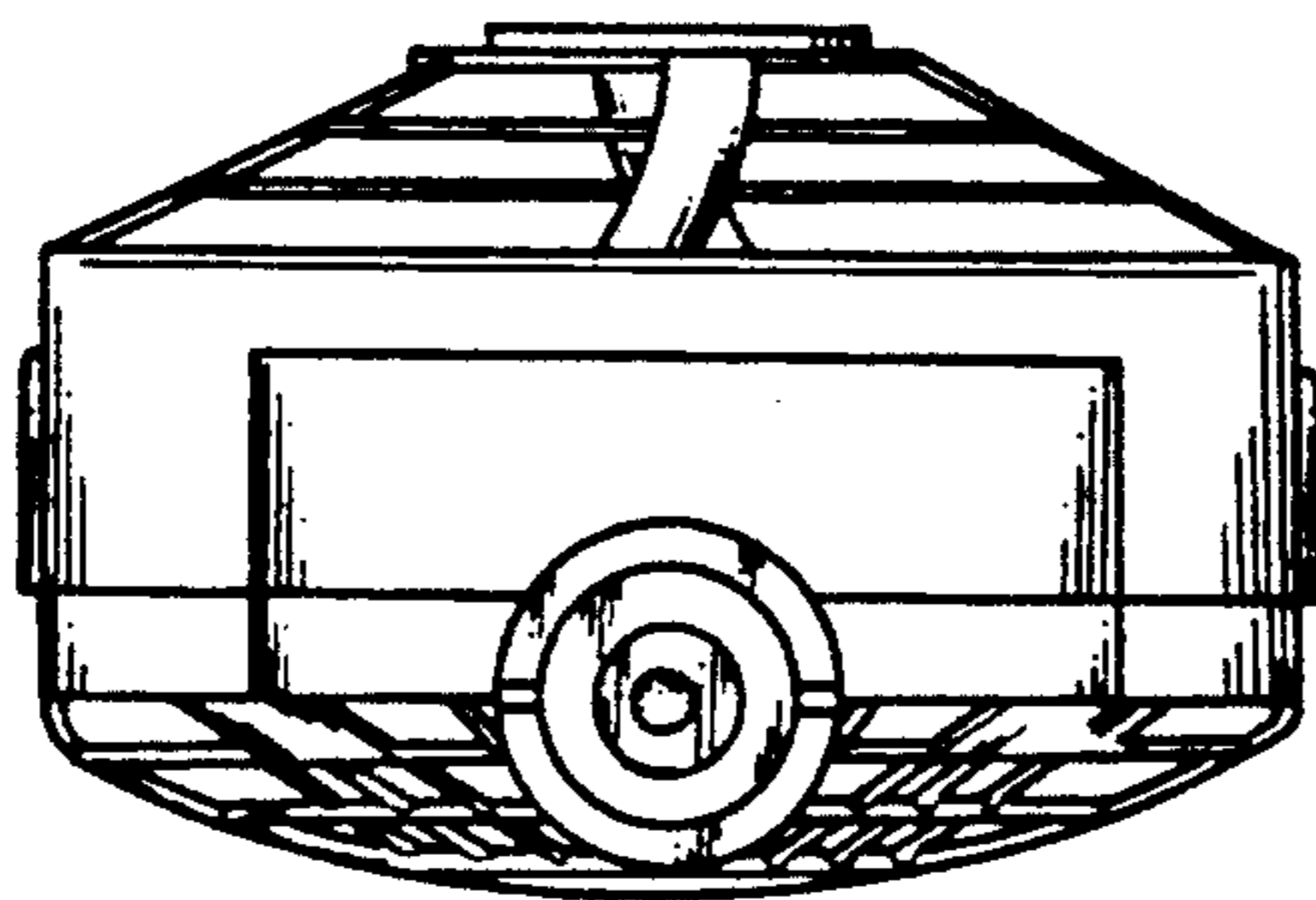
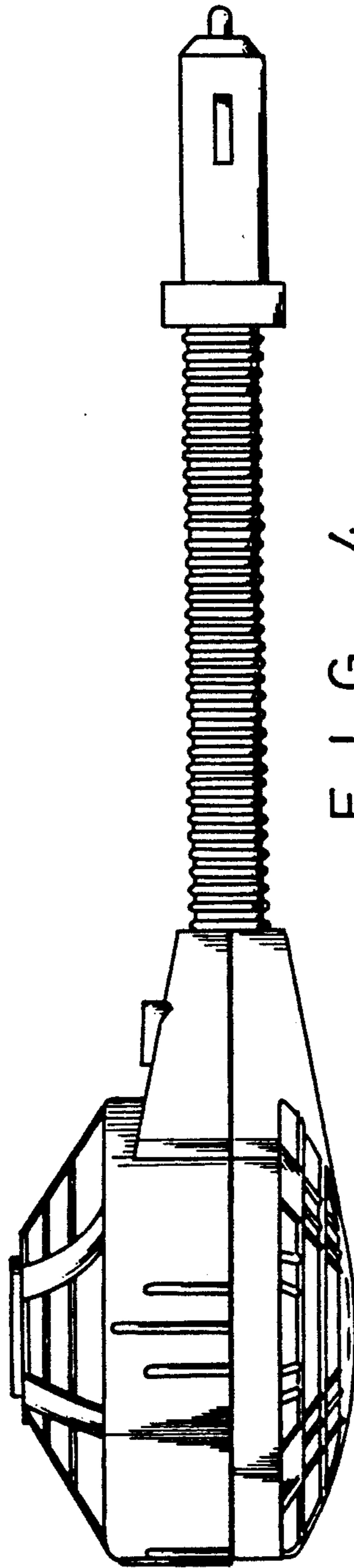
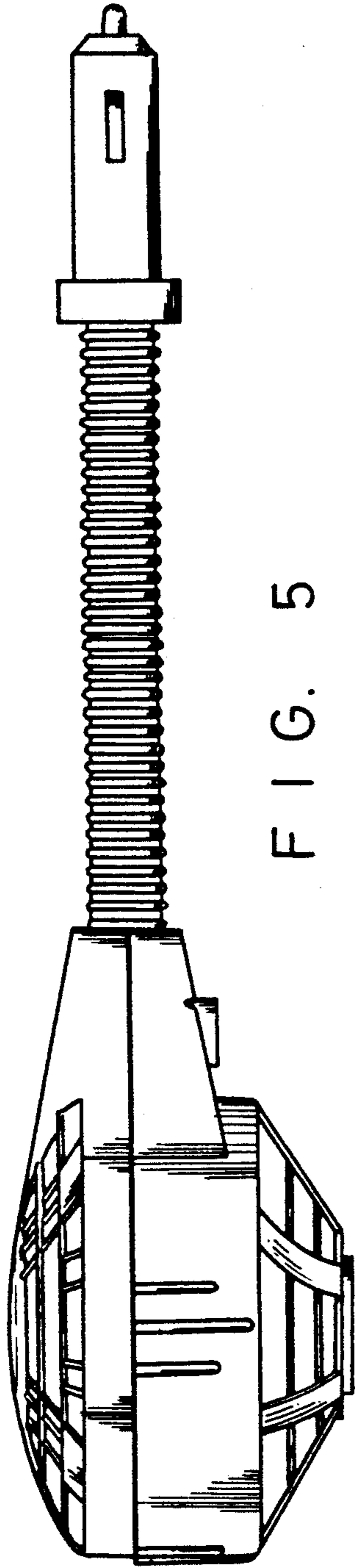


FIG. 3



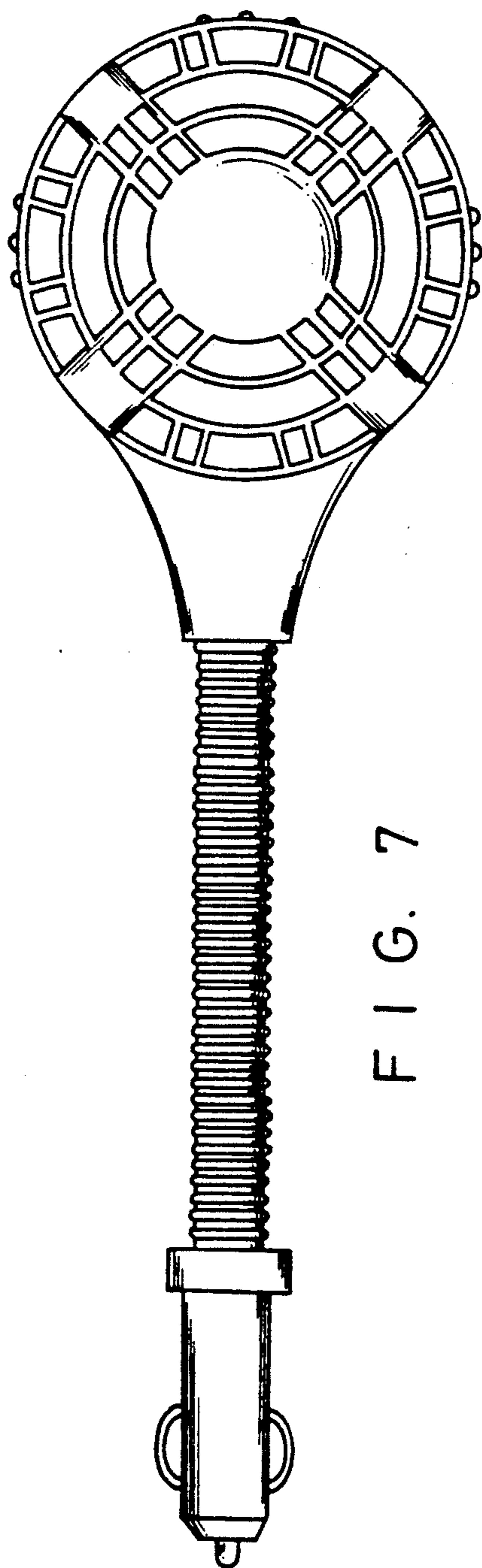


FIG. 7

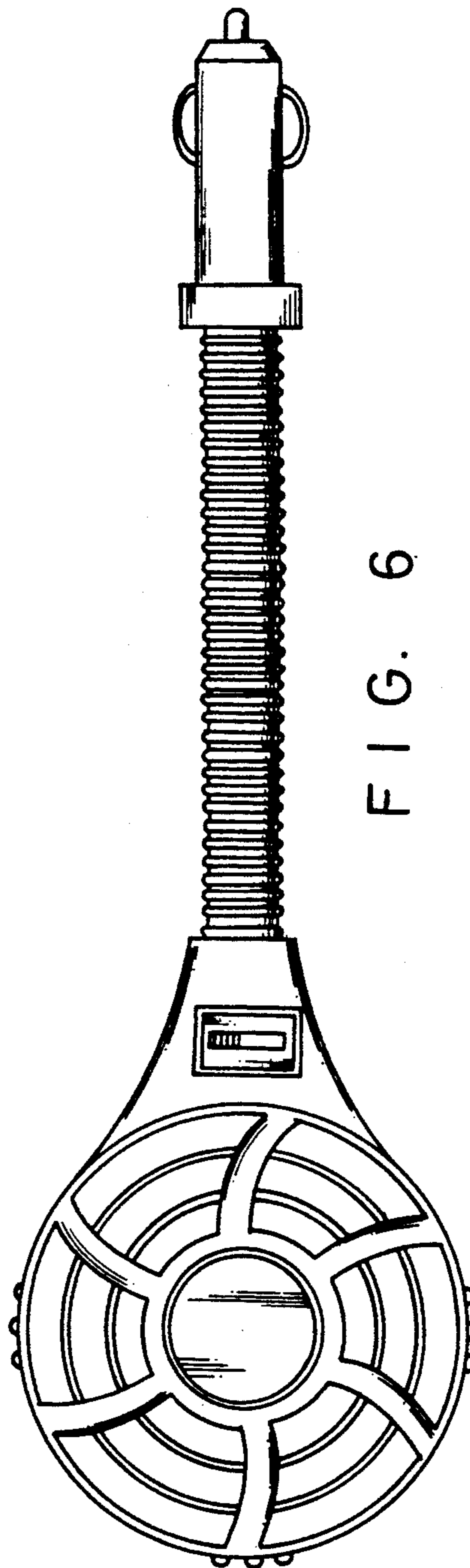


FIG. 6