



US00D335528S

**United States Patent** [19]  
**Kohler, Jr.**

[11] **Patent Number: Des. 335,528**  
[45] **Date of Patent: \*\* May 11, 1993**

[54] **BATHTUB**

[75] **Inventor: Herbert V. Kohler, Jr., Kohler, Wis.**

[73] **Assignee: Kohler Co., Kohler, Wis.**

[\*\*] **Term: 14 Years**

[21] **Appl. No.: 641,014**

[22] **Filed: Jan. 11, 1991**

[52] **U.S. Cl. .... D23/280**

[58] **Field of Search ..... D23/270, 271, 273, 275,  
D23/277-283, 303-307; D24/201-205; 4/538,  
541.1-541.6, 557, 559, 560.1-566.1,  
571.1-578.1, 584, 589, 590, 596, 610, 611, 612,  
614, 621, 622, 675**

[56] **References Cited**

**U.S. PATENT DOCUMENTS**

|            |         |                         |           |
|------------|---------|-------------------------|-----------|
| D. 211,789 | 7/1968  | Bonsack .....           | D23/280   |
| D. 226,607 | 4/1973  | Lawrence .....          | D23/281   |
| D. 241,643 | 9/1976  | Bonsack .....           | D23/281   |
| D. 274,454 | 6/1984  | Robinson .....          | D23/281   |
| D. 279,702 | 7/1985  | Harrison .....          | D23/280   |
| D. 286,679 | 11/1986 | D'Innocente et al. .... | D23/281 X |
| D. 311,710 | 10/1990 | Sauter et al. ....      | D23/277   |
| D. 313,838 | 1/1991  | Lenahan .....           | D23/277   |

**OTHER PUBLICATIONS**

Pp. 6-5, 1989 Kohler Co. K-900 Catalog showing "Pillow Talk" tub.

Undated Jacuzzi ad, Admitted Prior Art.

*Primary Examiner*—James R. Largent

*Attorney, Agent, or Firm*—Quarles & Brady

[57] **CLAIM**

The ornamental design for a bathtub, as shown and described.

**DESCRIPTION**

FIG. 1 is a perspective view taken from the top, front and left side of a bathtub showing my new design;

FIG. 2 is a top plan view thereof;

FIG. 3 is a cross-sectional view taken on line 3—3 of FIG. 2;

FIG. 4 is a cross-sectional view taken on line 4—4 of FIG. 2; and,

FIG. 5 is a cross-sectional view taken on line 5—5 of FIG. 2.

The fragmentary broken line representation of a deck in FIG. 1 is for purposes of illustration only and forms no part of the claimed design.

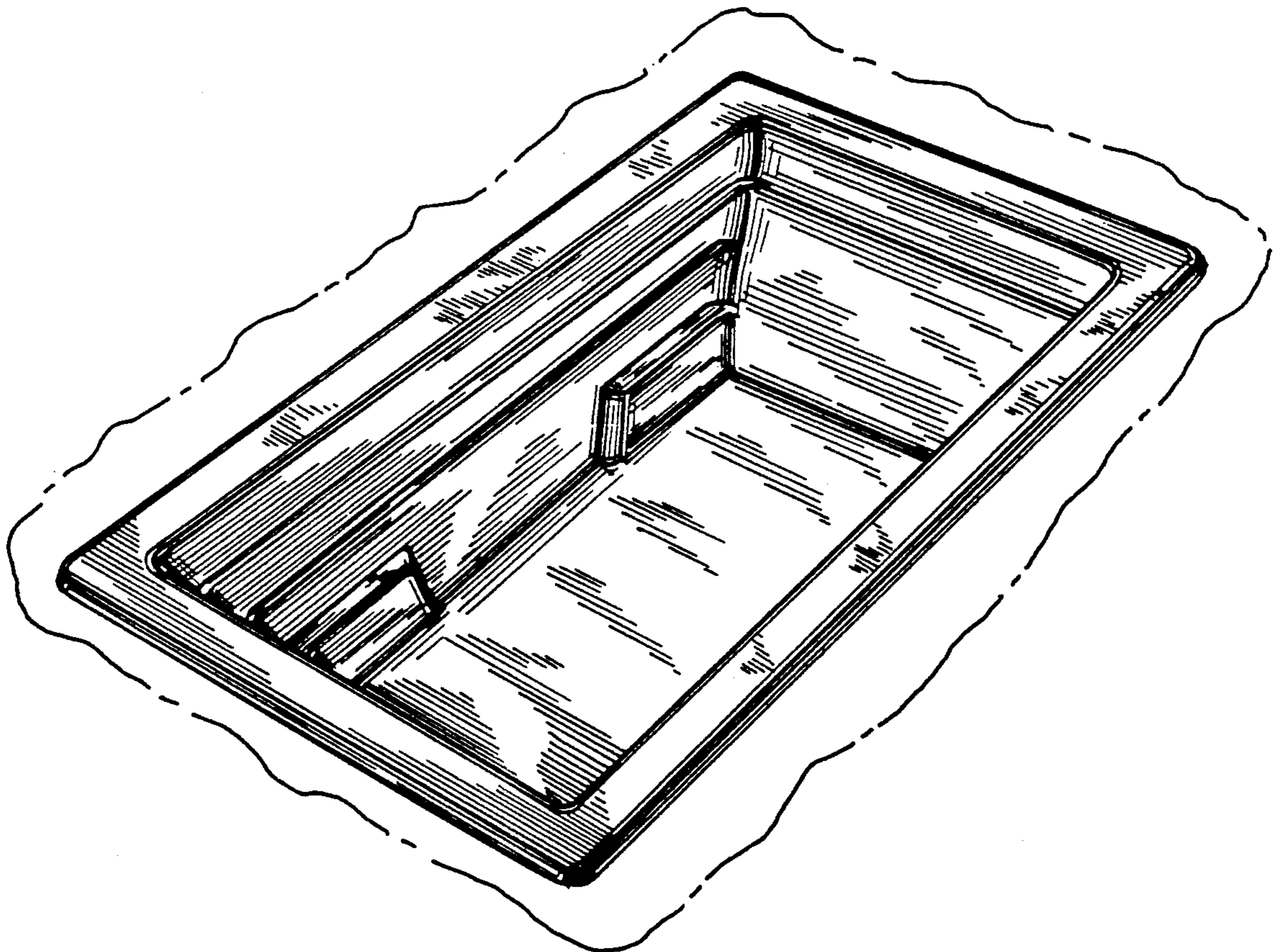


FIG. 1

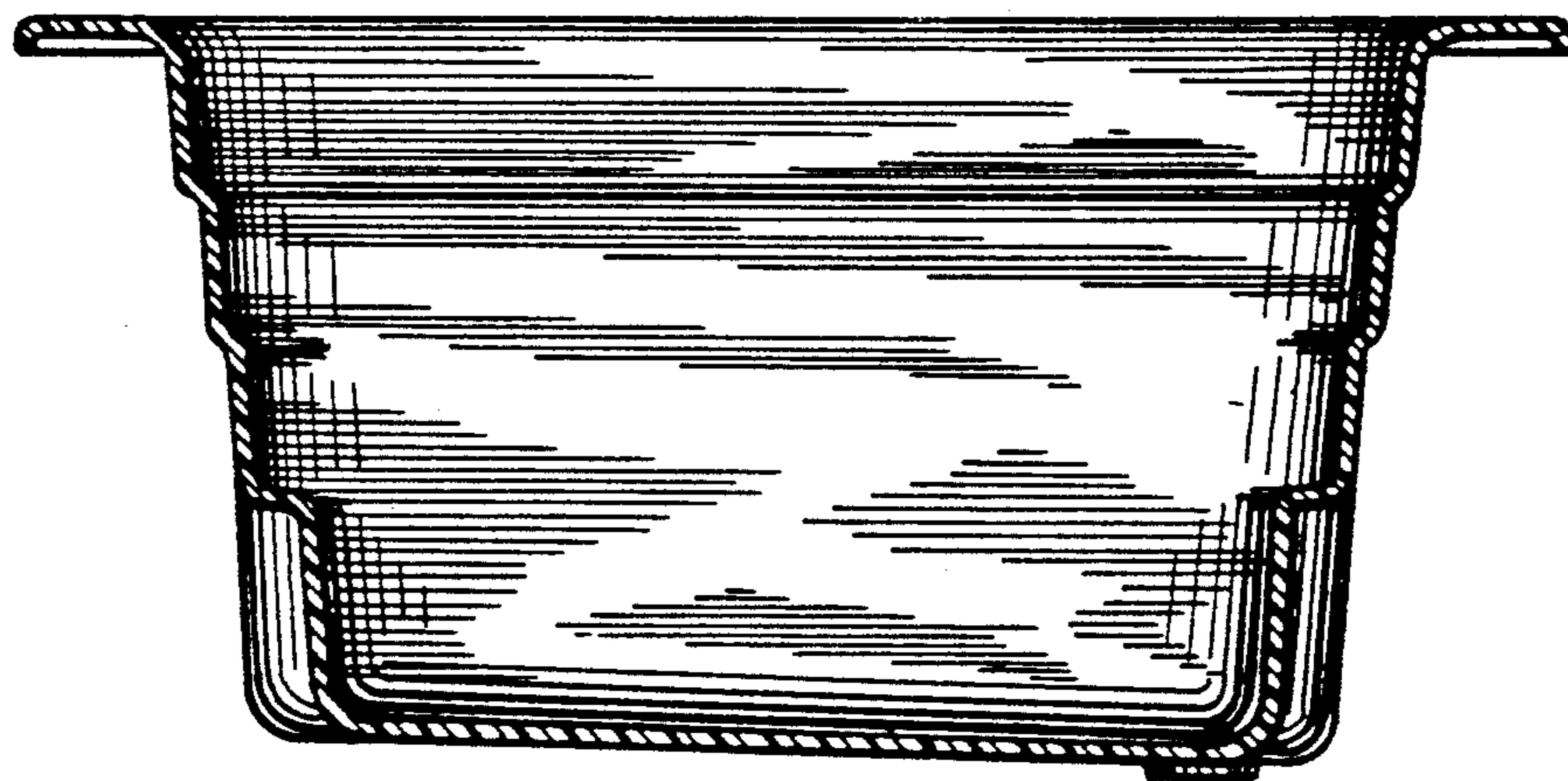
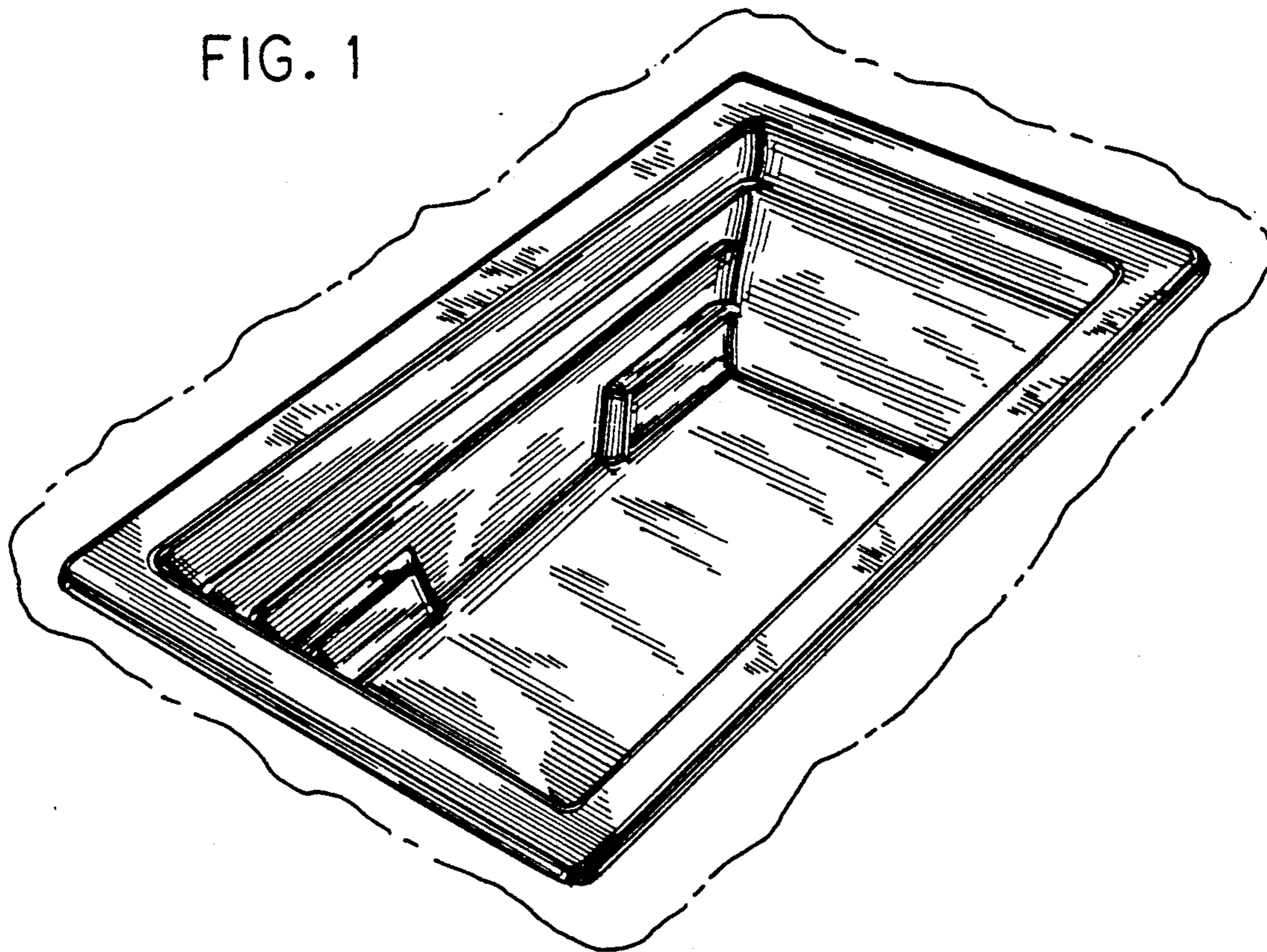


FIG. 5

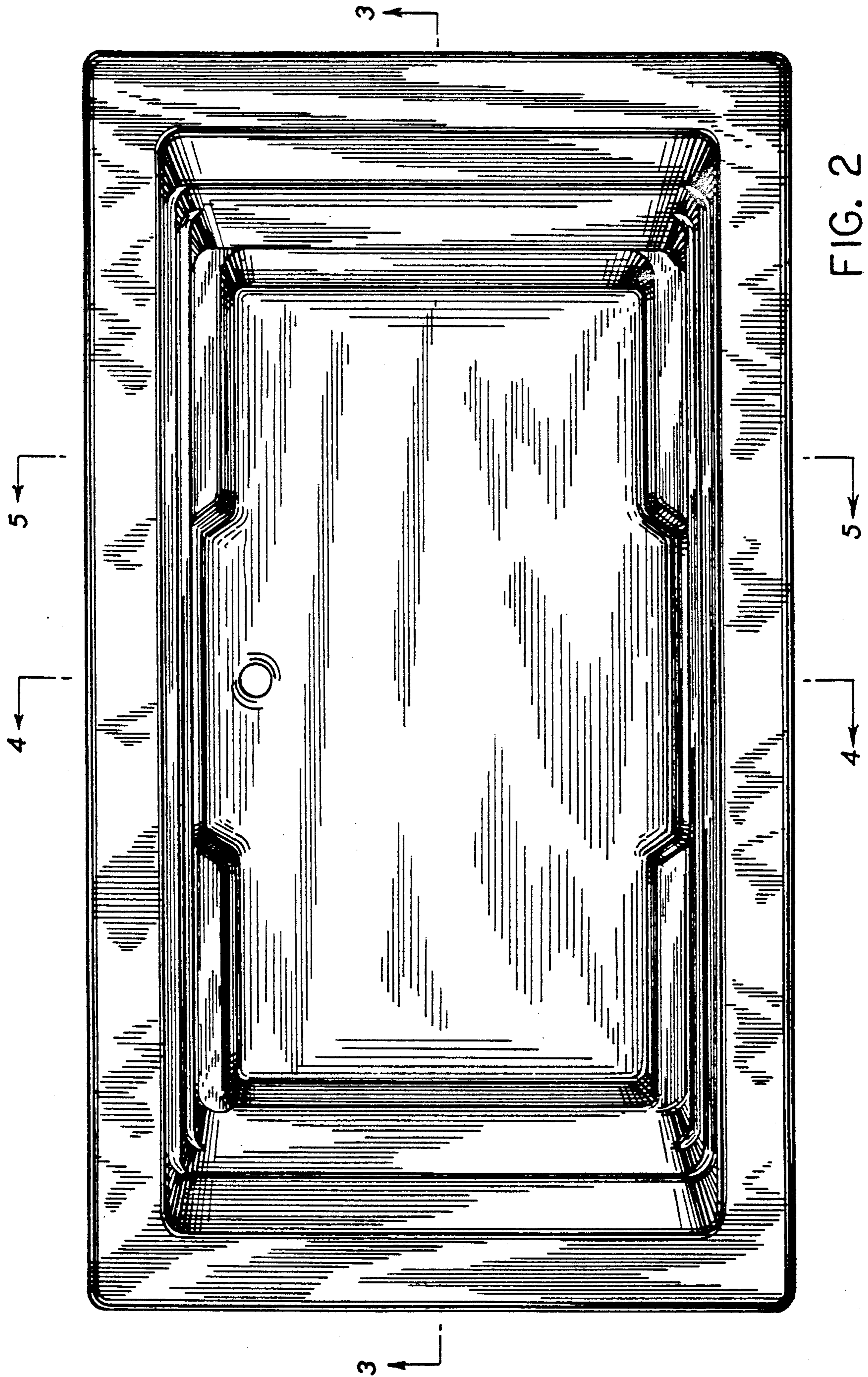


FIG. 2

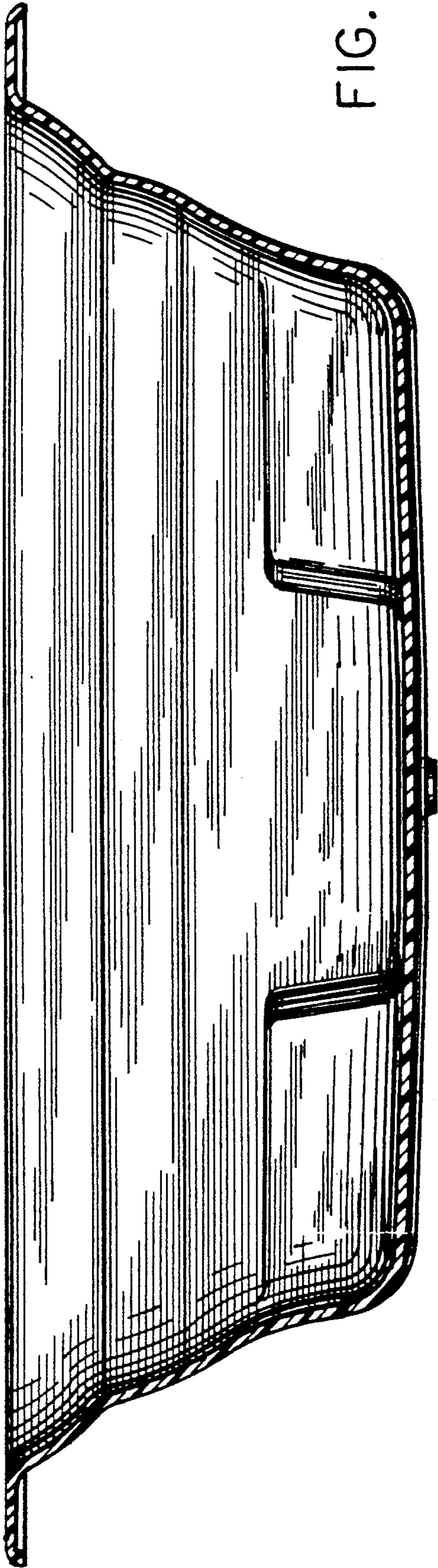


FIG. 3

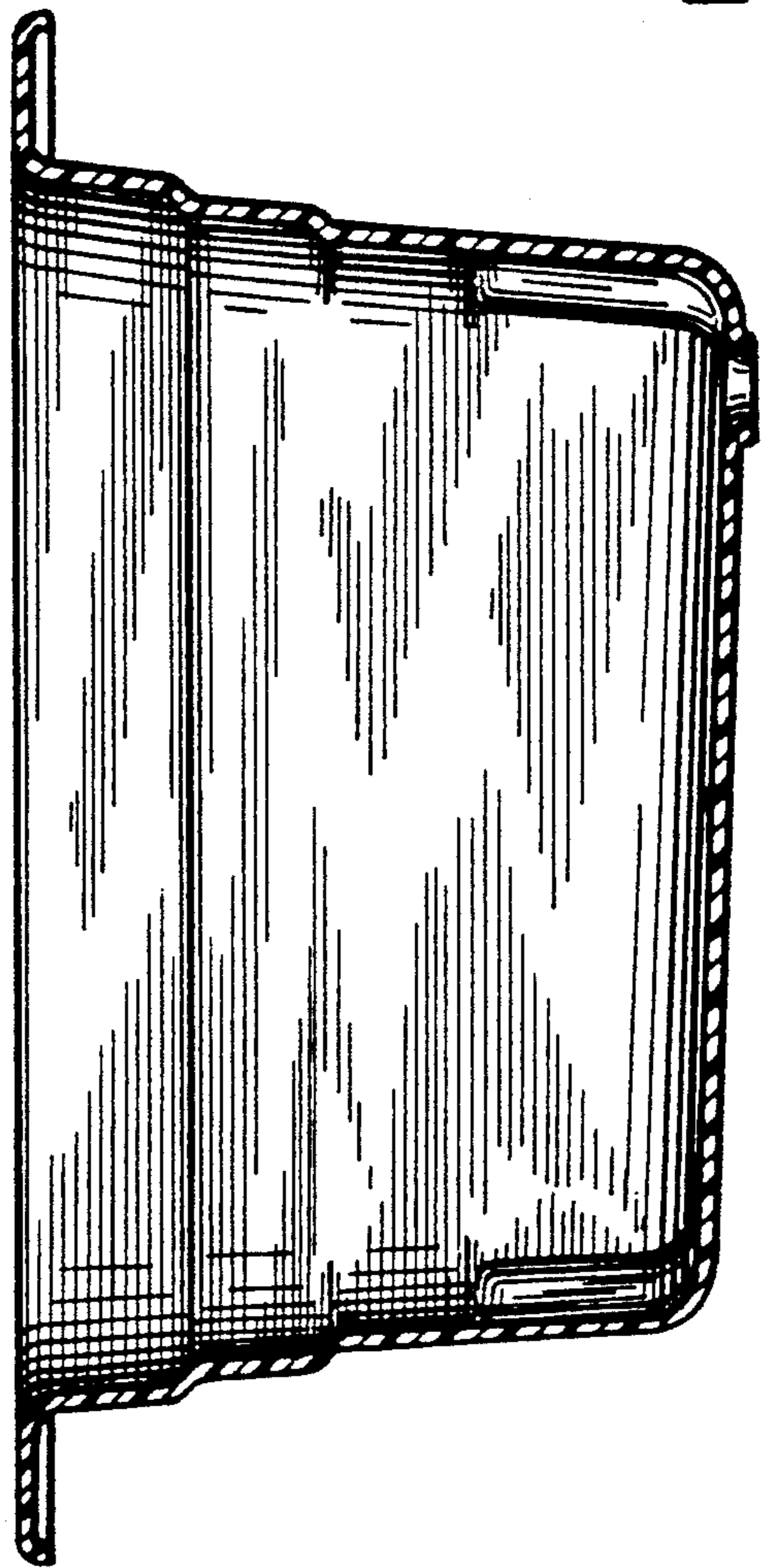


FIG. 4