



US00D335526S

# United States Patent [19]

[11] Patent Number: **Des. 335,526**

Biltoft et al.

[45] Date of Patent: **\*\* May 11, 1993**

[54] **VALVE HOUSING**

[75] Inventors: **Bruce G. Biltoft; Michael R. L. Selbie**, both of New South Wales, Australia

[73] Assignee: **Memtec Limited**, Australia

[\*\*] Term: **14 Years**

[21] Appl. No.: **500,850**

[22] Filed: **Mar. 29, 1990**

[30] **Foreign Application Priority Data**

Sep. 29, 1989 [AU] Australia ..... 3224/89

[52] U.S. Cl. .... **D23/233**

[58] Field of Search ..... **D23/209, 233-237, D23/244-249; 137/269, 270, 271, 887**

[56] **References Cited**

**U.S. PATENT DOCUMENTS**

- D. 198,885 8/1964 Gifford ..... D23/244
- D. 198,886 8/1964 Gifford ..... D23/244
- 3,504,704 4/1970 Beckett et al. .... 137/269 X

- 3,698,432 10/1972 Kutz ..... 137/884
- 3,756,274 9/1973 Wolfgramm ..... 137/271 X
- 3,866,625 2/1975 Kemmer ..... 137/269
- 3,888,518 6/1975 Delessert ..... 137/271 X
- 3,934,605 1/1976 Legris ..... 137/271
- 4,605,201 8/1986 Miyazaki ..... 251/305
- 4,815,496 3/1989 Nishitani et al. .... 137/884

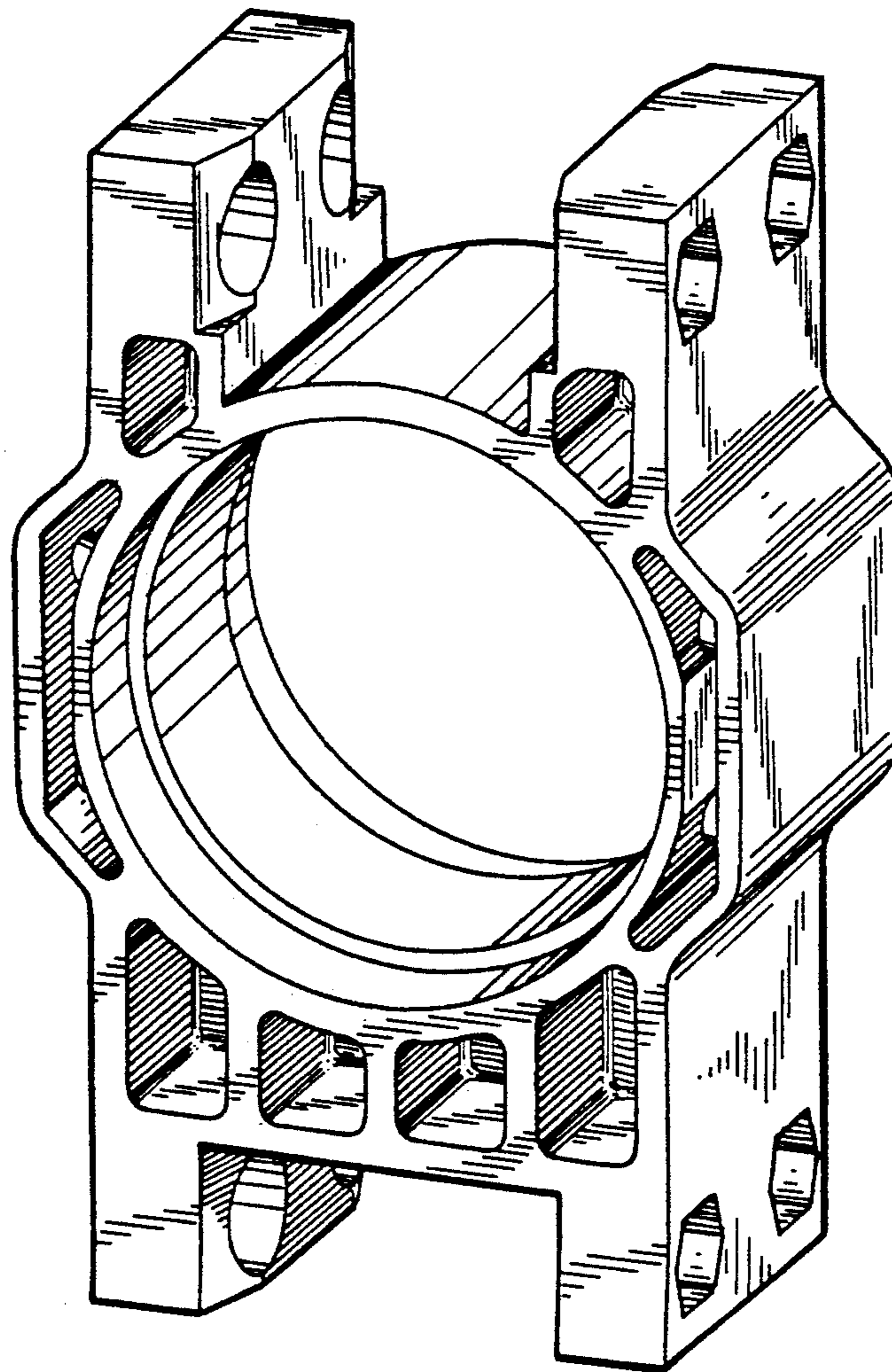
*Primary Examiner*—James R. Largen  
*Attorney, Agent, or Firm*—Waldron & Associates

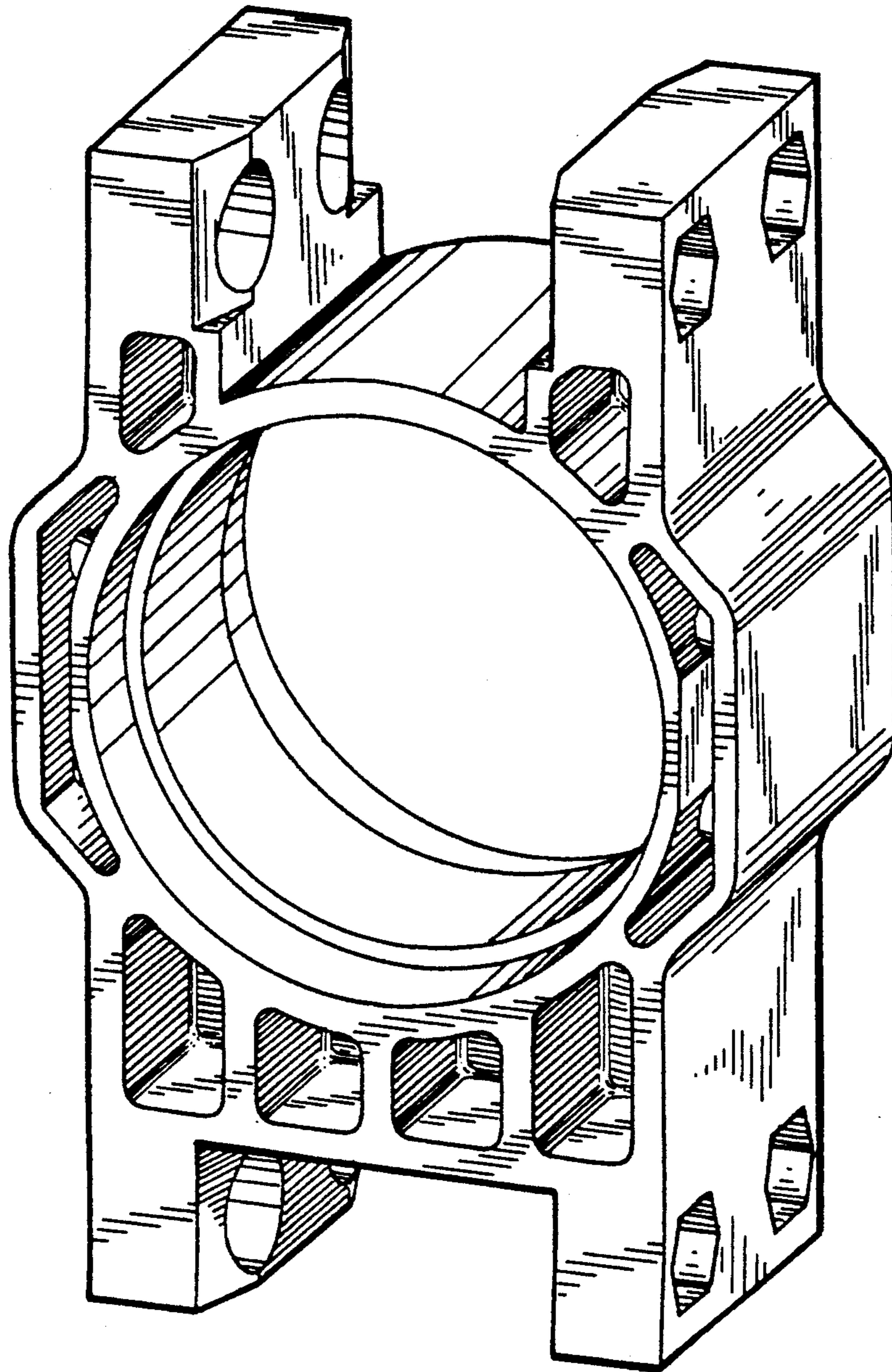
[57] **CLAIM**

The ornamental design for a valve housing, as shown and described.

**DESCRIPTION**

FIG. 1 is a top front perspective view of a valve housing showing our new design;  
 FIG. 2 is a front elevational view thereof, the rear being the same as the front;  
 FIG. 3 is a right side elevational view thereof;  
 FIG. 4 is a left side elevational view thereof;  
 FIG. 5 is a top plan view thereof; and,  
 FIG. 6 is a bottom plan view thereof.





*FIG. 1*

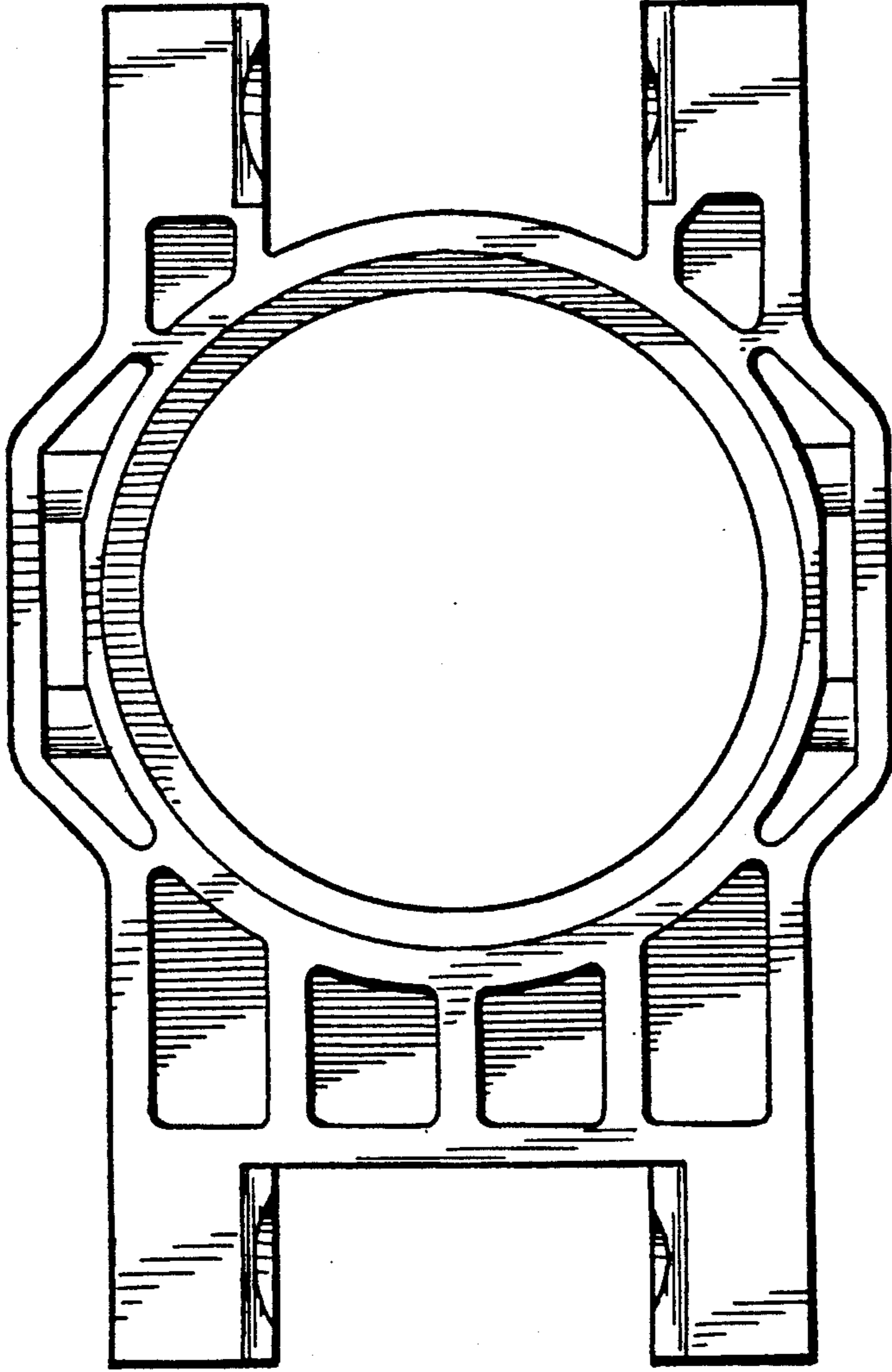


FIG. 2



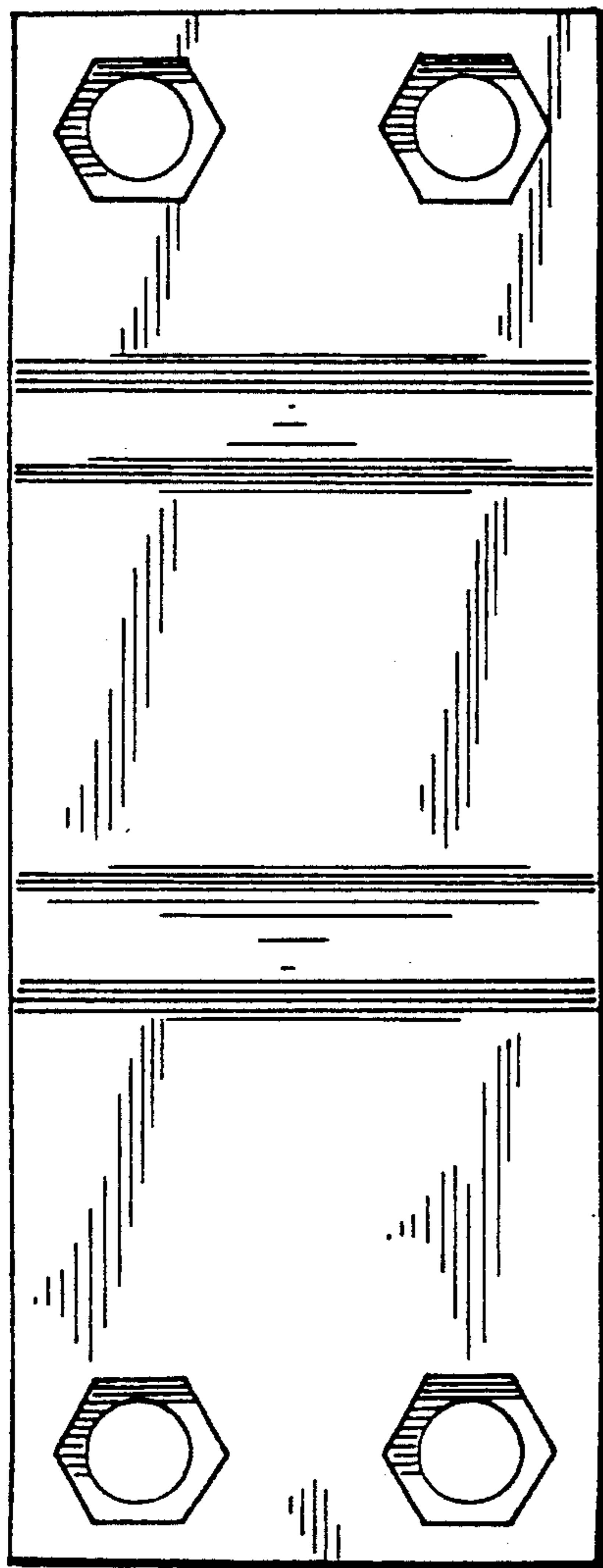


FIG. 3

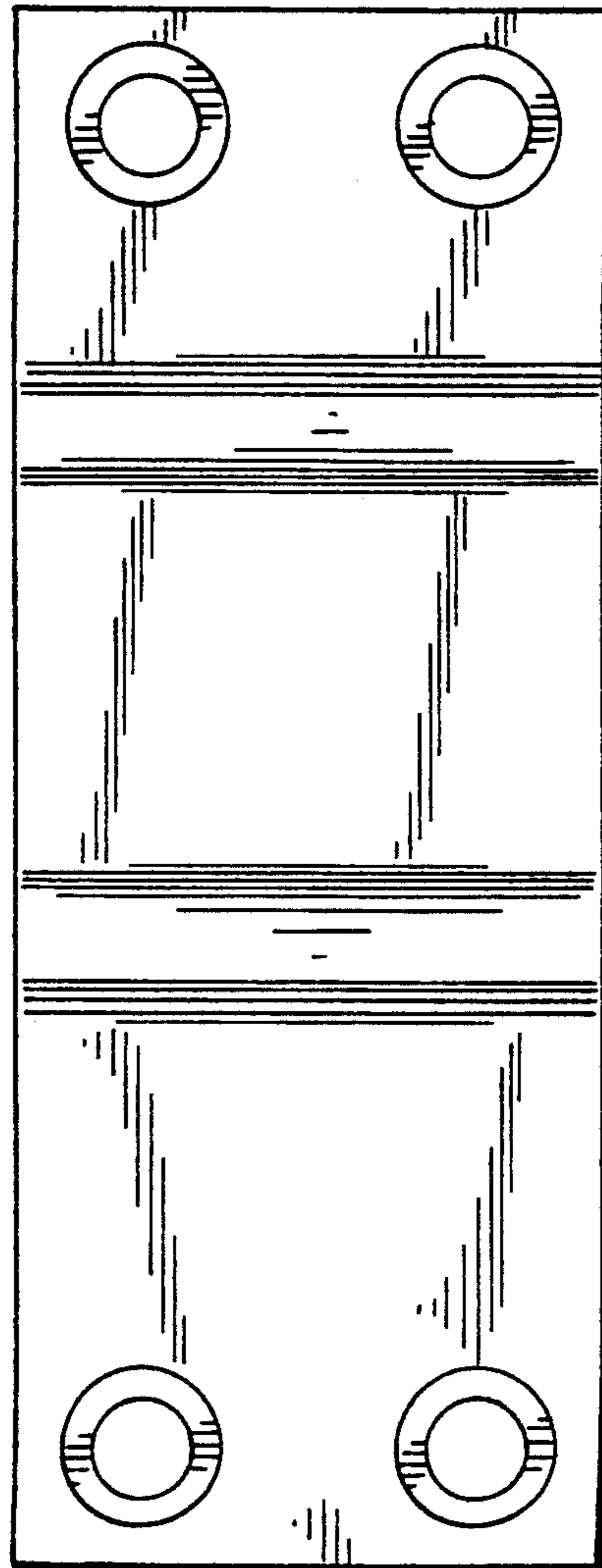


FIG. 4

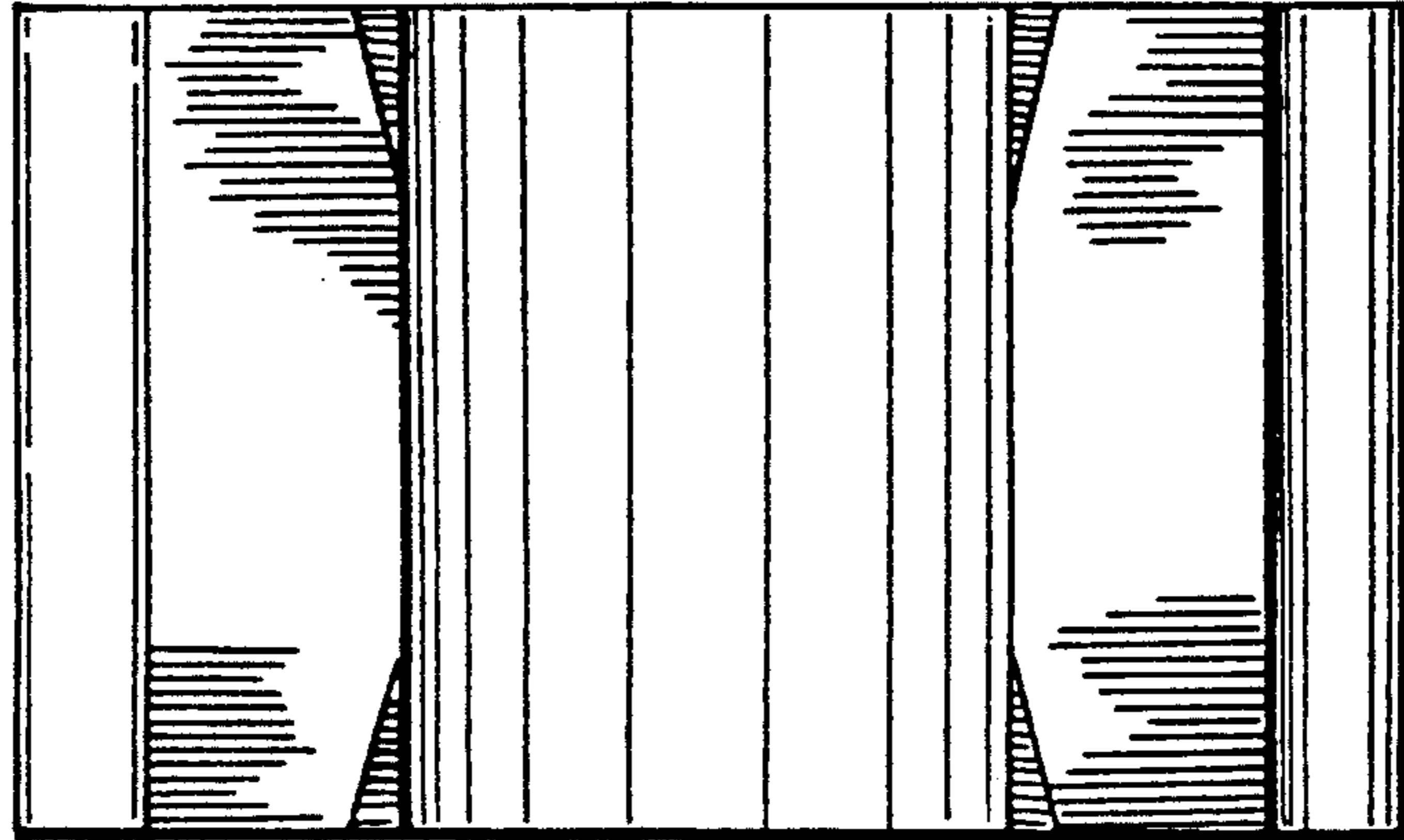


FIG. 5

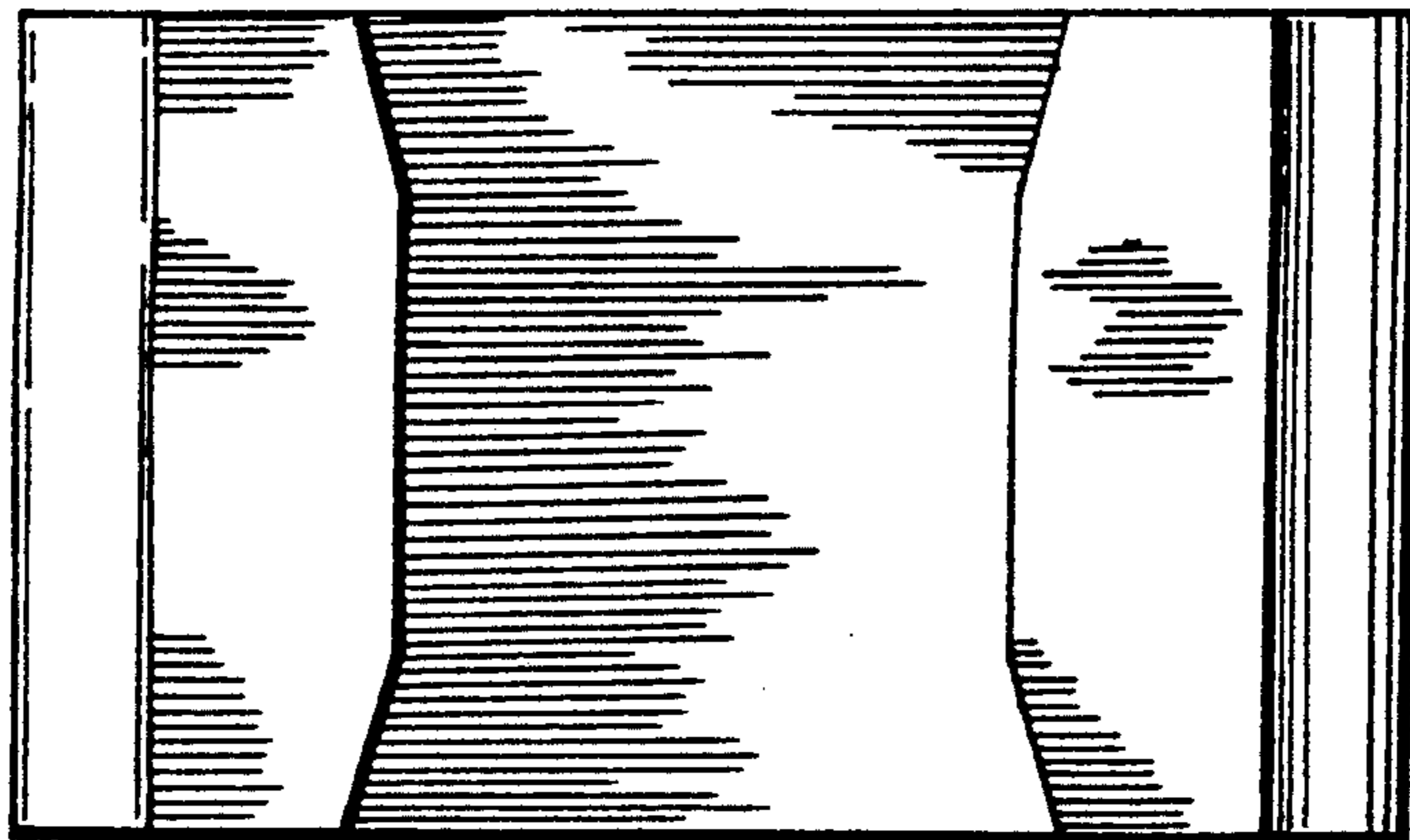


FIG. 6