



US00D335524S

United States Patent [19]

[11] Patent Number: **Des. 335,524**

Dillashaw

[45] Date of Patent: **** May 11, 1993**

[54] MULTIPLE SPOOL FISHING LINE DISPENSER

[76] Inventor: **John T. Dillashaw**, 1357 Merrimac Dr., Marco Island, Fla. 33937

[**] Term: **14 Years**

[21] Appl. No.: **660,585**

[22] Filed: **Feb. 25, 1991**

[52] U.S. Cl. **D22/134; D6/515**

[58] Field of Search **D22/134, 137, 149, 199; D3/25; D6/515, 574, 571; 43/54.1, 55, 25; 248/316.8, 309.1; 242/129.5, 129.62, 129.6, 140, 129.8, 137.1, 157.1, 129.51; 211/60.1, 87; 223/106**

[56] References Cited

U.S. PATENT DOCUMENTS

| | | | |
|------------|---------|----------------------|-------------|
| D. 267,694 | 1/1983 | Moriarty et al. | D6/574 |
| 3,962,815 | 6/1976 | Christensen | 43/54.1 X |
| 4,059,243 | 11/1977 | Hartley | 242/129.6 |
| 4,132,372 | 1/1979 | Worrell | 242/129.62 |
| 4,143,832 | 3/1979 | Platt | 242/129.62 |
| 4,541,586 | 9/1985 | Crowe | 242/129.8 X |

| | | | |
|-----------|---------|------------------|-------------|
| 4,548,368 | 10/1985 | Tomlinson | 242/129.6 |
| 4,708,244 | 11/1987 | Fish et al. | 43/54.1 X |
| 4,791,752 | 12/1988 | Van Kampen | 43/54.1 |
| 4,834,331 | 5/1989 | Domingo | 242/129.6 X |

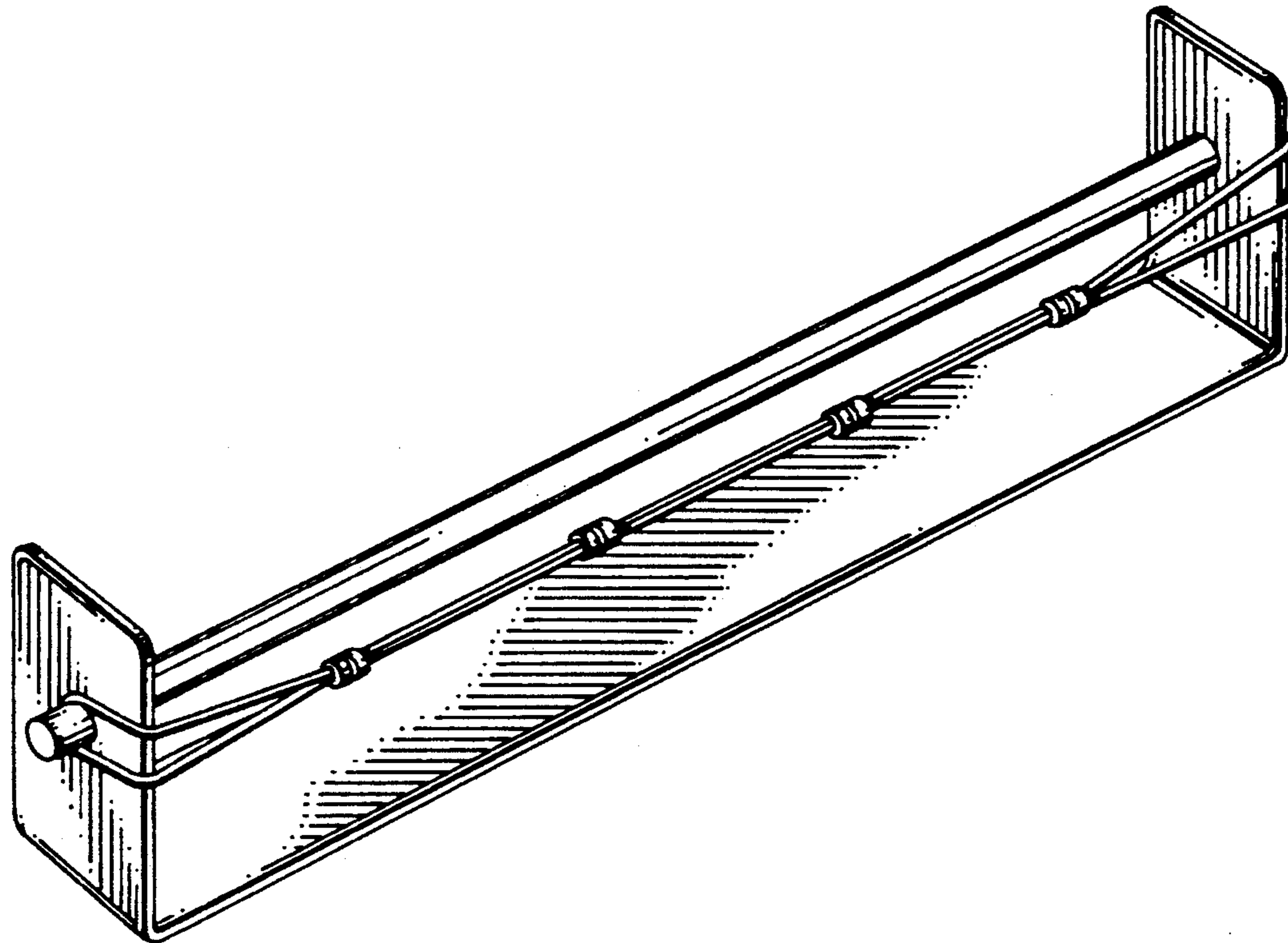
Primary Examiner—A. Hugo Word
Assistant Examiner—Doris V. Coles
Attorney, Agent, or Firm—Merrill N. Johnson

[57] CLAIM

The ornamental design for a multiple spool fishing line dispenser, as shown and described.

DESCRIPTION

FIG. 1 is a perspective view of a multiple spool fishing line dispenser, showing my new design; FIG. 2 is a front elevational view thereof; FIG. 3 is a rear elevational view thereof; FIG. 4 is a top plan view thereof; FIG. 5 is a bottom plan view thereof; and, FIG. 6 is an end view, the opposite end being a mirror image thereof. The broken line showing of spools of fish line in FIGS. 4 is for illustrative purposes only and forms no part of the claimed design.



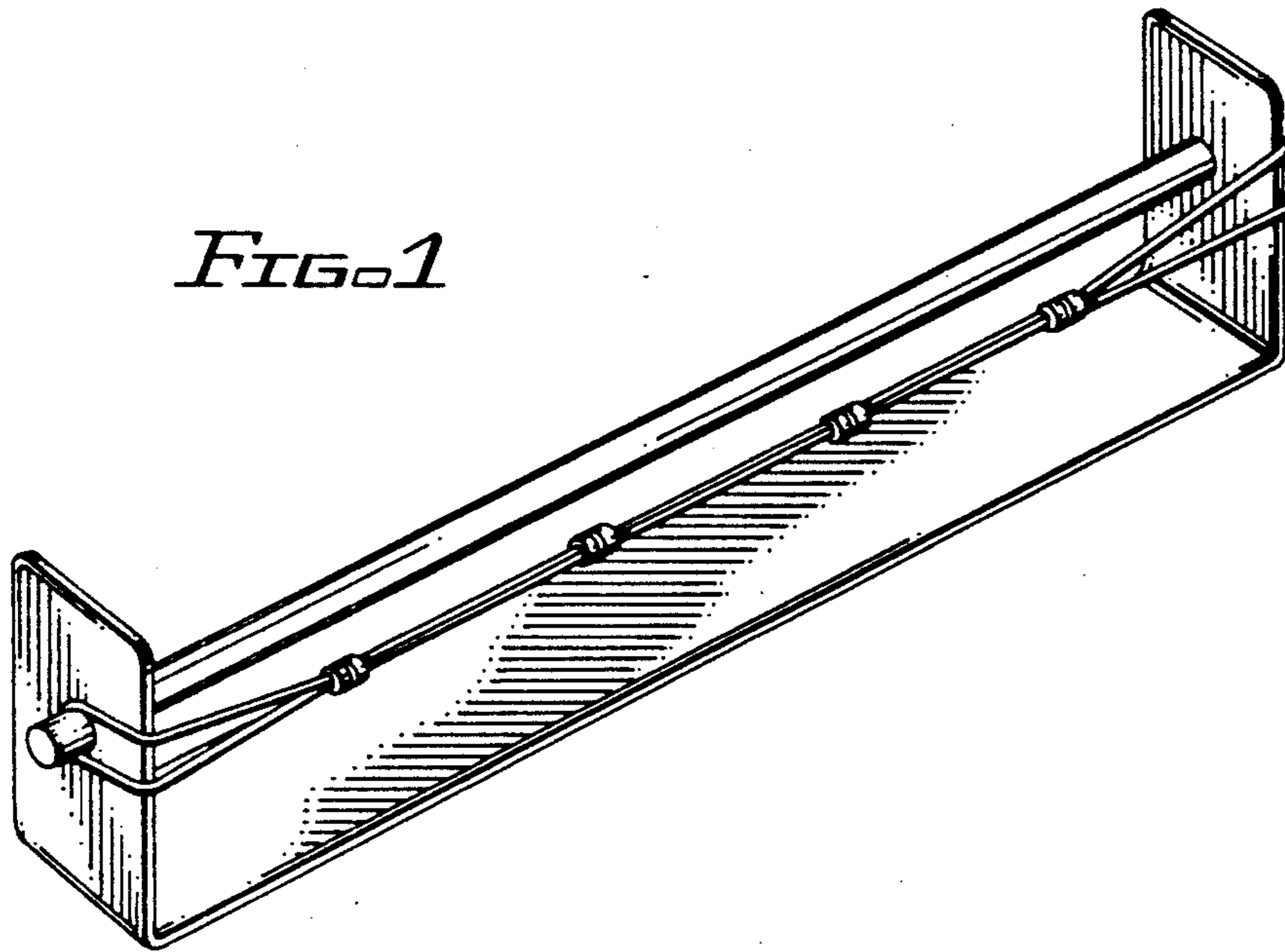


FIG. 1

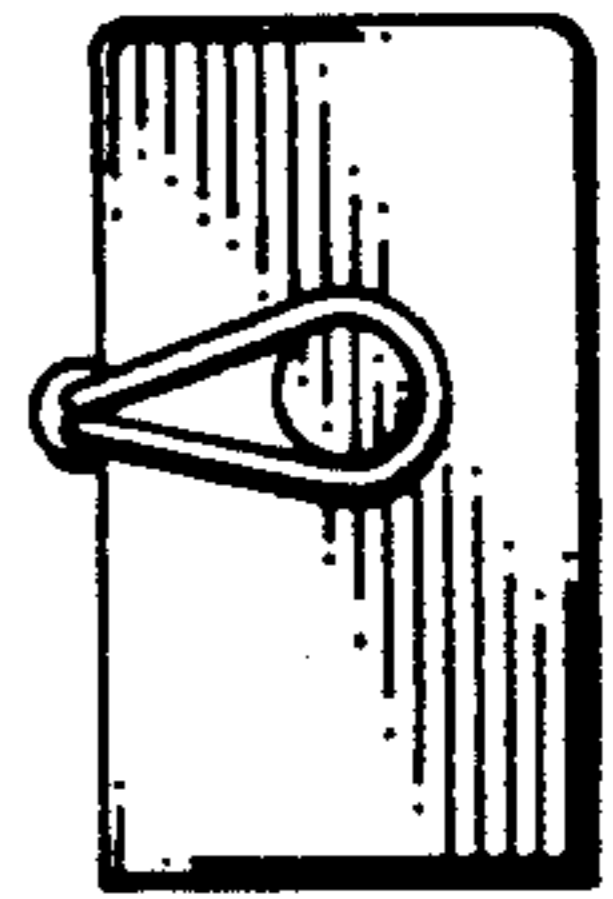


FIG. 6

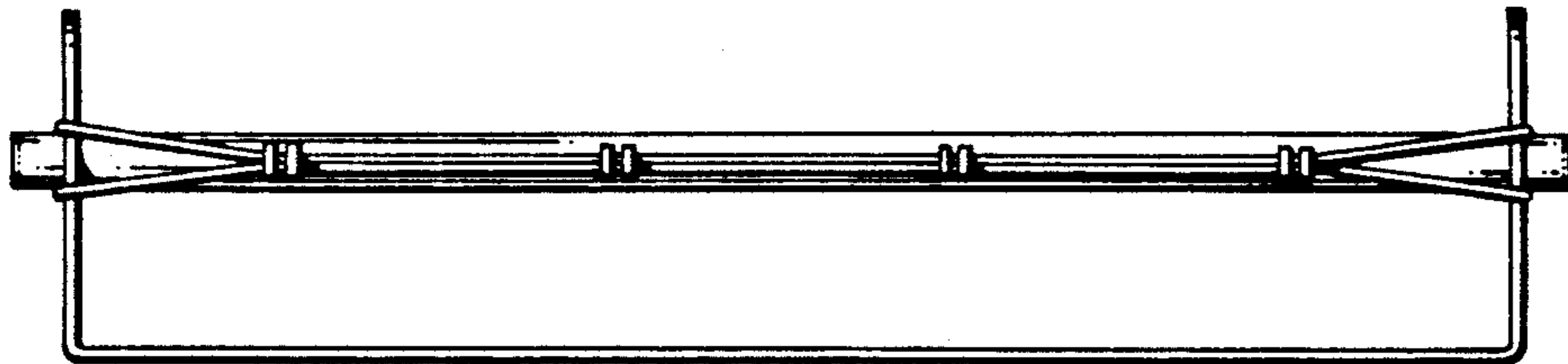


FIG. 2

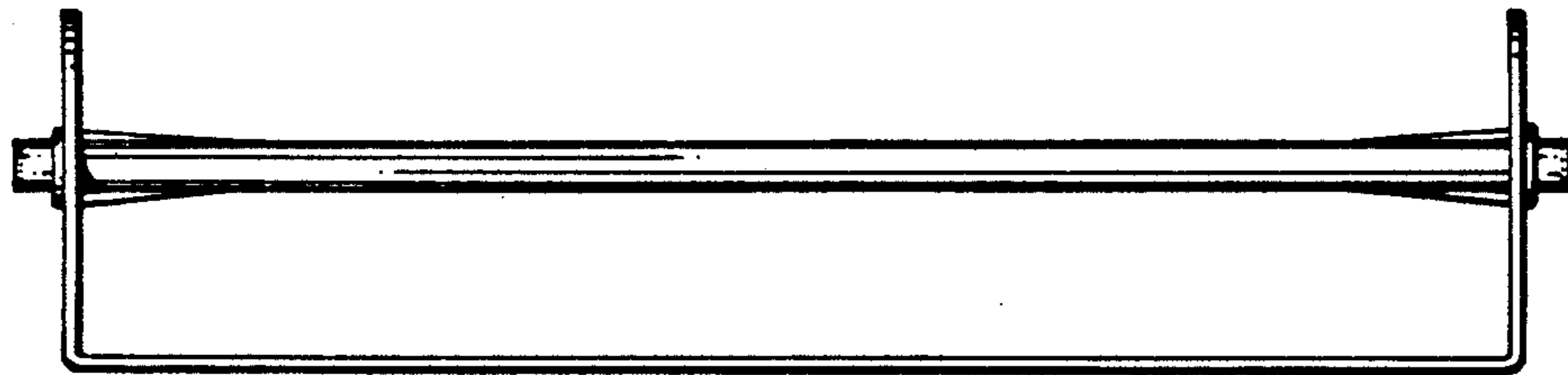


FIG. 3

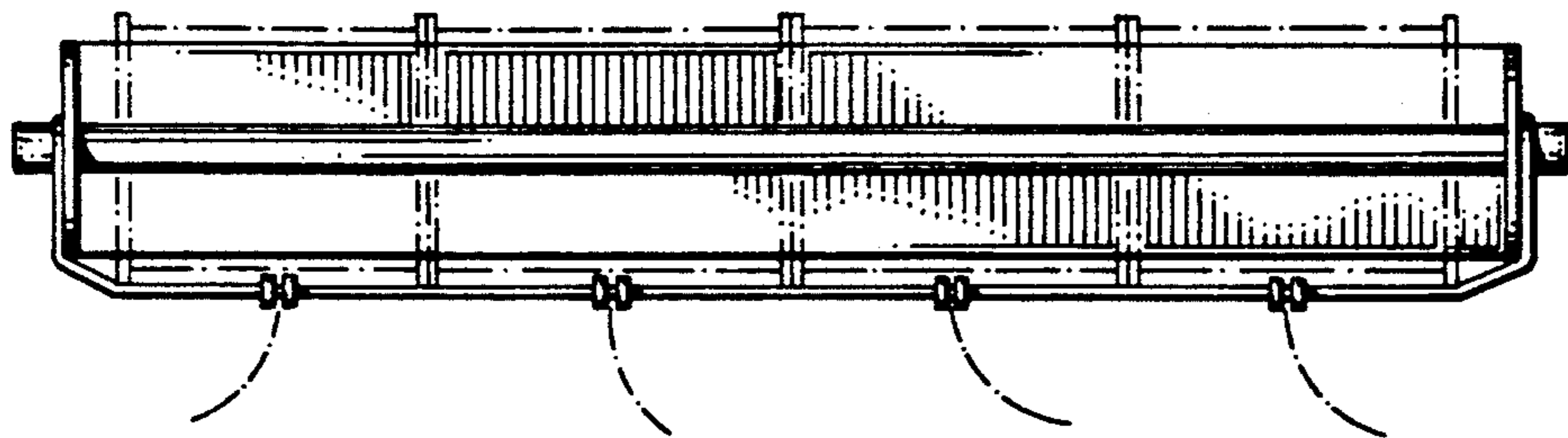


FIG. 4

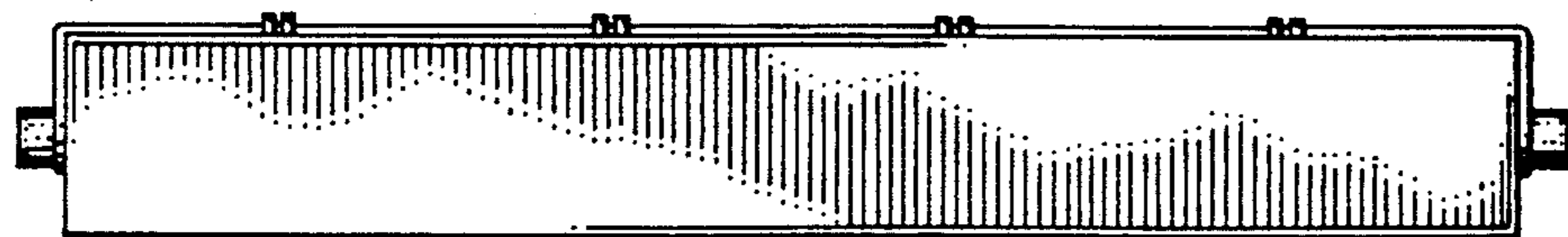


FIG. 5