



US00D335522S

**United States Patent** [19]  
**Tarbell**

[11] **Patent Number: Des. 335,522**  
[45] **Date of Patent: \*\* May 11, 1993**

[54] **CARTRIDGE CASE LURE**  
[76] **Inventor: Raymond O. Tarbell, East Hill Rd.,  
Box 123, Townshend, Vt. 05353**  
[\*\*] **Term: 14 Years**  
[21] **Appl. No.: 754,415**  
[22] **Filed: Sep. 3, 1991**  
[52] **U.S. Cl. .... D22/132; D22/126**  
[58] **Field of Search .... D22/126, 128, 129, 130,  
D22/132, 116; 102/464; 43/42, 42.06, 42.35,  
42.45, 42.33, 42.34, 42.39, 42.48, 42.26**

480,971 8/1892 Seibold ..... 102/464  
2,645,052 7/1953 Schiller ..... D22/126 X  
4,345,399 8/1982 Guzik ..... D22/126 X

*Primary Examiner—A. Hugo Word*  
*Assistant Examiner—Doris V. Coles*  
*Attorney, Agent, or Firm—Leon Gilden*

[57] **CLAIM**

The ornamental design for a cartridge case lure, as shown and described.

**DESCRIPTION**

FIG. 1 is a front elevational view of the cartridge case lure showing my new design;  
FIG. 2 is a rear elevational view thereof;  
FIG. 3 is a left side elevational view thereof;  
FIG. 4 is a right side elevational view thereof;  
FIG. 5 is a top plan view thereof; and,  
FIG. 6 is a bottom plan view thereof.

[56] **References Cited**  
**U.S. PATENT DOCUMENTS**  
D. 214,498 6/1969 Walters ..... D22/126  
D. 289,790 5/1987 Millroy ..... D22/126 X  
D. 300,344 3/1989 Boulette, III et al. .... D22/126  
339,306 4/1886 Libbey ..... 102/464

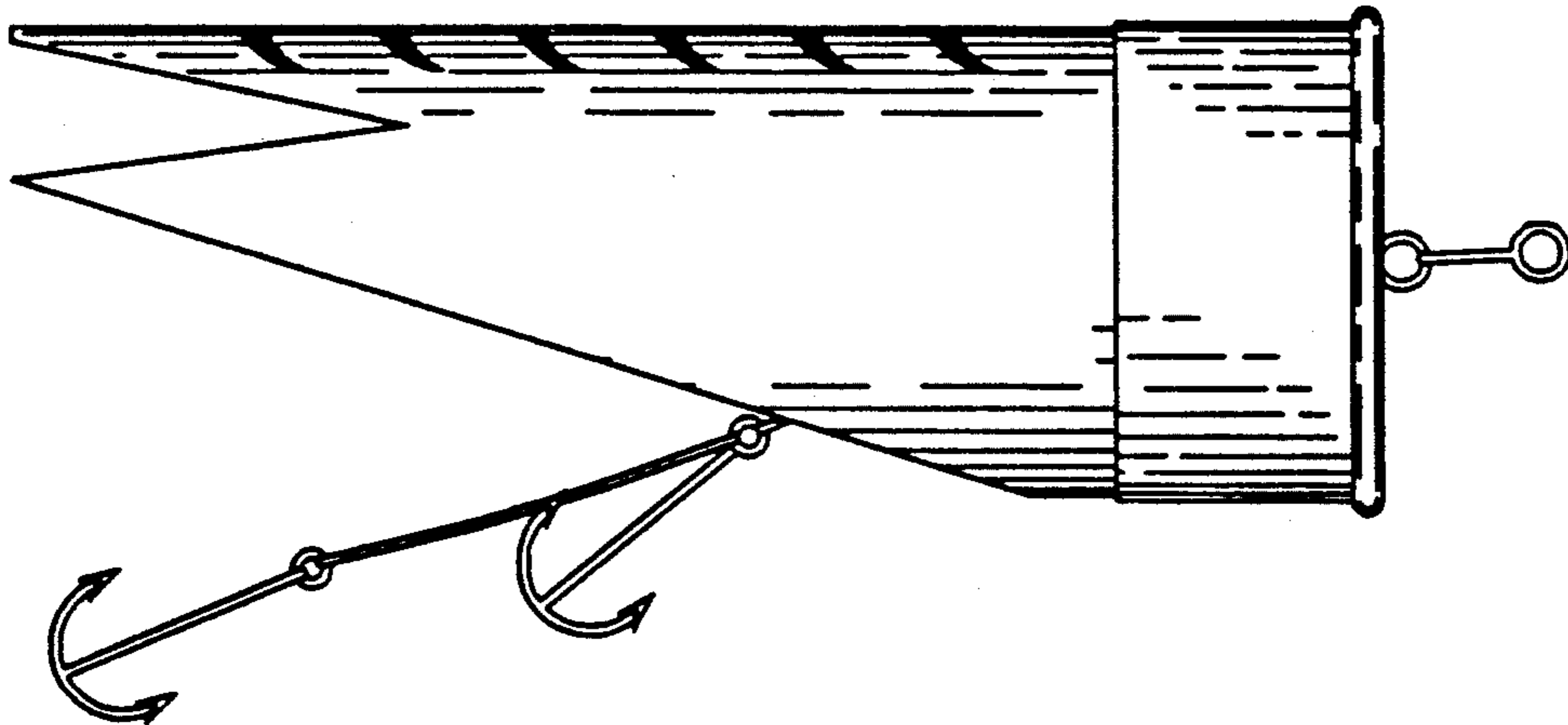


FIG. 1

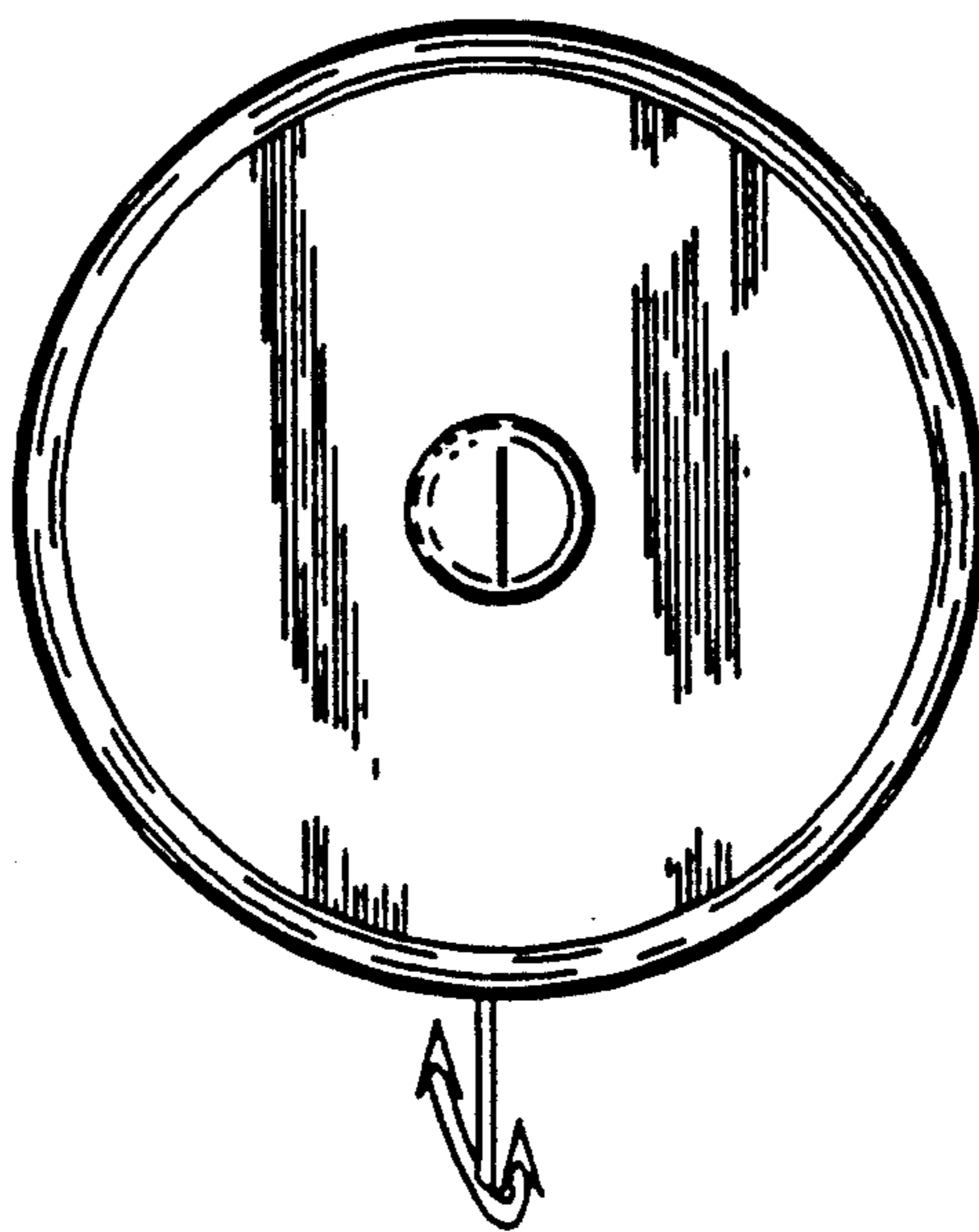


FIG. 2

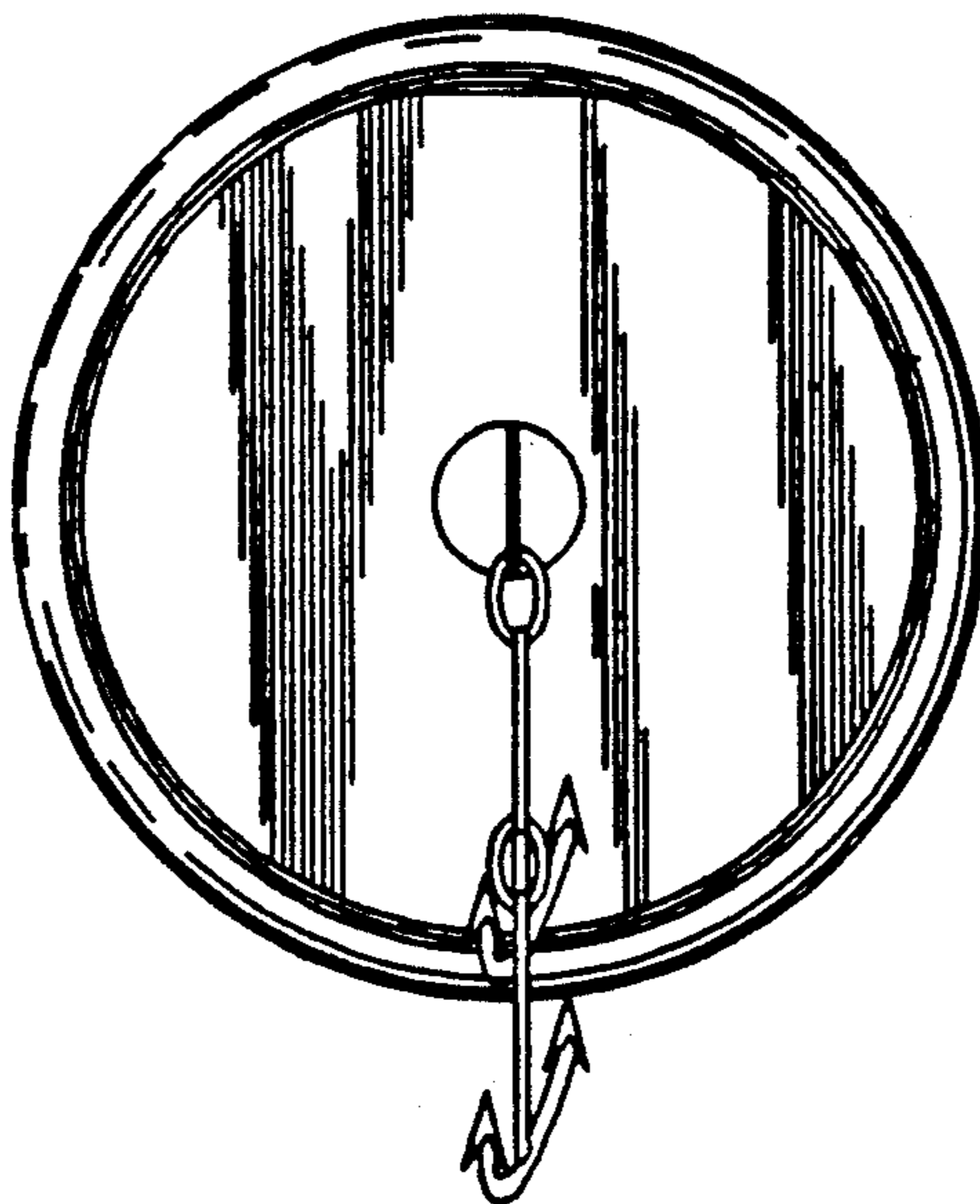


FIG. 3

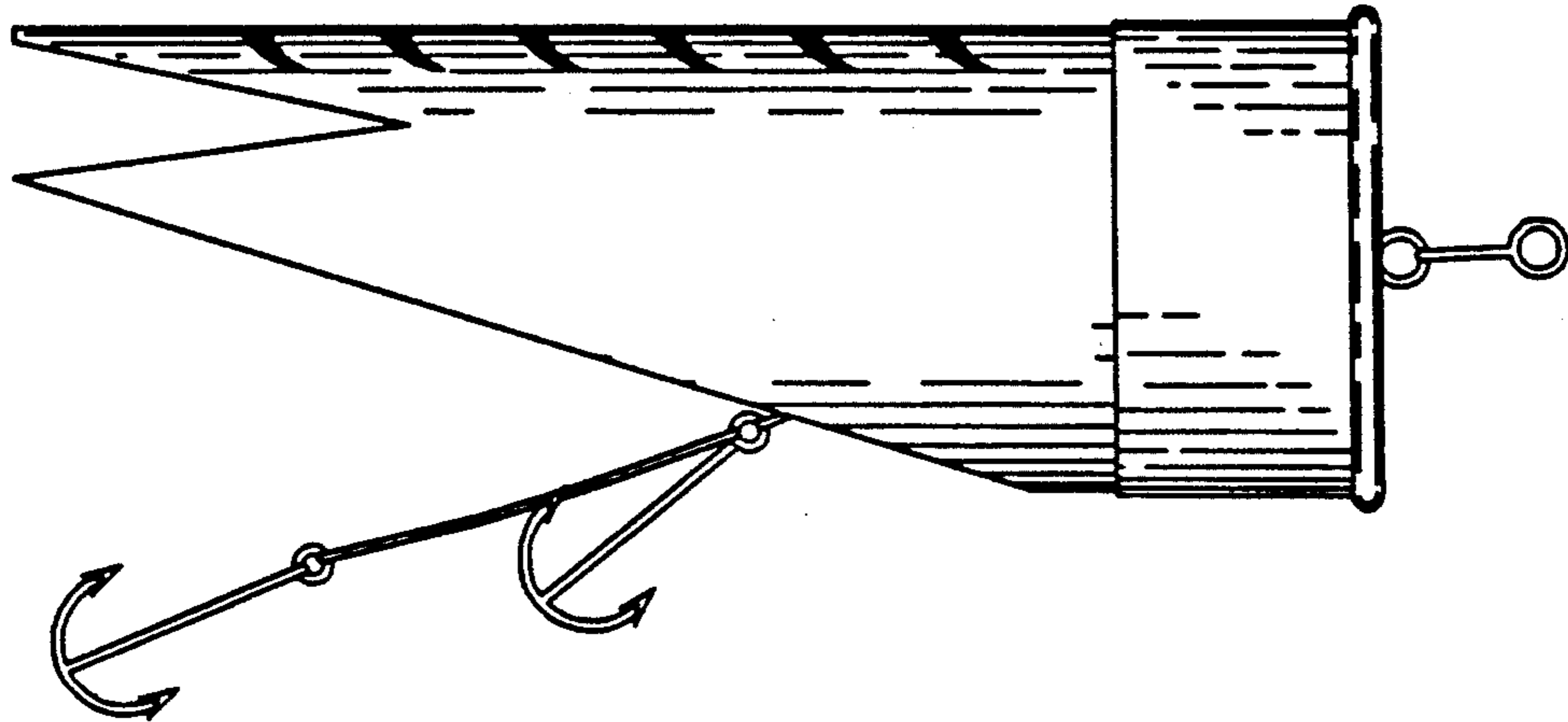


FIG. 4

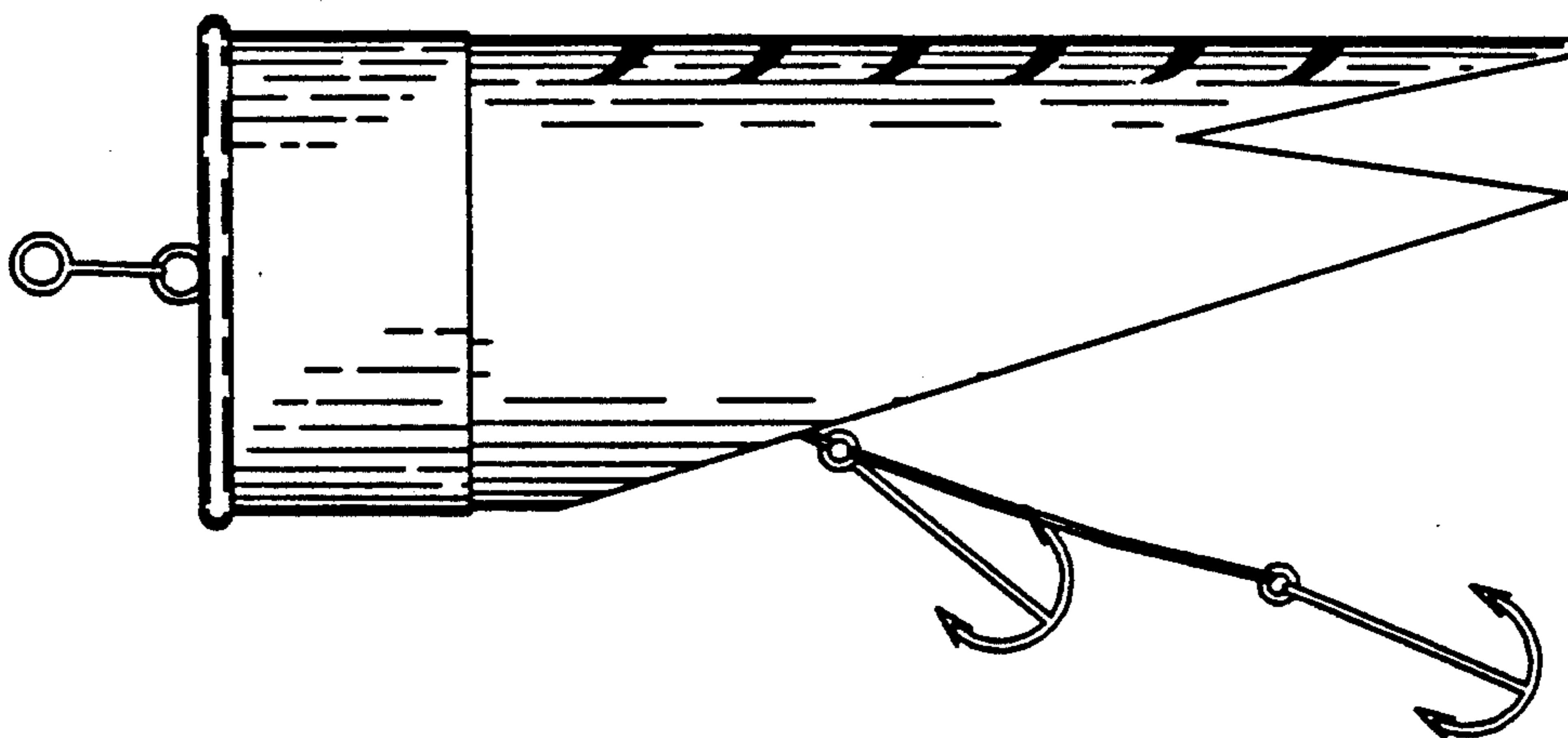


FIG. 5

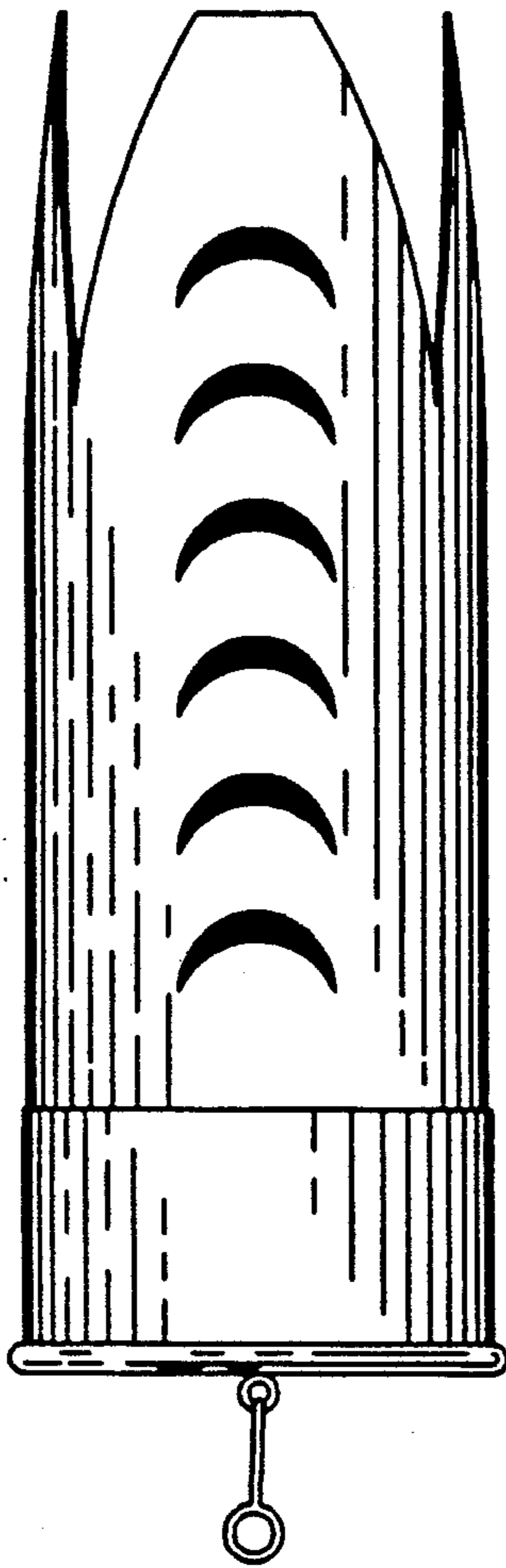


FIG. 6

