



US00D335519S

United States Patent [19]
Tripp

[11] **Patent Number: Des. 335,519**
[45] **Date of Patent: ** May 11, 1993**

- [54] **FIREARM TRIGGER DEVICE**
- [76] **Inventor: Virgil Tripp, 8907 Sparkling Creek Cir., Austin, Tex. 78729**
- [**] **Term: 14 Years**
- [21] **Appl. No.: 419,441**
- [22] **Filed: Oct. 10, 1989**
- [52] **U.S. Cl. D22/108**
- [58] **Field of Search D22/108; 89/144-145, 89/140, 149; 42/69.02, 90**

2,948,978 8/1960 Salverda 42/70.07 X
3,711,979 1/1973 Small 42/70.07

Primary Examiner—Wallace R. Burke
Assistant Examiner—H. Baynham
Attorney, Agent, or Firm—James L. Jackson

[57] **CLAIM**

The ornamental design for a firearm trigger device, as shown and described.

DESCRIPTION

FIG. 1 is a perspective view of a firearm trigger device showing my new design;
FIG. 2 is a side elevational view thereof;
FIG. 3 is an opposite side elevational view thereof;
FIG. 4 is a front elevational view thereof;
FIG. 5 is a rear elevational view thereof; and,
FIG. 6 is a bottom plan view thereof.

- [56] **References Cited**
- U.S. PATENT DOCUMENTS**
- 1,569,553 1/1926 Lewis et al. 42/70.07 X
- 2,286,932 6/1942 Roemer 89/145
- 2,512,140 6/1950 Childs et al. 42/70.07 X

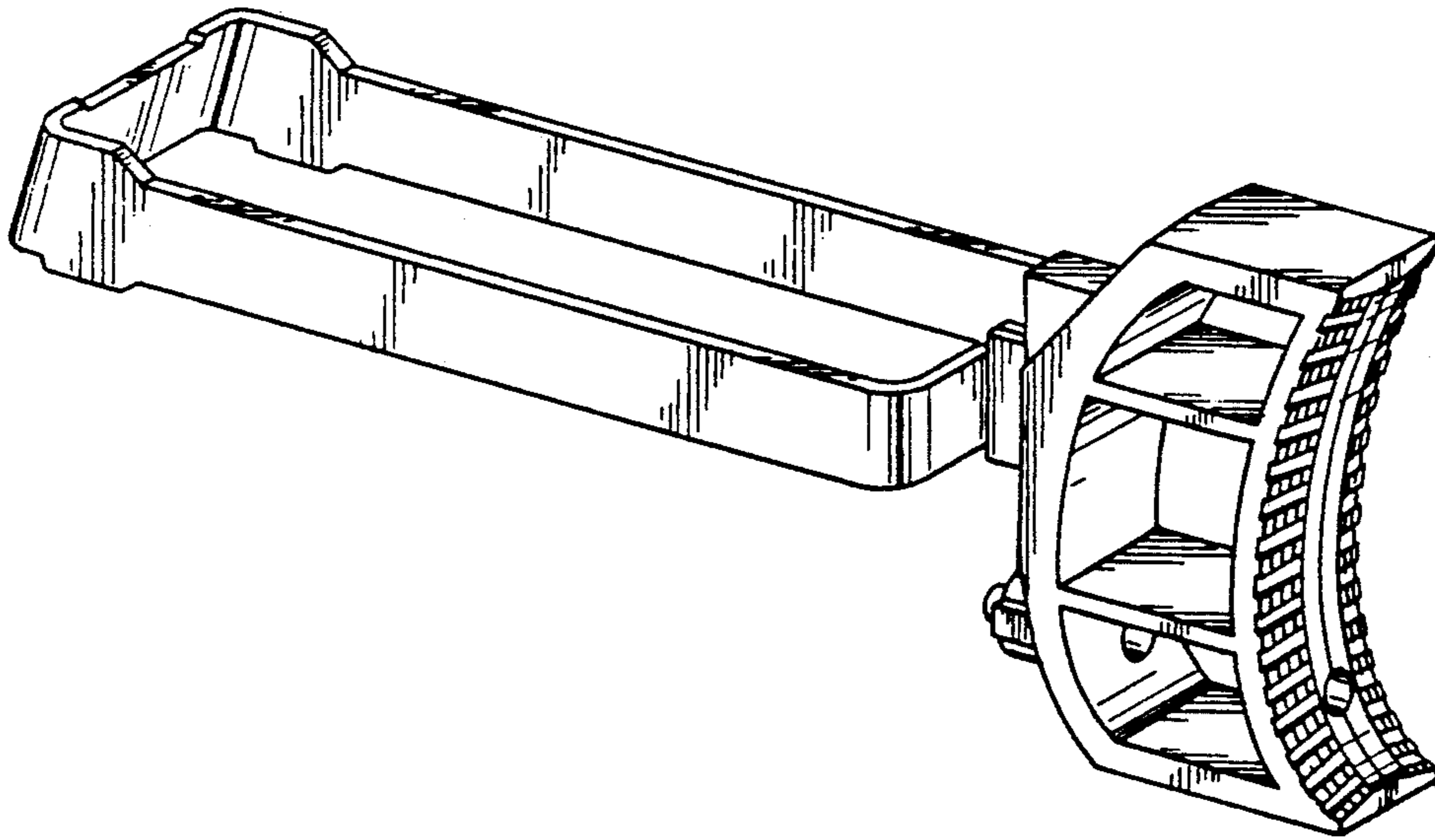


FIG.1

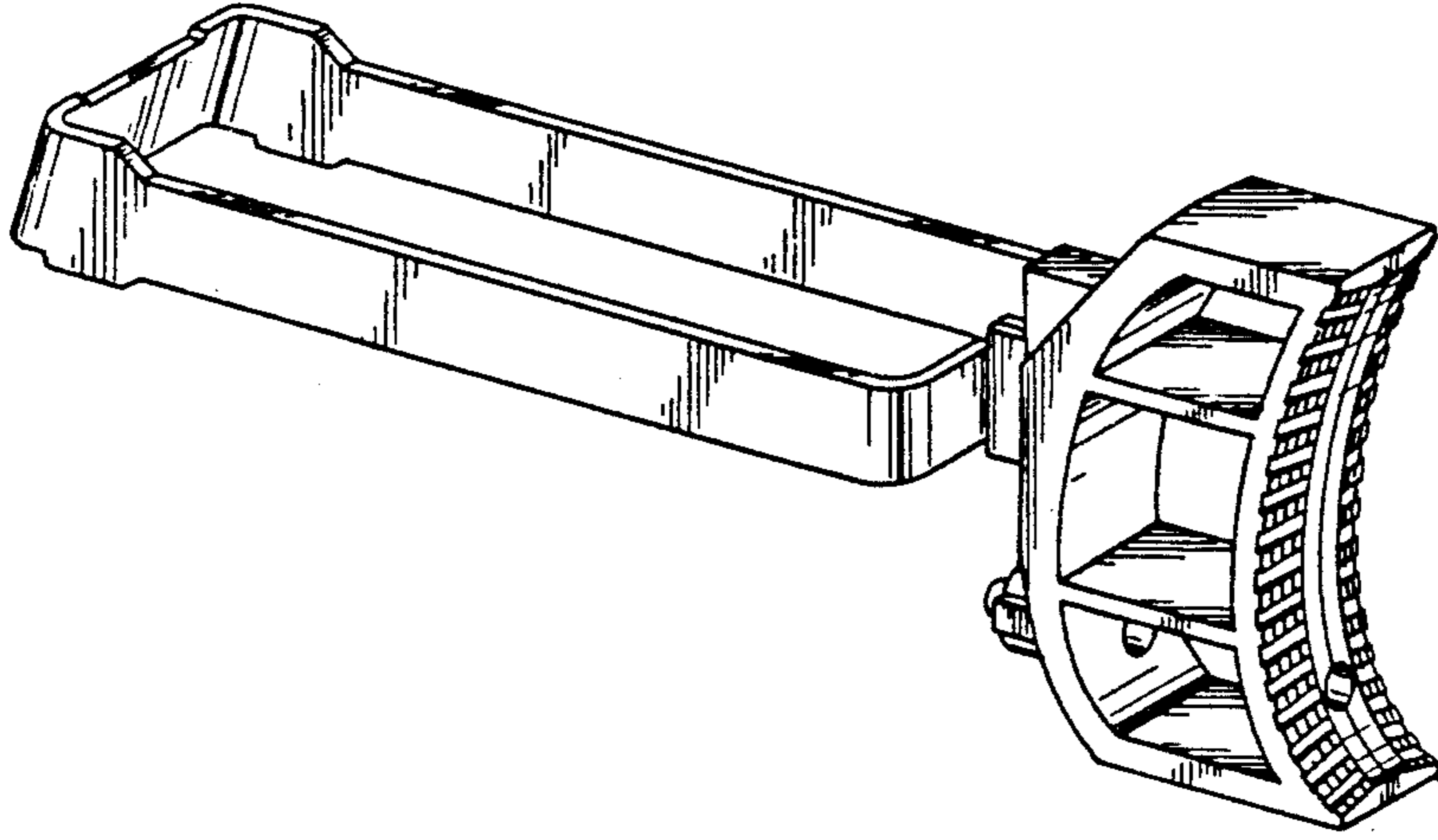


FIG. 2

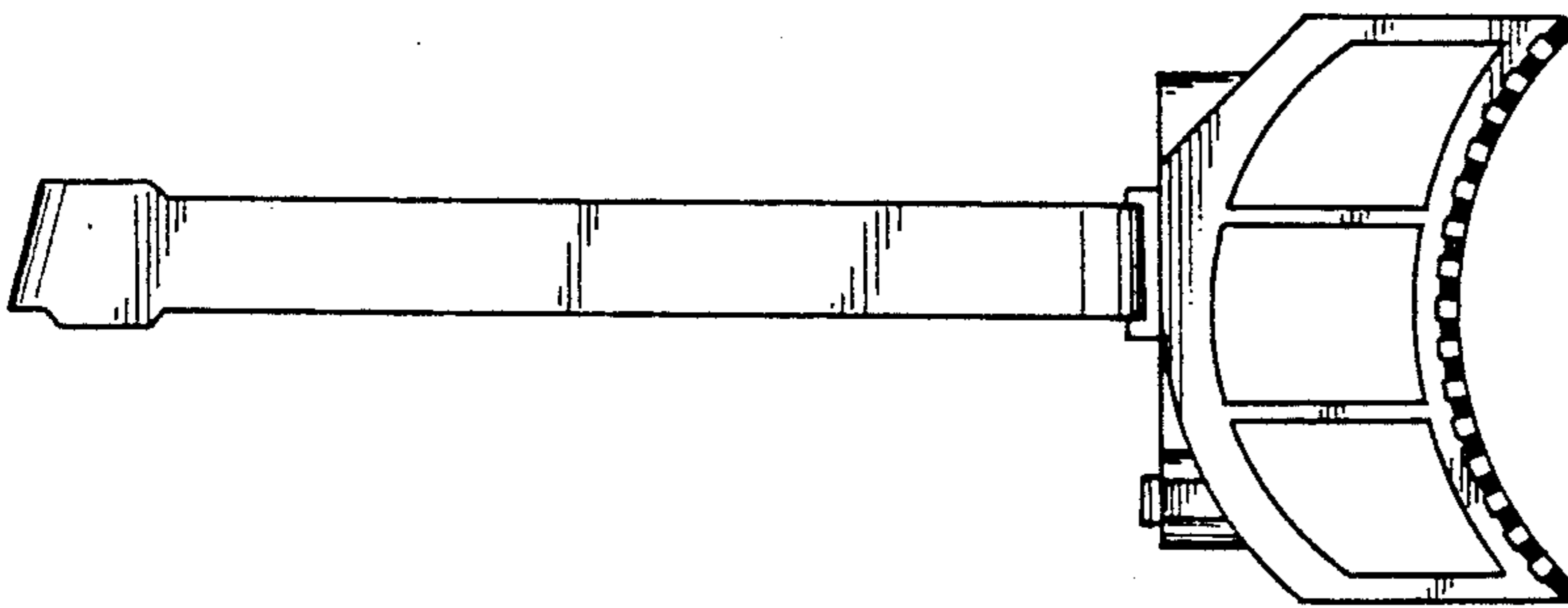


FIG. 4

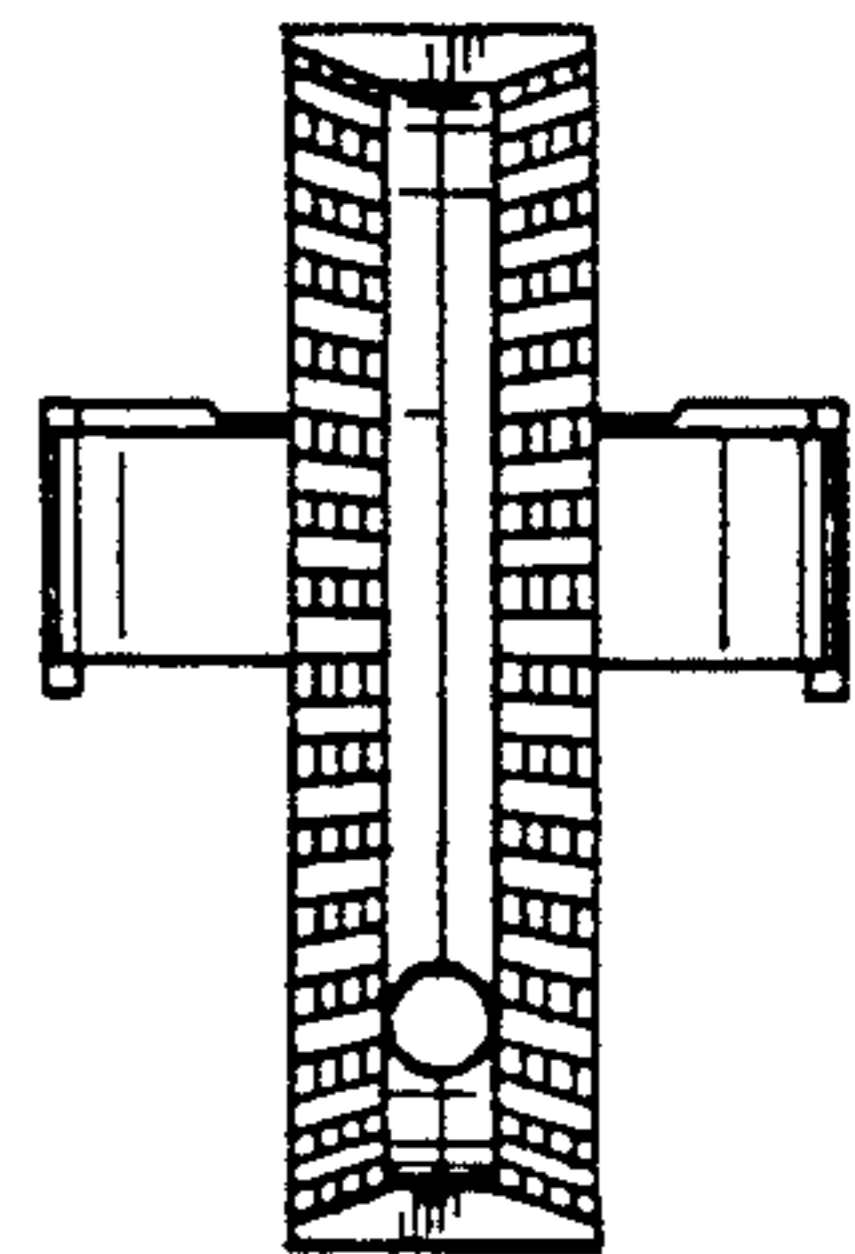


FIG. 3

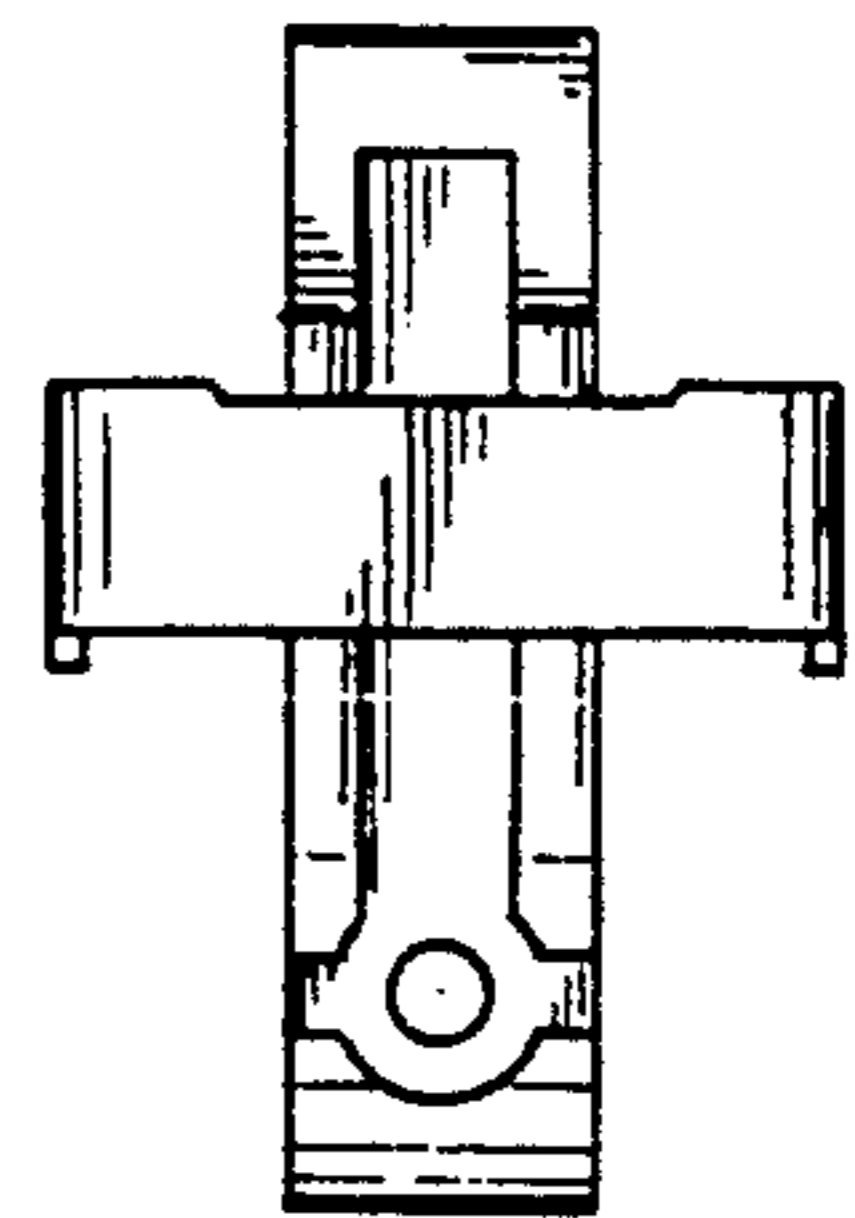
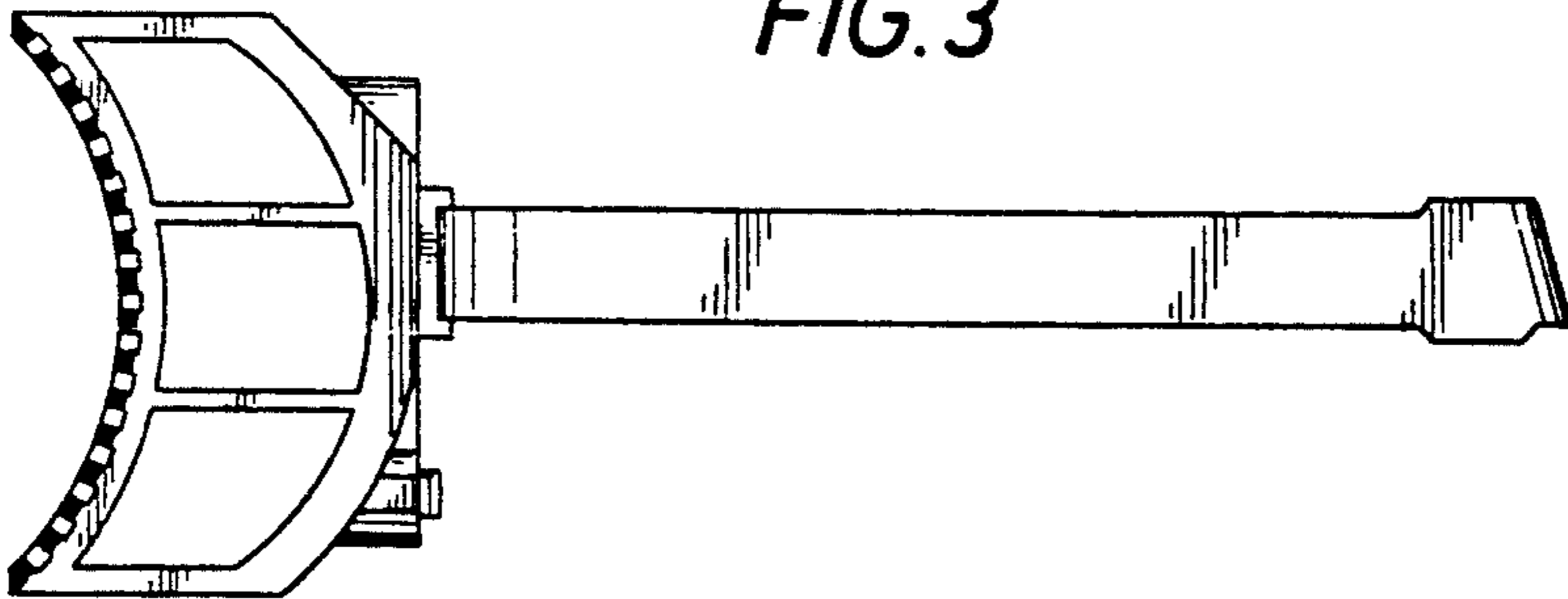


FIG. 5

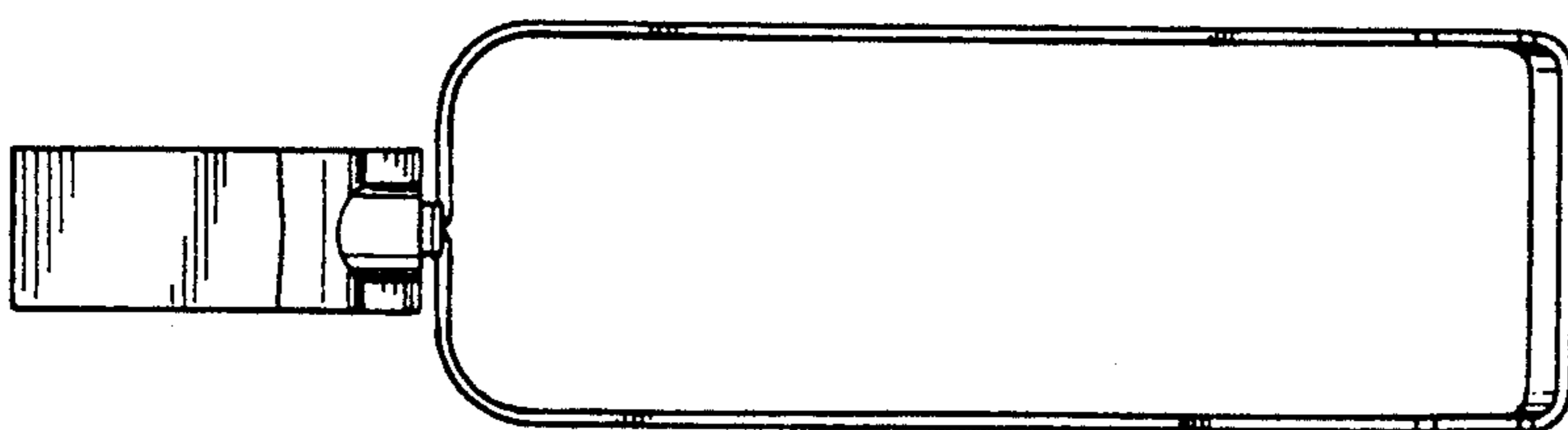


FIG. 6