



US00D335514S

United States Patent [19]

[11] Patent Number: **Des. 335,514**

Ramirez

[45] Date of Patent: **** May 11, 1993**

[54] **AUTOMATIC PITCHING MACHINE**

[76] Inventor: **Aubrey Ramirez, 728 Ridge Dr., Sand Springs, Okla. 74063**

[**] Term: **14 Years**

[21] Appl. No.: **533,708**

[22] Filed: **Jun. 5, 1990**

[52] U.S. Cl. **D21/210**

[58] Field of Search **D21/210; 273/26 D; 124/3, 17, 21**

4,765,222 8/1988 Pinson .

Primary Examiner—Melvin B. Feifer
Attorney, Agent, or Firm—Terry M. Gernstein

[57] CLAIM

The ornamental design for an automatic pitching machine, as shown and described.

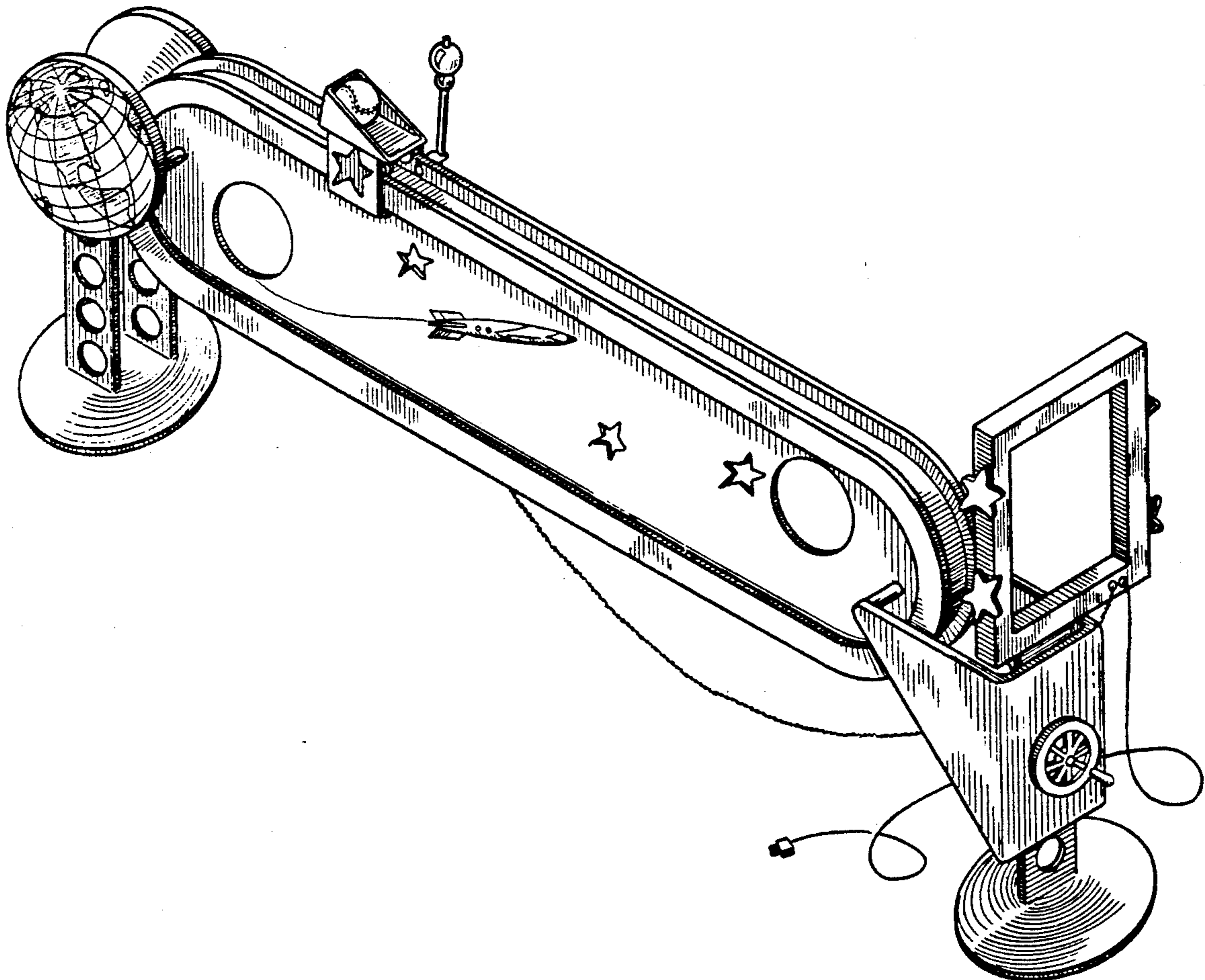
DESCRIPTION

FIG. 1 is a perspective view of an automatic pitching machine showing my new design, the bottom being plain and unornamented;
FIG. 2 is a side elevational view thereof the opposite side is similar except for the upstanding handle location;
FIG. 3 is a top plan view thereof;
FIG. 4 is an end elevational view taken from the right of FIG. 1; and,
FIG. 5 is an end elevational view taken from the left of FIG. 1.

[56] References Cited

U.S. PATENT DOCUMENTS

1,565,895	12/1925	Blaustein .	
2,390,247	12/1945	Ford .	
2,921,574	1/1960	Saito	124/17
3,277,878	10/1966	Pankratz	273/26 D
3,299,565	1/1967	Yarashes	124/3



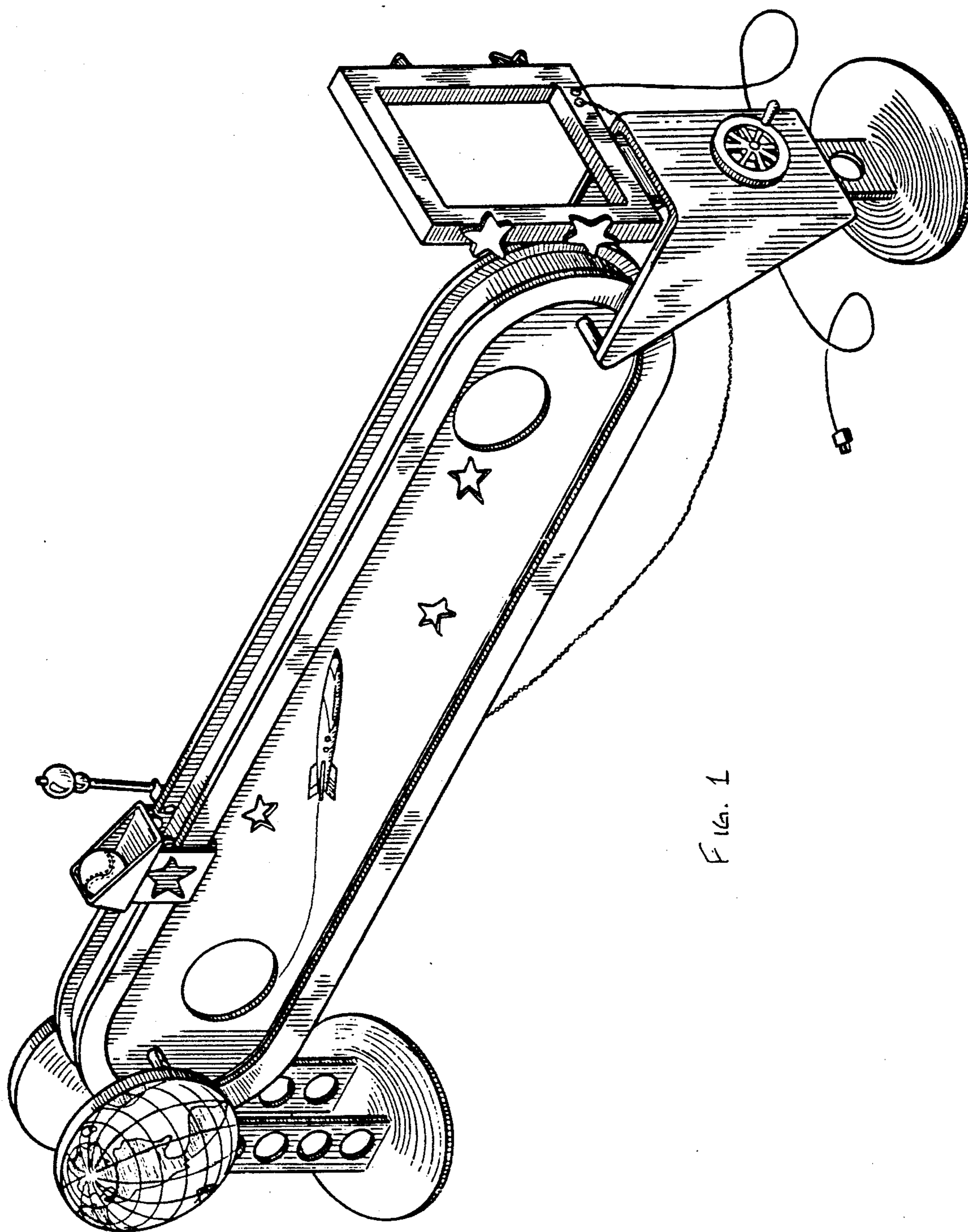


FIG. 1

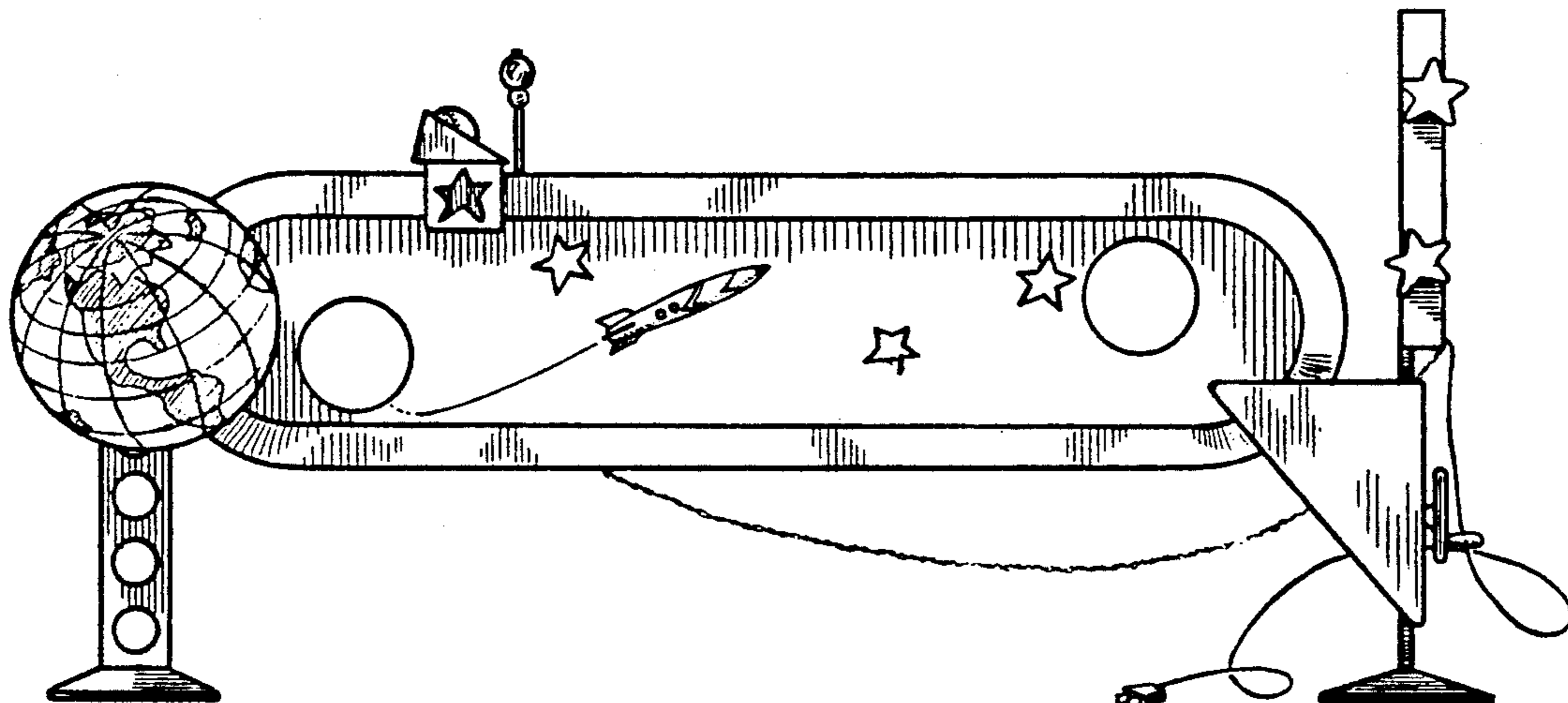


FIG 2

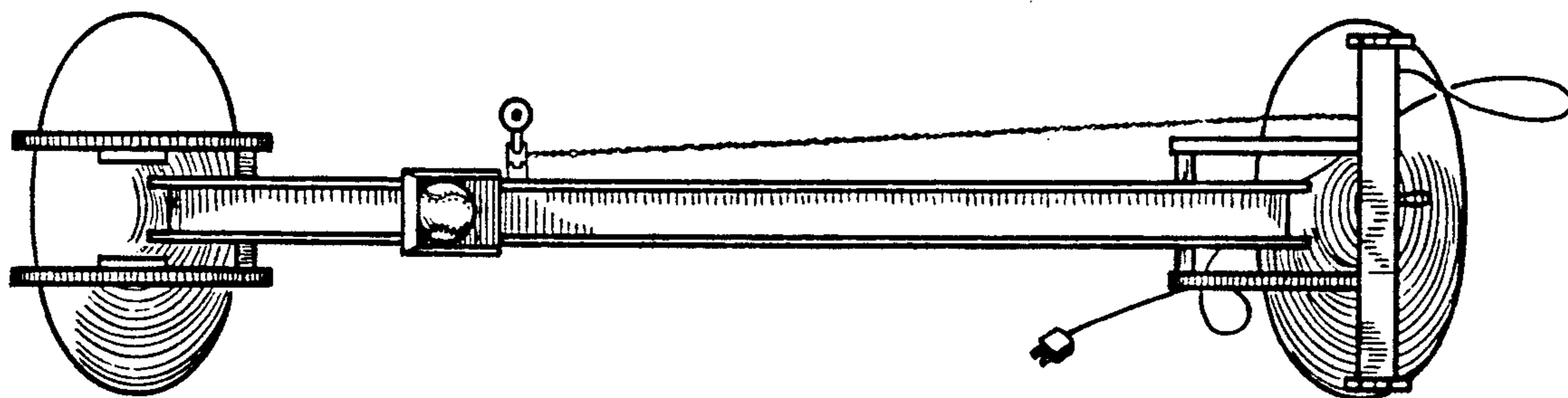


FIG. 3

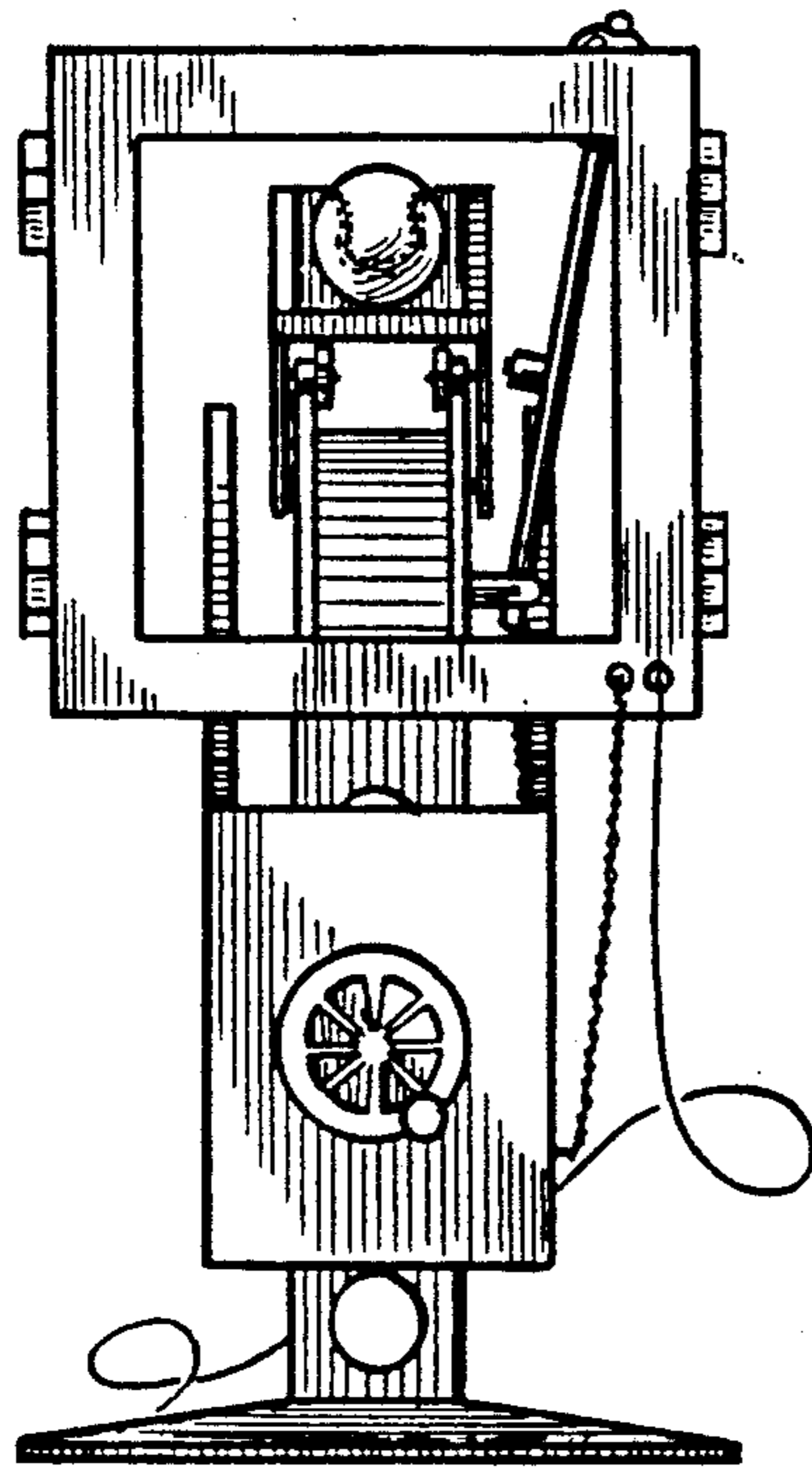


FIG. 4

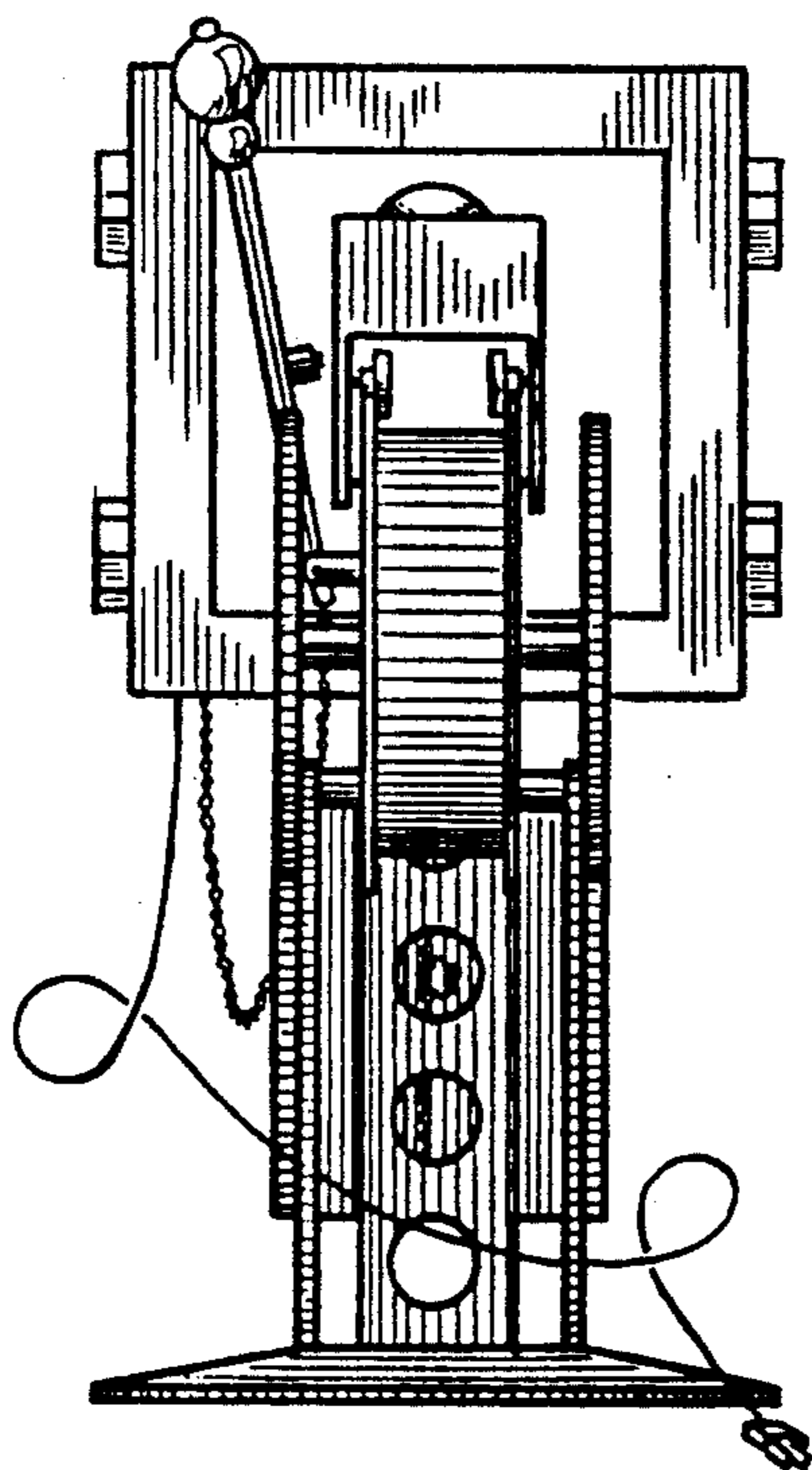


FIG. 5