



US00D335513S

# United States Patent [19]

[11] Patent Number: **Des. 335,513**

Gaetano

[45] Date of Patent: **\*\* May 11, 1993**

[54] PUNCHING BAG STAND

4,557,478 12/1985 Levine ..... 482/90  
4,953,852 9/1990 Donohue ..... 482/87

[76] Inventor: **John Gaetano**, Suite 201, 1035 E. Hillsdale Blvd., Foster City, Calif. 94404

*Primary Examiner*—Bernard Ansher  
*Assistant Examiner*—Philip Hyder  
*Attorney, Agent, or Firm*—Alfons Puishes

[\*\*] Term: **14 Years**

[57] **CLAIM**

[21] Appl. No.: **585,819**

The ornamental design for a punching bag stand, as shown and described.

[22] Filed: **Oct. 17, 1990**

[52] U.S. Cl. .... **D21/199**

### DESCRIPTION

[58] Field of Search ..... D21/191, 199; 482/83, 482/84, 85, 86, 87, 88, 89, 90

FIG. 1 is a perspective view of a punching bag stand showing my new design;

FIG. 2 is a front elevational view thereof;

FIG. 3 is a left side elevational view thereof, the right side being a mirror image;

FIG. 4 is a rear elevational view thereof;

FIG. 5 is a top plan view thereof; and,

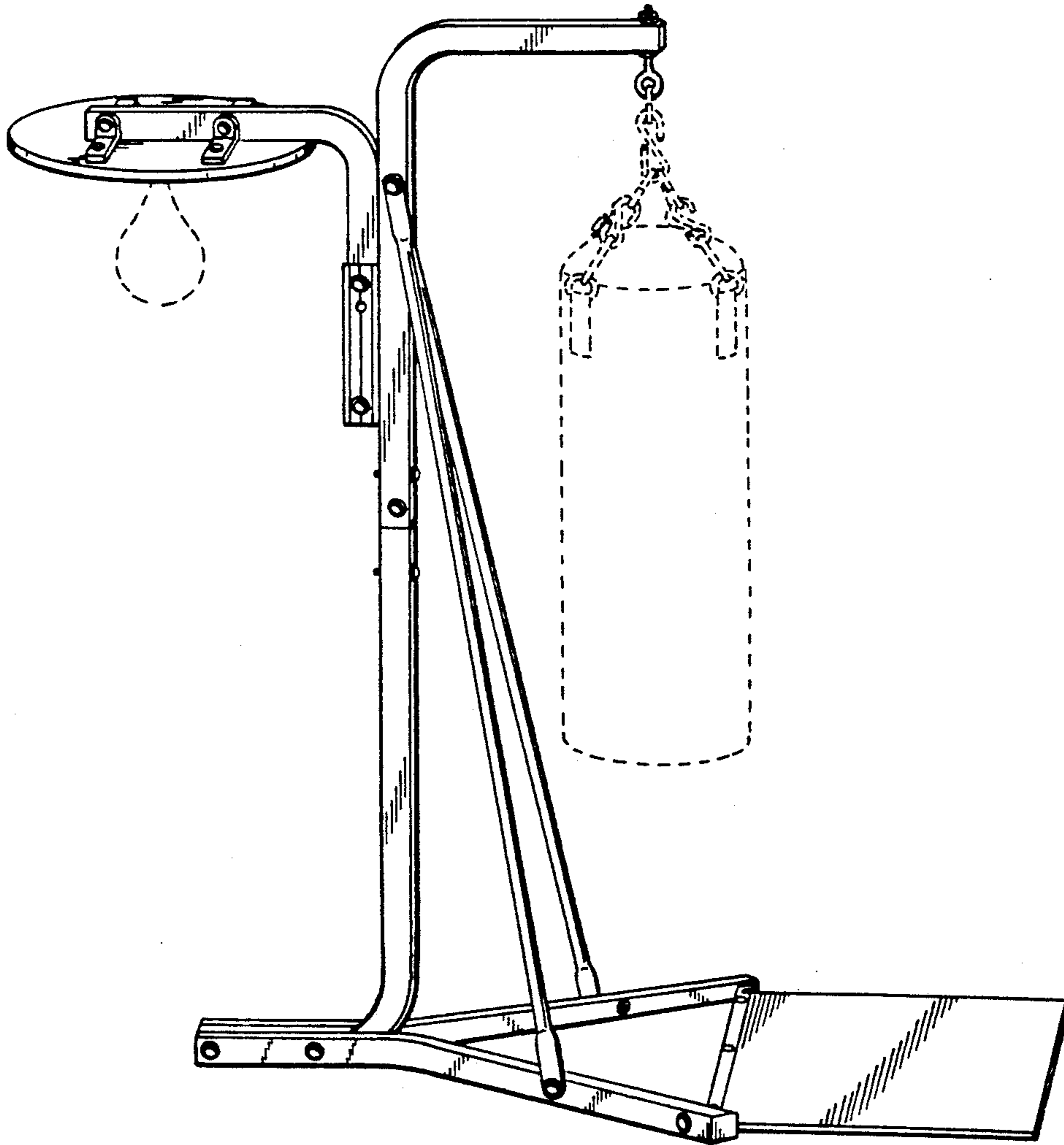
FIG. 6 is a bottom plan view thereof.

The broken line showing of the punching bags in FIG. 1 is for illustrative purposes only and forms no part of the claimed design.

[56] **References Cited**

#### U.S. PATENT DOCUMENTS

D. 291,339	8/1987	Charles	.....	D21/199
D. 311,234	10/1990	Arami-Nikjeh	.....	D21/199
1,928,089	9/1933	Blickman	.....	482/90
3,411,497	11/1968	Rickey et al.	.....	482/87
3,510,131	5/1970	Gardner	.....	482/90
4,403,772	9/1983	Stangle	.....	482/90



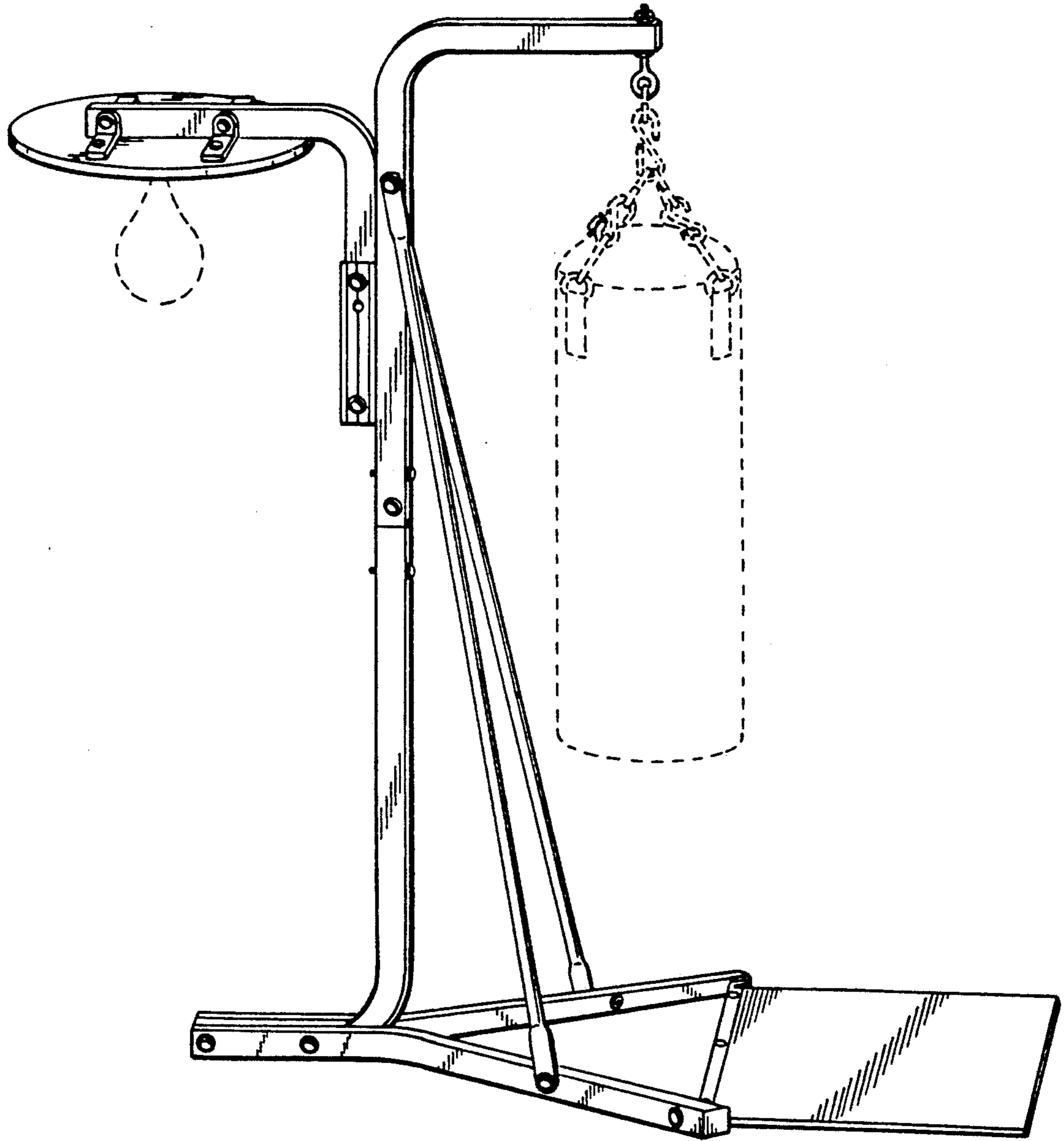
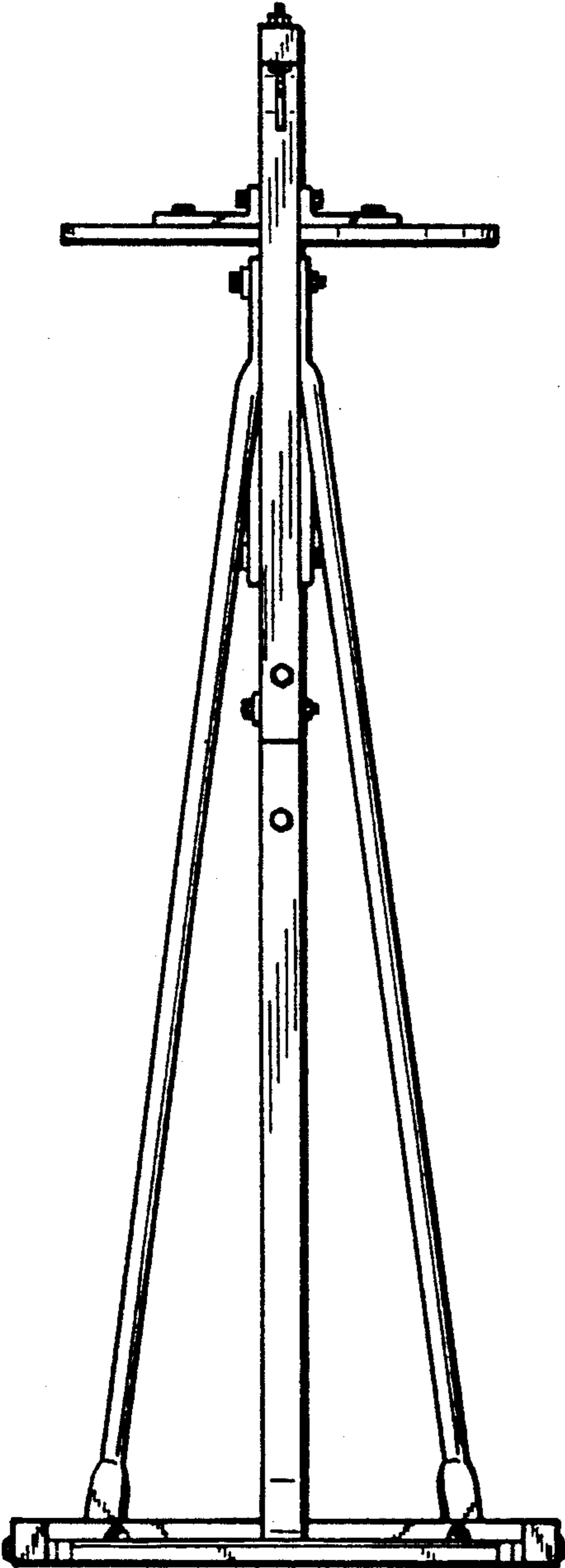
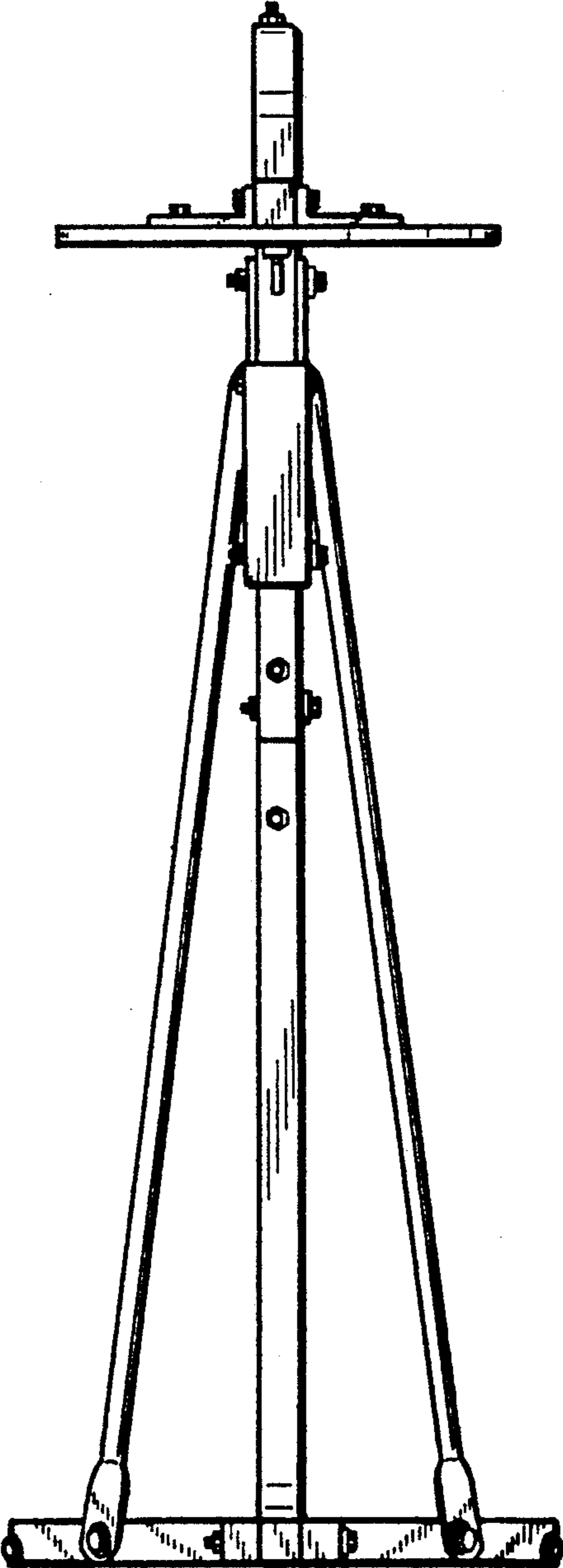


FIG. 1



*FIG. 2*



*FIG. 4*

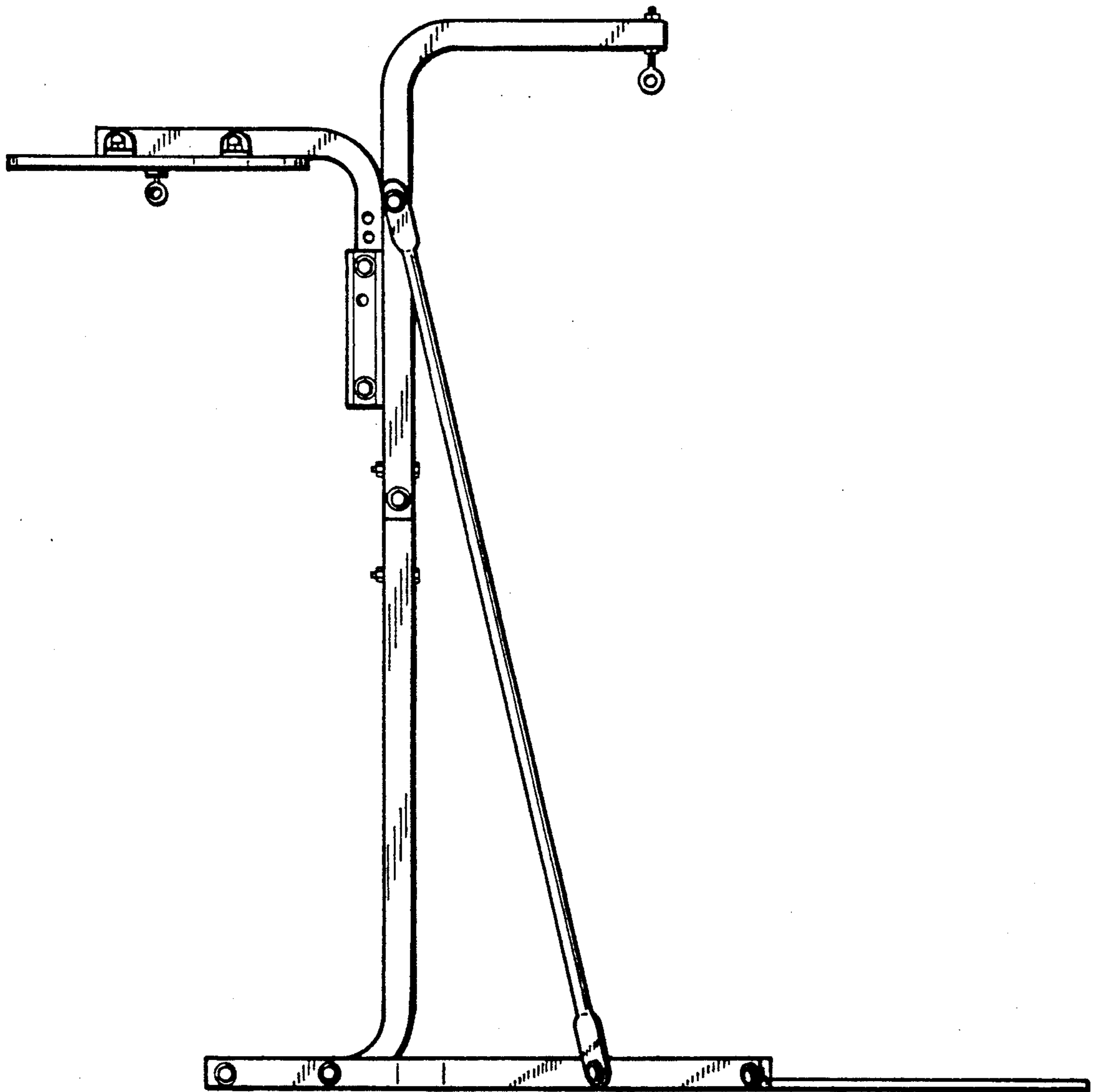


FIG. 3

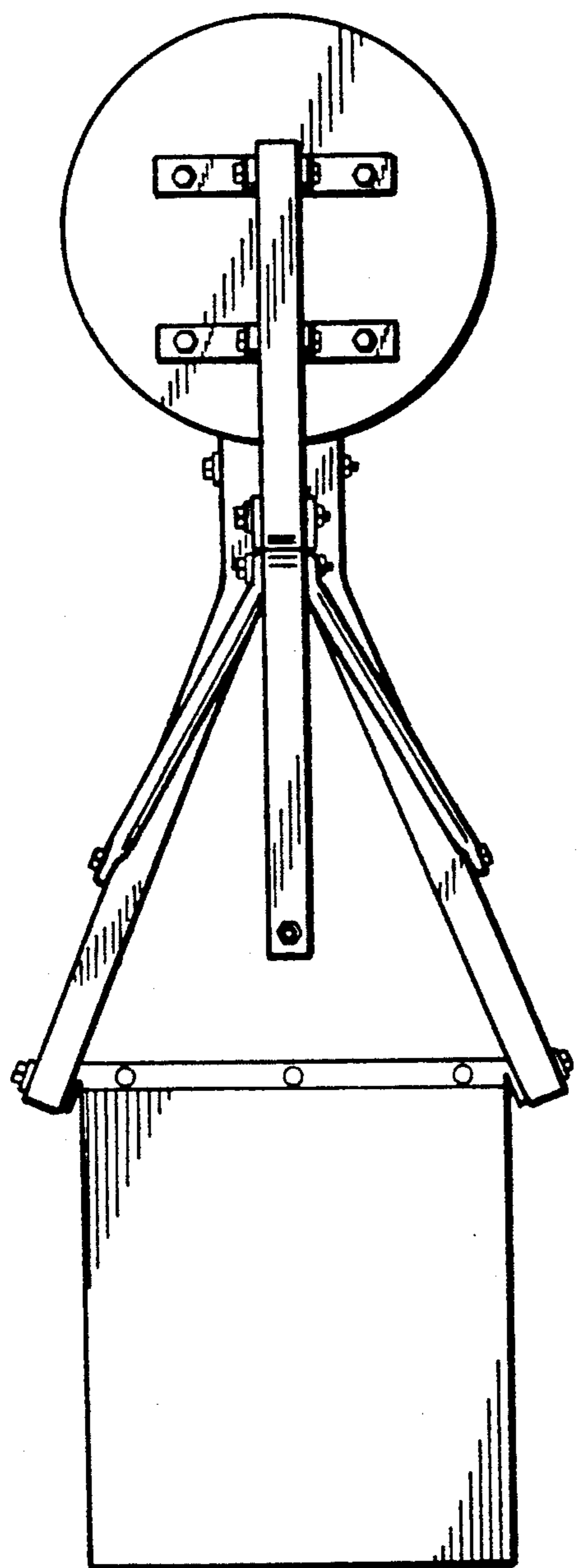


FIG.\_5

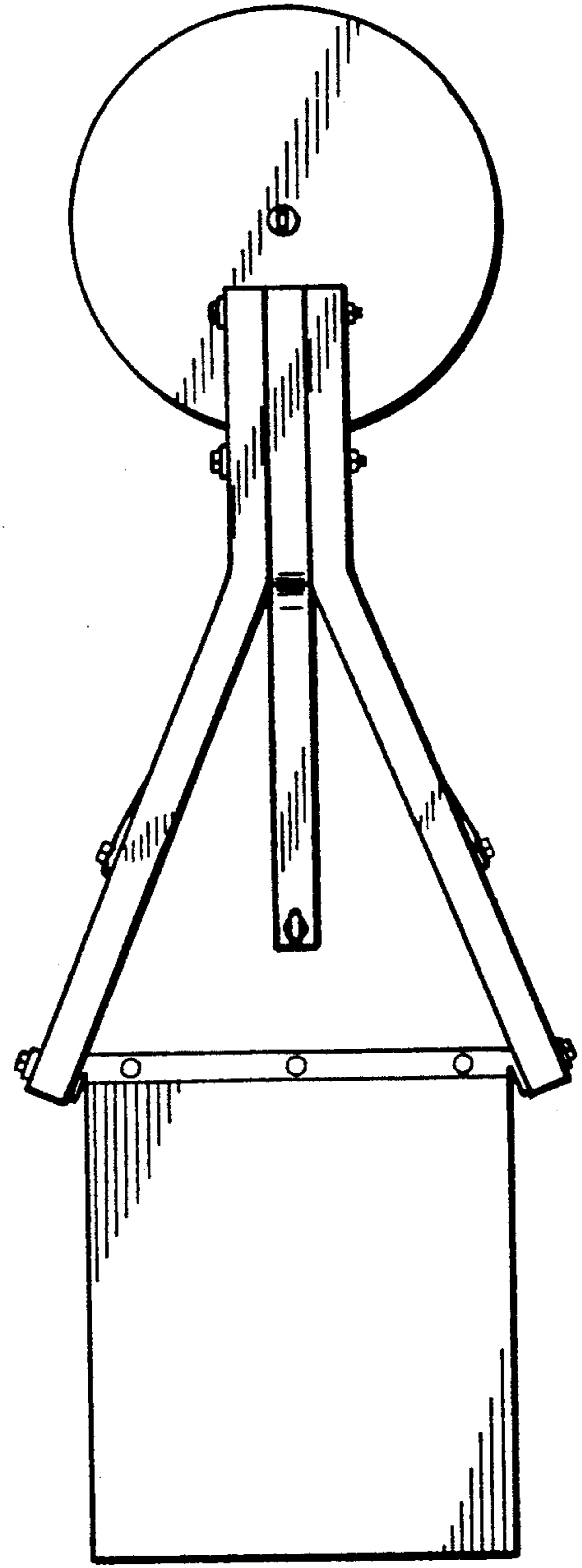


FIG.\_6