



US00D335510S

United States Patent [19]

Shiraishi

[11] Patent Number: **Des. 335,510**

[45] Date of Patent: **** May 11, 1993**

[54] TOY VEHICLE

[75] Inventor: **Masami Shiraishi, Tokyo, Japan**

[73] Assignee: **Combi Corporation, Tokyo, Japan**

[**] Term: **14 Years**

[21] Appl. No.: **799,627**

[22] Filed: **Nov. 29, 1991**

[30] Foreign Application Priority Data

Jun. 5, 1991 [JP] Japan 3-16292

[52] U.S. Cl. **D21/134**

[58] Field of Search D21/73, 76-80,
D21/124, 128, 134, 136, 139, 141, 141.1, 142,
161, 168, 177, 250; D12/85, 92, 128, 129;
D19/63; 446/7, 279, 281, 451, 465; 280/47.36,
642-644, 658

[56] References Cited

U.S. PATENT DOCUMENTS

D. 231,665 5/1974 Spiegel D21/134
D. 249,736 9/1978 Bergman D21/168

1,571,071 1/1926 Sweet D21/136
3,421,257 1/1969 Ostrander 446/279
4,244,144 1/1981 Goldberg 446/279

OTHER PUBLICATIONS

Playthings Feb. 1985, p. 135, lower right of page.

Primary Examiner—Bernard Ansher
Assistant Examiner—R. Barkai
Attorney, Agent, or Firm—Sughrue, Mion, Zinn,
Macpeak & Seas

[57] CLAIM

The ornamental design for a toy vehicle, as shown.

DESCRIPTION

FIG. 1 is a front, top and right side perspective view of a toy vehicle showing my new design;
FIG. 2 is a front elevational view thereof;
FIG. 3 is a rear elevational view thereof;
FIG. 4 is a left side elevational view thereof;
FIG. 5 is a right side elevational view thereof;
FIG. 6 is a top plan view thereof; and,
FIG. 7 is a bottom plan view thereof.

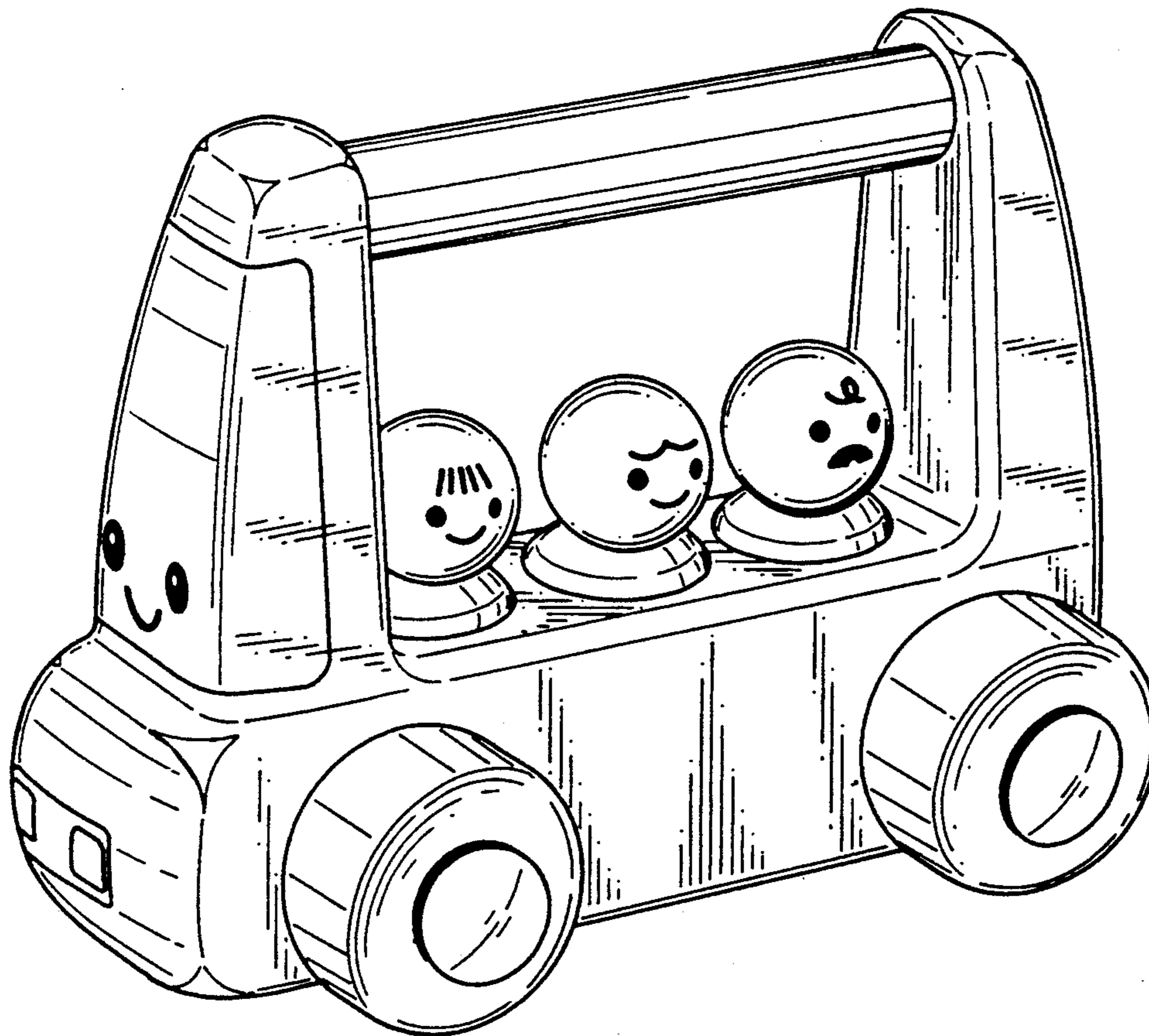


Fig. 1

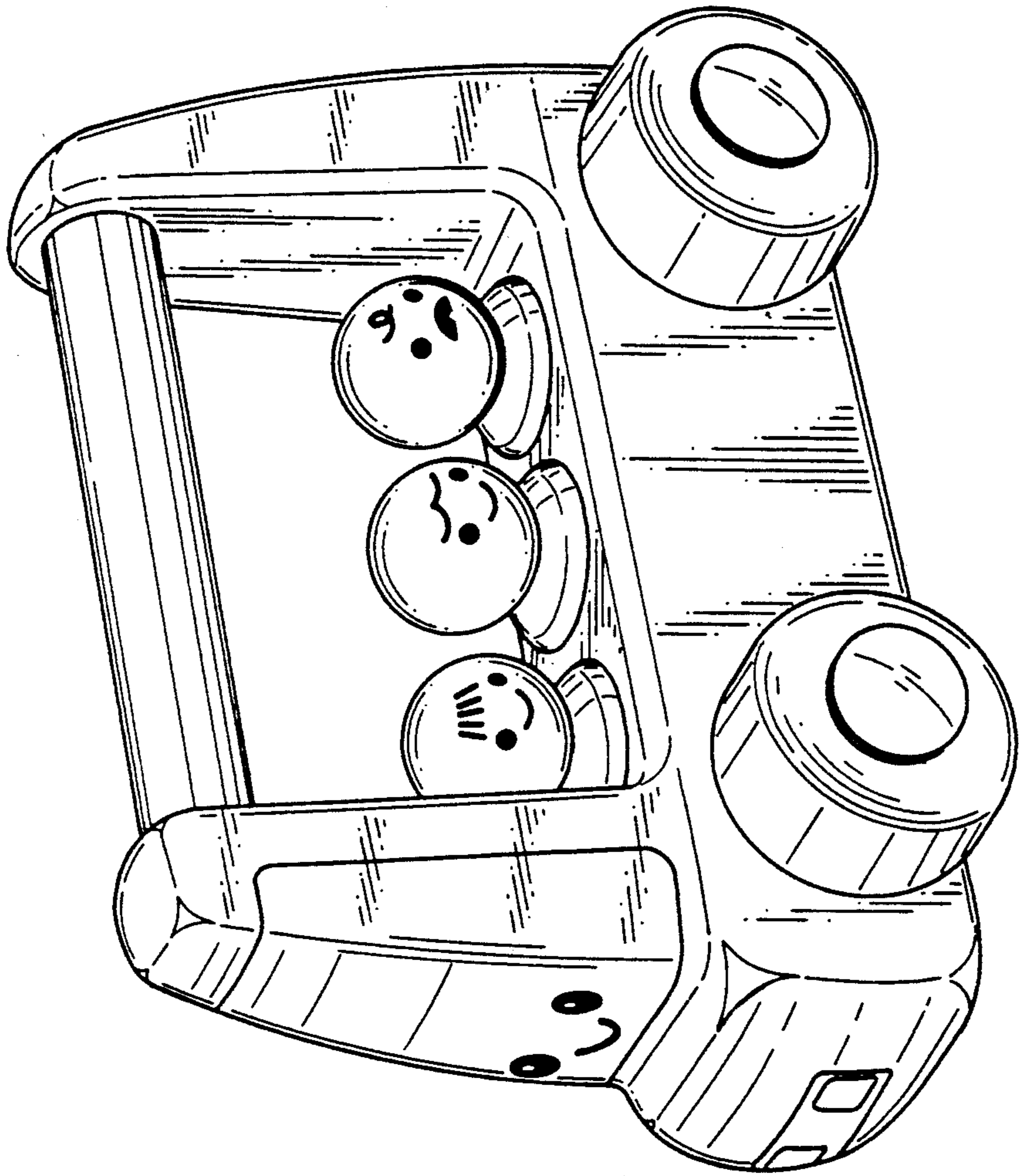


Fig. 3

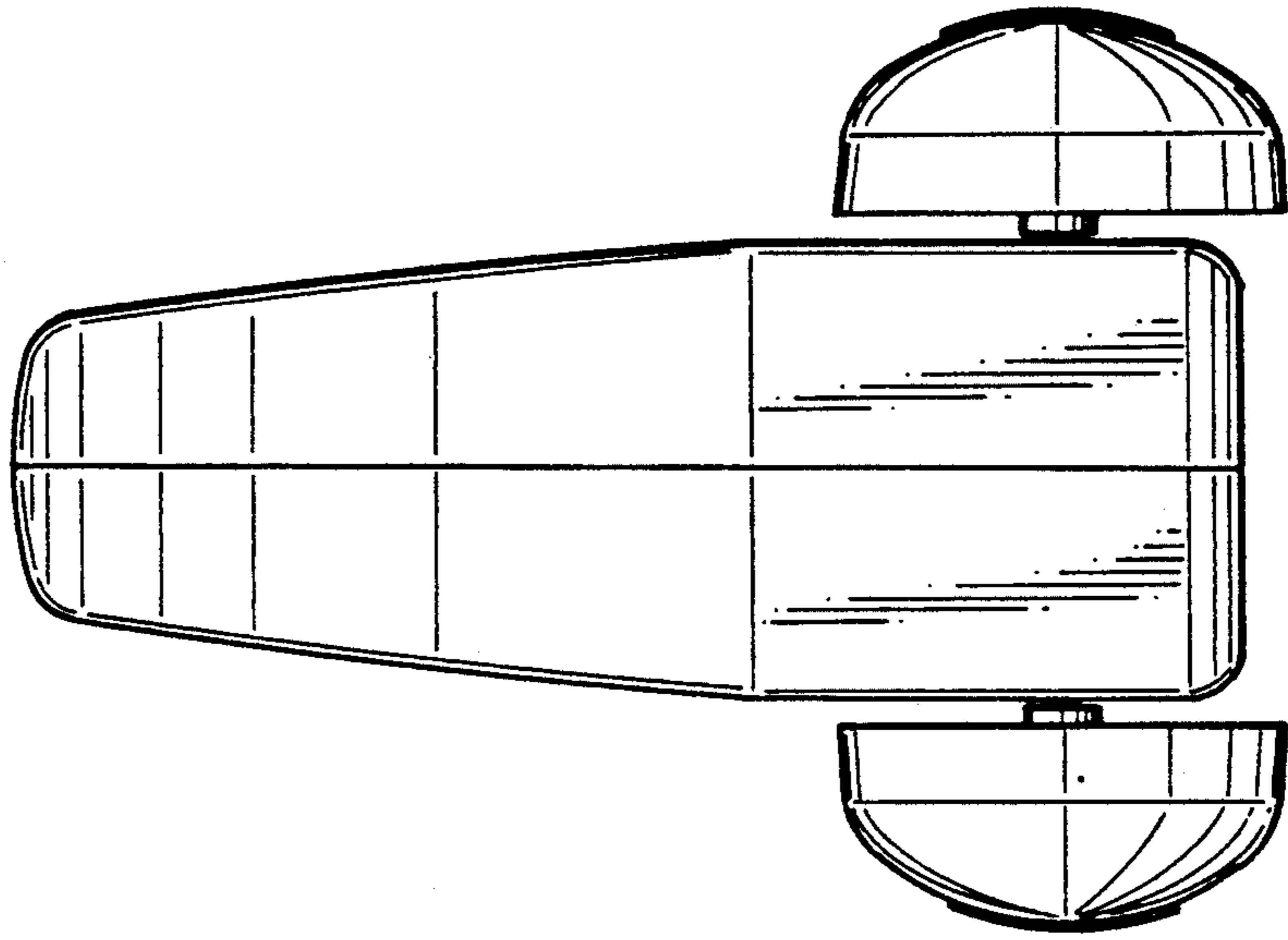


Fig. 2

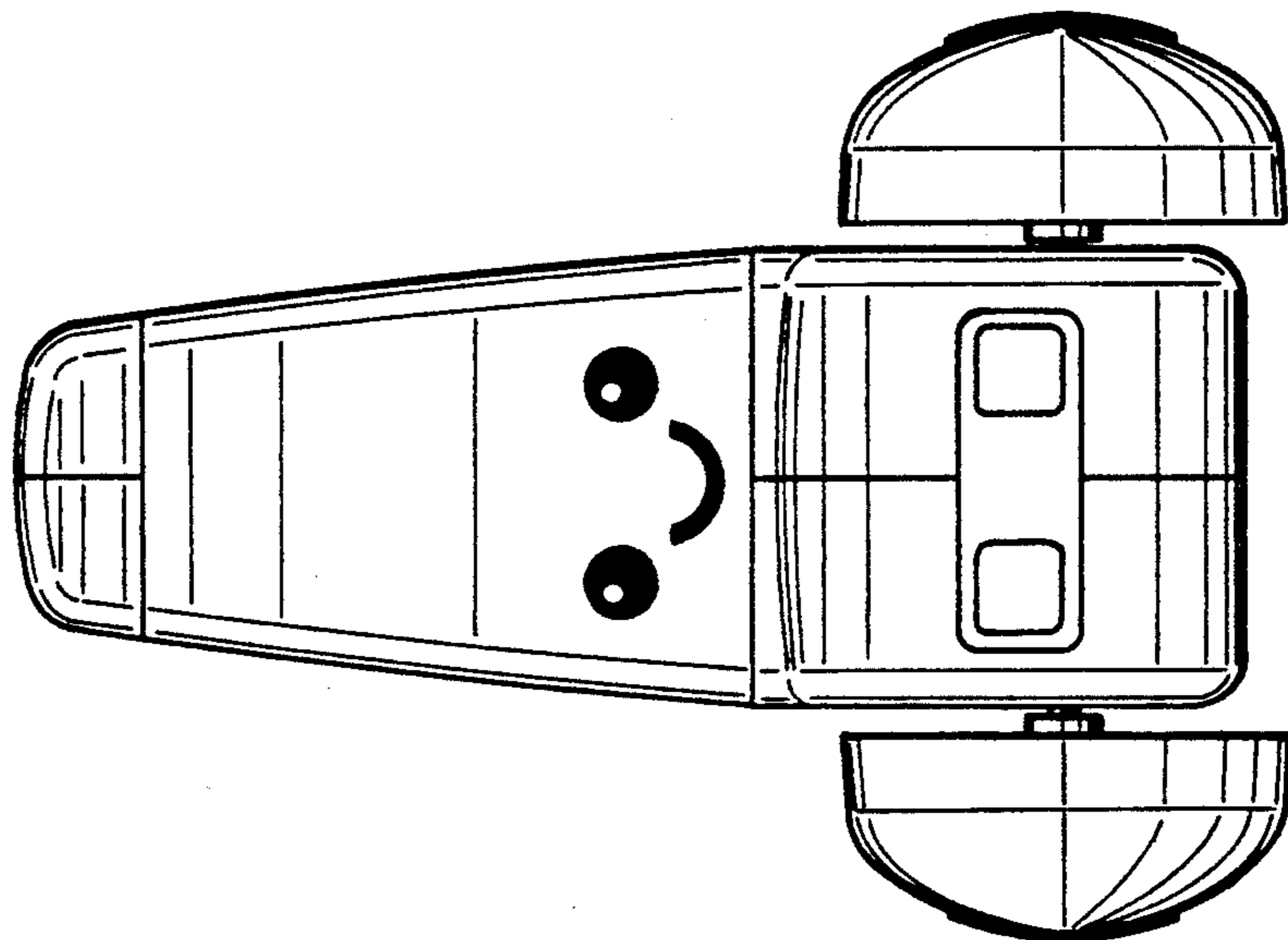


Fig. 4

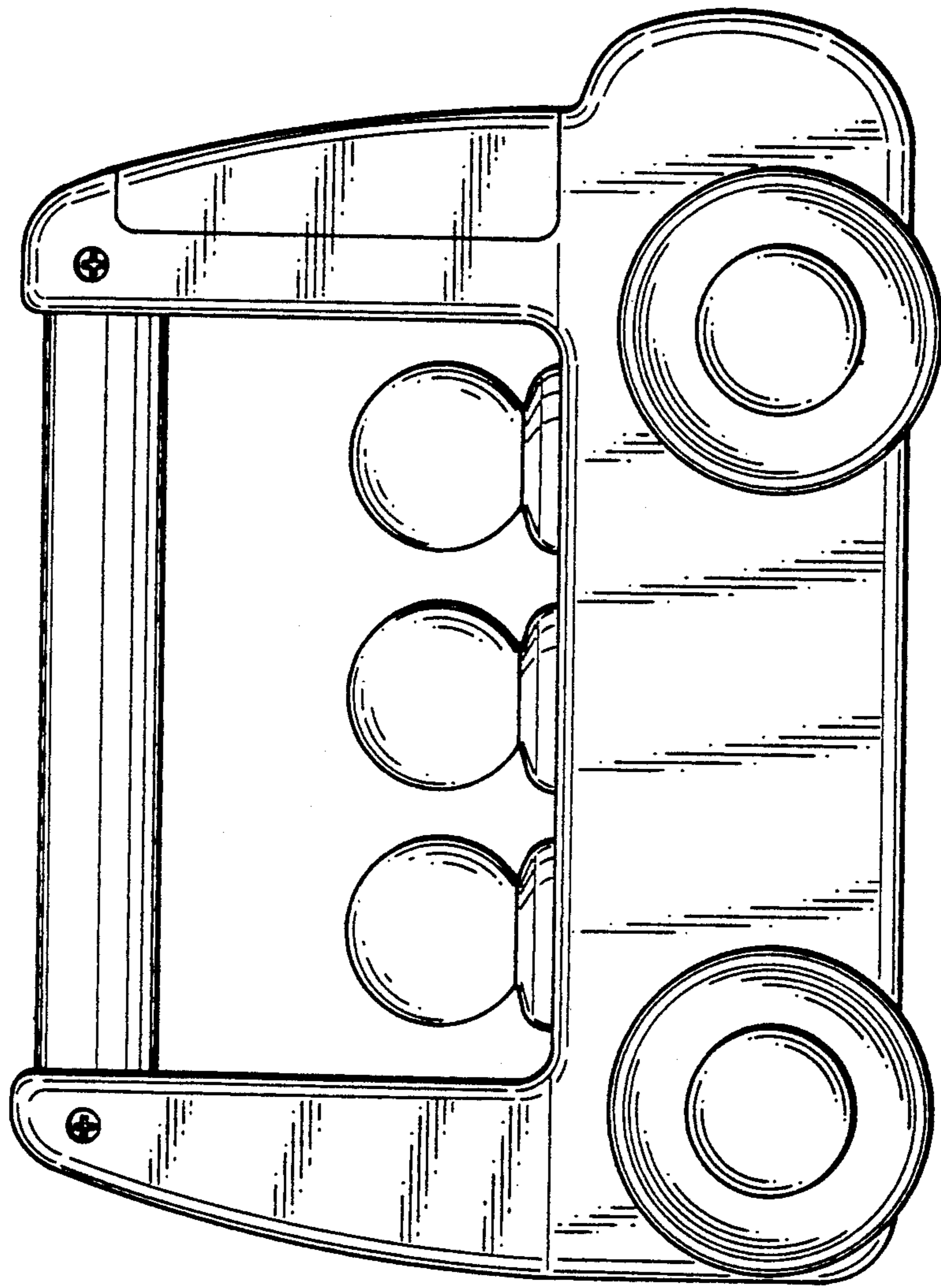


Fig. 5

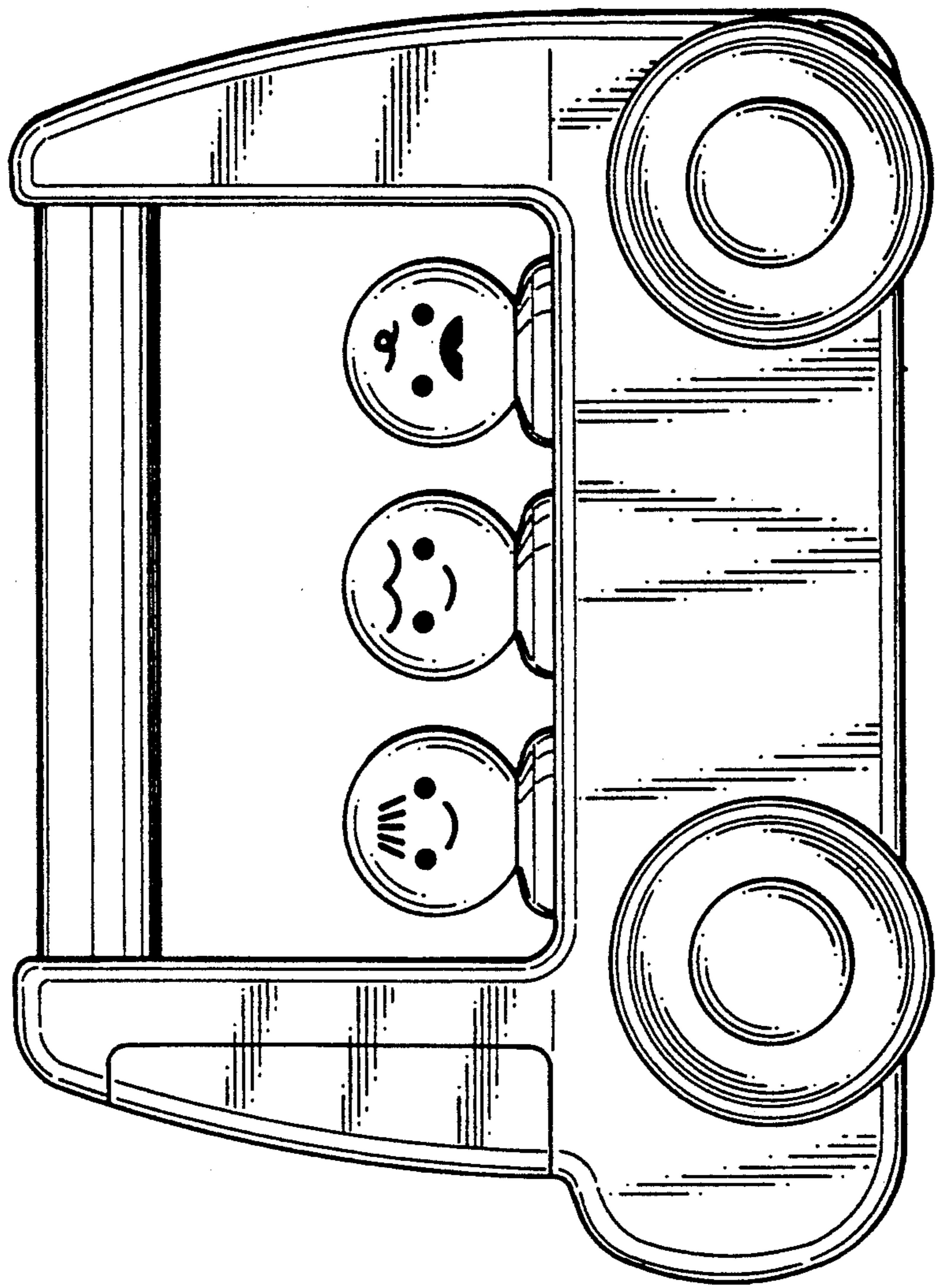


Fig. 6

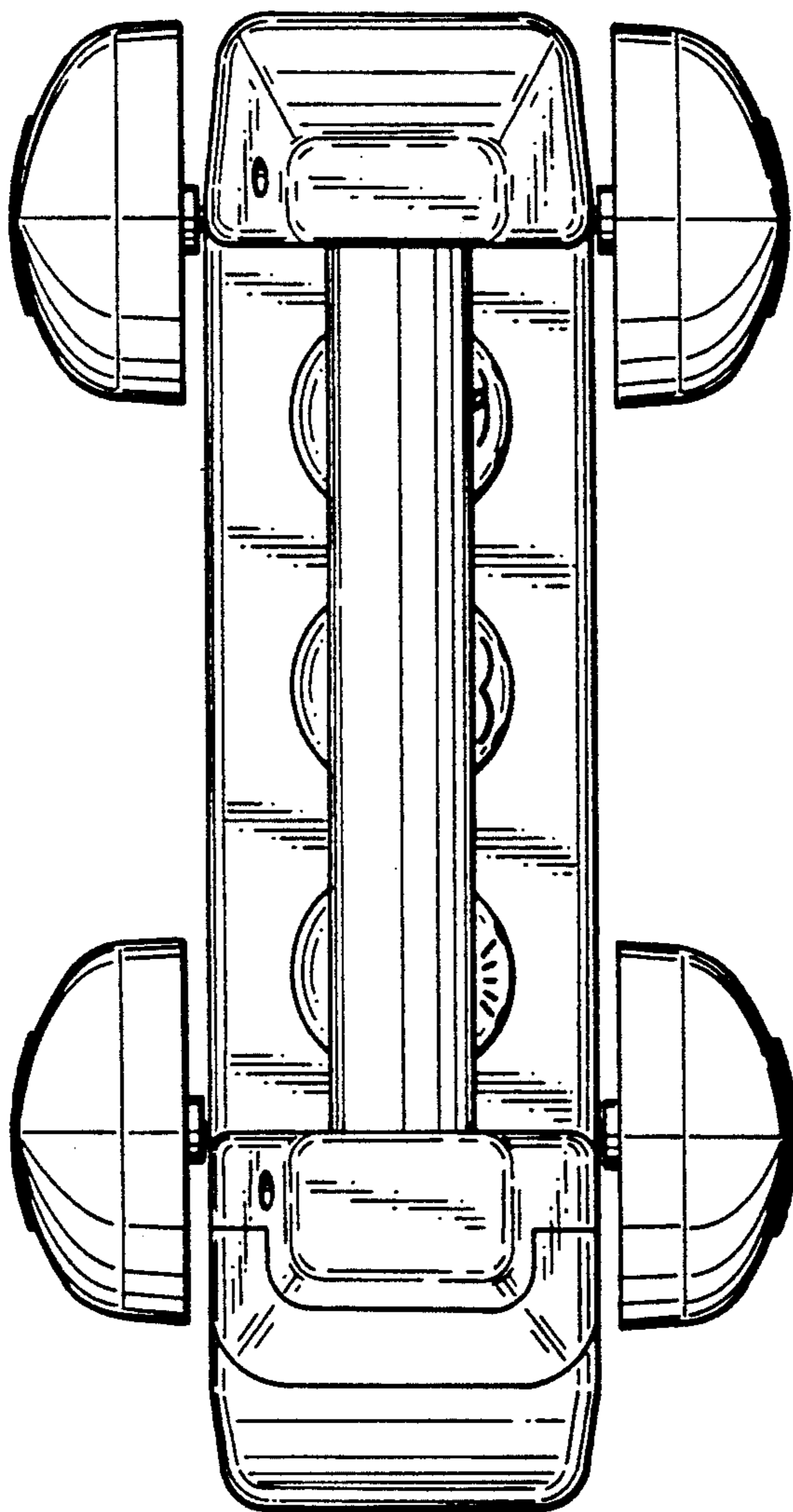


Fig. 7

