



US00D335509S

United States Patent [19]

[11] Patent Number: **Des. 335,509**

Friend

[45] Date of Patent: **** May 11, 1993**

[54] WIND-OPERATED TOY OARSMAN

[76] Inventor: **John H. Friend**, 10200 Arno Rd., Galt, Calif. 95632

[**] Term: **14 Years**

[21] Appl. No.: **456,246**

[22] Filed: **Dec. 26, 1989**

[52] U.S. Cl. **D21/93**

[58] Field of Search D21/93, 119, 59, 90, D21/87, 150, 173; D10/59; 446/216, 217, 88, 90, 94, 71

[56] **References Cited**

U.S. PATENT DOCUMENTS

D. 52,252 8/1918 Kibble D10/59

D. 212,701 11/1968 Cefalde D21/93
1,377,008 5/1921 Dunkelberger D21/93
1,693,057 11/1928 Scott D21/93

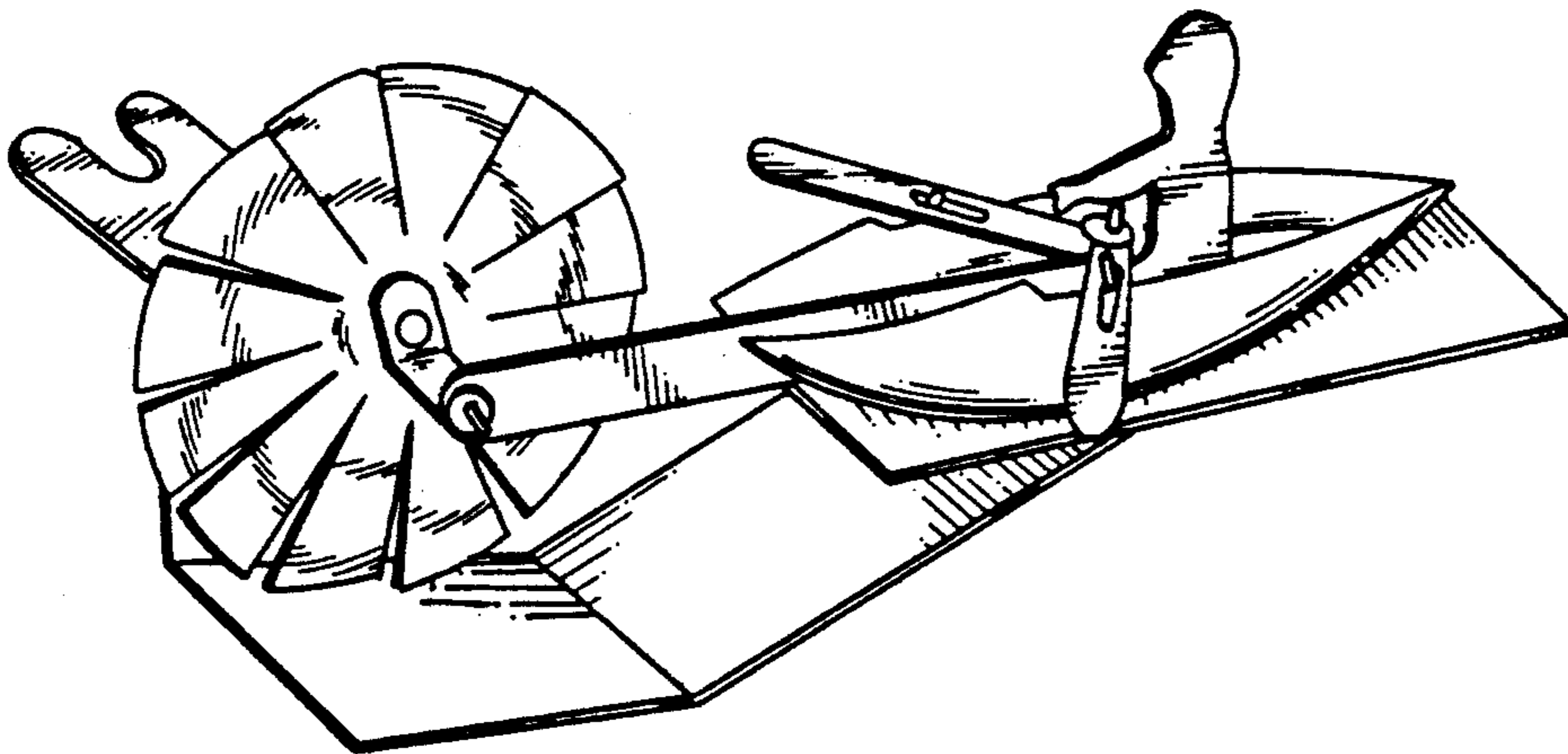
Primary Examiner—Charles A. Rademaker
Attorney, Agent, or Firm—Basil Travis

[57] **CLAIM**

The ornamental design for a wind-operated toy oarsman, as shown and described.

DESCRIPTION

FIG. 1 is a front perspective view of the wind-operated toy oarsman showing my new design;
FIG. 2 is a rear perspective view;
FIG. 3 is a top plan view;
FIG. 4 is a bottom plan view;
FIG. 5 is a right end elevational view thereof; and,
FIG. 6 is a left end elevational view thereof.



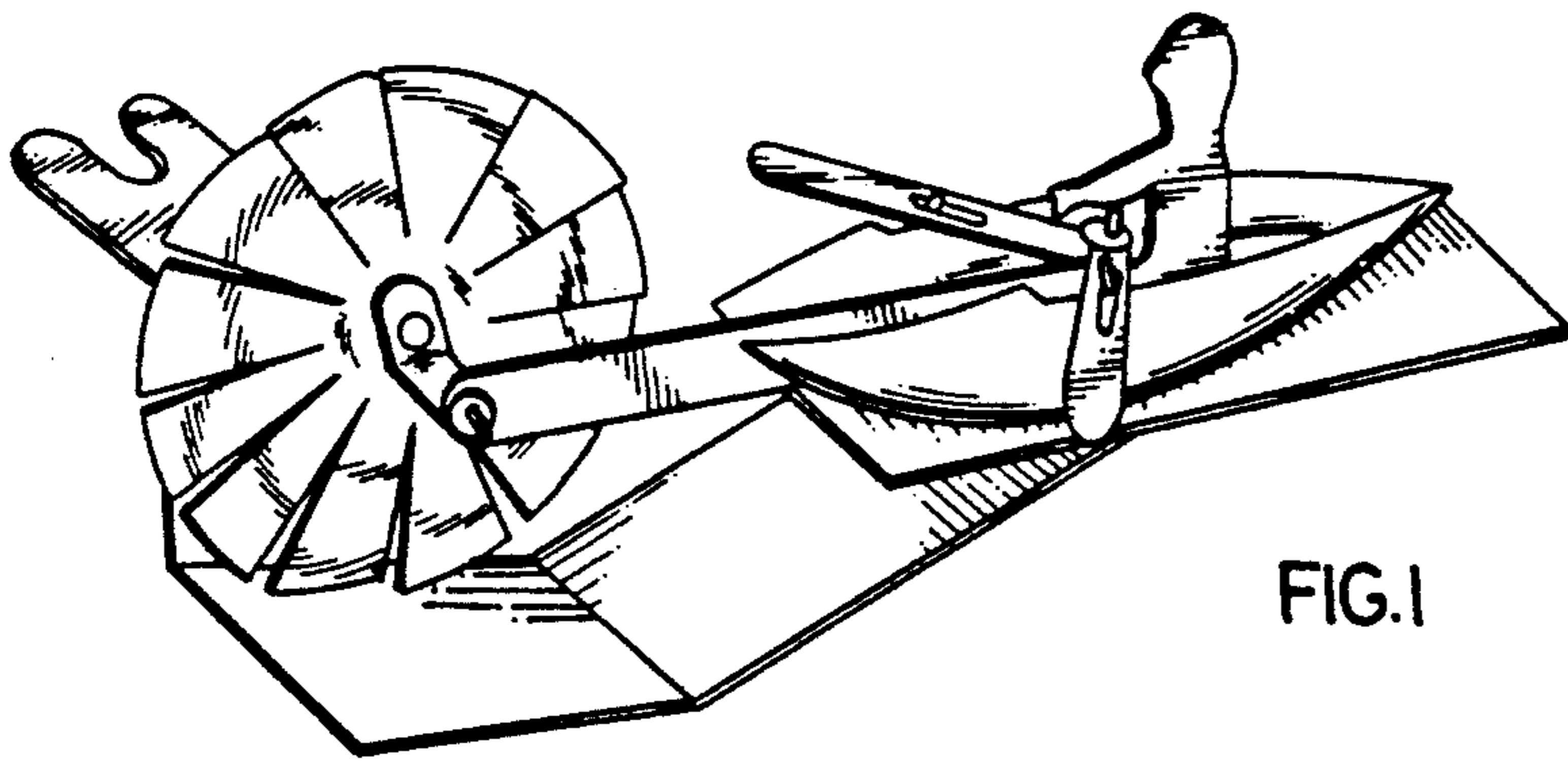


FIG. 1

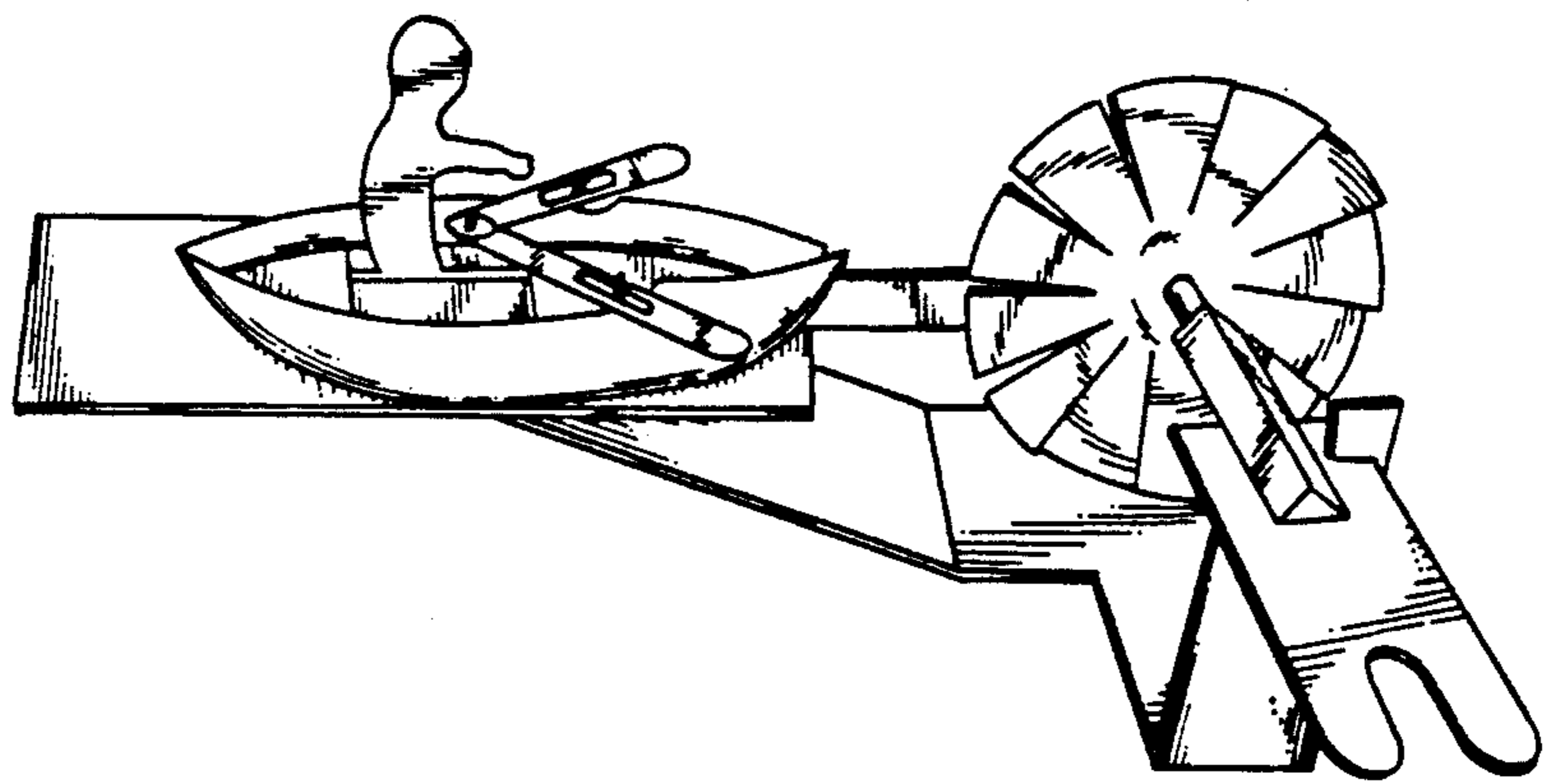


FIG. 2

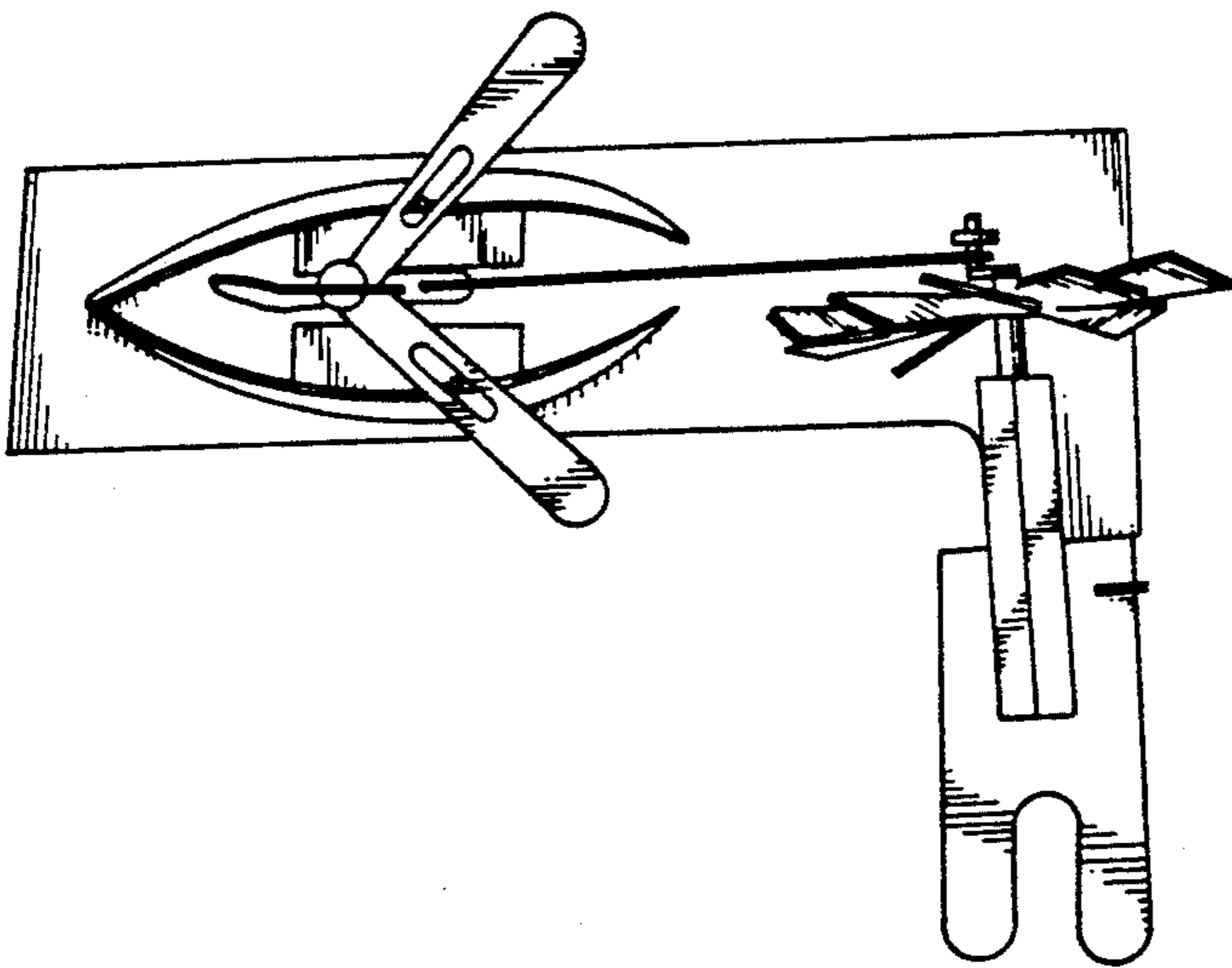


FIG. 3

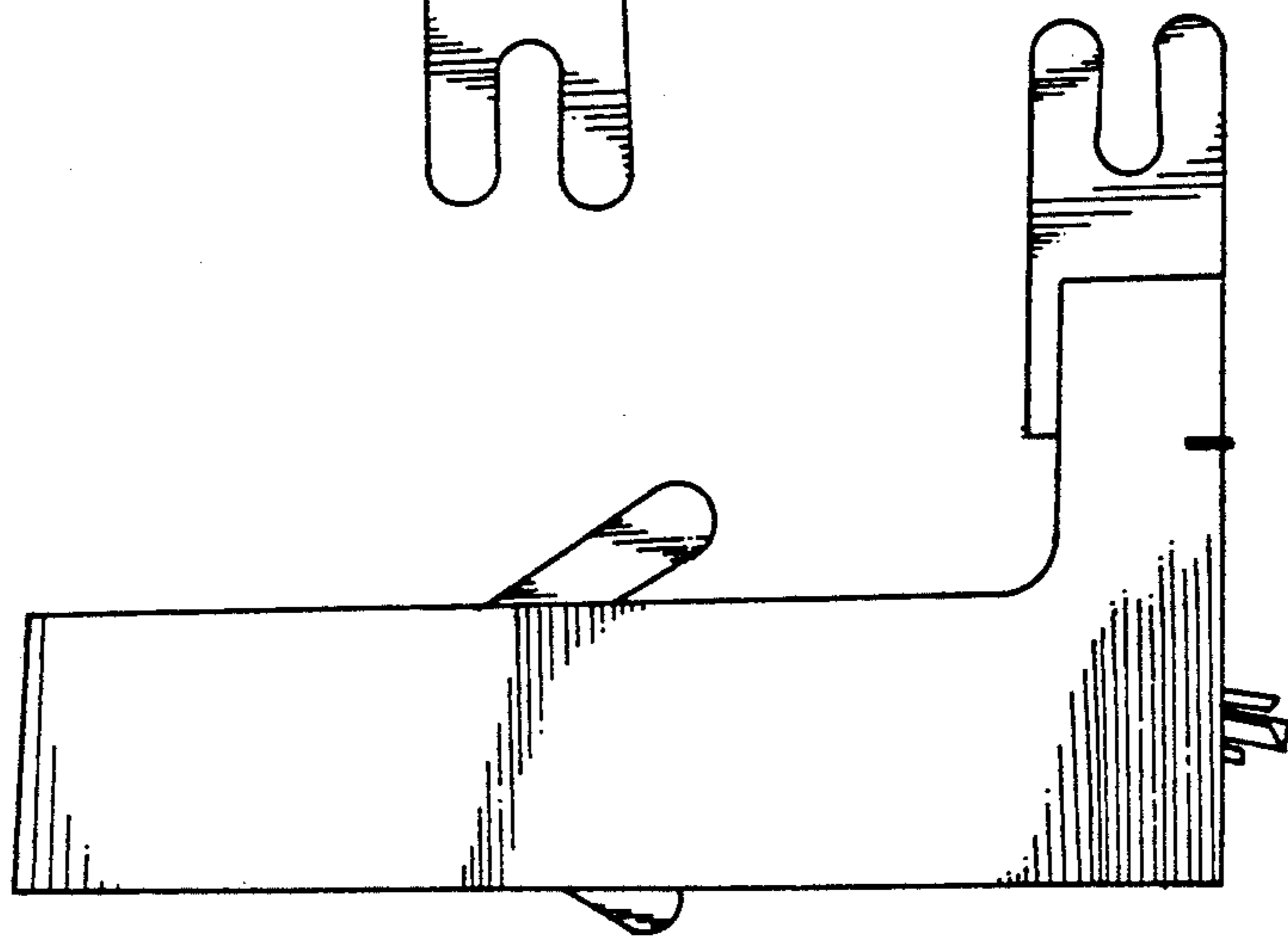


FIG. 4

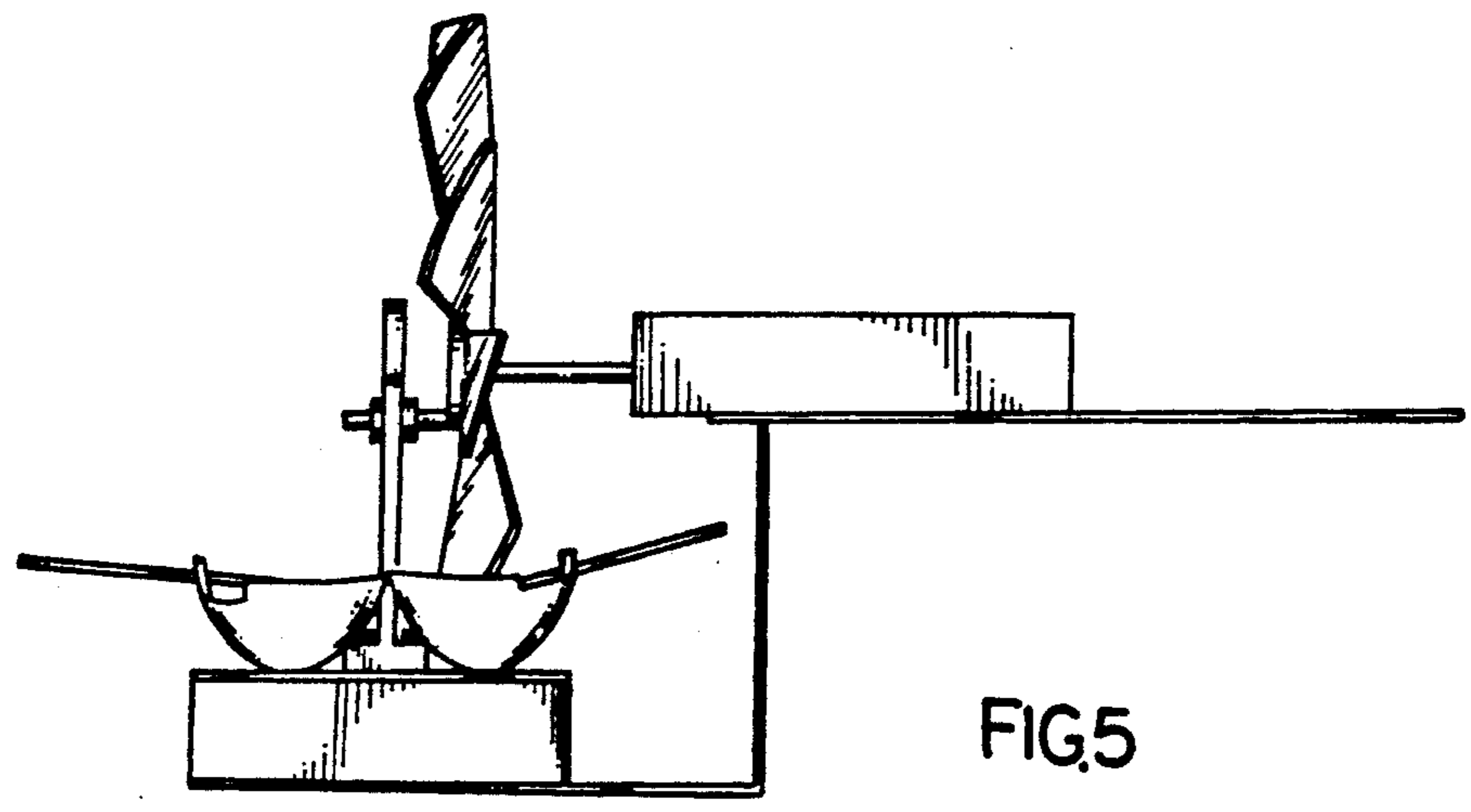


FIG. 6

