



US00D335506S

# United States Patent [19]

[11] Patent Number: **Des. 335,506**

Tacke et al.

[45] Date of Patent: **\*\* May 11, 1993**

[54] **BINOCULAR VENDING MACHINE HOUSING**

[75] Inventors: **David J. Tacke**, Polson, Mont.; **Leslie Perhacs**, Fallbrook, Calif.

[73] Assignee: **Binoptic International Systems Incorporated**, Polson, Mont.

[\*\*] Term: **14 Years**

[21] Appl. No.: **762,642**

[22] Filed: **Sep. 20, 1991**

### Related U.S. Application Data

[63] Continuation of Ser. No. 649,220, Jan. 25, 1991, abandoned, and a continuation of Ser. No. 340,017, Apr. 18, 1989, abandoned.

[52] U.S. Cl. .... **D20/1**

[58] Field of Search ..... **D20/1; D16/133; D3/33, D3/34; D6/552, 512, 513, 559, 567, 573; 194/253, 291, 351; 224/909, 908; 206/316.1, 316.2, 316.3**

[56] **References Cited**

#### U.S. PATENT DOCUMENTS

- D. 184,881 4/1959 Maguire .
- D. 188,704 8/1960 Maguire .
- D. 198,402 6/1964 Maguire .
- D. 198,590 7/1964 Maguire .
- D. 222,563 11/1971 Maguire .
- D. 247,066 1/1978 Tomatsuri ..... D3/33
- D. 271,540 11/1983 Williams ..... D3/33
- 403,200 4/1889 Leavitt .
- 405,659 6/1889 Colby .
- 440,248 11/1890 Costello ..... 194/291 X
- 442,686 12/1890 Patterson ..... 194/351 X
- 1,295,043 2/1919 Lattig .
- 1,632,377 6/1927 Johnson .
- 1,711,271 4/1929 Lorentzen .
- 2,531,236 11/1950 Snell et al. .
- 2,783,937 3/1959 Hudson .
- 2,905,227 9/1959 Baer, Sr. .
- 2,907,363 10/1959 Valette ..... 206/316.2
- 2,918,158 12/1959 Shlank .
- 2,992,771 7/1961 McClung .
- 3,107,847 10/1963 Laviana .
- 3,133,618 5/1964 Taylor .
- 3,171,020 2/1965 Lord .
- 3,330,394 7/1967 Koch .
- 3,440,606 4/1969 Bayha .
- 3,531,177 9/1970 Akin, Jr. .
- 3,642,345 2/1972 Akin, Jr. et al. .
- 3,744,872 7/1973 Akin, Jr. et al. .

- 3,926,291 12/1975 Burket et al. .
- 3,938,733 2/1976 Weber et al. .
- 4,006,342 2/1977 Baumann et al. .
- 4,142,566 3/1979 Stolp ..... D3/33
- 4,185,730 1/1980 Roes et al. .
- 4,213,467 7/1980 Stulen et al. .
- 4,319,674 3/1982 Riggs et al. .
- 4,335,604 6/1982 Ekman .
- 4,421,220 12/1983 Jaffe .
- 4,509,632 4/1985 Jaffe .
- 4,518,919 5/1985 Ishida .
- 4,556,250 12/1985 Chapman et al. .
- 4,607,881 8/1986 Merrick .
- 4,616,491 10/1986 Genest .
- 4,627,251 12/1986 Bhate .
- 4,660,715 4/1987 Anastos ..... D6/559 X
- 4,662,197 5/1987 Tietz et al. .
- 4,665,726 5/1987 Prunbauer et al. .
- 4,674,618 6/1987 Eglise et al. .
- 4,790,432 12/1988 Rees .

#### FOREIGN PATENT DOCUMENTS

2018484 10/1979 United Kingdom .

#### OTHER PUBLICATIONS

The Sports Eye™ Systems Corp. brochure, title: Sports Eye™ Systems, Copyright Sports Eye™ Systems Corp., 1983.

*Primary Examiner*—A. Hugo Word  
*Assistant Examiner*—Paula Mortimer  
*Attorney, Agent, or Firm*—Merchant, Gould, Smith, Edell, Welter & Schmidt

[57] **CLAIM**

The ornamental design for a binocular vending machine housing, as shown and described.

#### DESCRIPTION

FIG. 1 is a front and left side perspective view of a binocular vending machine housing showing my new design, the broken line showing of a pavillion seat is for illustrative purposes only and forms no part of the claimed design;

FIG. 2 is a front elevational view thereof;

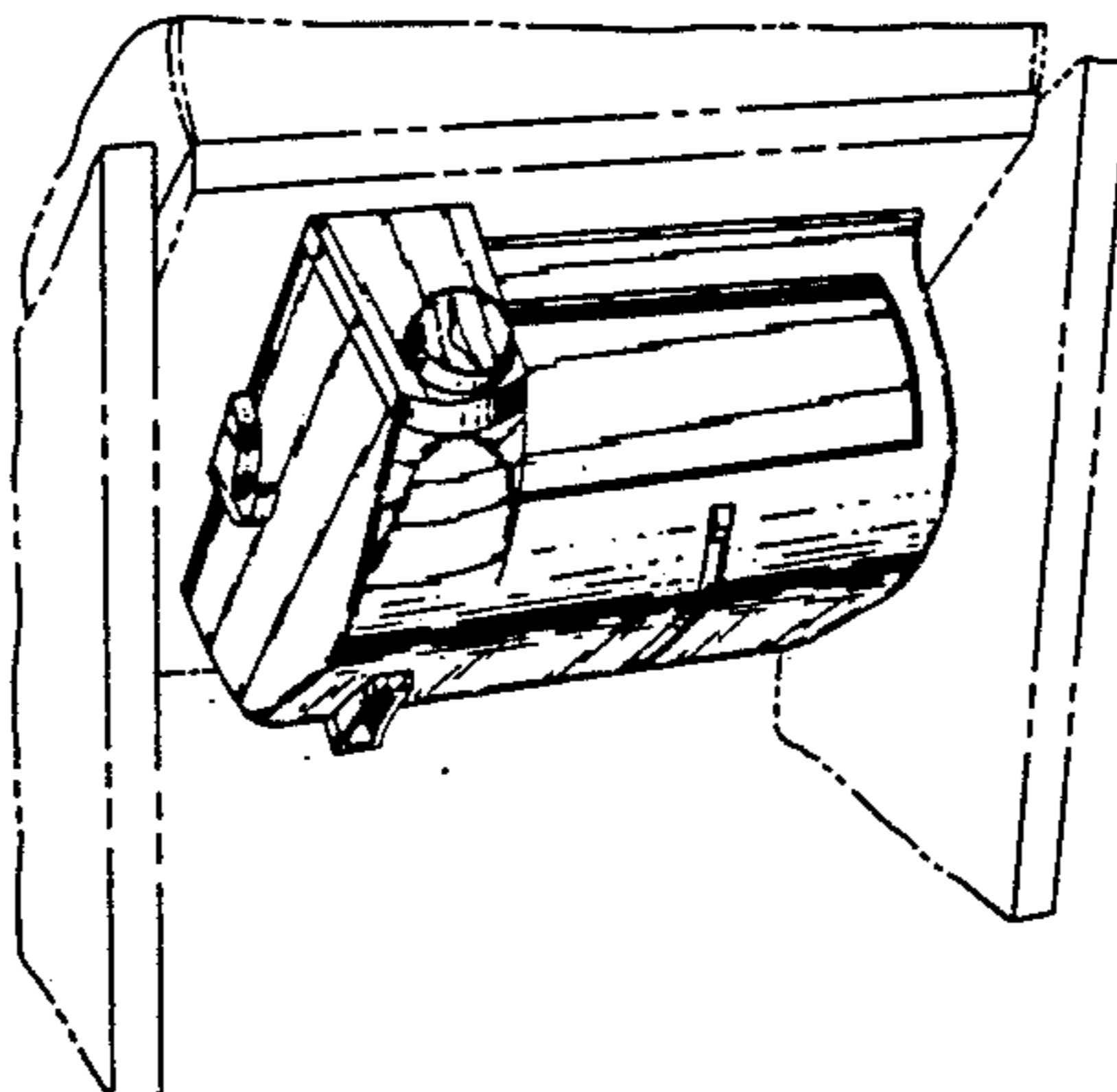
FIG. 3 is a rear elevational view thereof;

FIG. 4 is a right side elevational view thereof;

FIG. 5 is a left side elevational view thereof;

FIG. 6 is a top plan view thereof; and,

FIG. 7 is a bottom plan view of the binocular vending machine housing shown in FIG. 1.



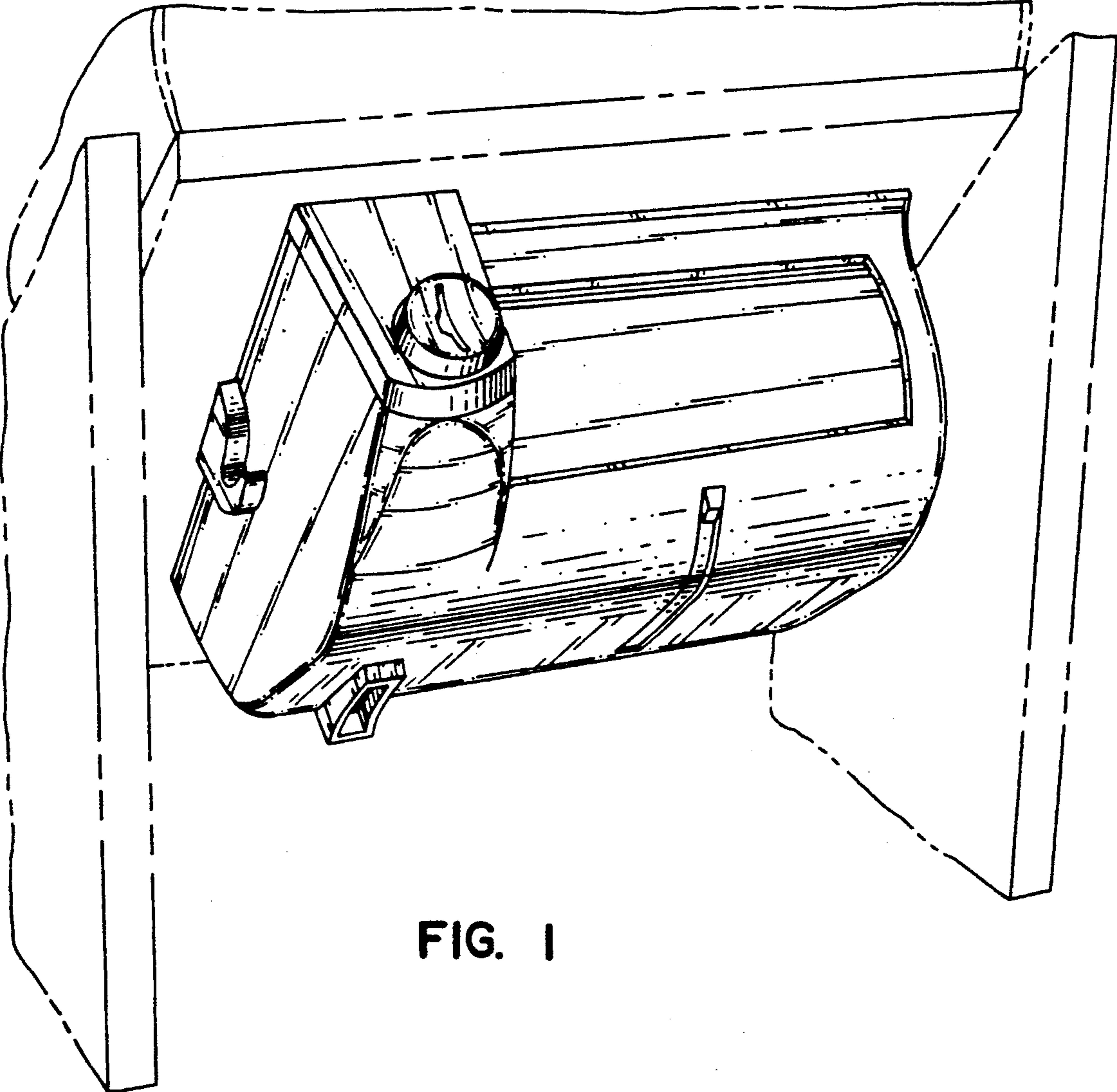


FIG. 1

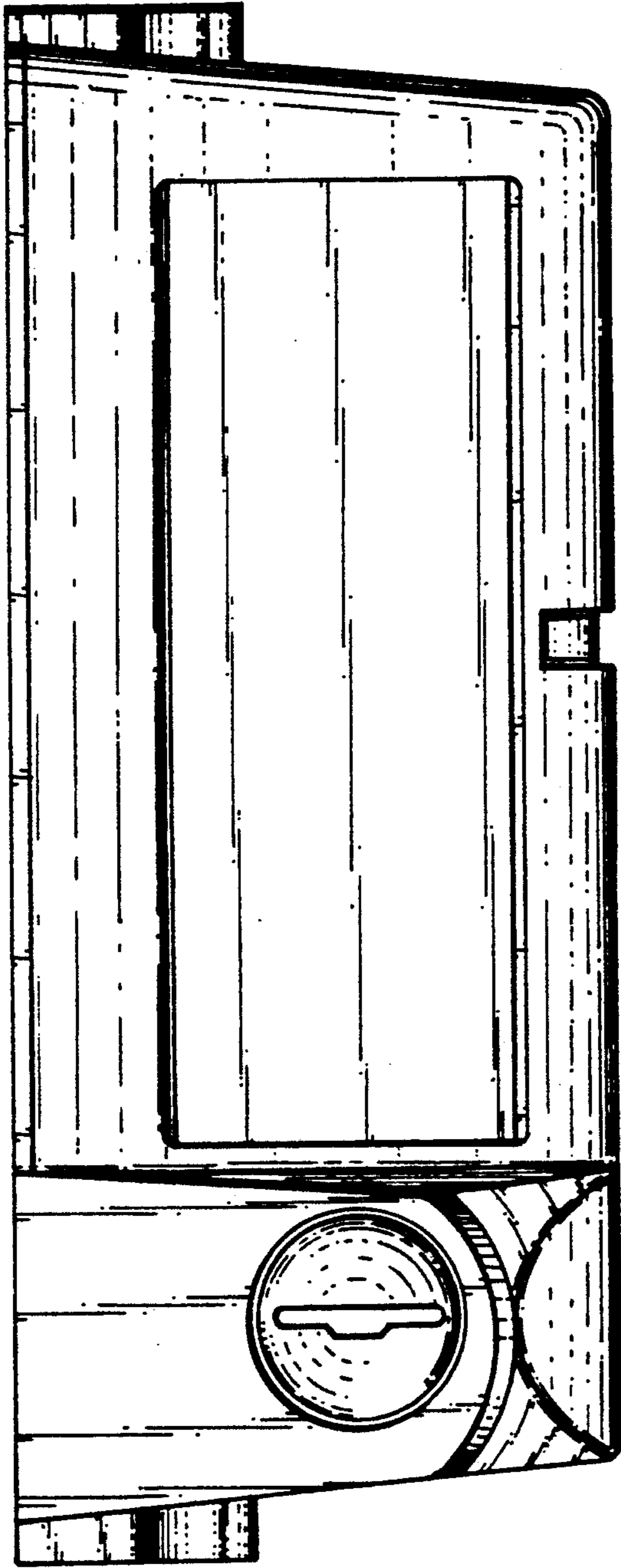


FIG. 2

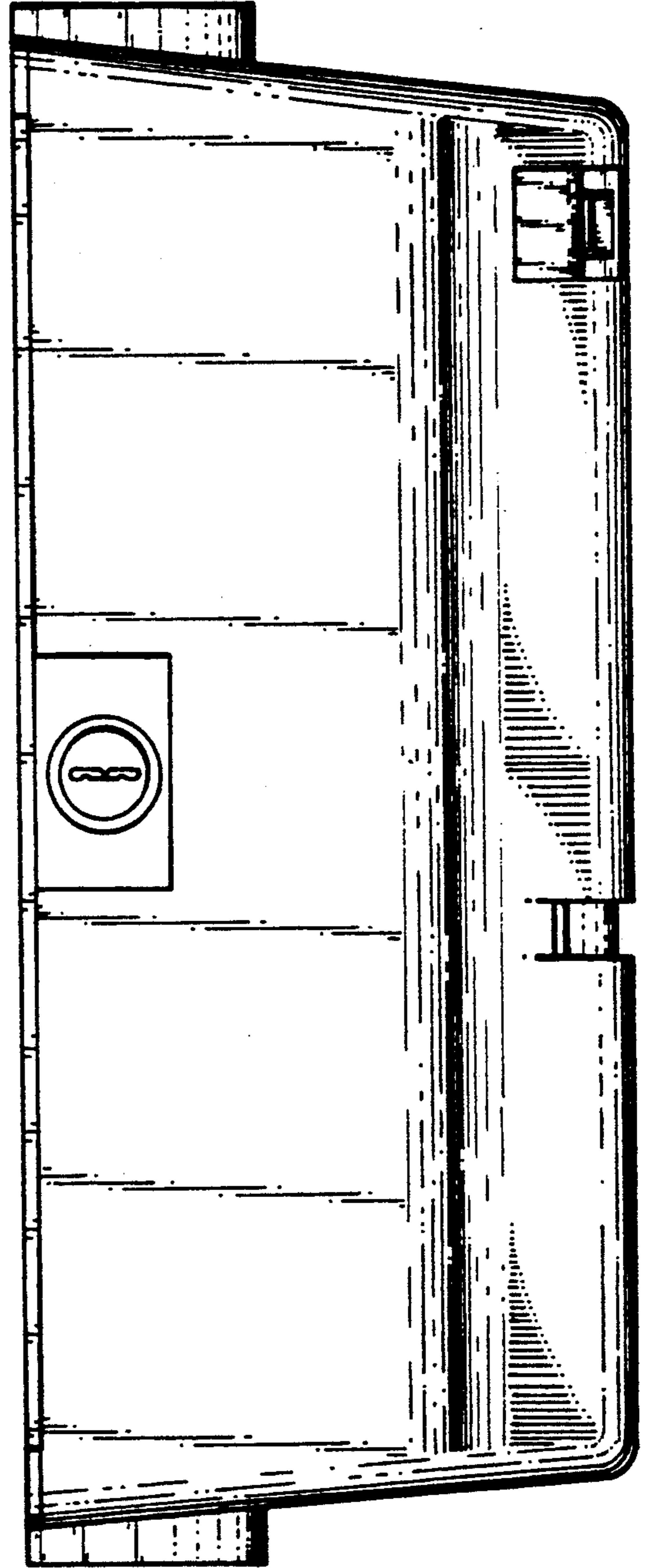


FIG. 3

FIG. 4

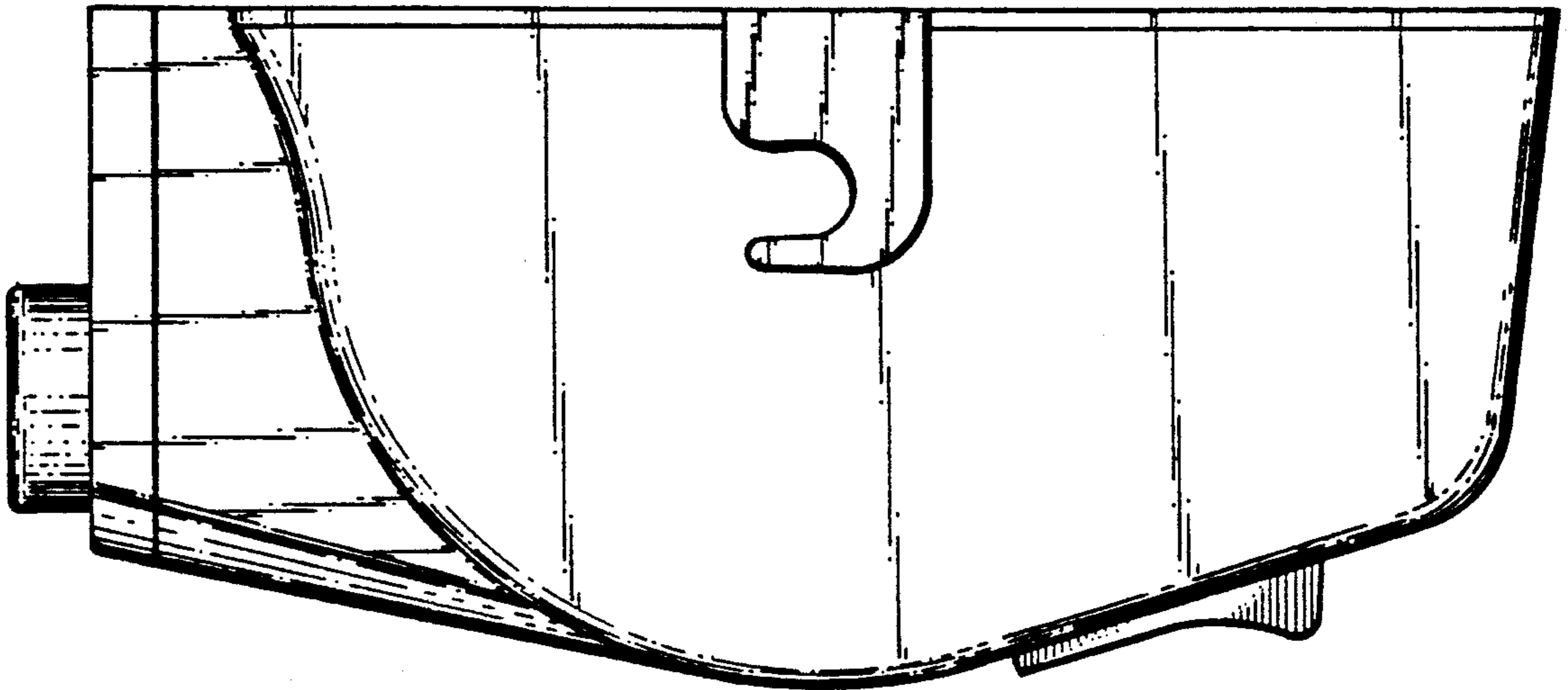
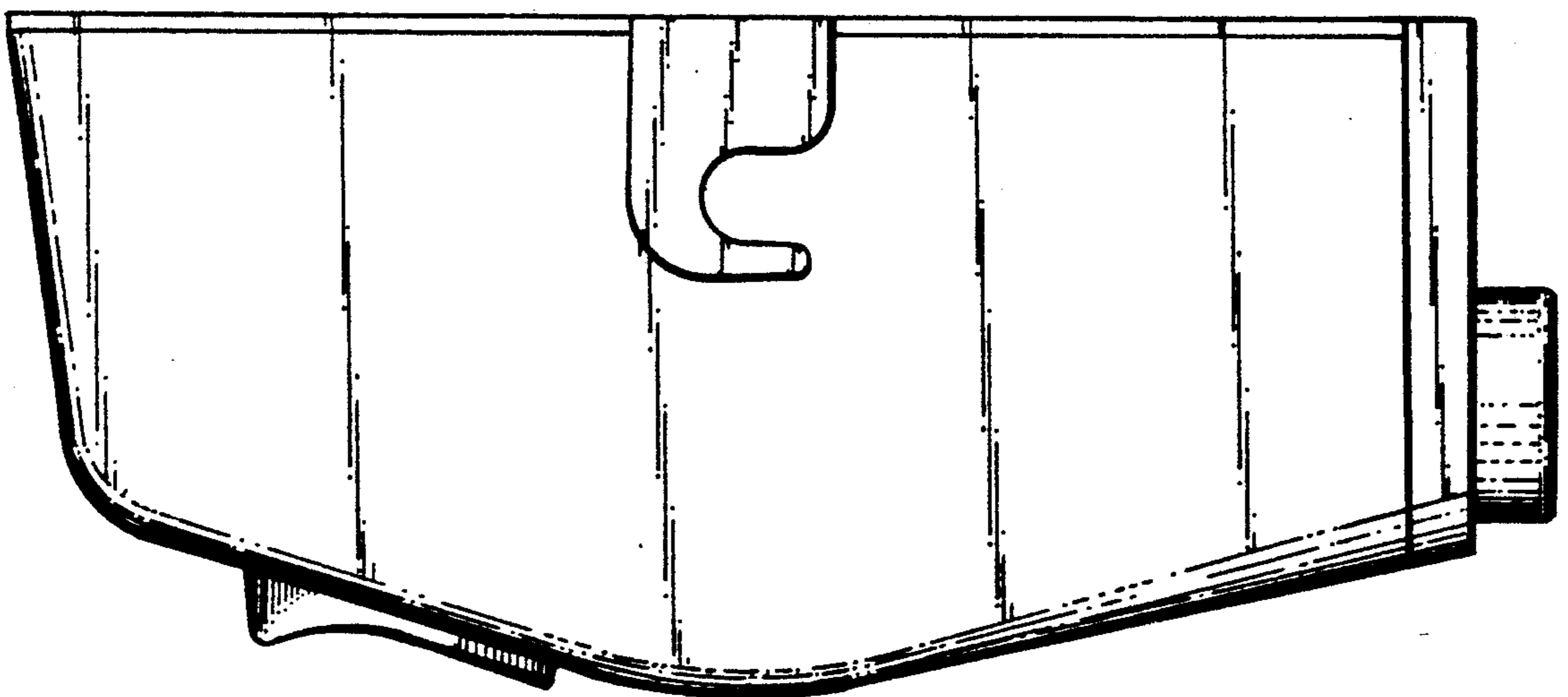


FIG. 5



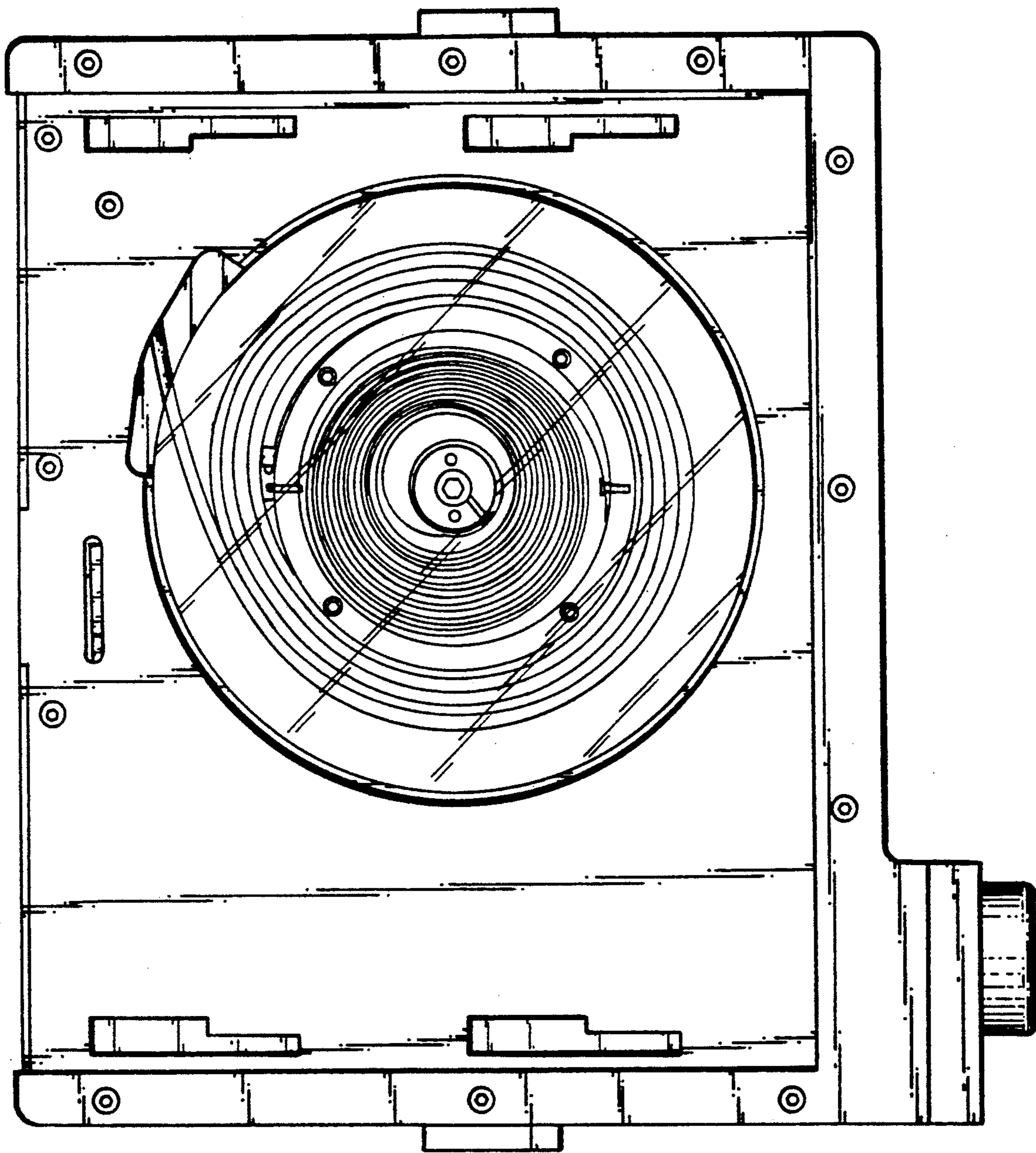


FIG. 6

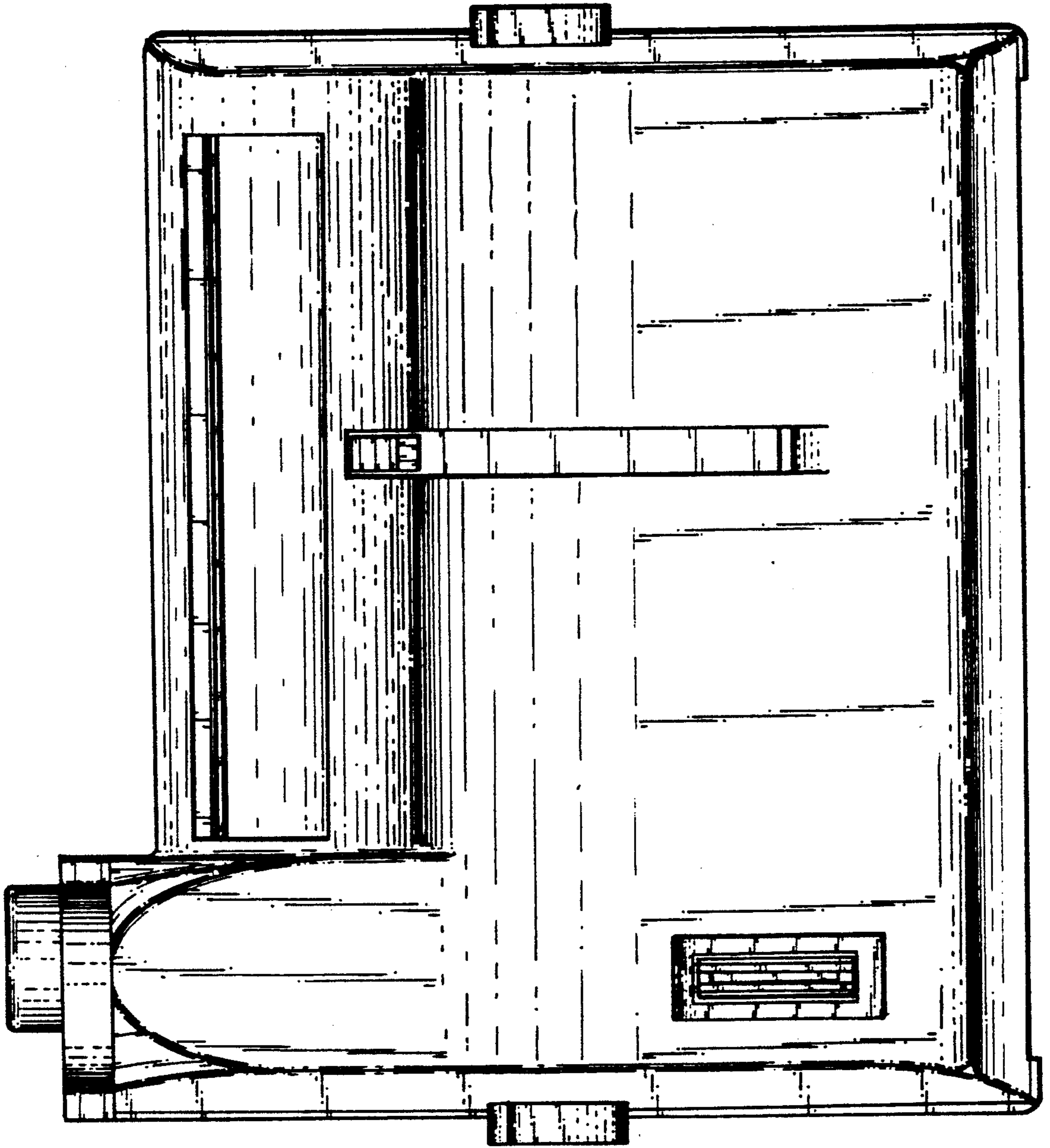


FIG. 7