



US00D335505S

United States Patent [19]

[11] Patent Number: **Des. 335,505**

Chan

[45] Date of Patent: **** May 11, 1993**

[54] **DESK TRAY**

[75] Inventor: **Eric P. Chan**, New York, N.Y.

[73] Assignee: **American Trading & Production Corporation**, Baltimore, Md.

[**] Term: **14 Years**

[21] Appl. No.: **814,282**

[22] Filed: **Dec. 26, 1991**

[52] U.S. Cl. **D19/92; D19/75; D19/86**

[58] Field of Search **D19/65, 75, 76, 78, D19/86, 91, 92, 95, 99, 100; 206/503, 555, 215, 557, 449; 211/10, 11, 13, 55, 126, 128**

[56] **References Cited**

U.S. PATENT DOCUMENTS

- D. 179,534 1/1957 Bullock et al. D19/92
- D. 259,428 6/1981 Macowski D19/92
- D. 260,907 9/1981 Giulie et al. D19/92

- D. 267,414 12/1982 Tyke D19/92
- D. 327,503 6/1992 Szablak et al. D19/92
- D. 328,103 7/1992 Ambasz D19/92
- 4,534,475 8/1985 Mayo 211/126

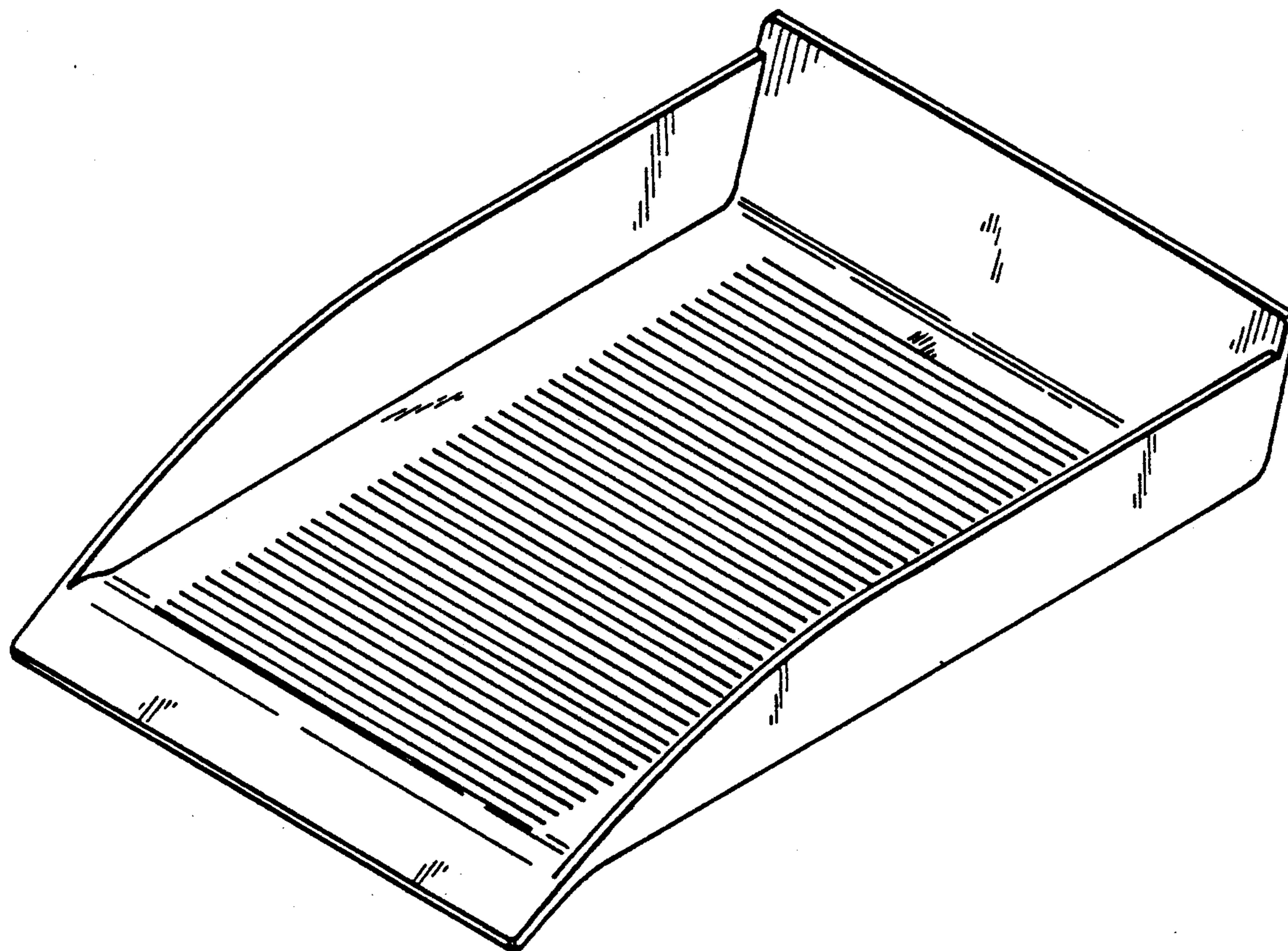
Primary Examiner—Nelson C. Holtje
Assistant Examiner—Martha Thompson
Attorney, Agent, or Firm—Cohn, Powell & Hind

[57] **CLAIM**

The ornamental design for a desk tray, as shown and described.

DESCRIPTION

FIG. 1 is an upper, front perspective view of a desk tray showing my new design;
FIG. 2 is a lower, rear perspective view thereof;
FIG. 3 is a top plan view thereof;
FIG. 4 is a right side elevational view thereof;
FIG. 5 is a left side elevational view thereof;
FIG. 6 is a front elevational view thereof;
FIG. 7 is a rear elevational view thereof; and,
FIG. 8 is a bottom plan view thereof.



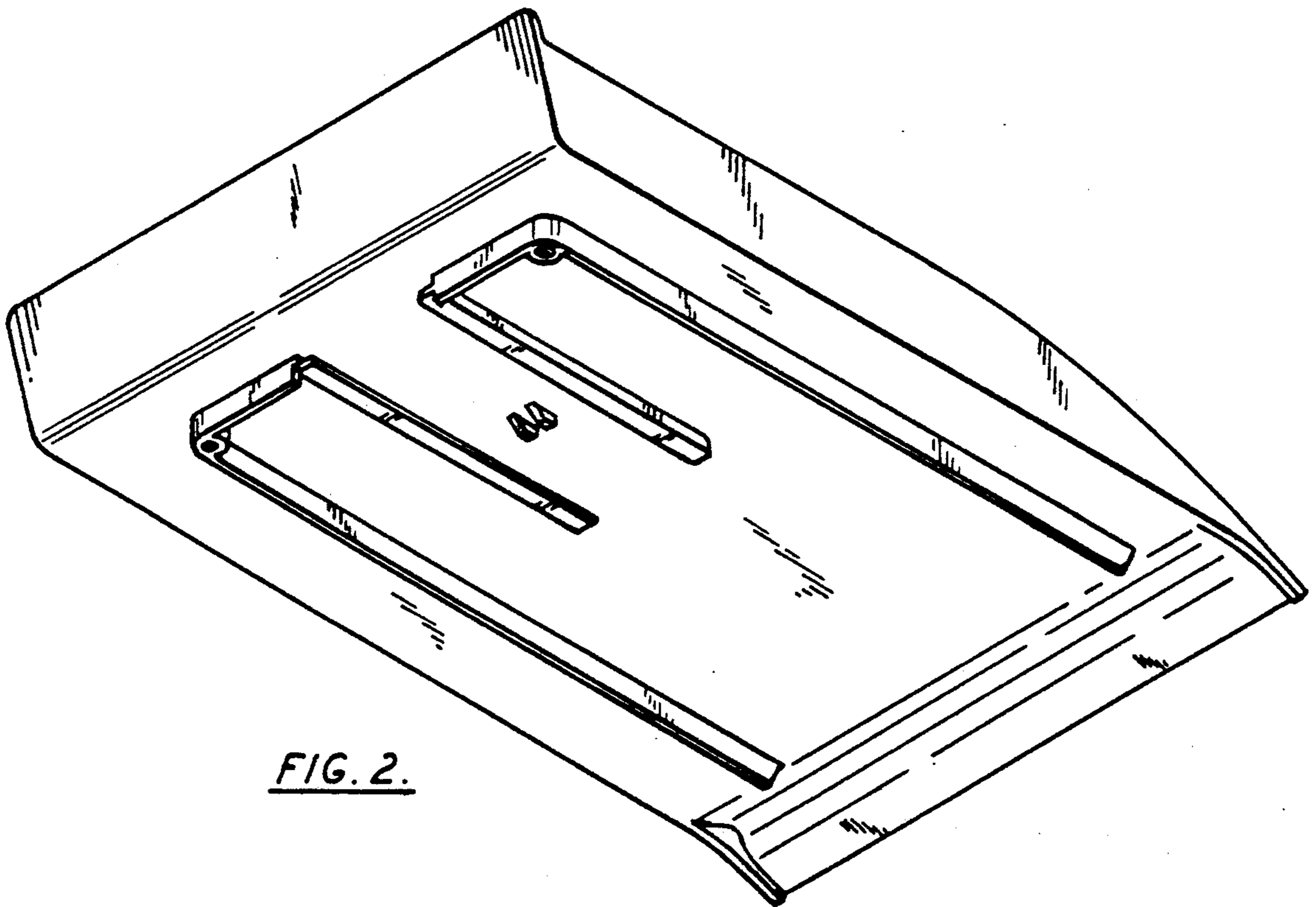
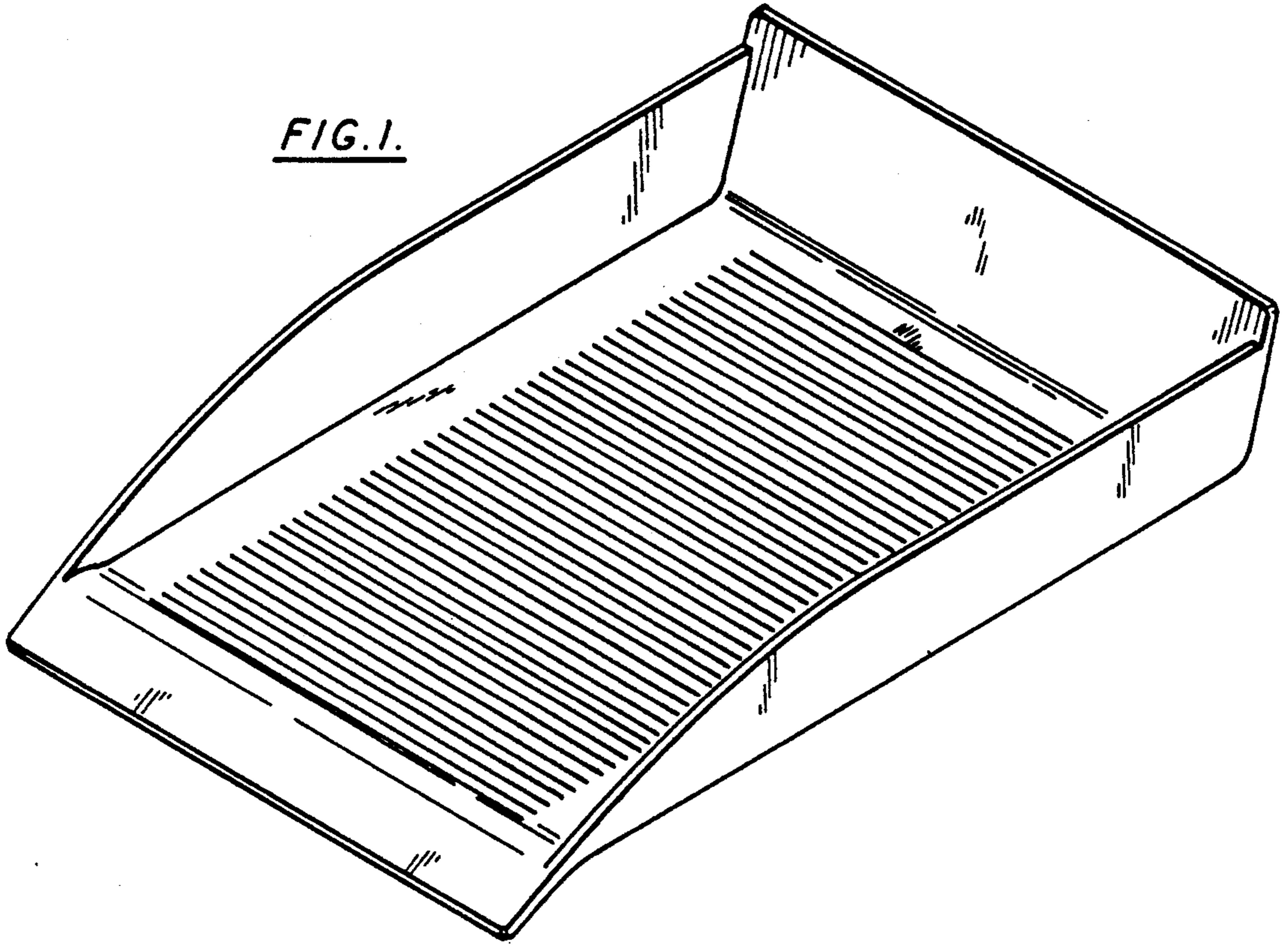


FIG. 3.

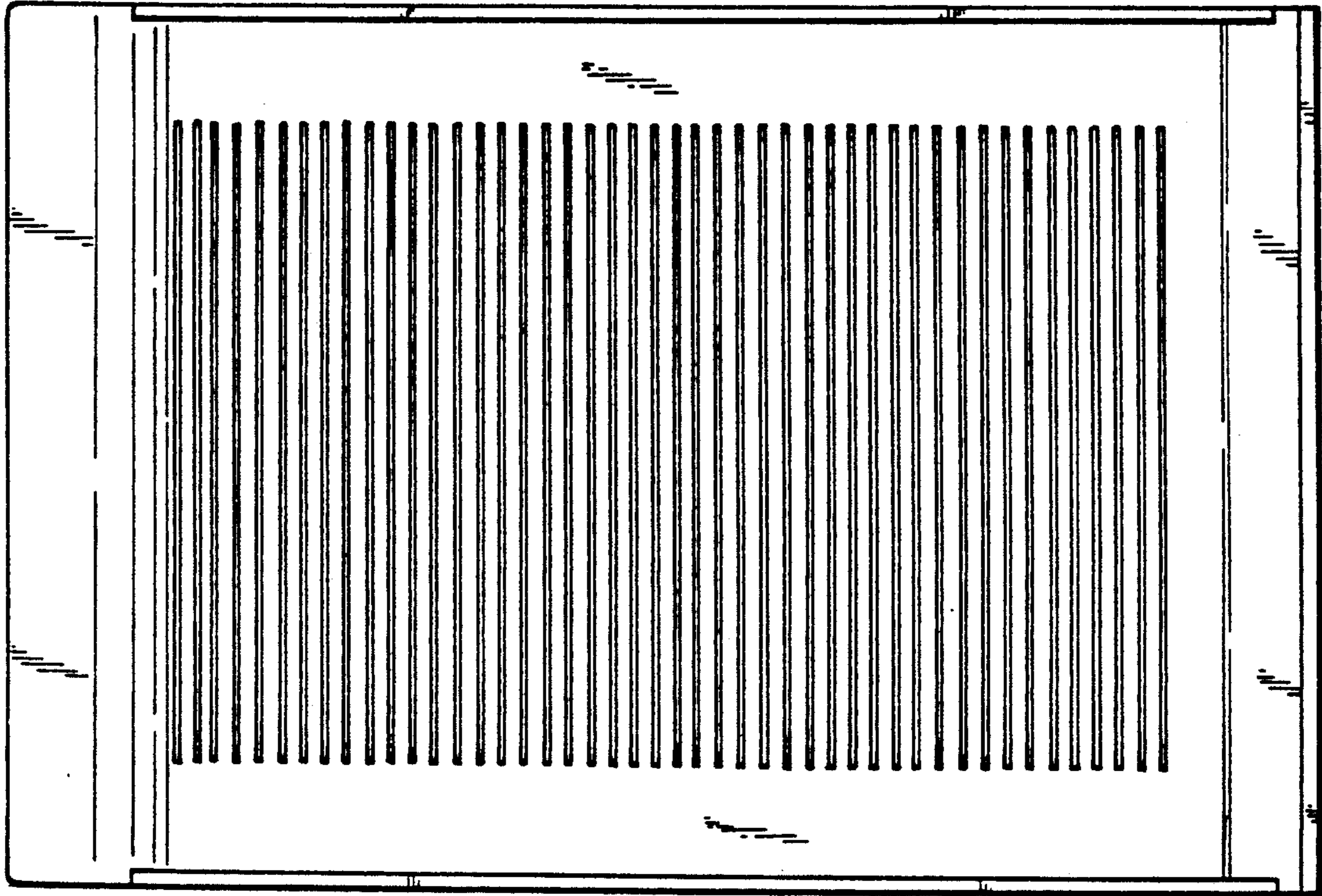


FIG. 4.

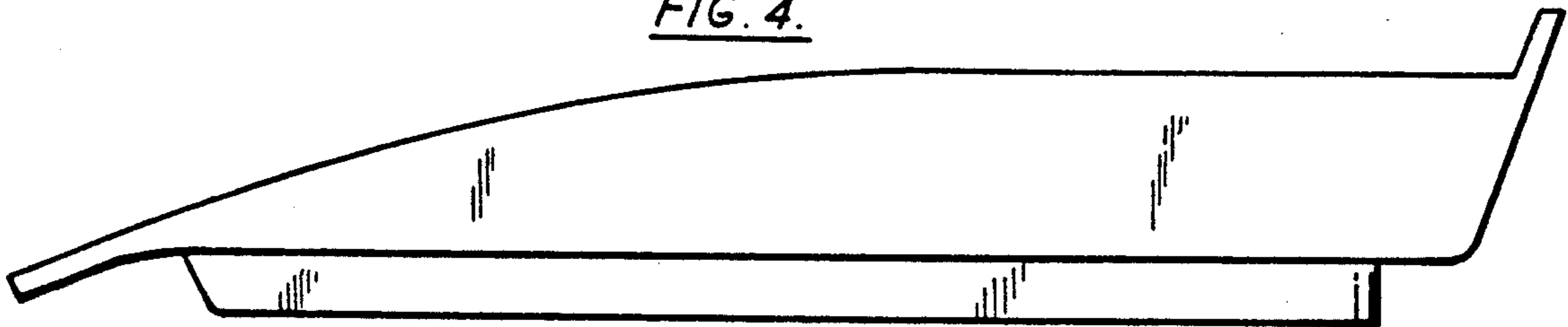


FIG. 5.

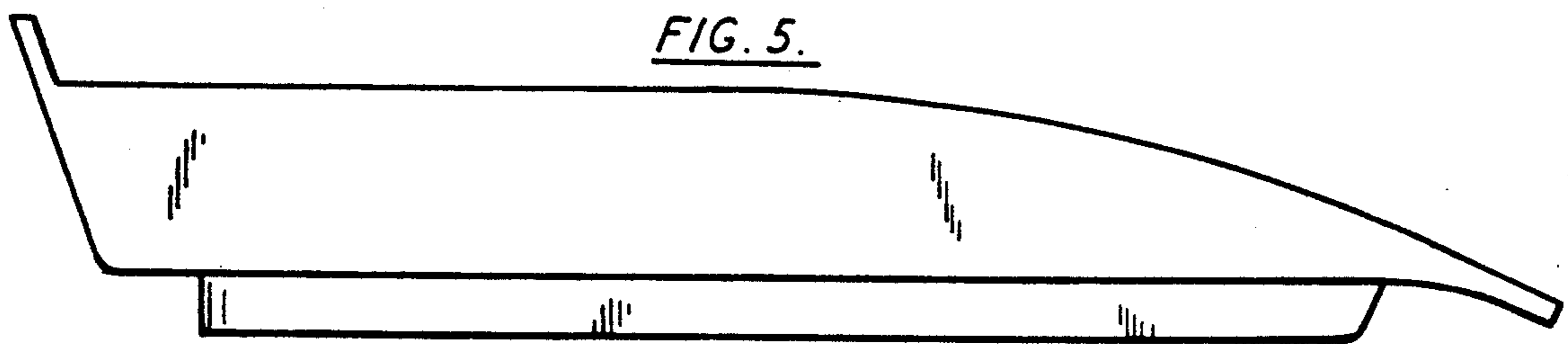


FIG. 6.

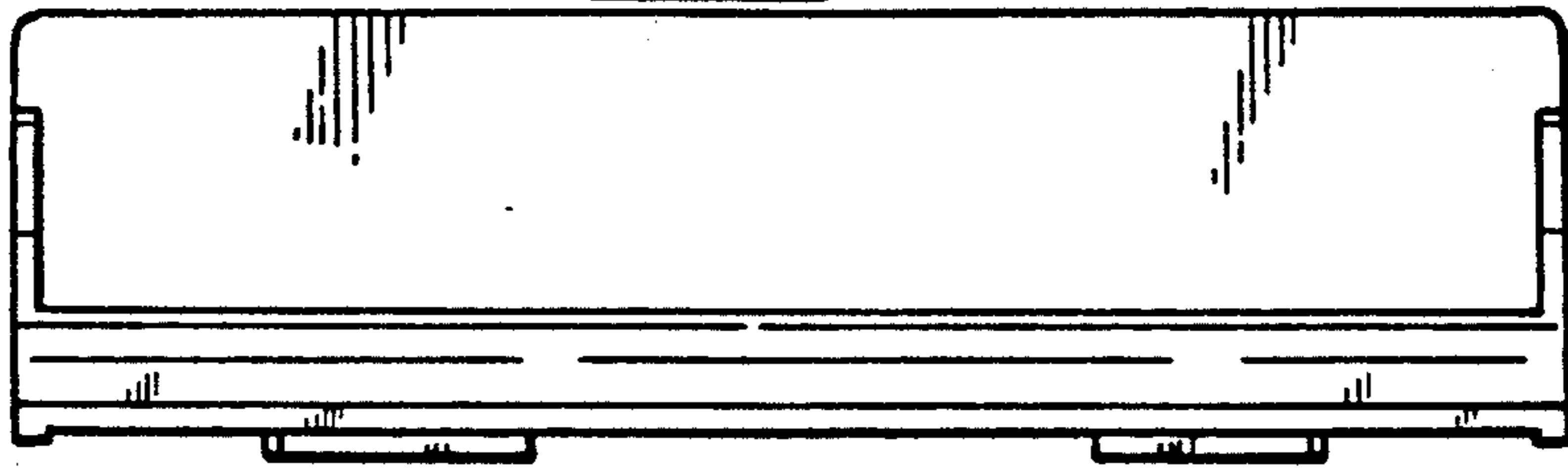


FIG. 7.

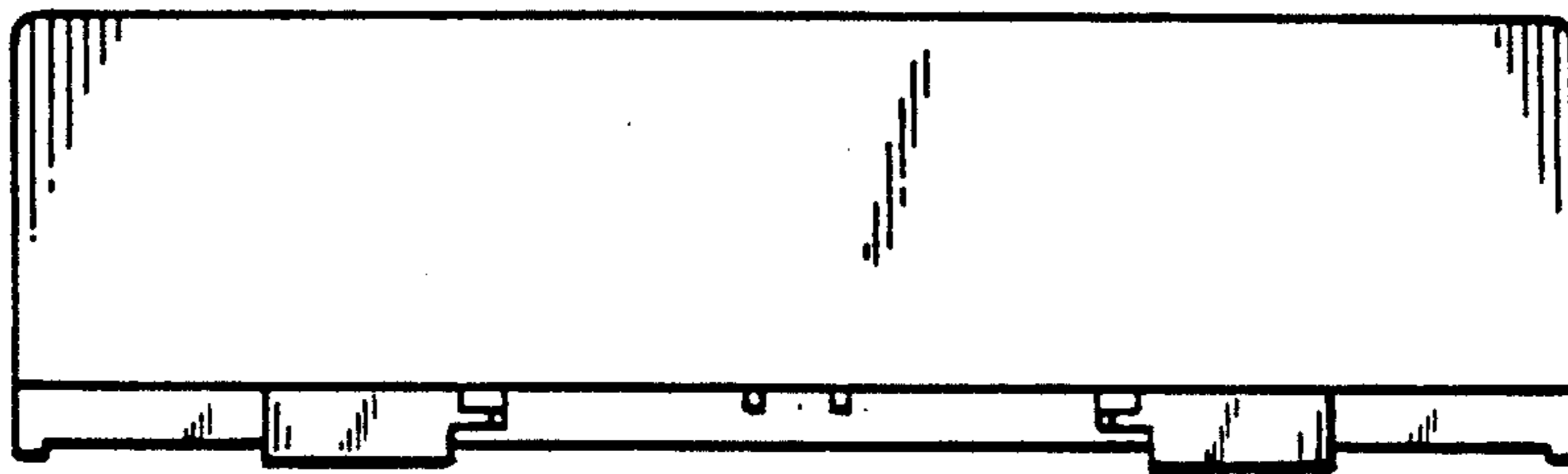


FIG. 8.

