



US00D335504S

# United States Patent [19]

[11] Patent Number: **Des. 335,504**

Chan

[45] Date of Patent: **\*\* May 11, 1993**

- [54] **CARD FILE**
- [75] Inventor: **Eric P. Chan, New York, N.Y.**
- [73] Assignee: **American Trading & Production Corporation, Baltimore, Md.**
- [\*\*] Term: **14 Years**
- [21] Appl. No.: **814,278**
- [22] Filed: **Dec. 26, 1991**
- [52] U.S. Cl. .... **D19/76; D19/86; D19/90; D19/95**
- [58] Field of Search ..... **D19/65, 75, 76, 78, D19/86, 90, 91, 92, 95, 99, 100; 211/10, 11, 45, 50, 55, 126; 40/371-380, 384, 404; 312/50, 183, 184, 189, 193**

- D. 302,702 8/1989 Goertz ..... D19/76
- D. 328,103 7/1992 Ambasz ..... D19/86
- 2,472,567 6/1949 Bruen ..... D19/76 X
- 4,192,425 3/1980 Landau et al. .... 211/50
- 4,534,475 8/1985 Mayo ..... 211/11

*Primary Examiner*—Nelson C. Holtje  
*Assistant Examiner*—Martha Thompson  
*Attorney, Agent, or Firm*—Cohn, Powell & Hind

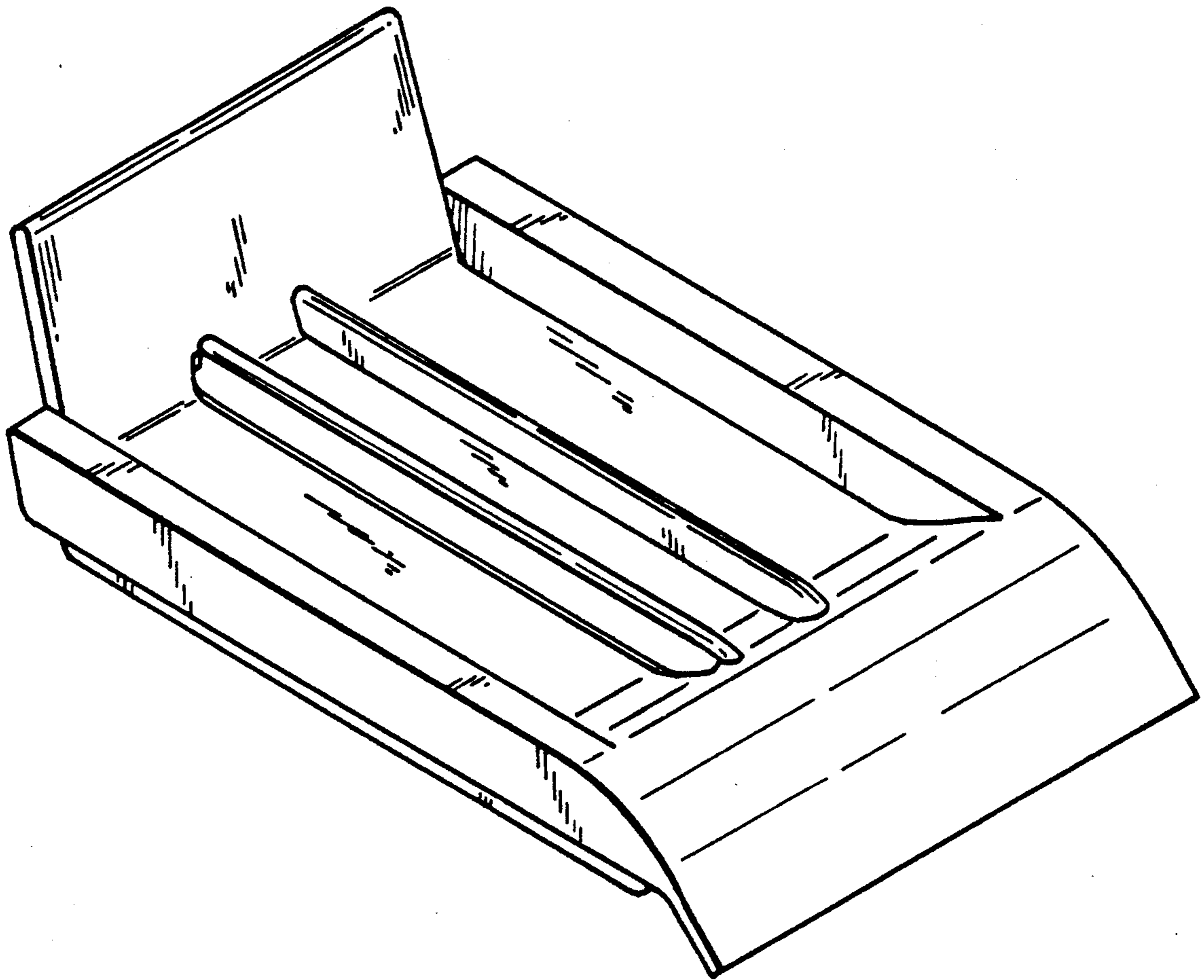
### [57] CLAIM

The ornamental design for a card file, as shown and described.

### DESCRIPTION

FIG. 1 is an upper, front perspective view of a card file showing my new design;  
 FIG. 2 is a lower, rear perspective view thereof;  
 FIG. 3 is a top plan view thereof;  
 FIG. 4 is a right side elevational view thereof;  
 FIG. 5 is a left side elevational view thereof;  
 FIG. 6 is a front elevational view thereof;  
 FIG. 7 is a rear elevational view thereof; and,  
 FIG. 8 is a bottom plan view thereof.

- [56] **References Cited**
- U.S. PATENT DOCUMENTS**
- D. 226,880 5/1973 Wetmore ..... D19/76
- D. 227,811 7/1973 McFarland ..... D19/76
- D. 266,336 9/1982 Leib, III ..... D19/76
- D. 287,861 1/1987 Husbands ..... D19/76



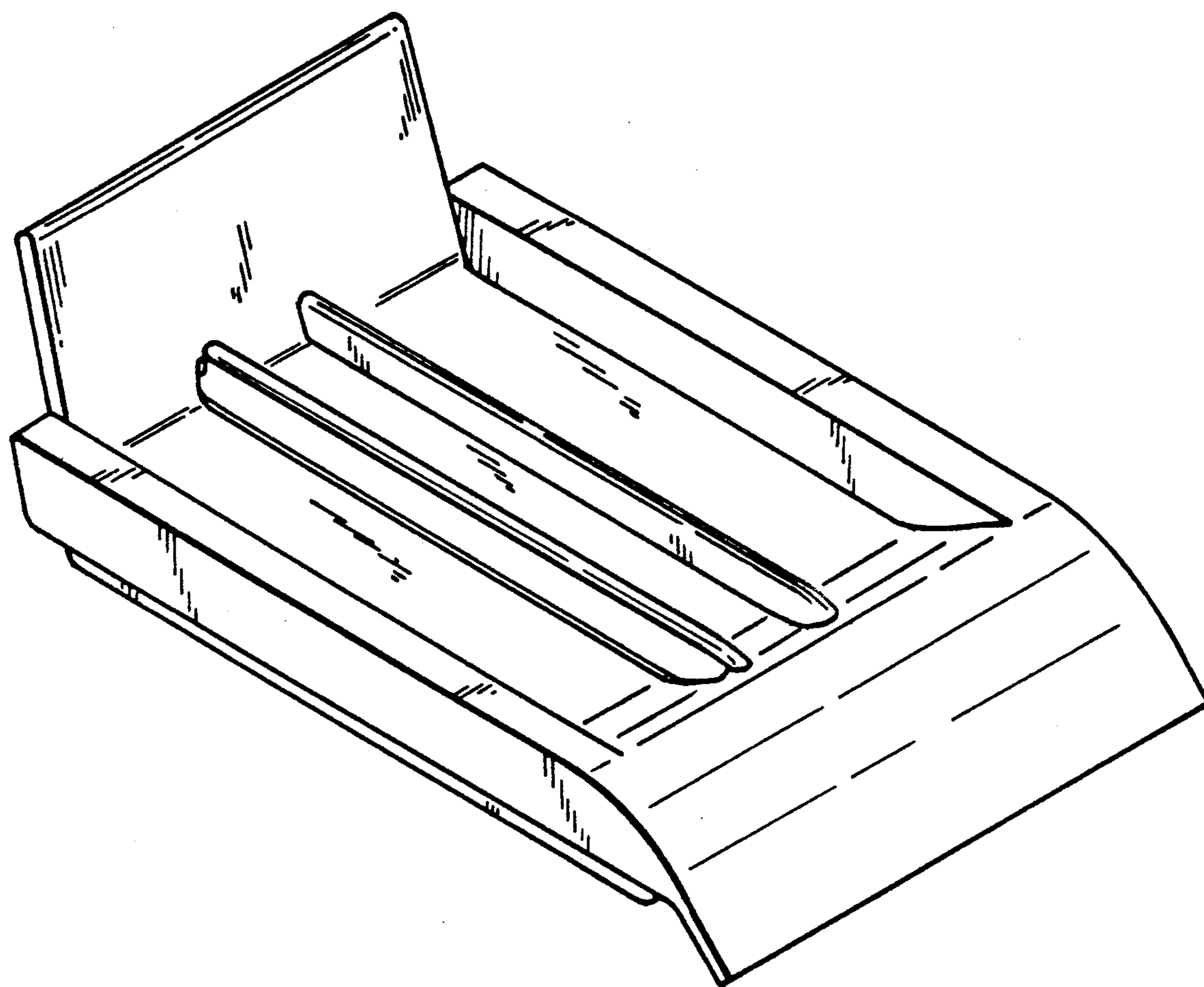


FIG. 1.

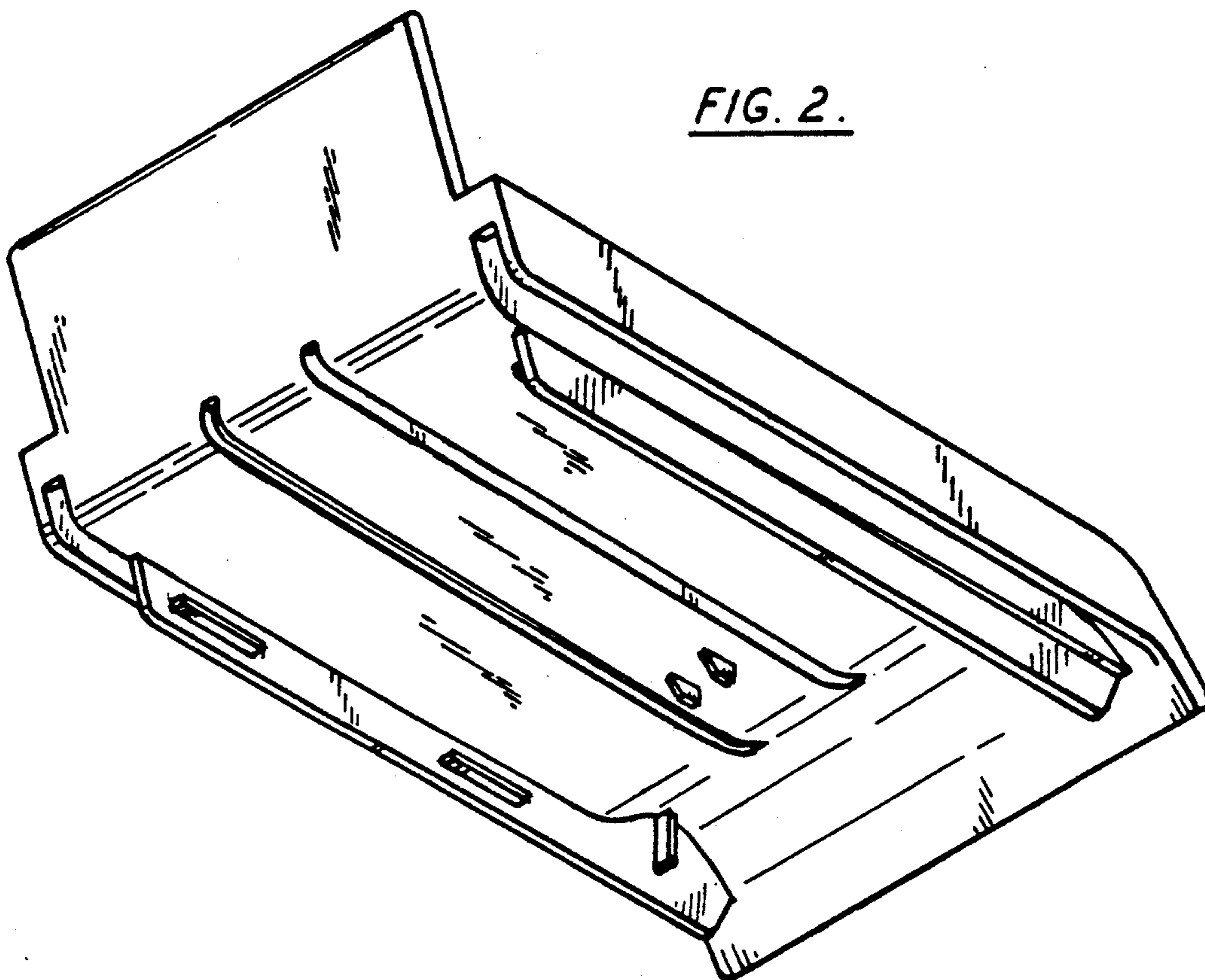


FIG. 3.

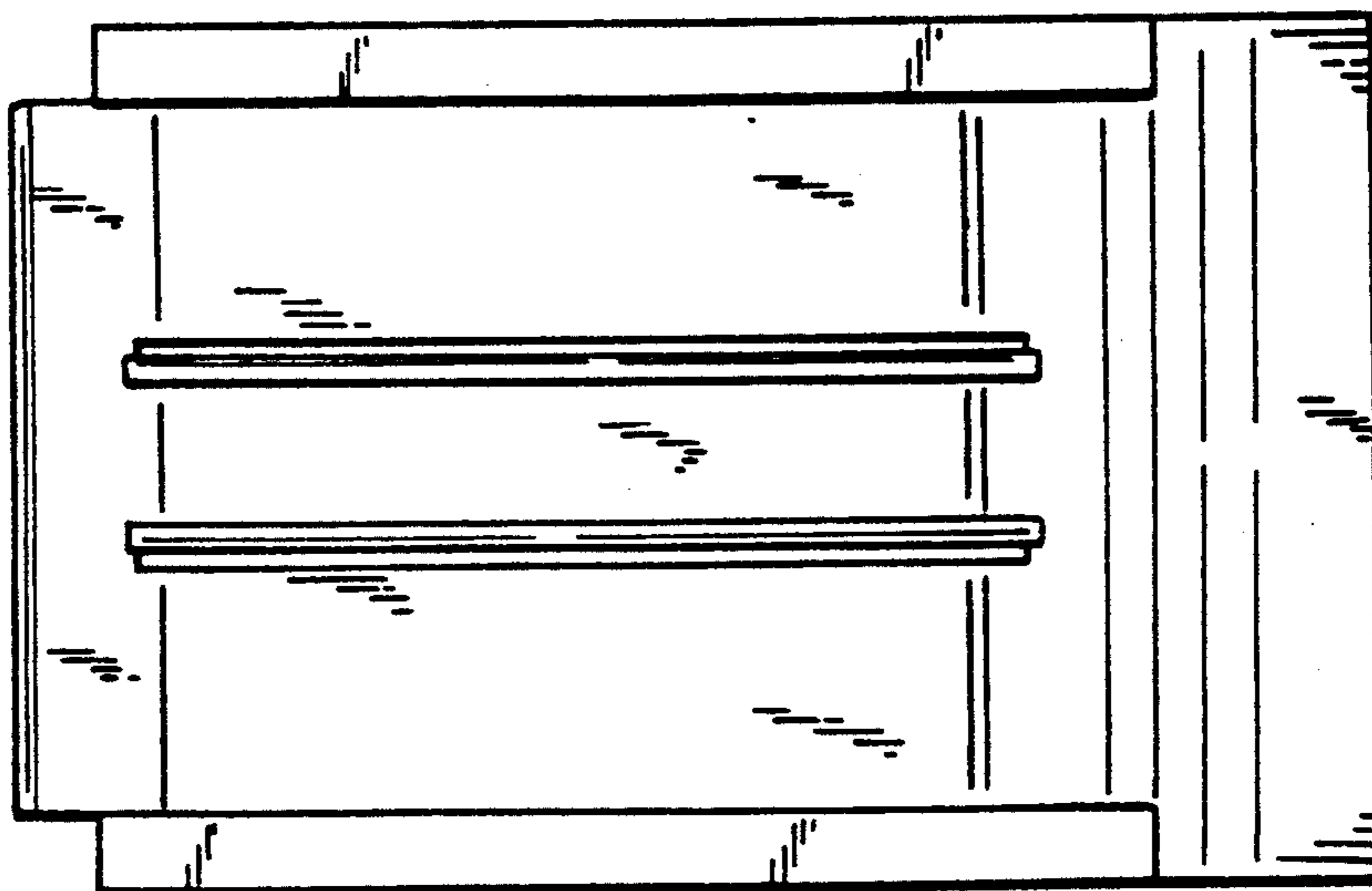


FIG. 4.

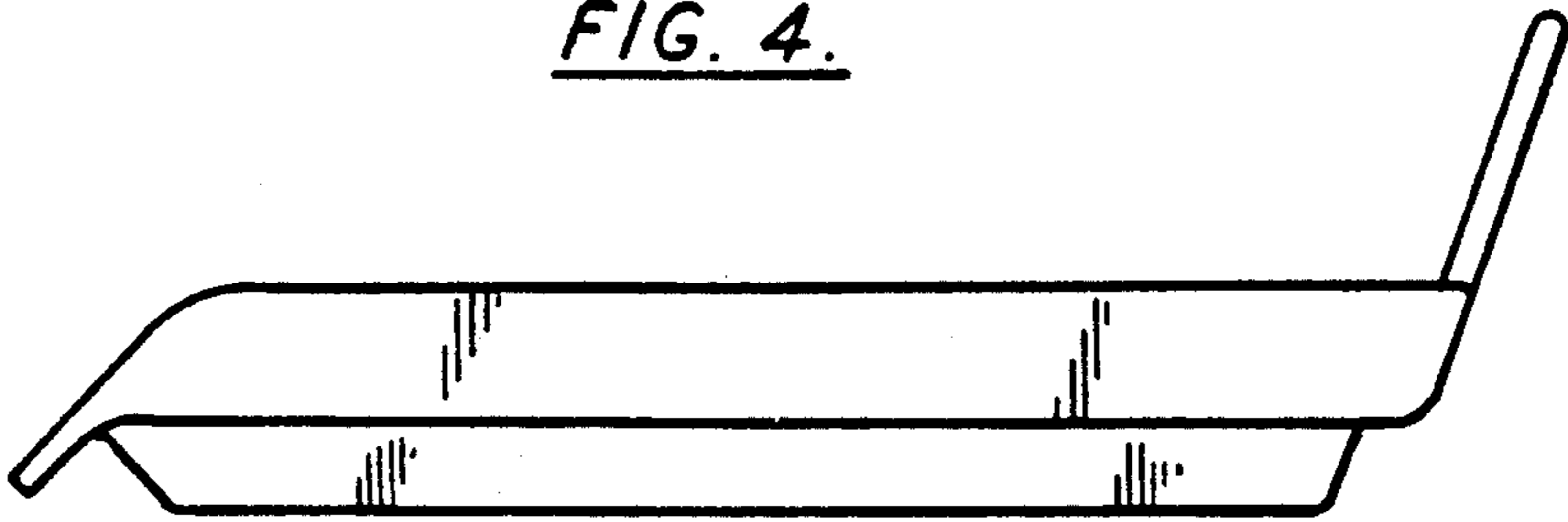


FIG. 5.

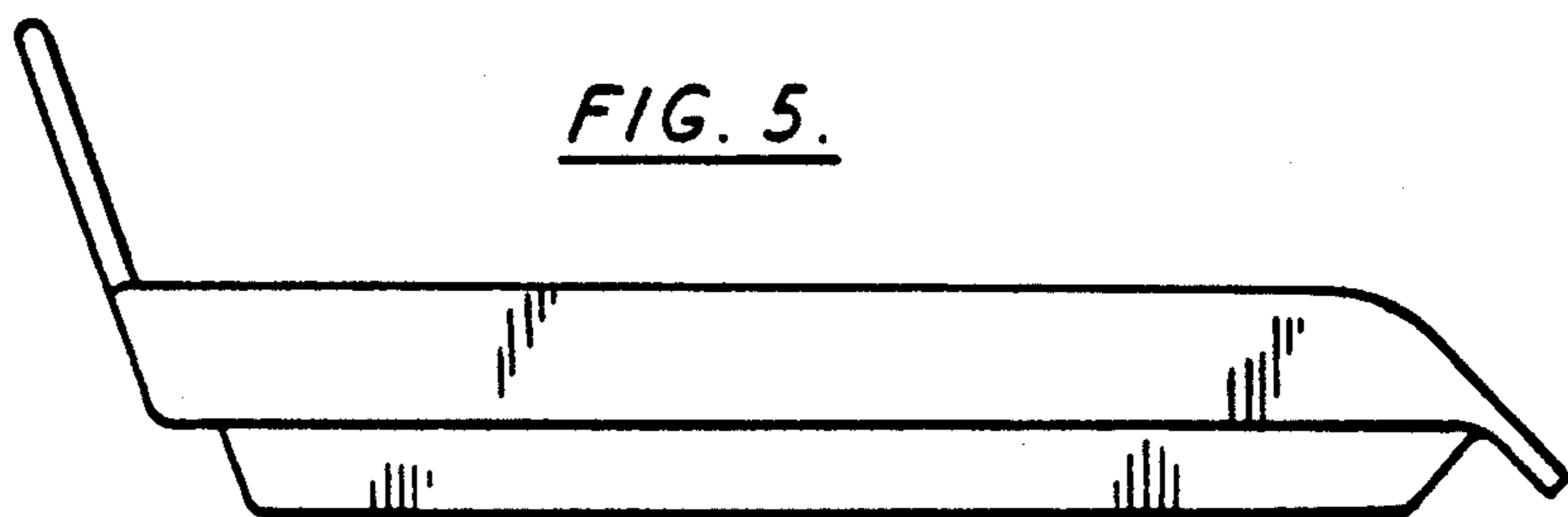


FIG. 6.

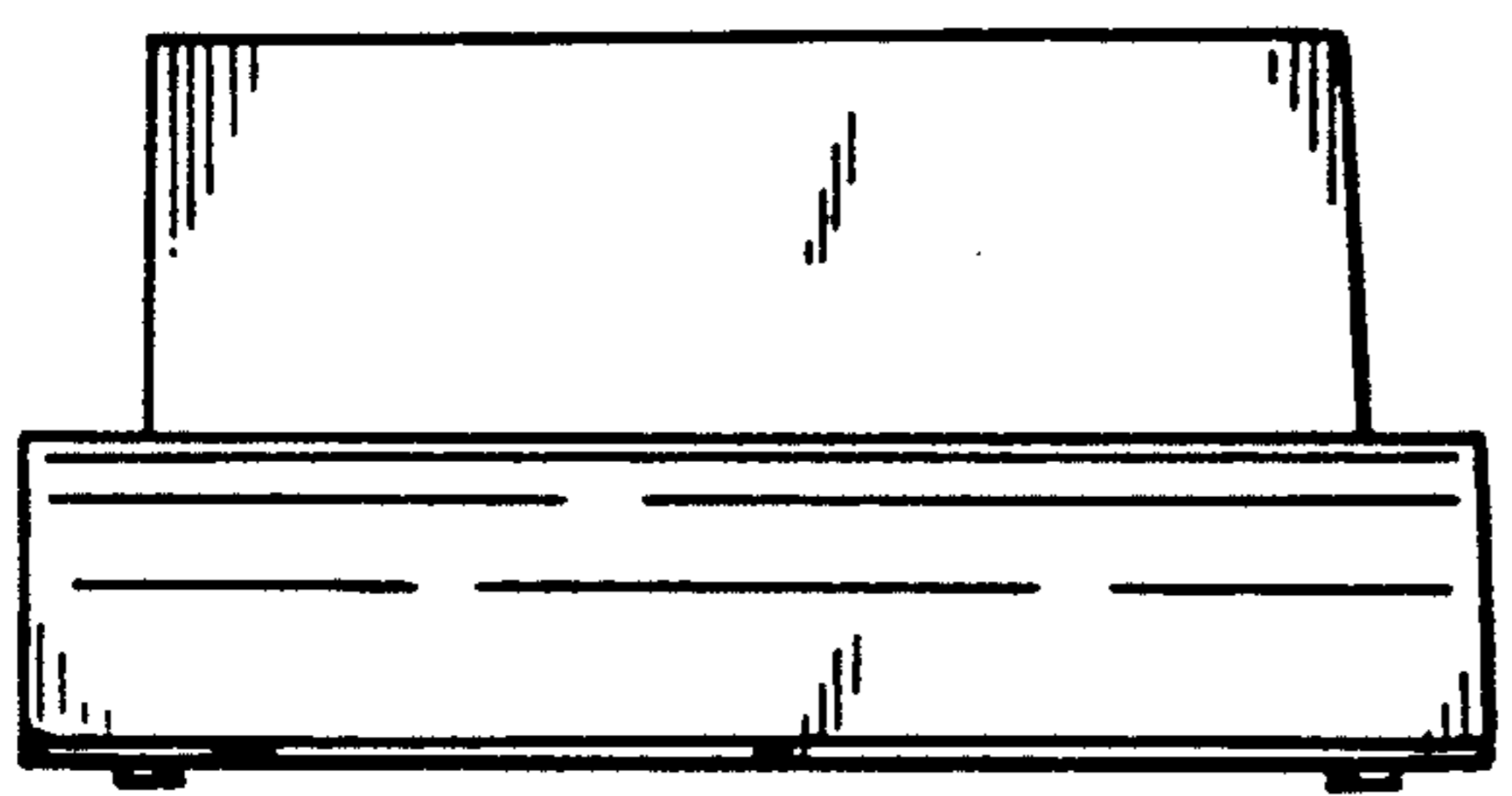


FIG. 7.

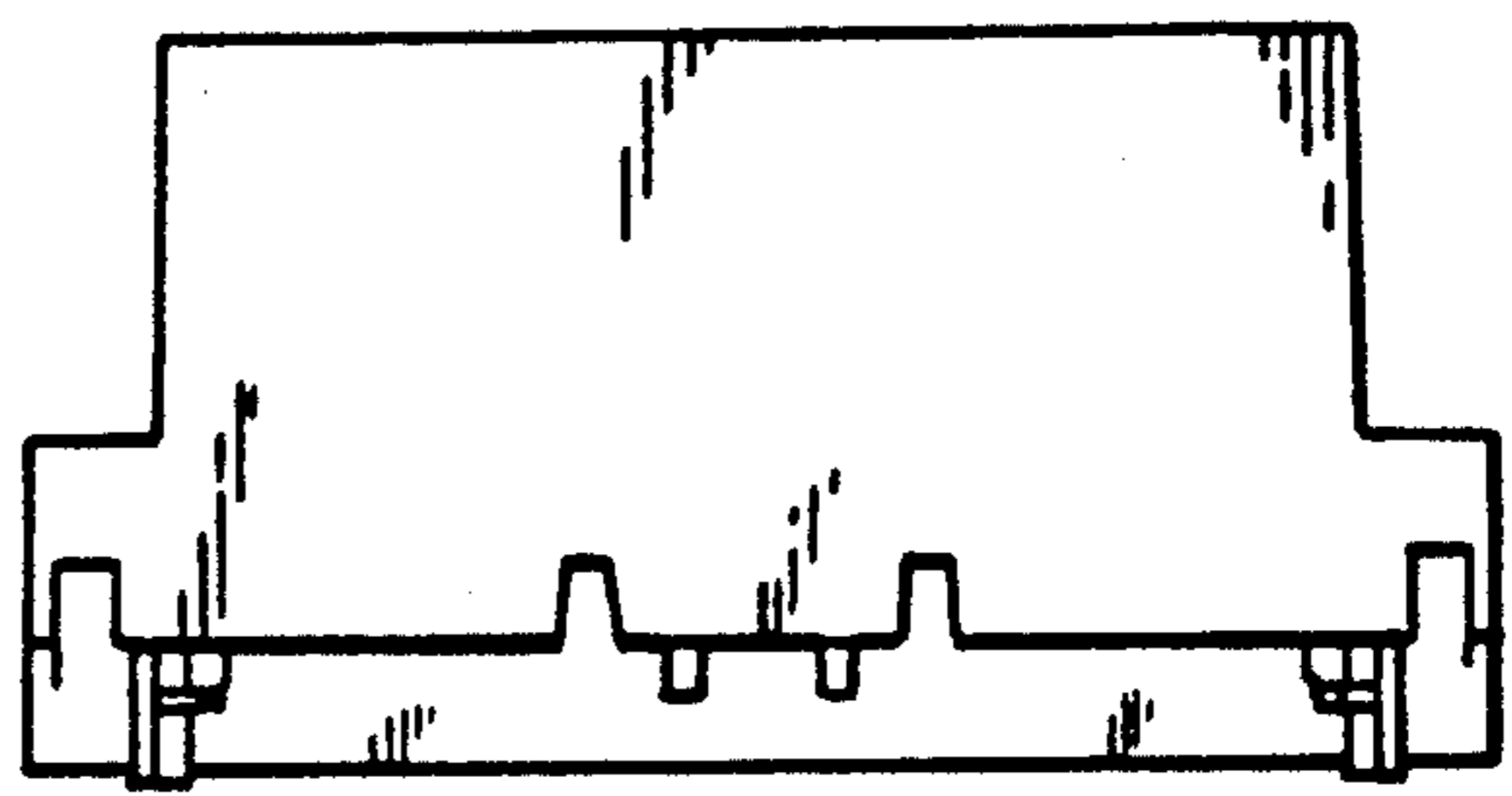


FIG. 8.

