



US00D335493S

United States Patent [19]

[11] Patent Number: **Des. 335,493**

Soodong

[45] Date of Patent: **** May 11, 1993**

[54] **CRT MONITOR FOR COMPUTER**
 [75] Inventor: **Kim Soodong, Seoul, Rep. of Korea**
 [73] Assignee: **Samsung Electron Devices Co., Ltd., Hwasung, Rep. of Korea**

D. 313,407 1/1991 Kao D14/113
 D. 318,048 7/1991 Kim D14/113
 D. 318,861 8/1991 Manabe et al. D14/113
 D. 321,344 11/1991 Steinbugler et al. D14/113

[**] Term: **14 Years**
 [21] Appl. No.: **602,085**
 [22] Filed: **Oct. 23, 1990**

Primary Examiner—Wallace R. Burke
Assistant Examiner—Freda S. Nunn
Attorney, Agent, or Firm—Christie, Parker & Hale

[30] **Foreign Application Priority Data**
 Apr. 24, 1990 [KR] Rep. of Korea 90-5771
 [52] U.S. Cl. **D14/113**
 [58] Field of Search D14/100, 113, 115, 126;
 D18/11; 340/700, 706; 358/249, 254;
 364/706-710

[57] **CLAIM**
 The ornamental design for a crt monitor for computer, as shown and described.

[56] **References Cited**
U.S. PATENT DOCUMENTS
 D. 313,228 12/1990 Suyama et al. D14/113

DESCRIPTION
 FIG. 1 is a front elevational view of a crt monitor for a computer showing my new design;
 FIG. 2 is a back elevational view thereof;
 FIG. 3 is a top plan view thereof;
 FIG. 4 is a bottom plan view thereof;
 FIG. 5 is a left-side elevational view thereof;
 FIG. 6 is a right side elevational view thereof; and,
 FIG. 7 is a top front and right side perspective view thereof.

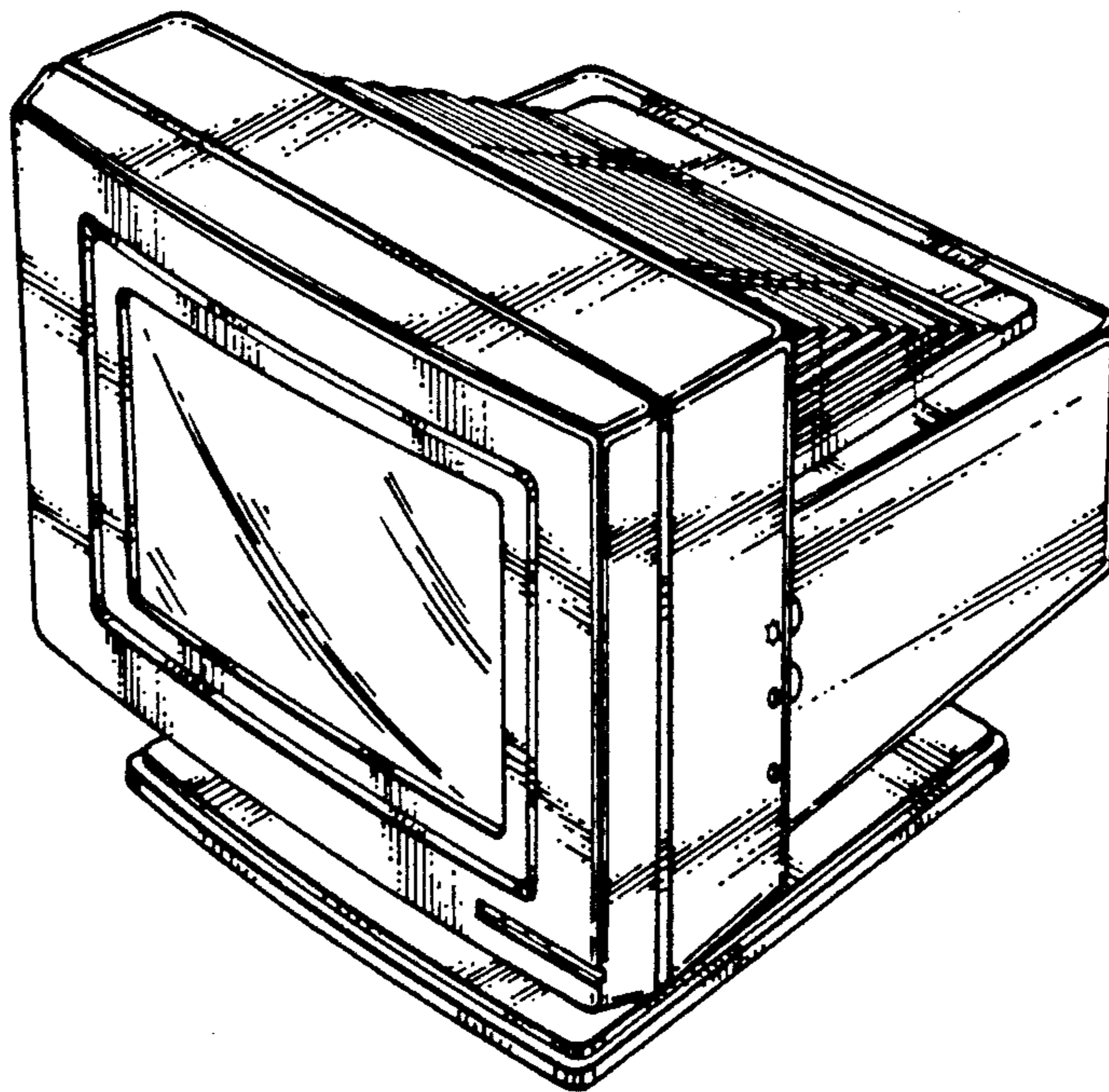
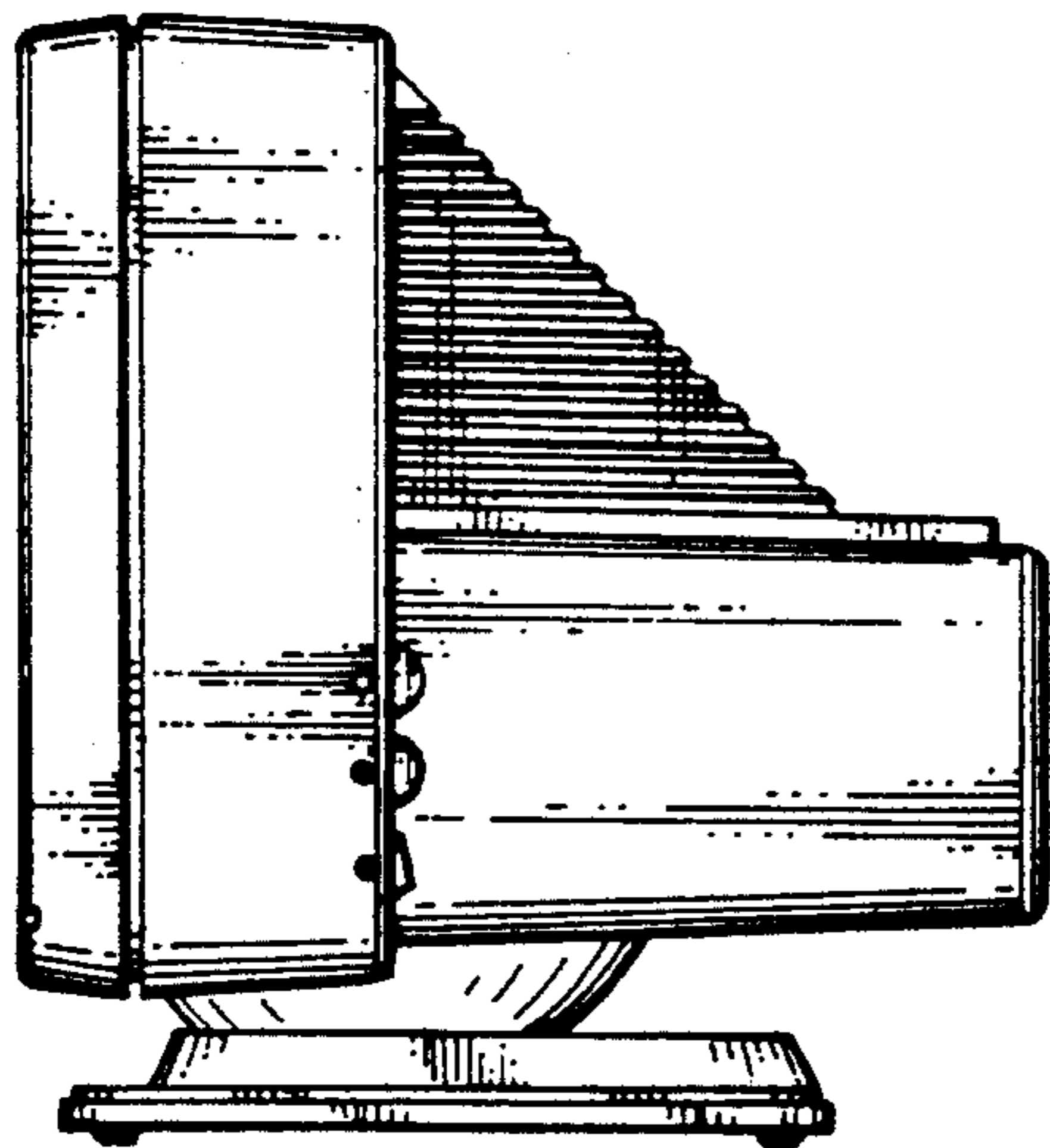


FIG. 1

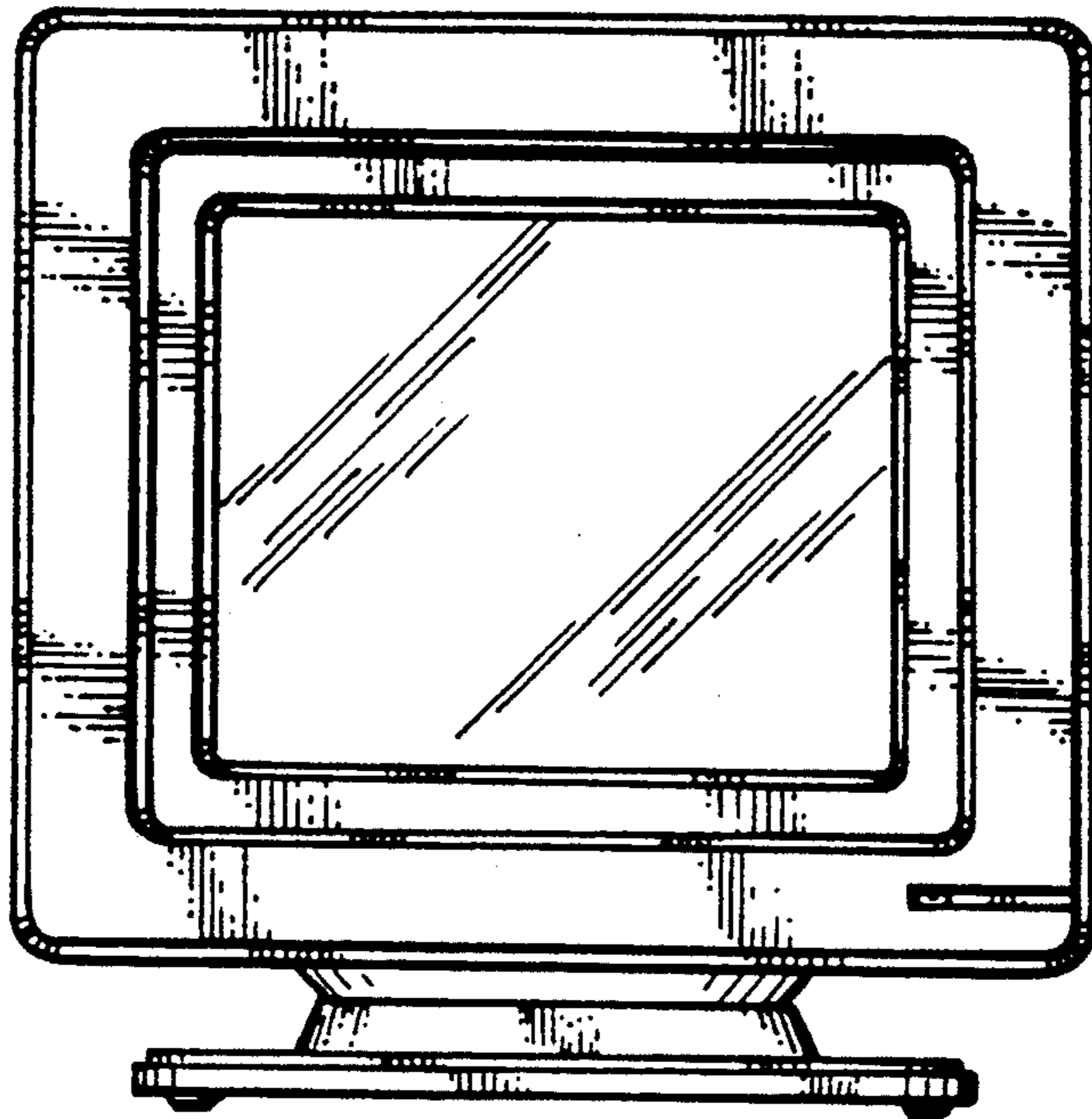


FIG. 2

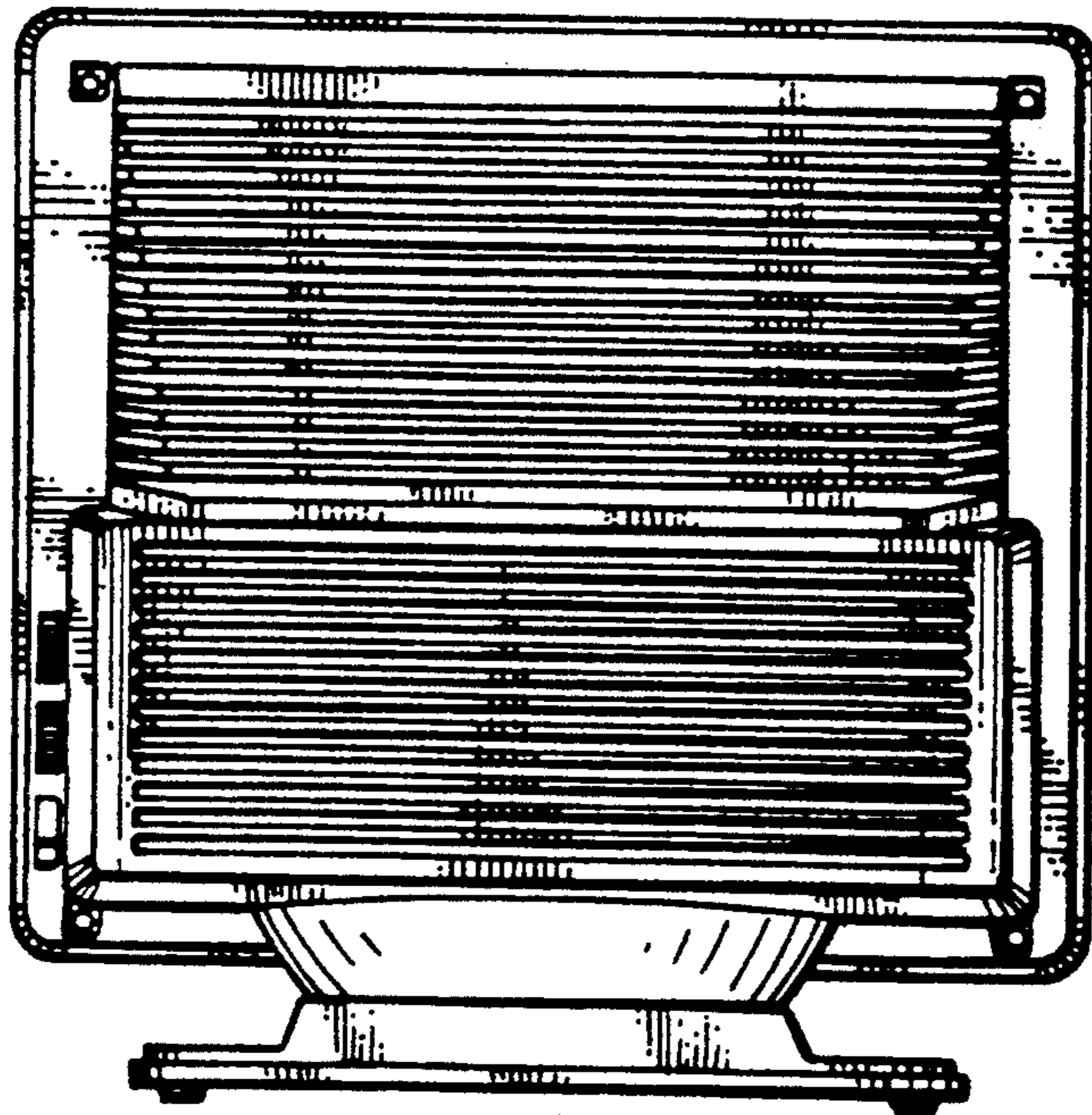


FIG. 3

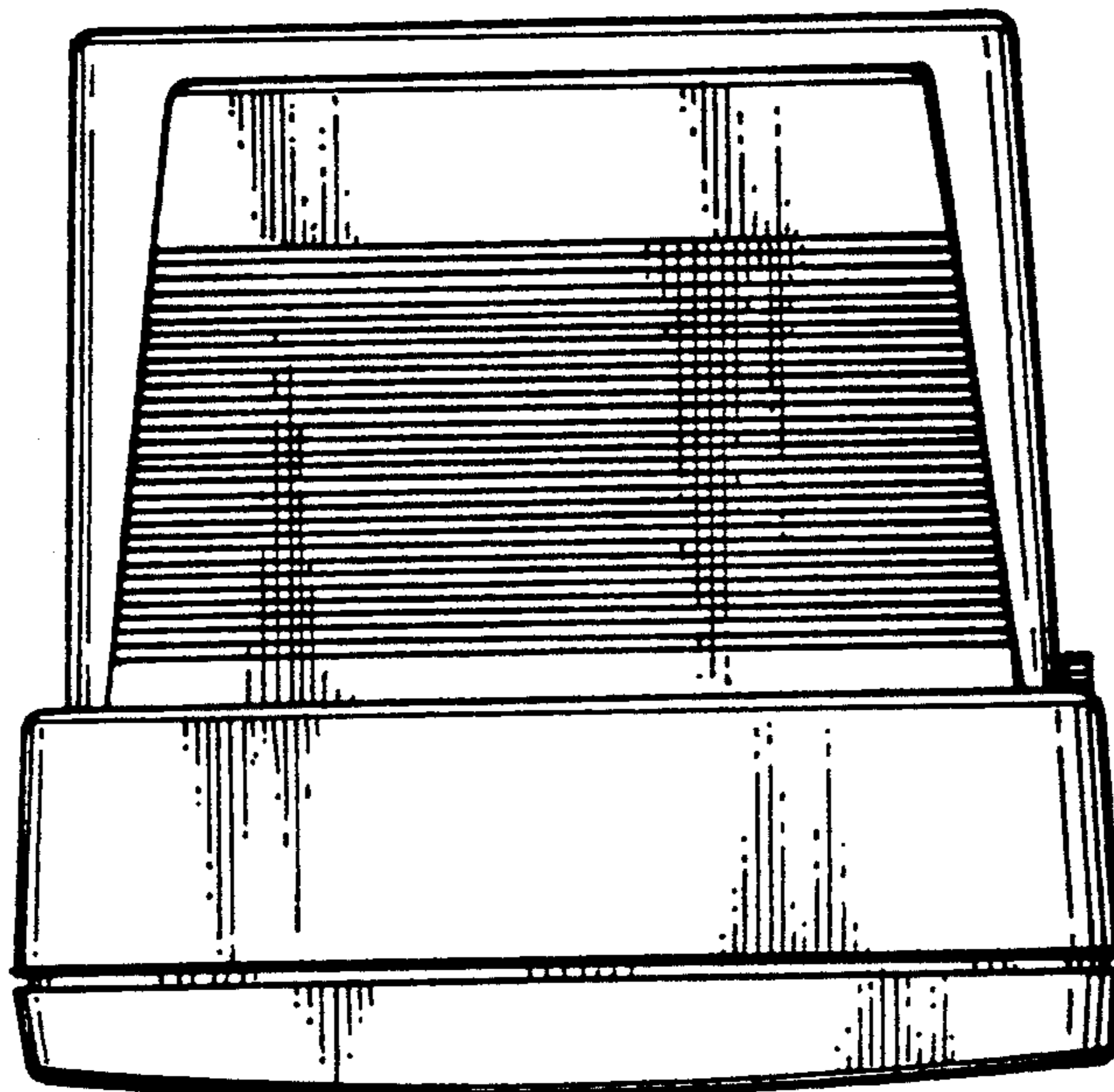


FIG. 4

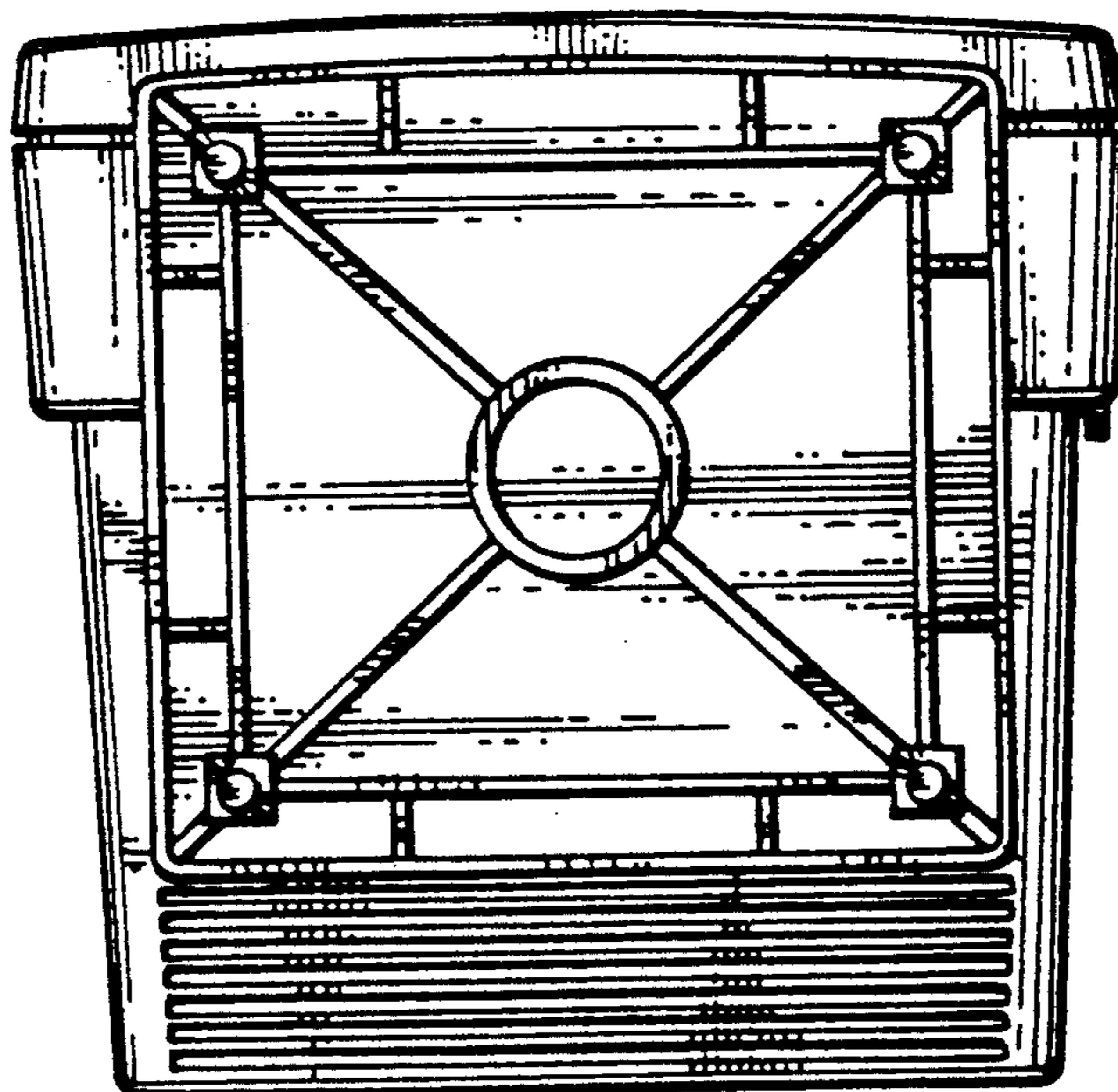


FIG. 5

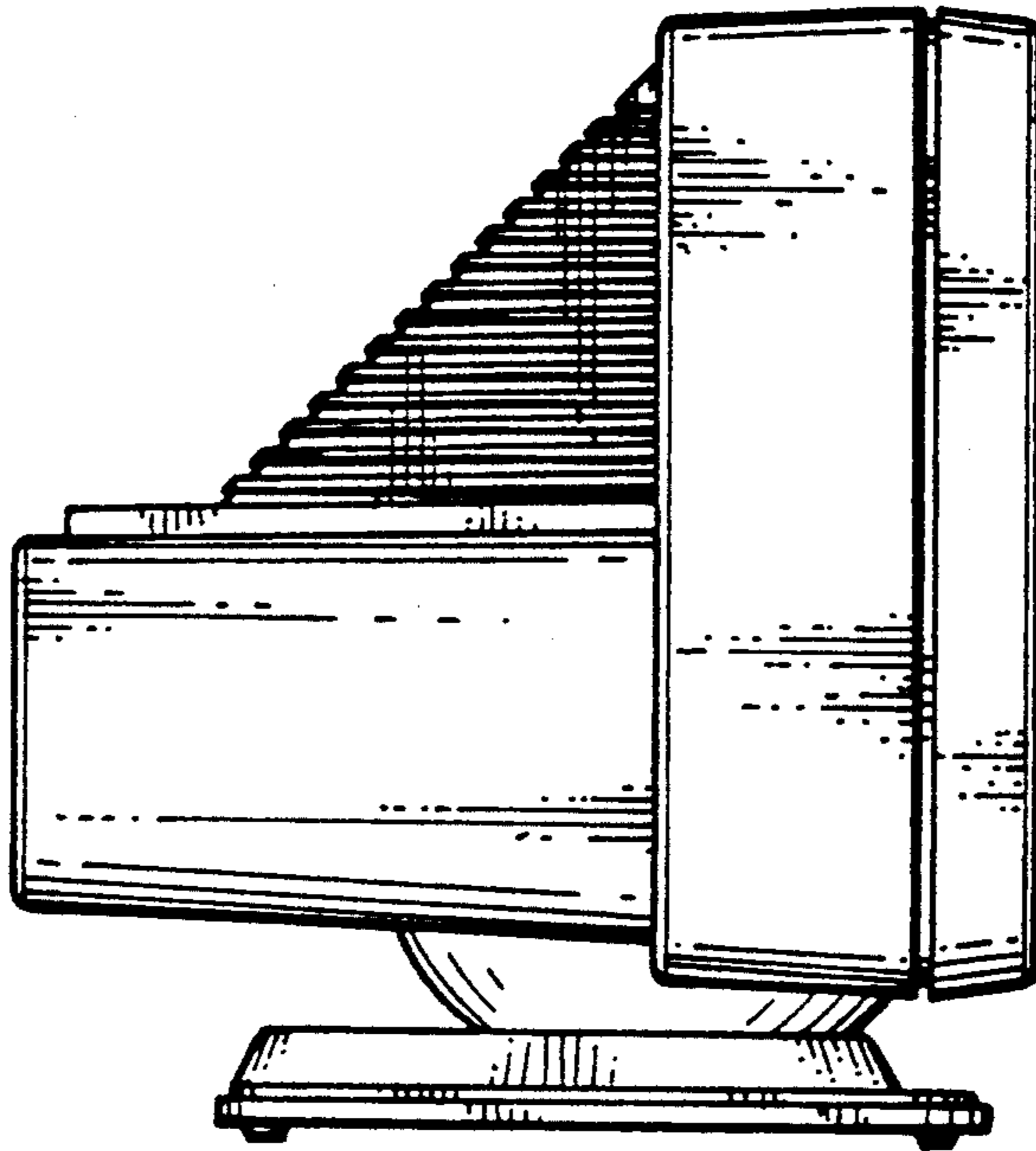


FIG. 6

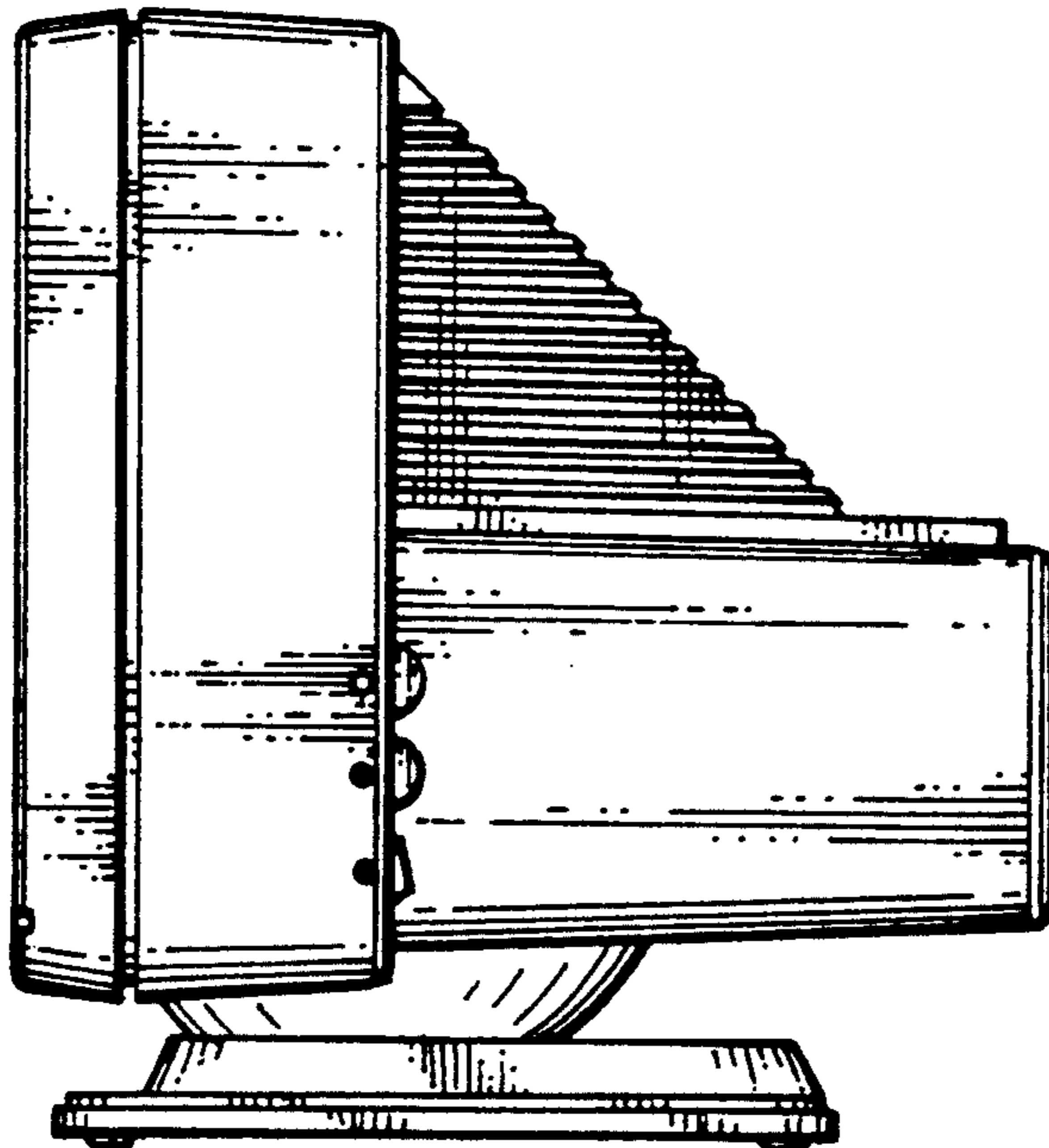
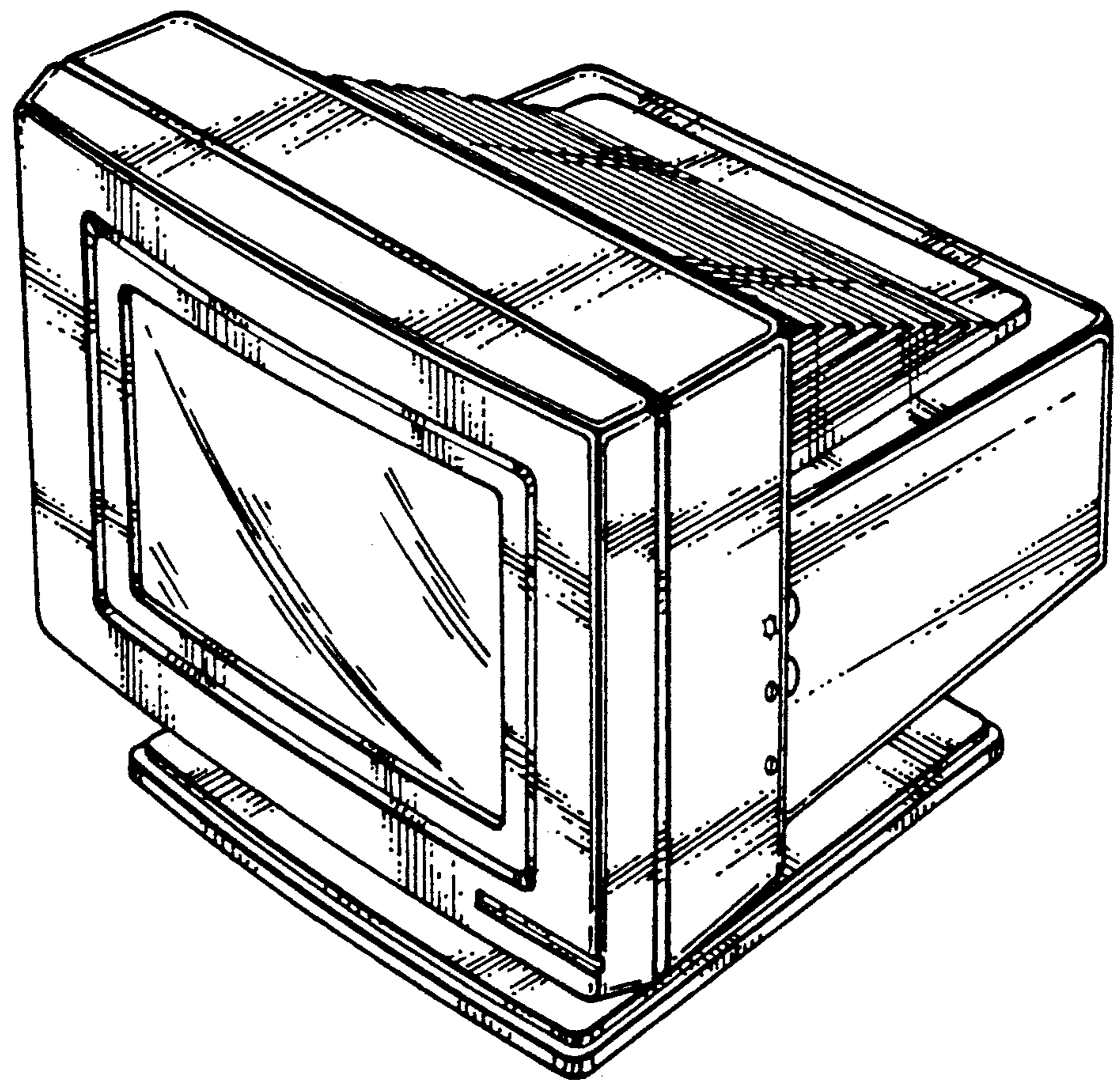


FIG. 7



UNITED STATES PATENT AND TRADEMARK OFFICE
CERTIFICATE OF CORRECTION

PATENT NO. : Des. 335,493
DATED : May 11, 1993
INVENTOR(S) : Kim Soodong

It is certified that error appears in the above-identified patent and that said Letters Patent is hereby corrected as shown below:

On the Title page, item [19], under "United States Patent, change "Soodong" to -- Kim --.

On the Title page, item [75], change "Kim Soodong, Seoul, Rep. of Korea" to Soodong Kim, Seoul, Rep. of Korea --.

Signed and Sealed this
Eleventh Day of January, 1994

Attest:



BRUCE LEHMAN

Attesting Officer

Commissioner of Patents and Trademarks