



US00D335490S

United States Patent [19]

[11] Patent Number: **Des. 335,490**

Mesfin et al.

[45] Date of Patent: **** May 11, 1993**

[54] **DESKTOP EXPANSION UNIT FOR EXPANDING THE FUNCTIONS OF A PERSONAL NOTEBOOK COMPUTER**

Primary Examiner—Wallace R. Burke
Assistant Examiner—Freda S. Nunn
Attorney, Agent, or Firm—James R. Burdett

[75] Inventors: **Teodros Mesfin; Jon Kolas; John E. Youens**, all of Houston, Tex.

[57] **CLAIM**

The ornamental design for desktop expansion unit for expanding the functions of a personal notebook computer, as shown and described.

[73] Assignee: **Compaq Computer Corporation**, Houston, Tex.

DESCRIPTION

[**] Term: **14 Years**

FIG. 1 is a top front left side perspective view of a desktop expansion unit for expanding the functions of a personal notebook computer showing our new design; FIG. 2 is a front elevational view thereof on an enlarged scale;

[21] Appl. No.: **597,769**

FIG. 3 is a rear elevational view thereof on an enlarged scale;

[22] Filed: **Oct. 15, 1990**

[52] U.S. Cl. **D14/107**

[58] Field of Search **D14/100, 102, 107, 109; D13/110, 160, 184, 199; 360/99.01-99.12; 361/390-395**

FIG. 4 is a top, front, left side perspective view thereof with its cover portion removed;

[56] **References Cited**

U.S. PATENT DOCUMENTS

D. 310,998	10/1990	Lee et al.	D14/100
D. 320,196	9/1991	Carter	D14/107
4,084,214	4/1978	Eppich	361/394
4,788,658	11/1988	Hanebuth	361/394 X
4,881,839	11/1989	Grimm	361/394 X

FIG. 5 is a top, front, right side perspective view thereof with its cover portion removed;

FIG. 6 is a front elevational view thereof on an enlarged scale with its cover portion removed;

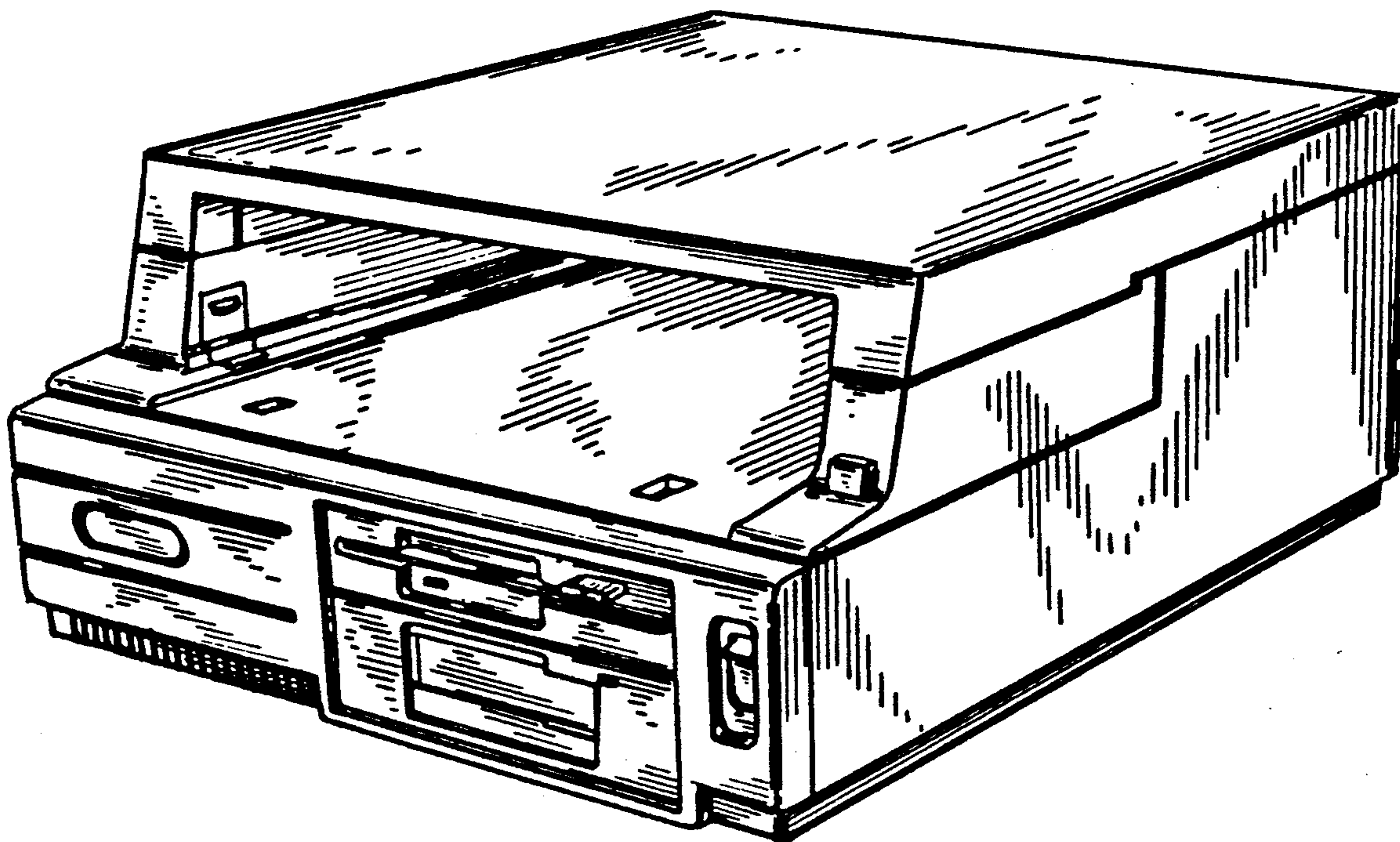
FOREIGN PATENT DOCUMENTS

643544	1/1985	Japan	D14/107
708621	7/1987	Japan	D14/107
740785	8/1988	Japan	D14/107
791802	7/1990	Japan	D14/107
107481	10/1990	Rep. of Korea	D14/107

FIG. 7 is a top rear perspective view thereof on an enlarged scale with its cover portion removed;

FIG. 8 is a top, front, left side perspective view thereof with a notebook personal computer installed therein; and,

FIG. 9 is a top front left side perspective view thereof with a personal notebook computer installed therein and a monitor and keyboard attached. The broken lines are shown in FIGS. 8 and 9 for illustrative purposes only and form no part of the claimed design.



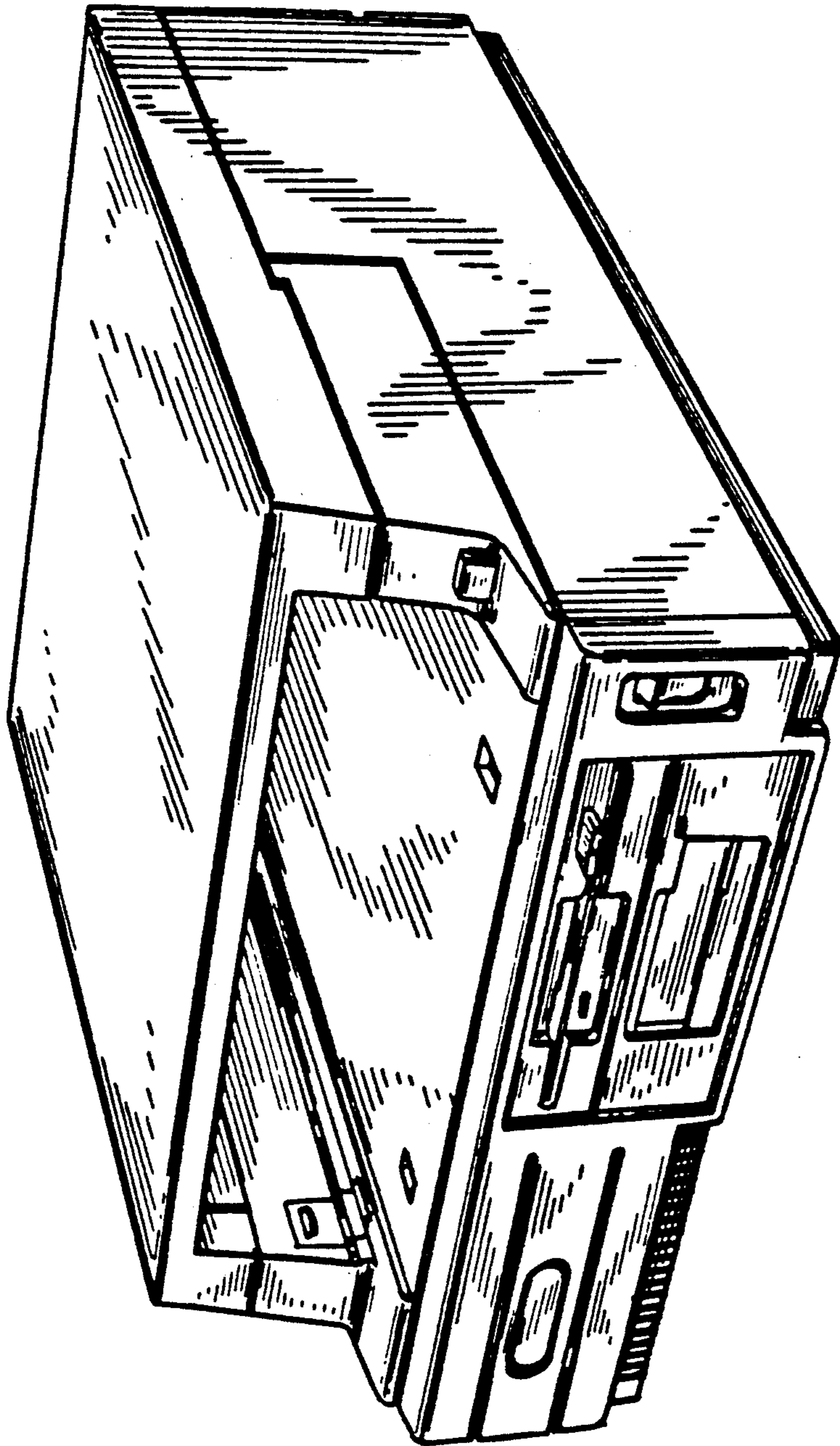


Fig. 1

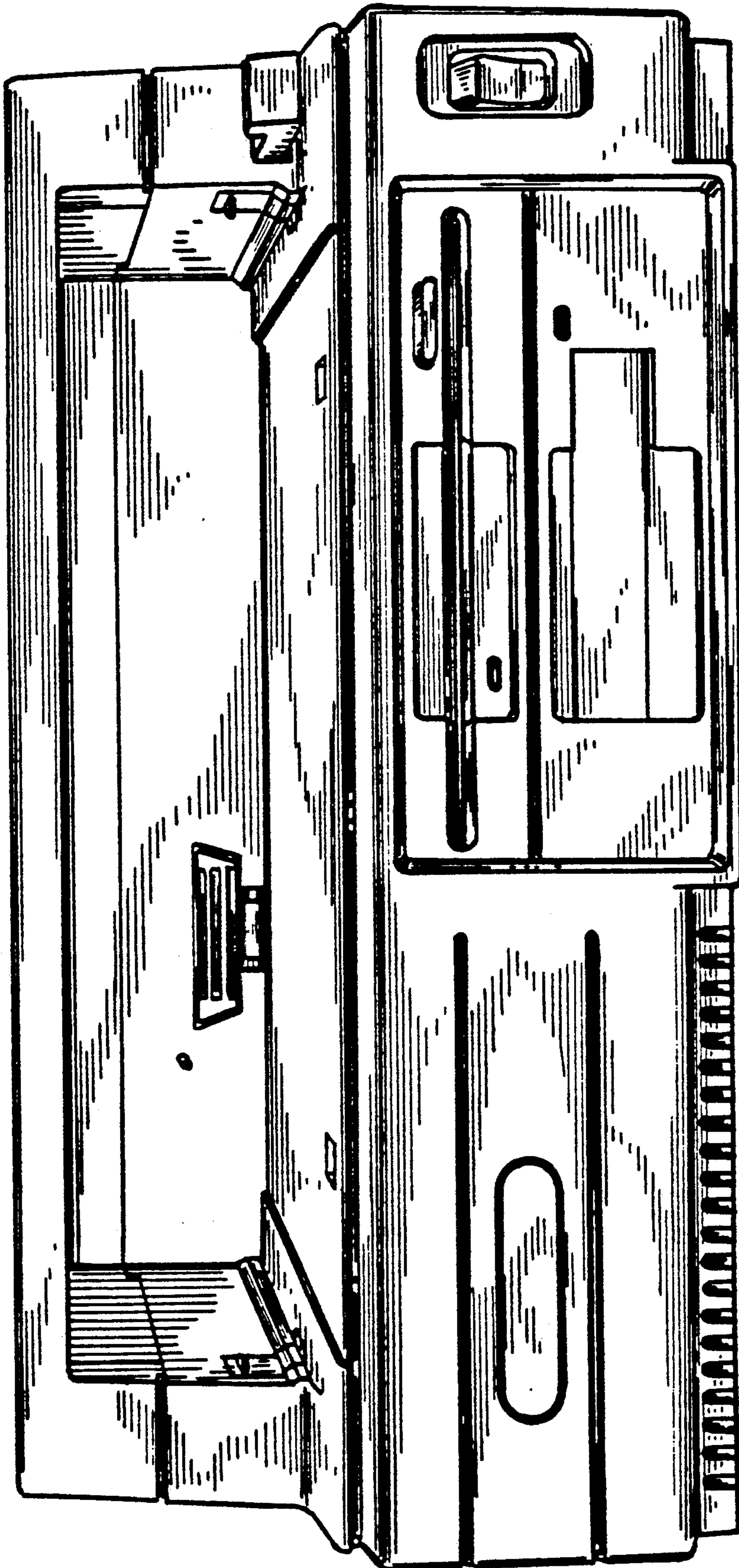


Fig. 2

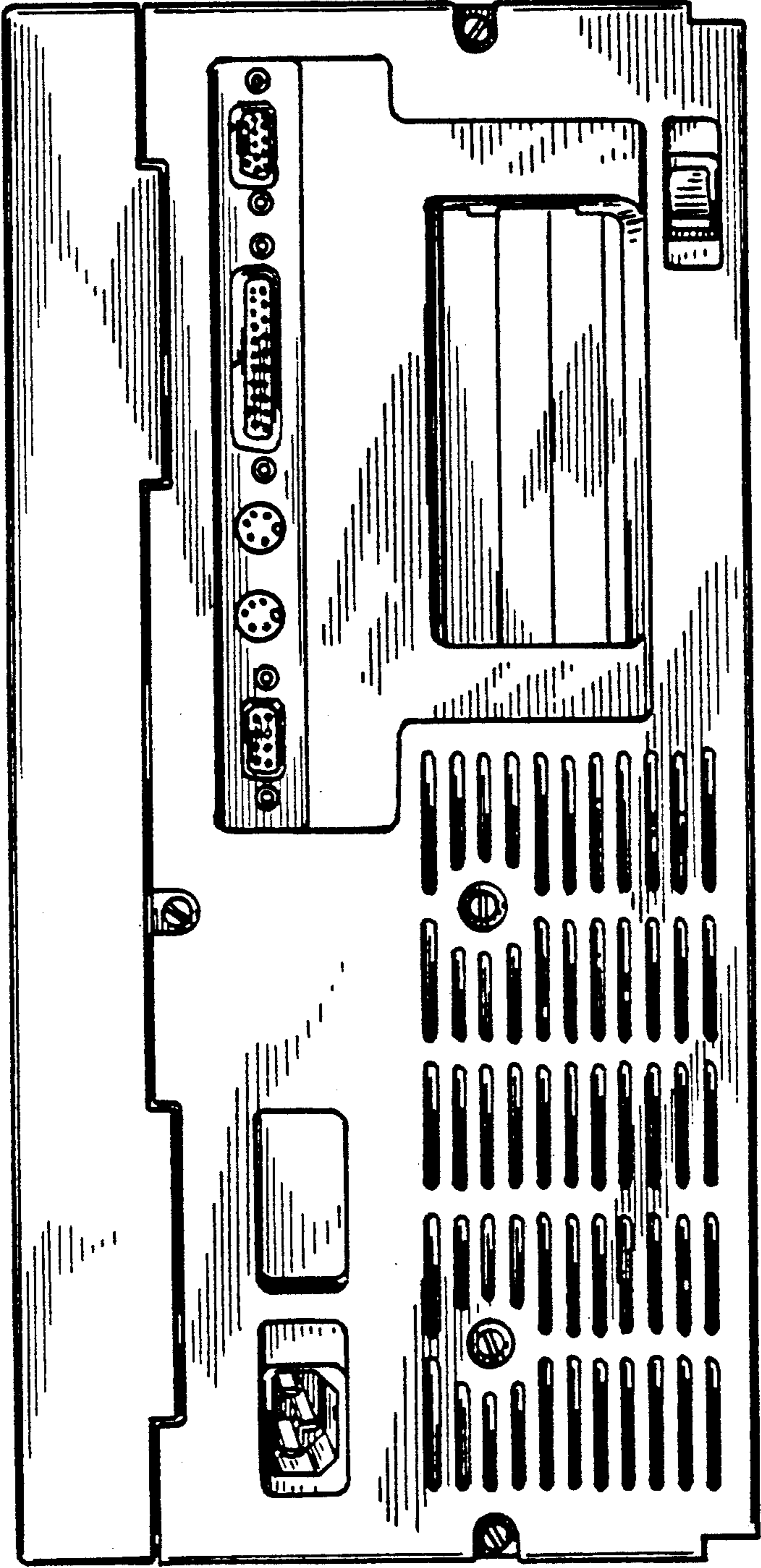


Fig. 3

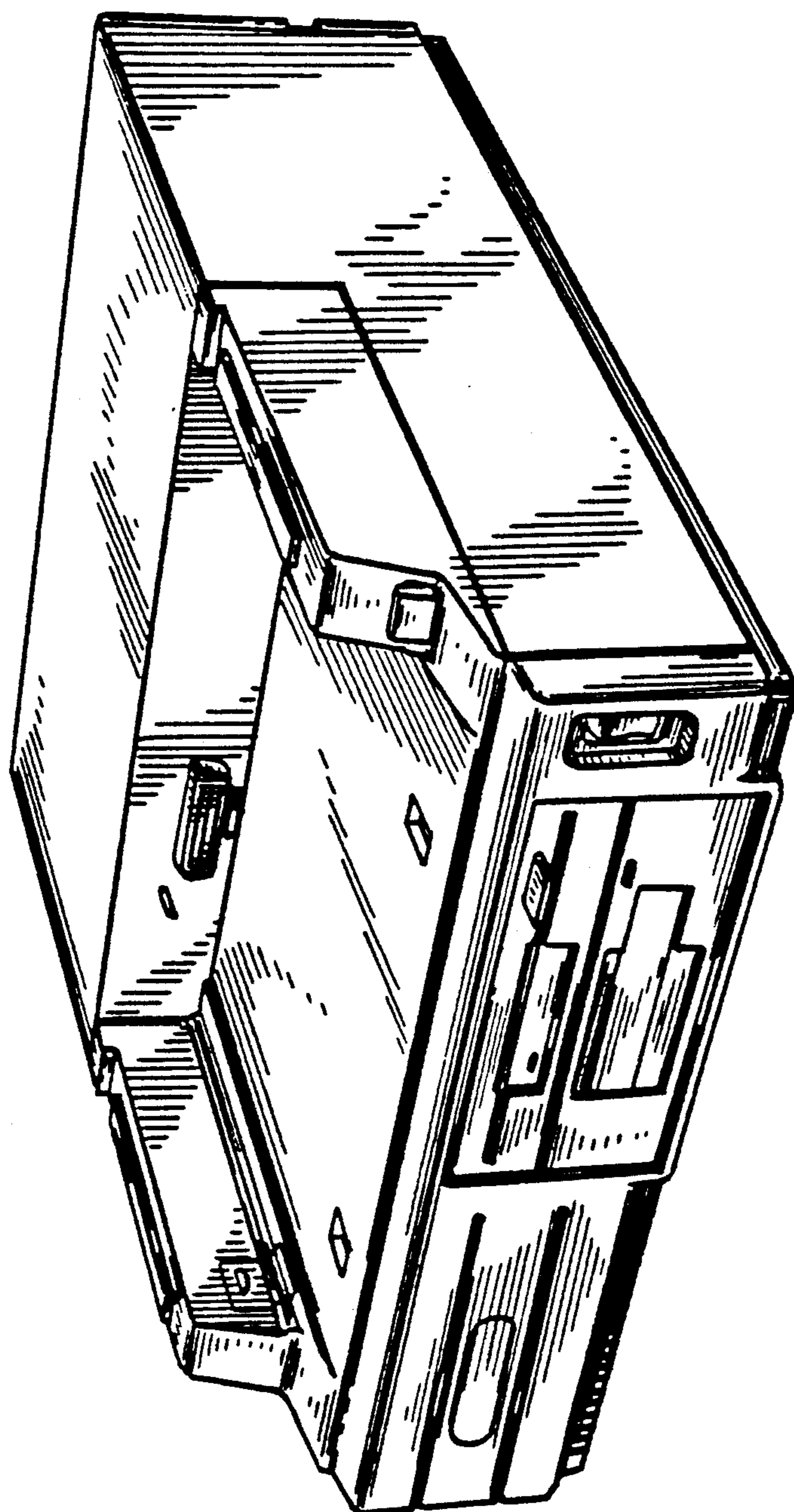


Fig. 4

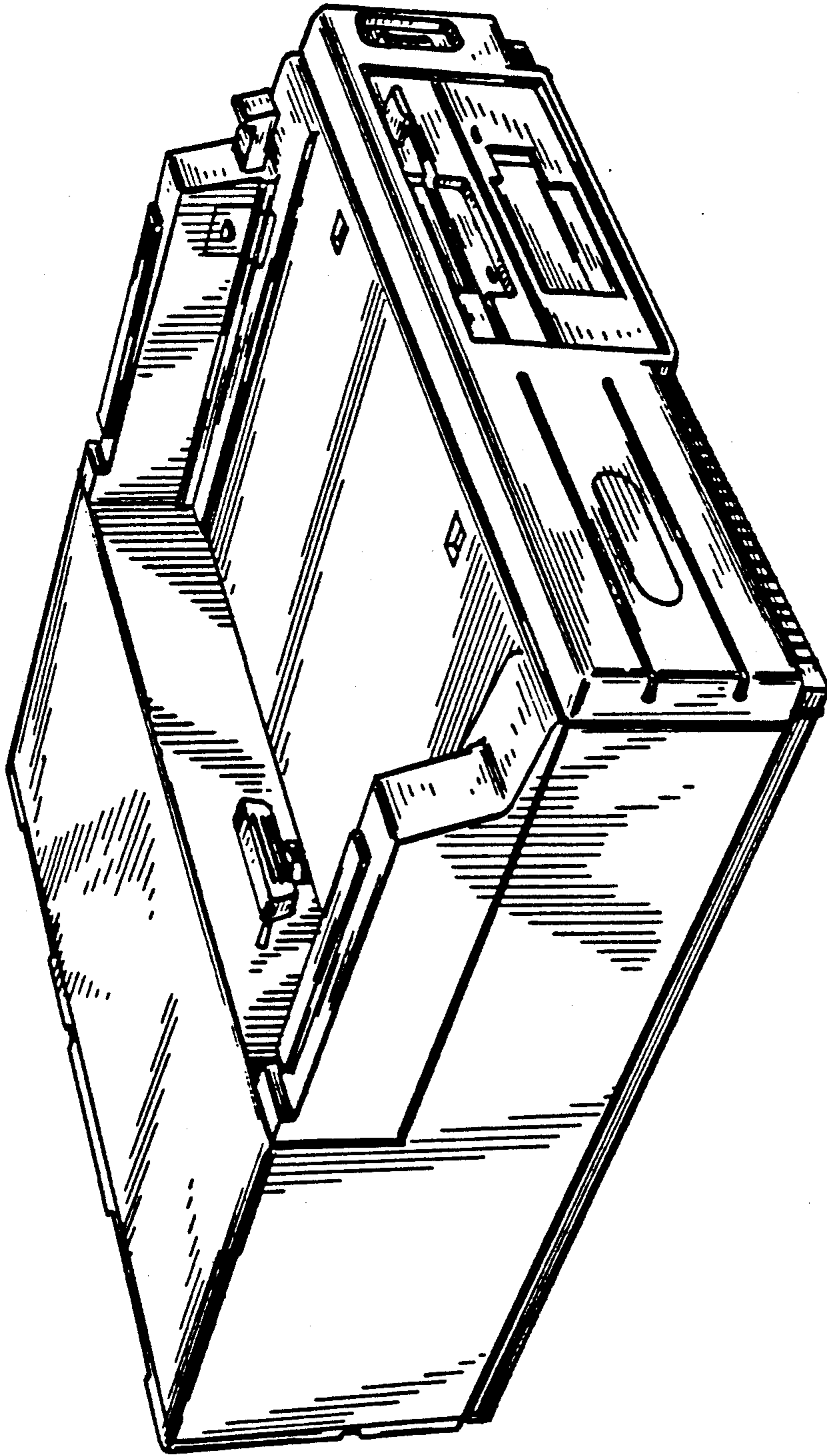


Fig. 5

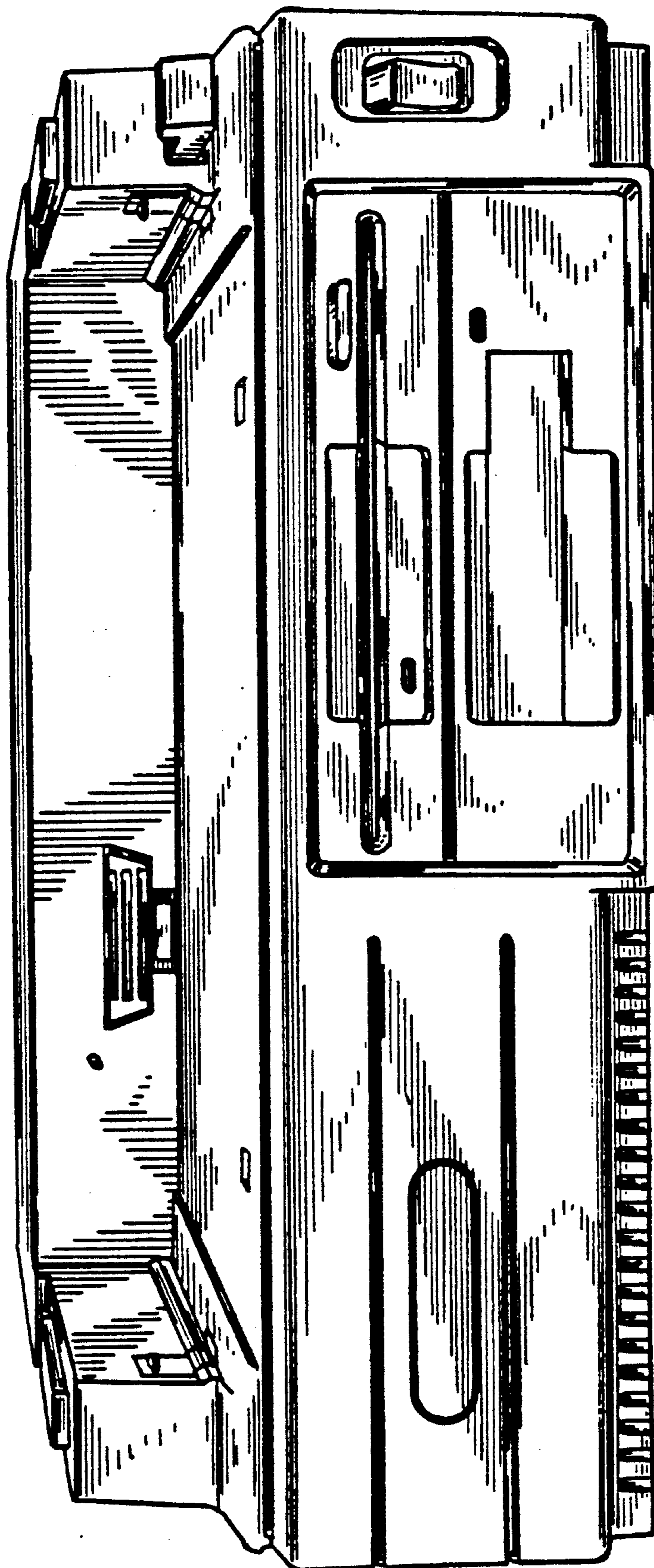


Fig. 6

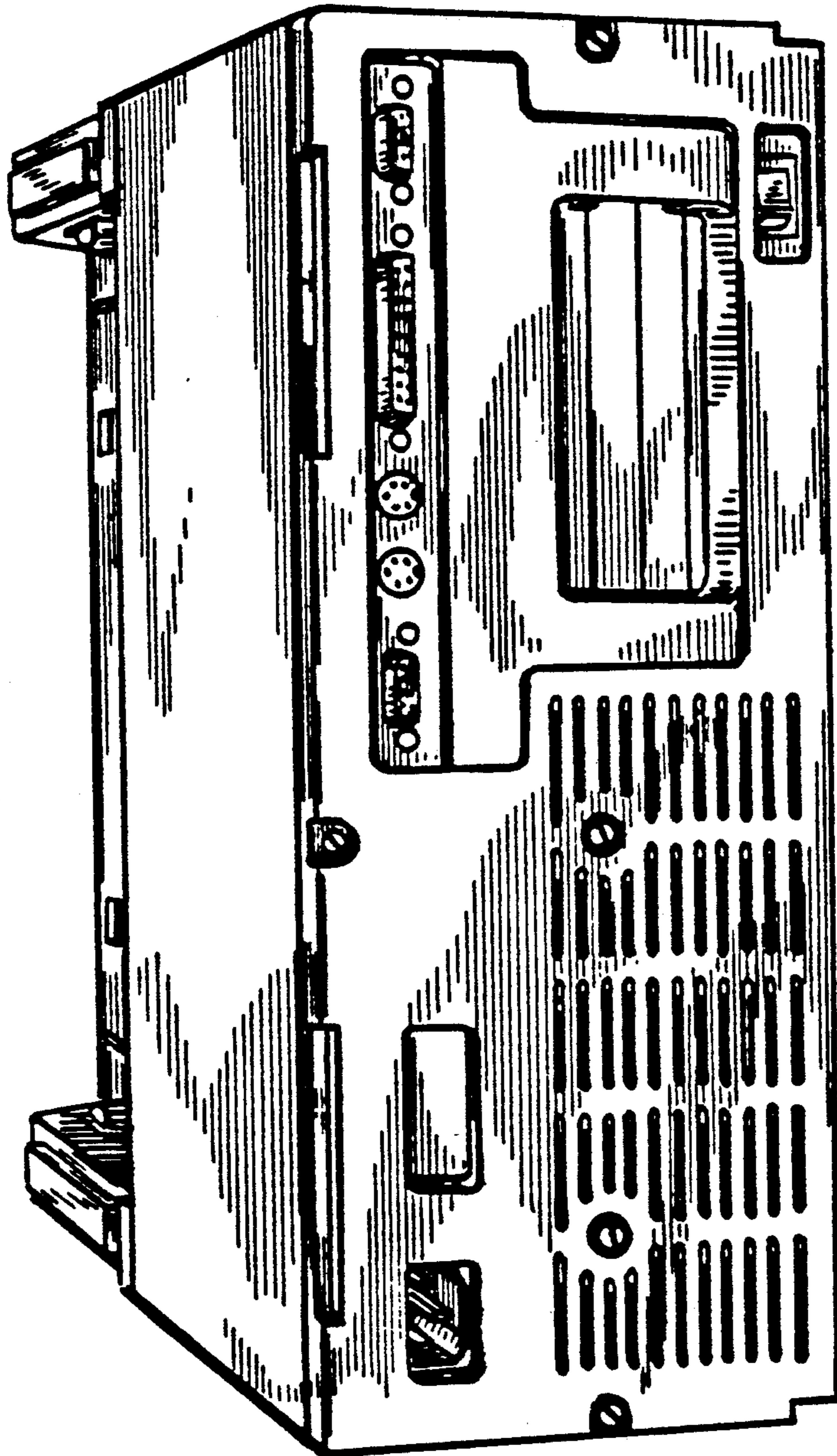


Fig. 7

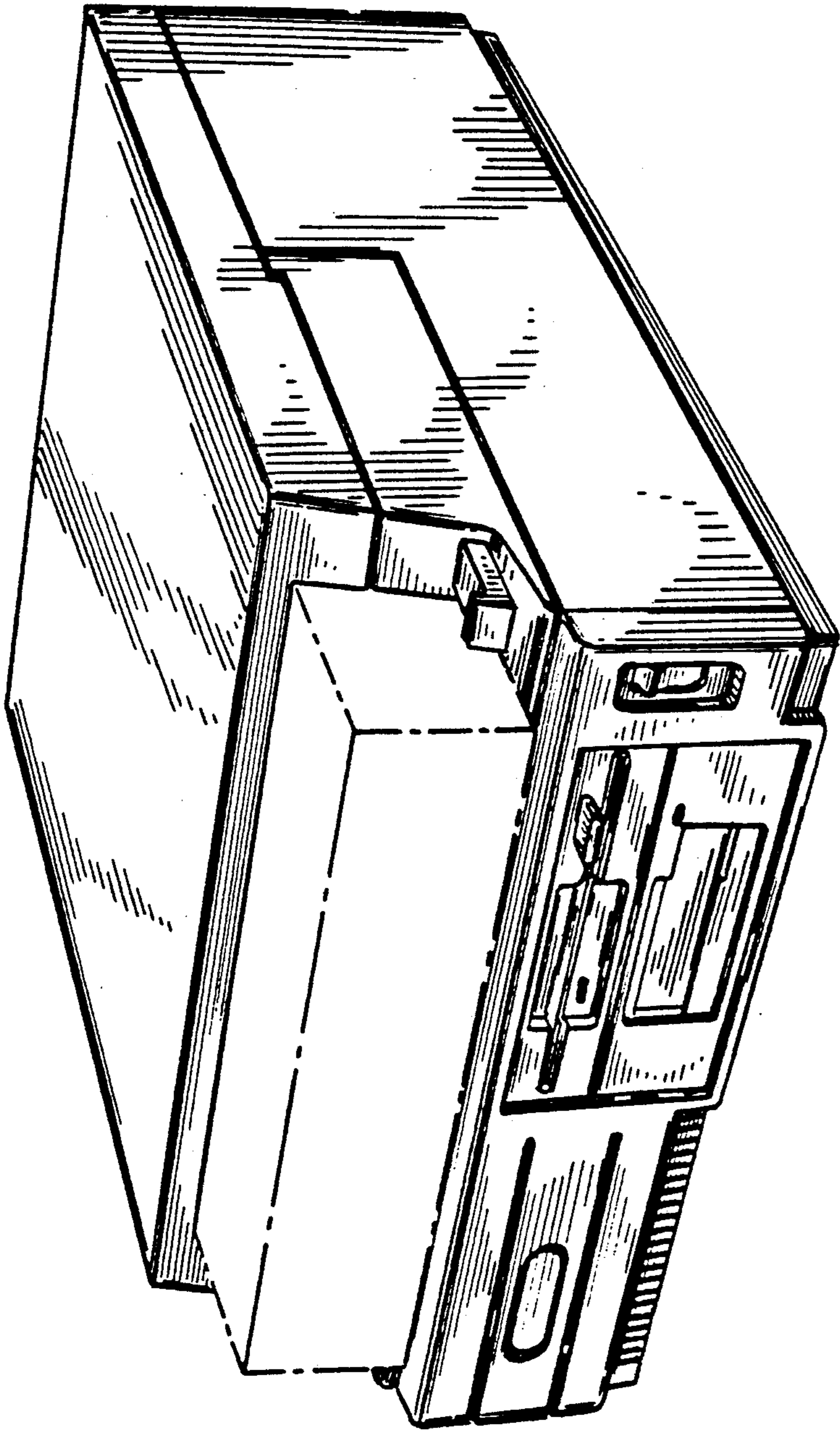


Fig. 8

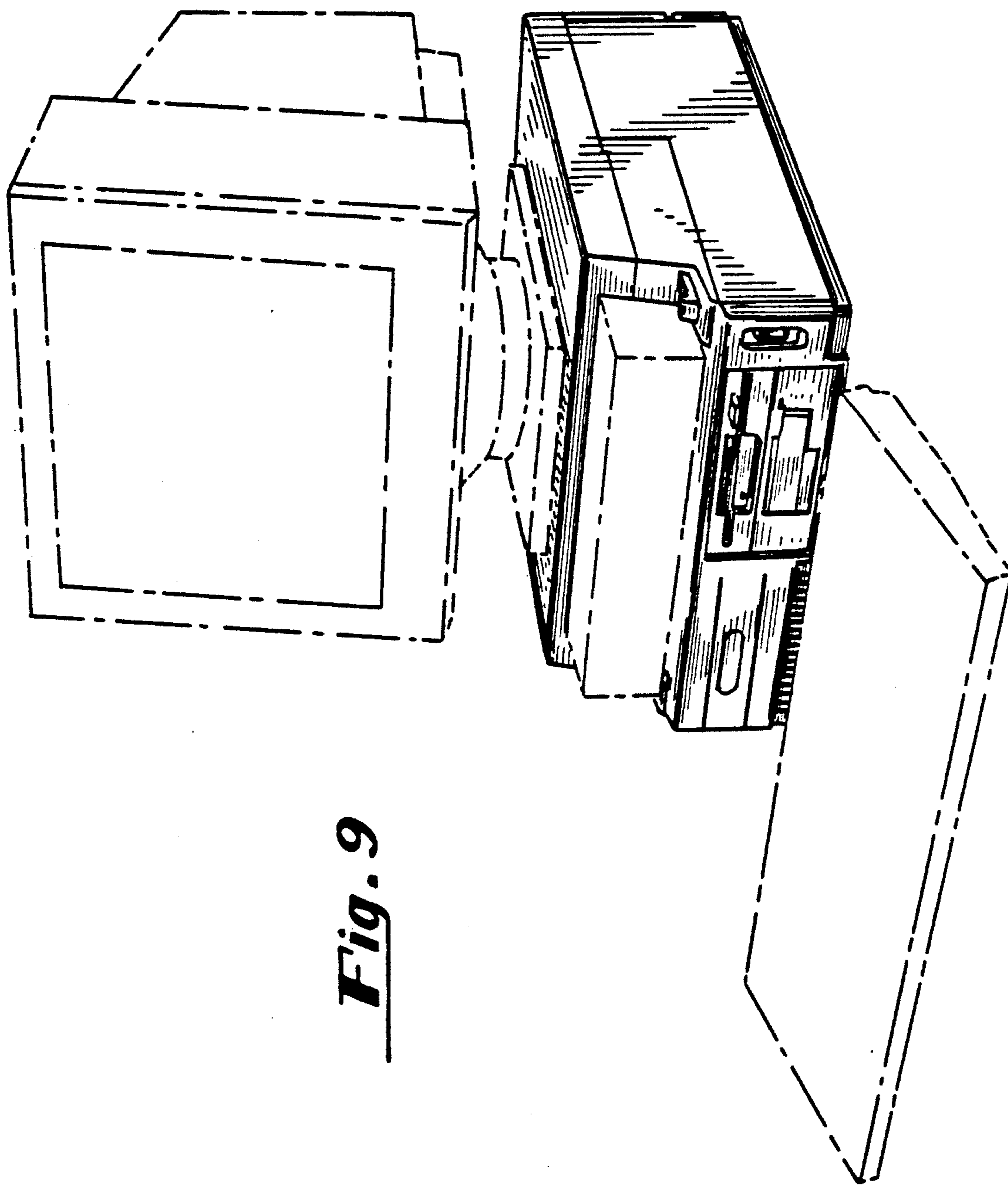


Fig. 9