



US00D335488S

United States Patent [19]

[11] Patent Number: **Des. 335,488**

Suzuki et al.

[45] Date of Patent: **** May 11, 1993**

[54] ELECTRONIC TRIP RELAY

[75] Inventors: **Masakatsu Suzuki**, Kamakura; **Kazuhiro Ishii**, Fukuyama; **Shingo Akita**, Fukuyama; **Koji Hirotsune**, Fukuyama; **Ichiro Arinobu**, Fukuyama, all of Japan

[73] Assignee: **Mitsubishi Denki Kabushiki Kaisha**, Tokyo, Japan

[**] Term: **14 Years**

[21] Appl. No.: **815,370**

[22] Filed: **Dec. 31, 1991**

[30] Foreign Application Priority Data

Jul. 1, 1991 [JP] Japan 3-19740

[52] U.S. Cl. **D13/159; D13/160**

[58] Field of Search **D13/159, 160, 162, 164; 200/144 R; 361/95, 96; 335/18, 132; 337/6, 46, 49, 107, 151, 154**

[56] References Cited

U.S. PATENT DOCUMENTS

3,983,460 9/1976 Kuhn et al. 361/357 X
4,692,838 9/1987 Merchant 361/380

OTHER PUBLICATIONS

"Mitsubishi Low-Voltage Air Circuit Breakers", published by Mitsubishi Denki Kabushiki Kaisha, Jan. 1984.

Primary Examiner—Wallace R. Burke
Assistant Examiner—Joel Sincavage
Attorney, Agent, or Firm—Burns, Doane, Swecker & Mathis

[57] CLAIM

The ornamental design for an electronic trip relay, as shown and described.

DESCRIPTION

FIG. 1 is a front and upper right perspective view of an electronic trip relay showing our new design; FIG. 2 is a rear and lower left perspective view thereof; FIG. 3 is a front elevational view thereof; FIG. 4 is a top plan view thereof; FIG. 5 is a bottom plan view thereof; FIG. 6 is a rear elevational view thereof; FIG. 7 is a right side elevational view thereof; FIG. 8 is a left side elevational view thereof; and, FIG. 9 is a front and upper right perspective view thereof shown with the transparent cover in the open position.

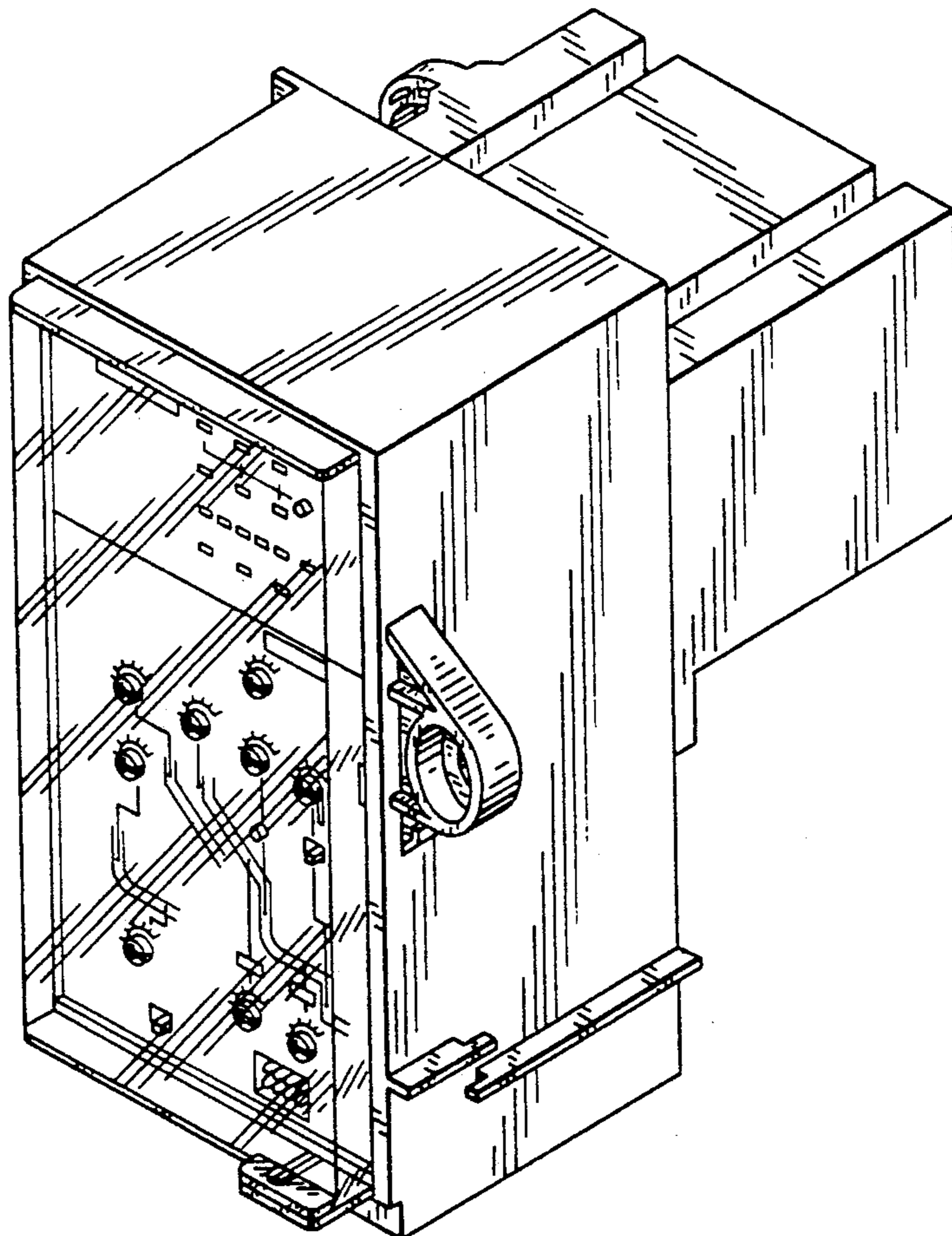


FIG. 1

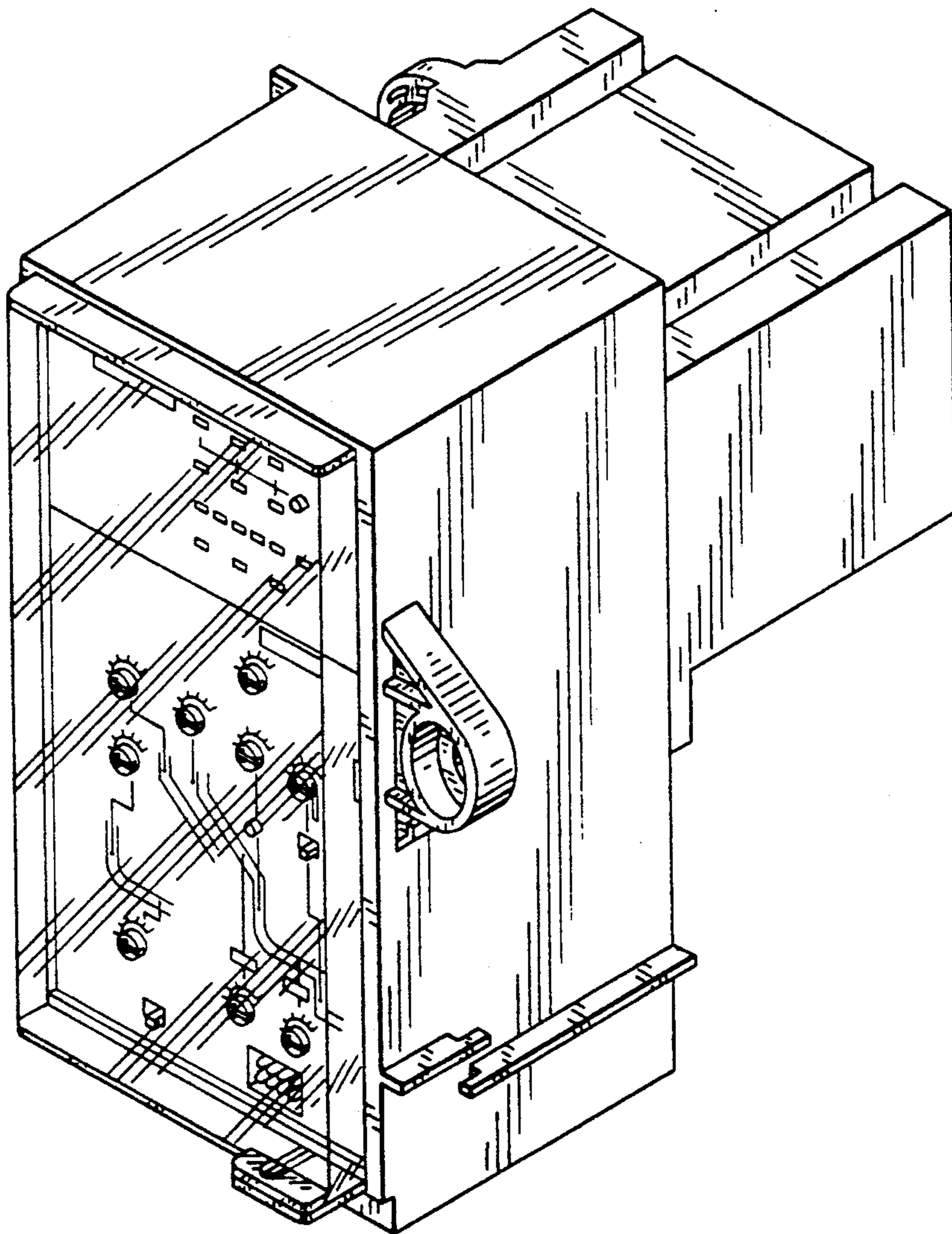
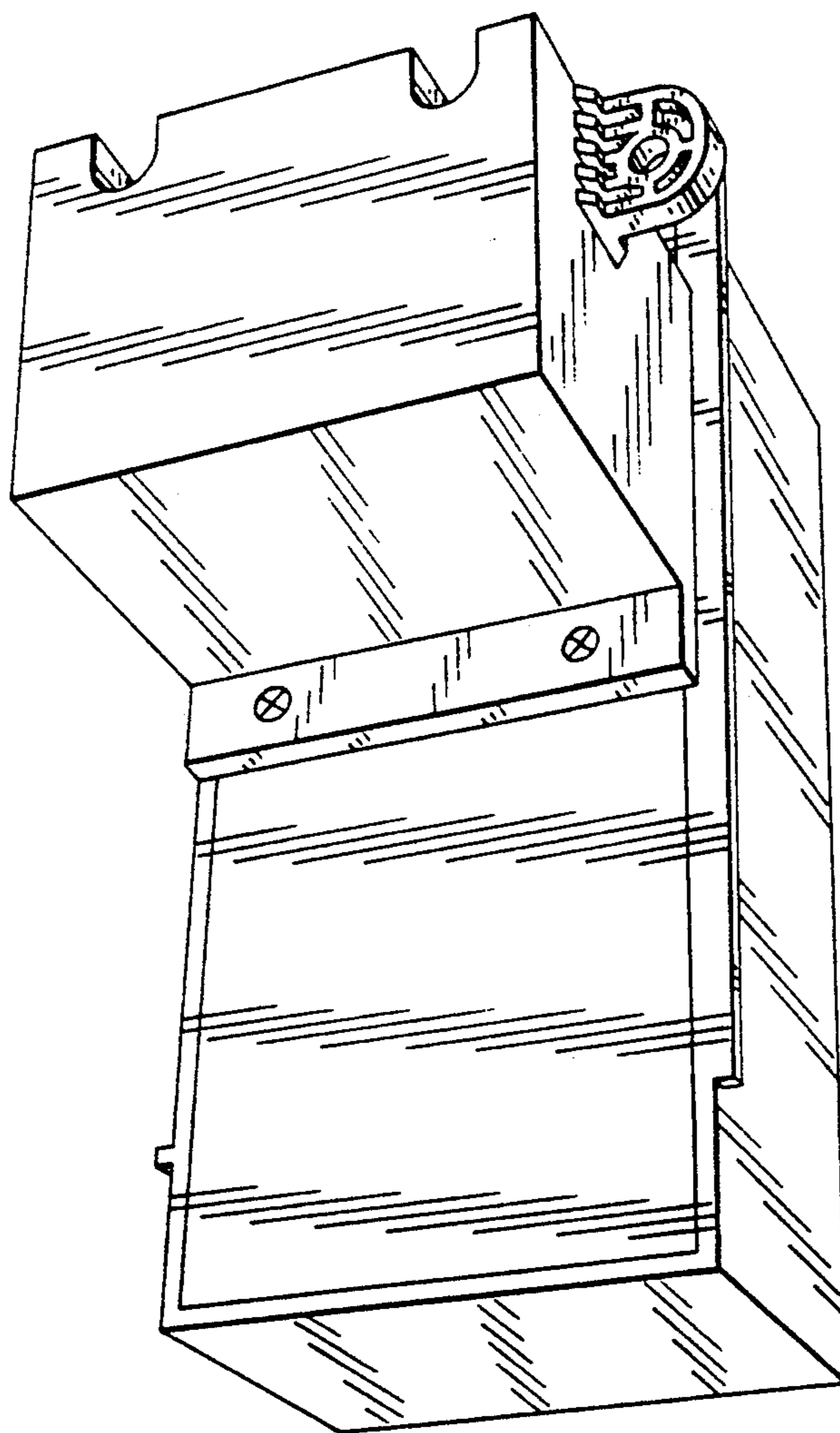


FIG. 2



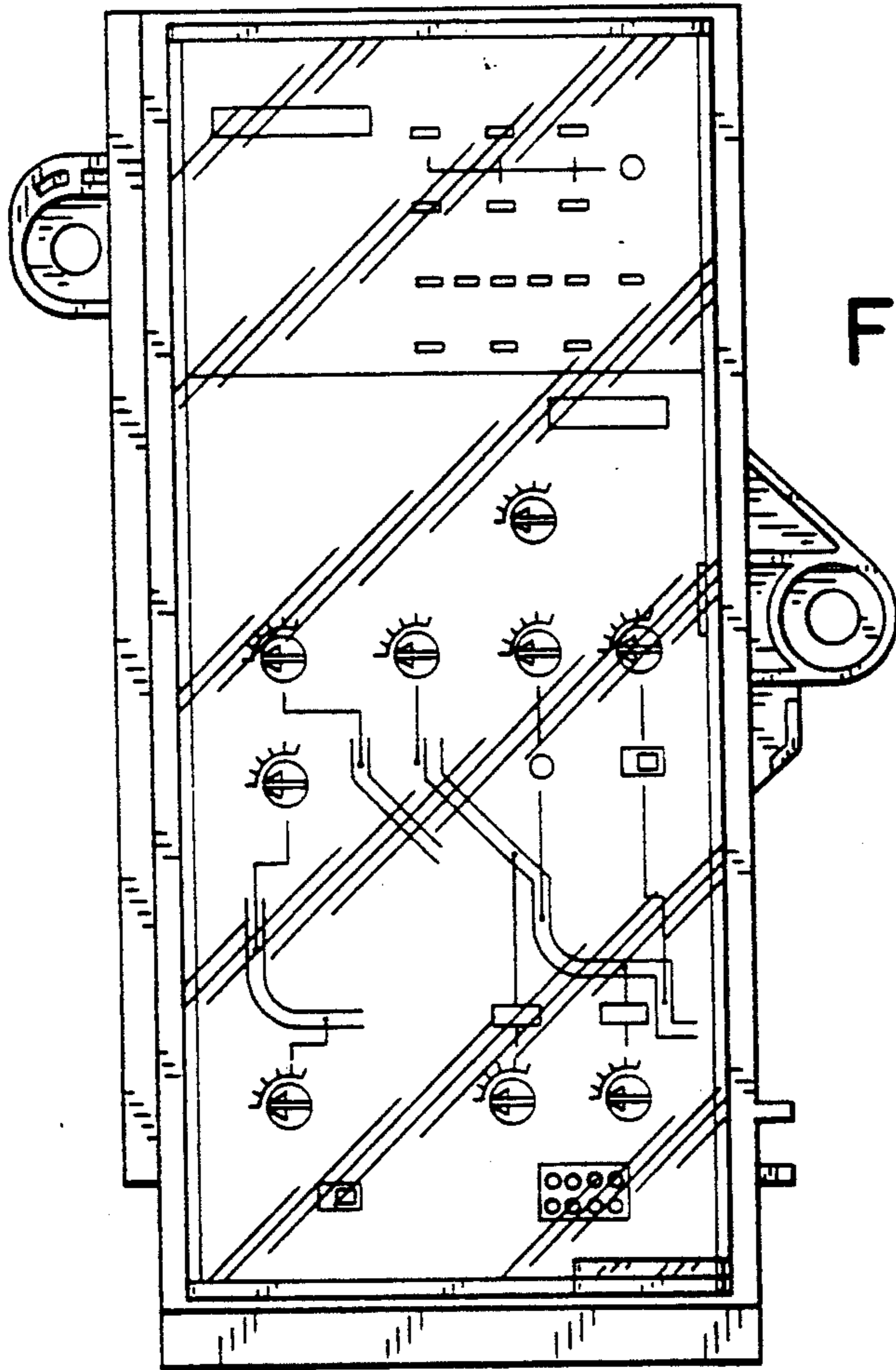


FIG. 3

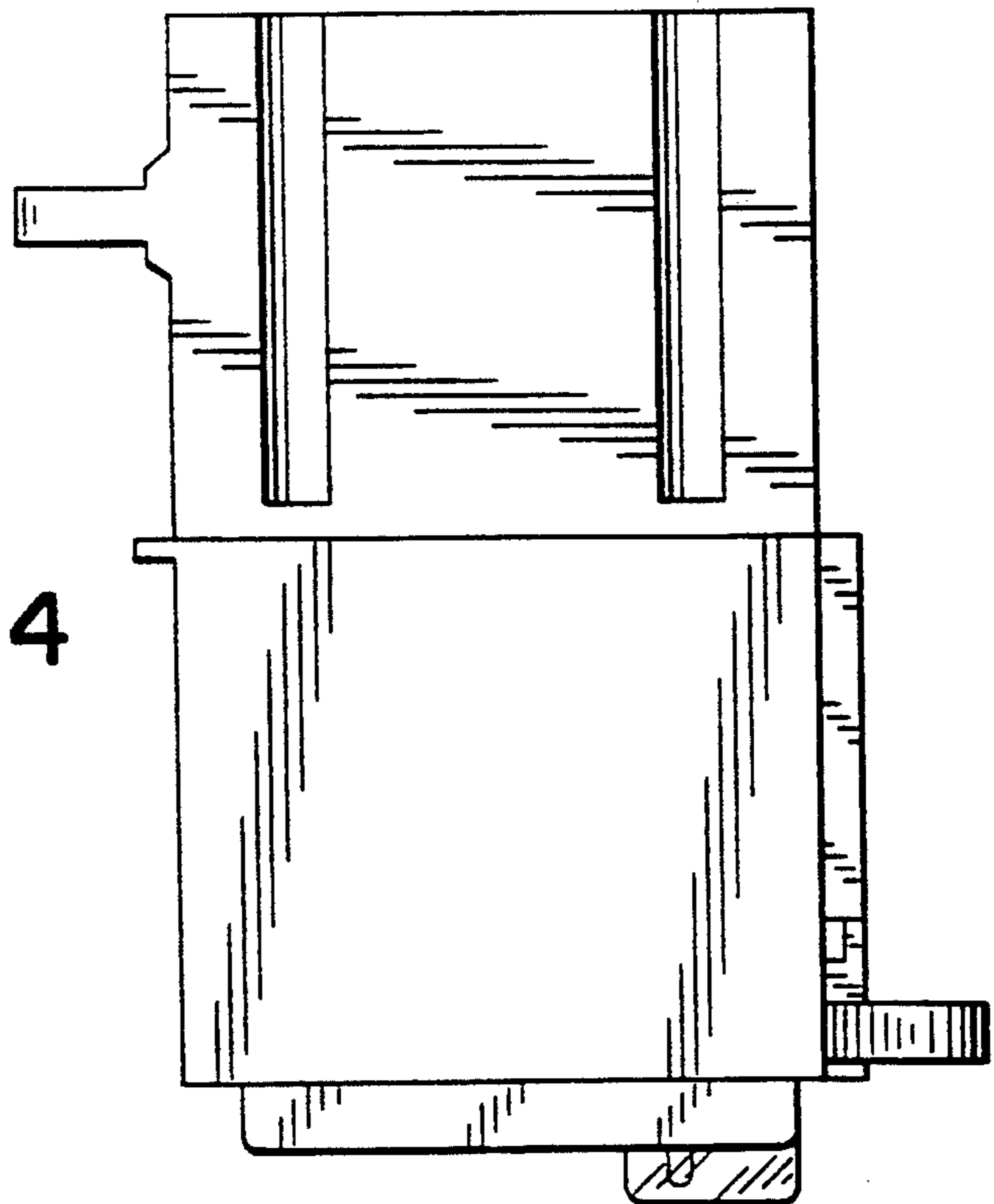


FIG. 4

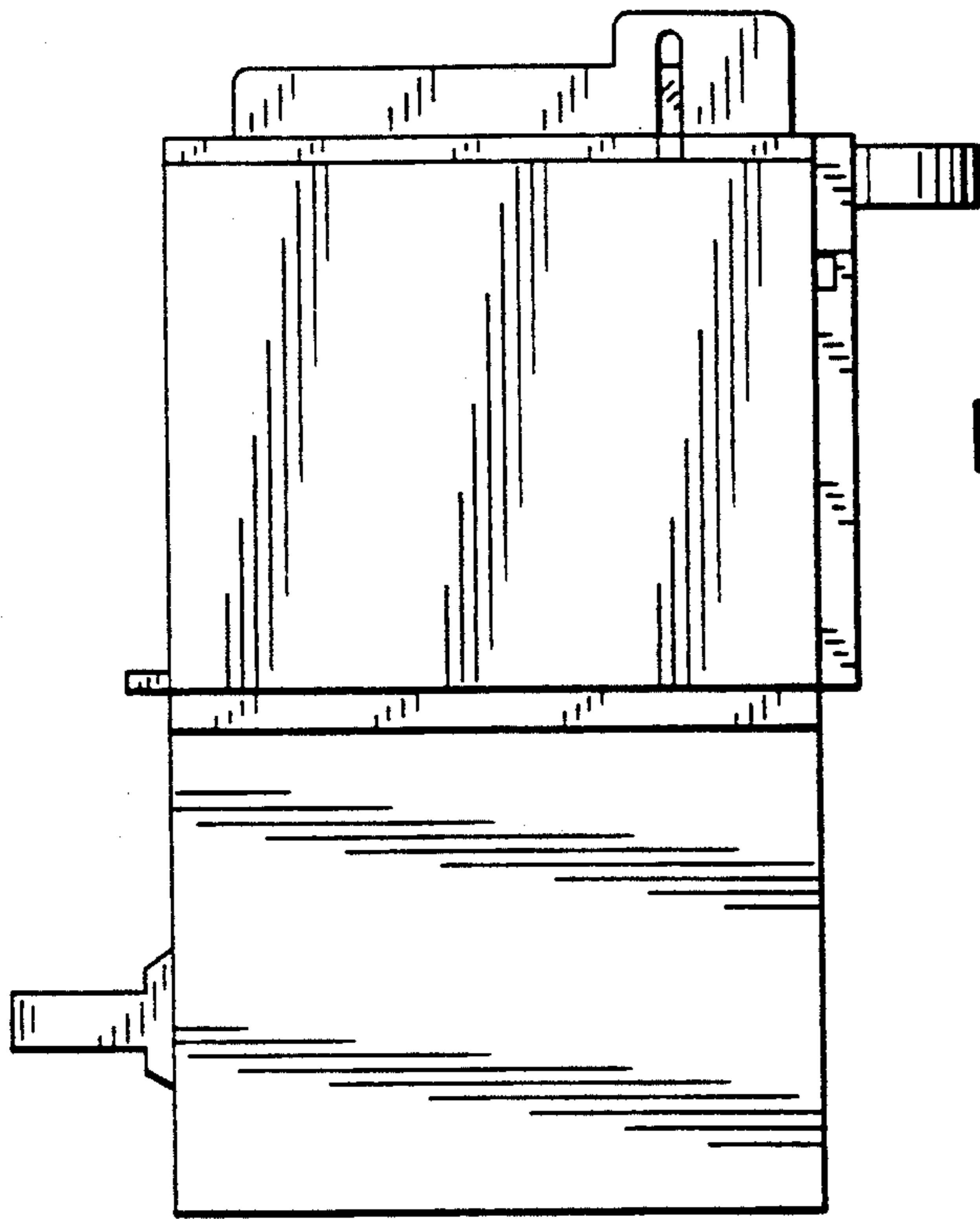


FIG. 5

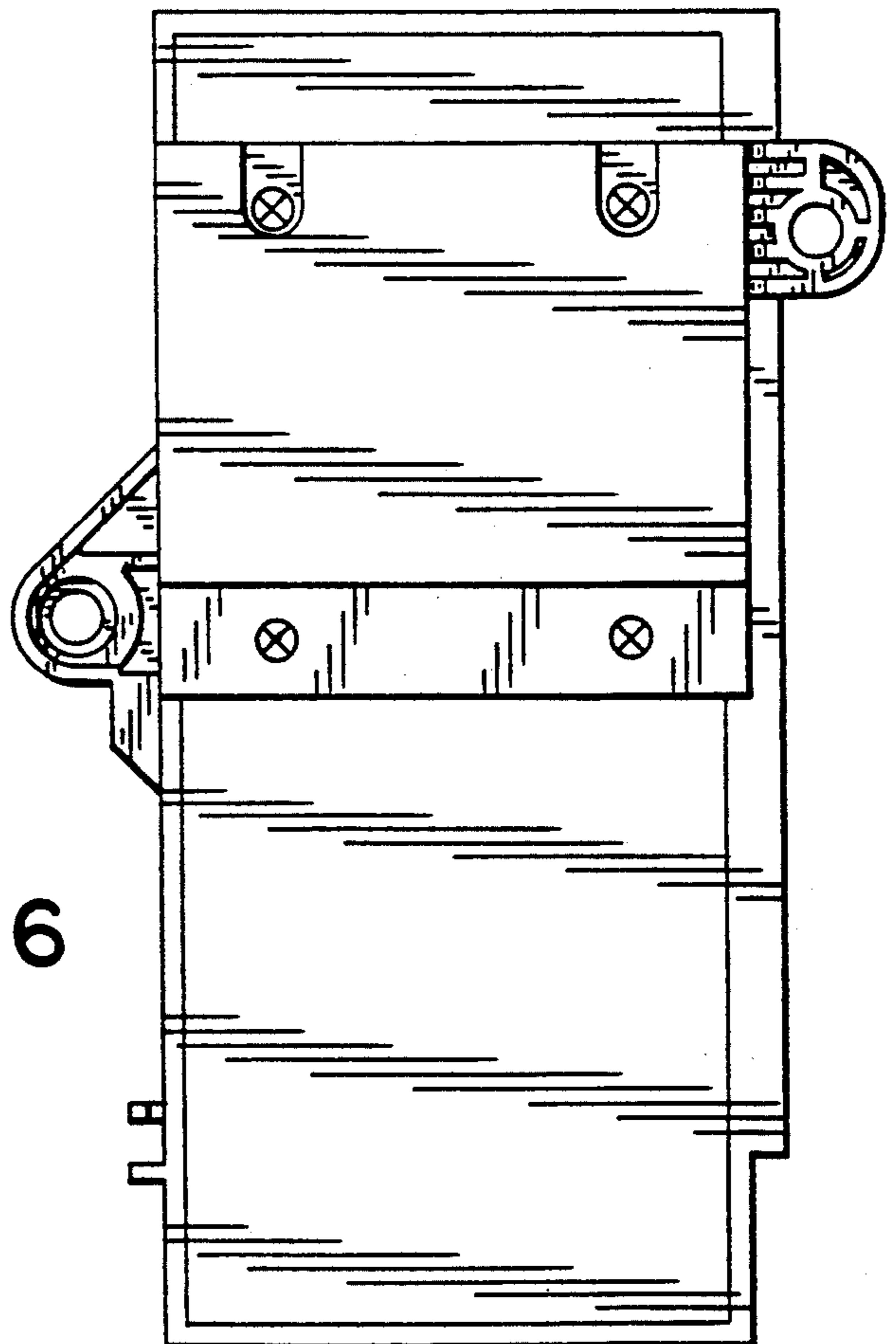


FIG. 6

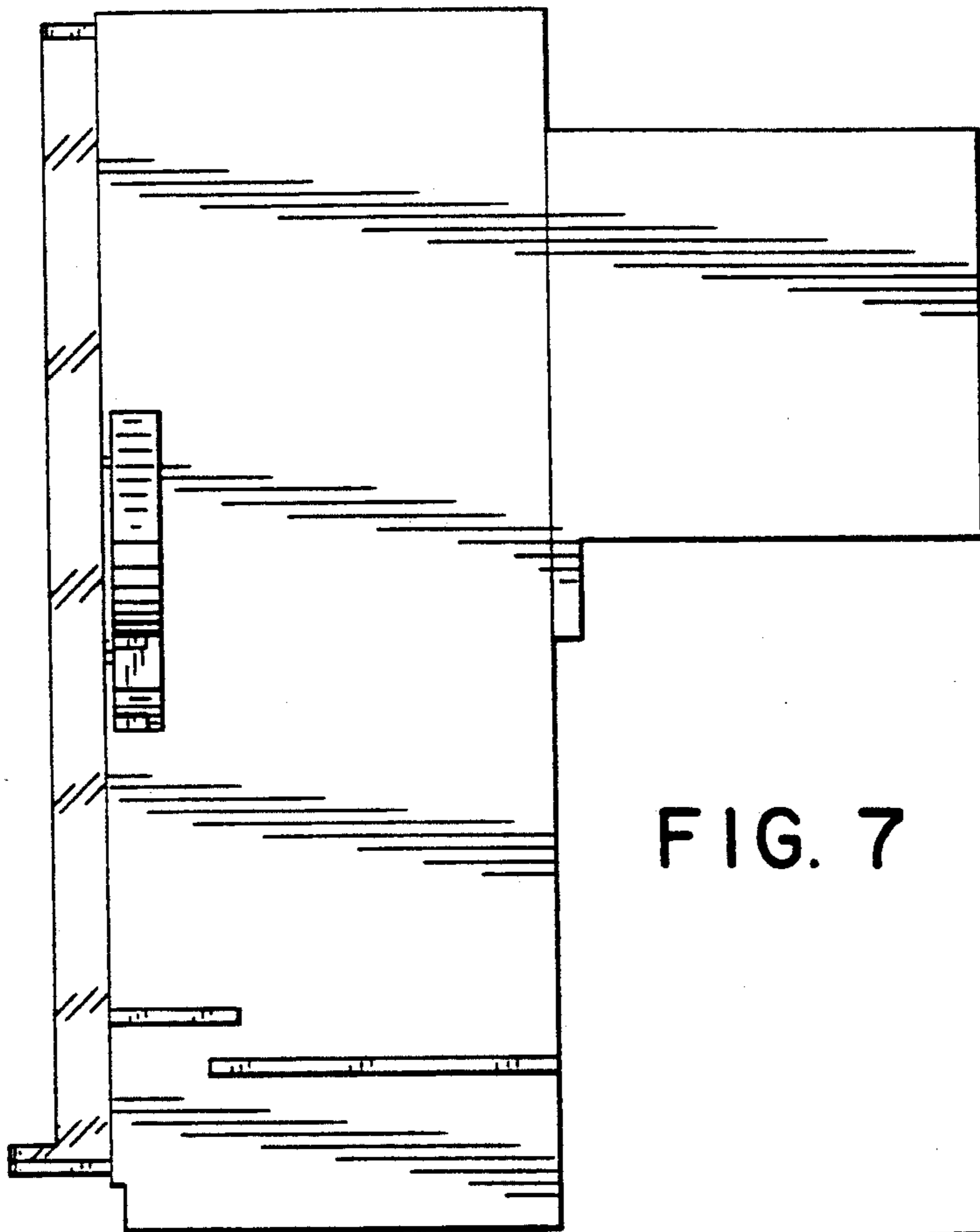


FIG. 7

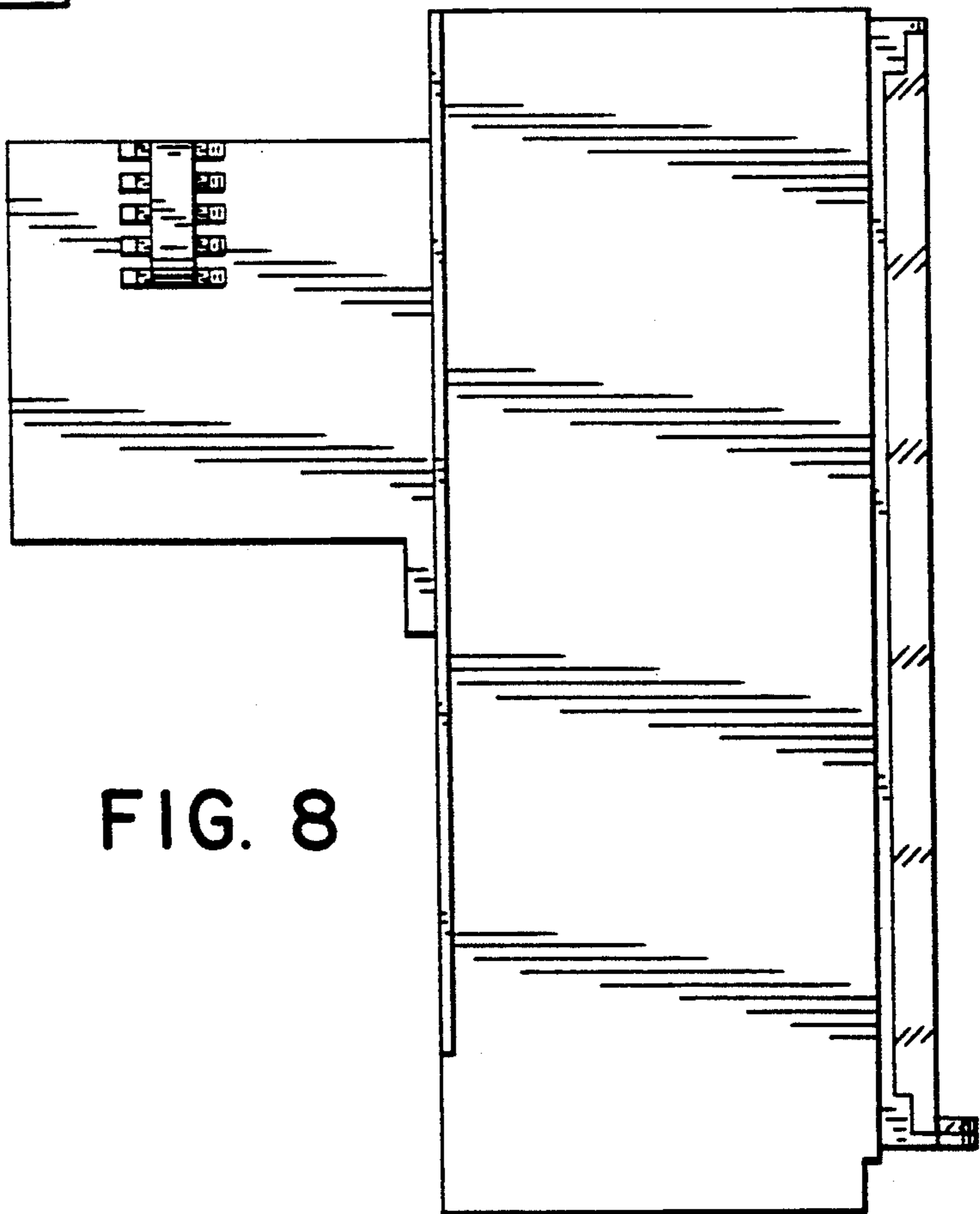


FIG. 8

FIG. 9

