



US00D335483S

United States Patent [19]

[11] Patent Number: **Des. 335,483**

Cusimano, II et al.

[45] Date of Patent: **** May 11, 1993**

[54] **TIRE**

[75] Inventors: **Fred J. Cusimano, II; James G. Guspodin**, both of Akron; **Daniel P. Dougherty**, Uniontown, all of Ohio

[73] Assignee: **Bridgestone/Firestone, Inc.**, Akron, Ohio

[**] Term: **14 Years**

[21] Appl. No.: **702,195**

[22] Filed: **May 15, 1991**

[52] U.S. Cl. **D12/147**

[58] Field of Search **D12/141-143, D12/145-151; 152/209 R, 209 B, 209 D**

D. 283,501 4/1986 Hitzky D12/147
 D. 295,398 4/1988 Sedlack D12/147
 D. 313,211 12/1990 Minamitani et al. D12/147
 D. 316,388 4/1991 Wallet et al. D12/147
 D. 320,969 10/1991 Kobayashi et al. D12/147
 D. 328,271 7/1992 Guspodin et al. D12/147

Primary Examiner—James M. Gandy
Attorney, Agent, or Firm—David A. Thomas

[57] CLAIM

The ornamental design for a tire, as shown and described.

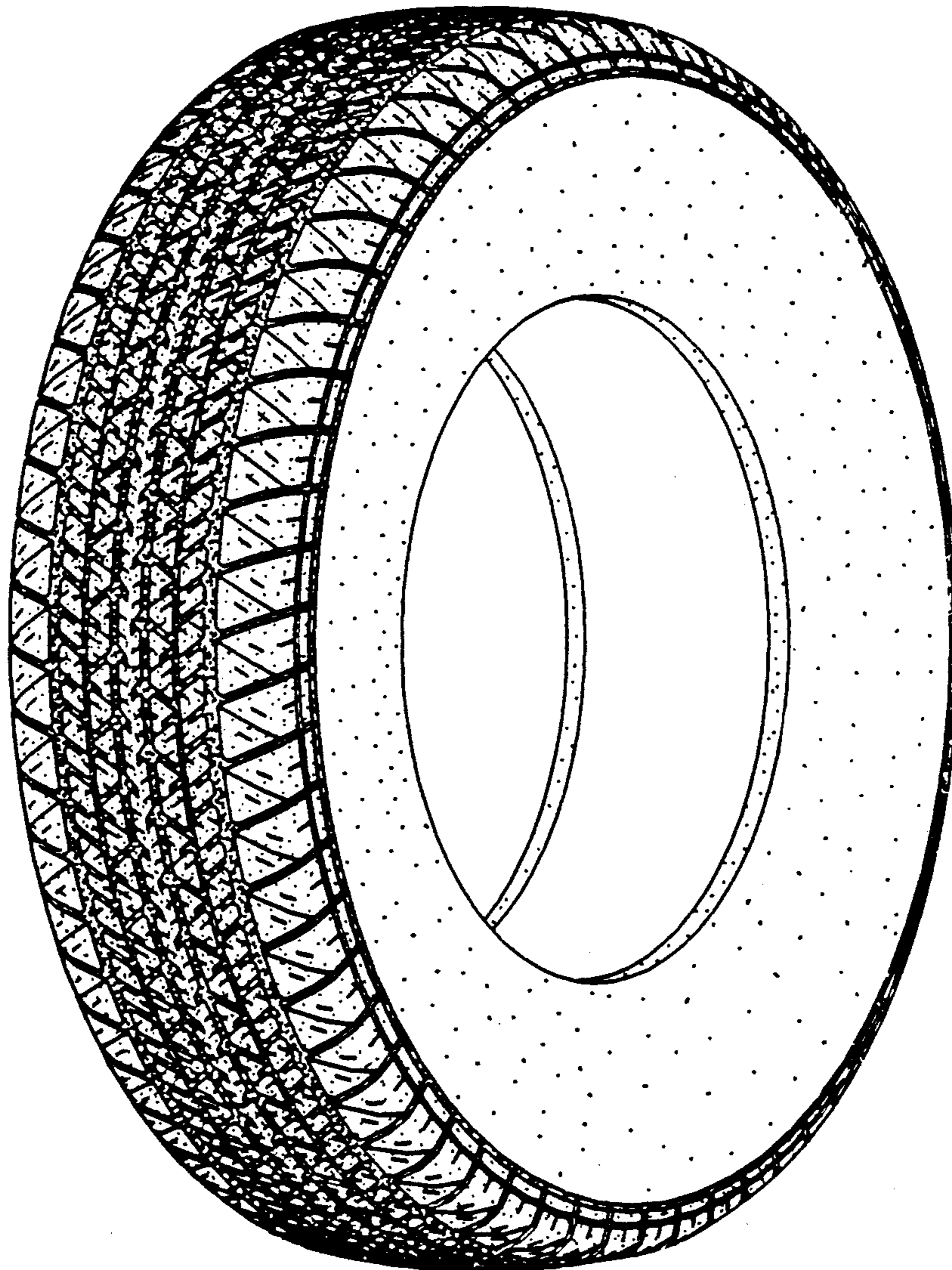
DESCRIPTION

FIG. 1 is a perspective view of a tire embodying our design, it being understood that the tread pattern is repeated throughout the circumference of the tire, the opposite side being substantially the same as that shown; FIG. 2 is a front elevational view thereof; and, FIG. 3 is a side elevational view thereof.

[56] References Cited

U.S. PATENT DOCUMENTS

D. 279,365 6/1985 Takehara D12/147
 D. 279,366 6/1985 Takehara D12/147



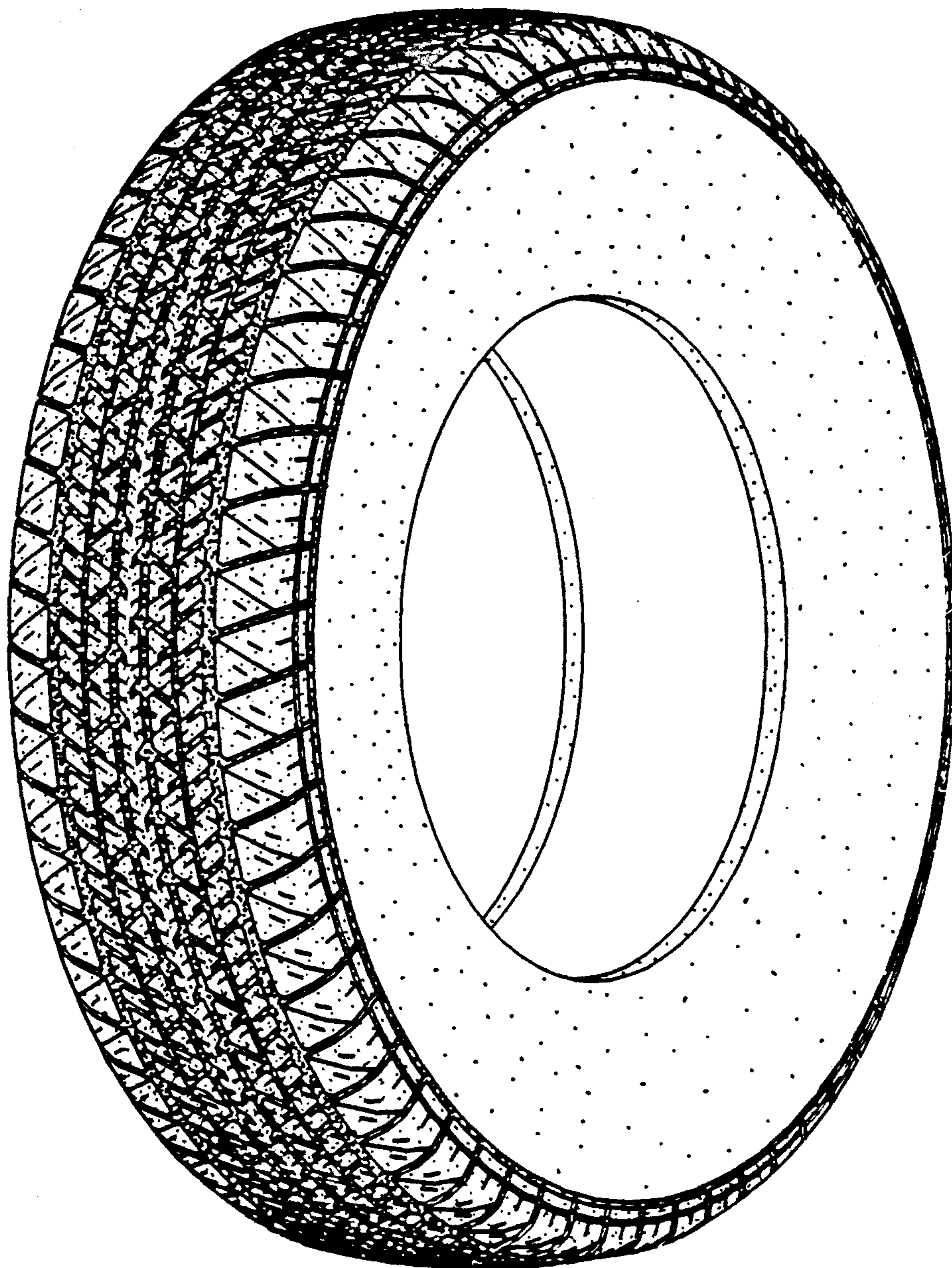


FIG. 1

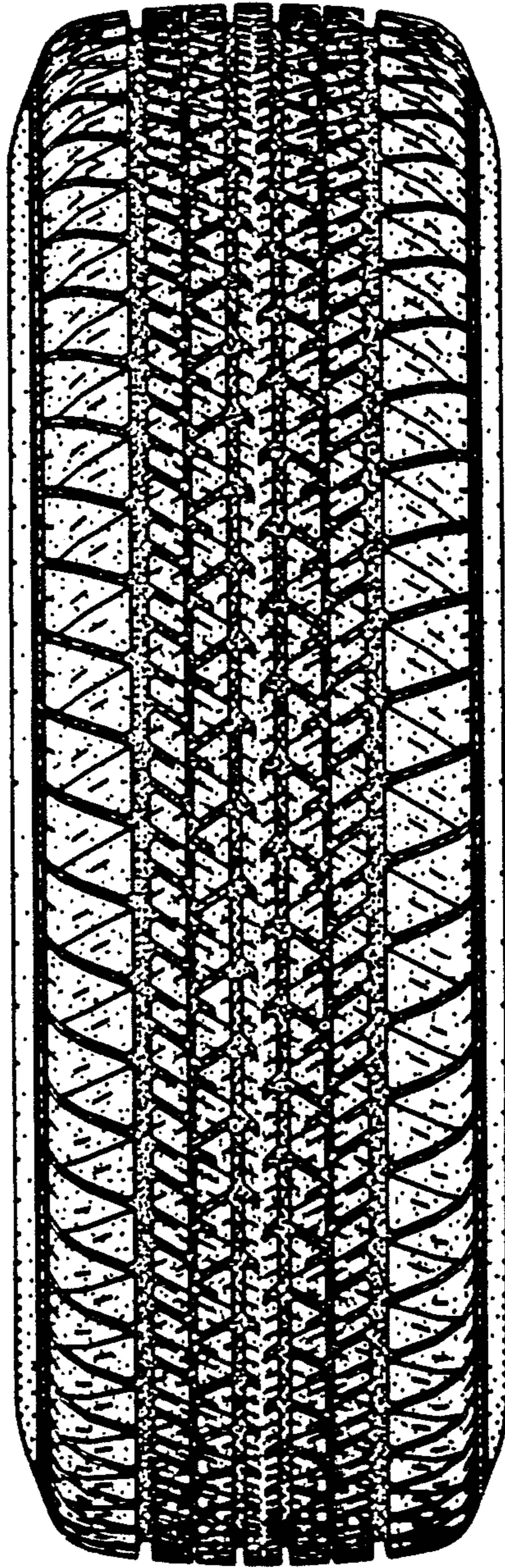


FIG. 2

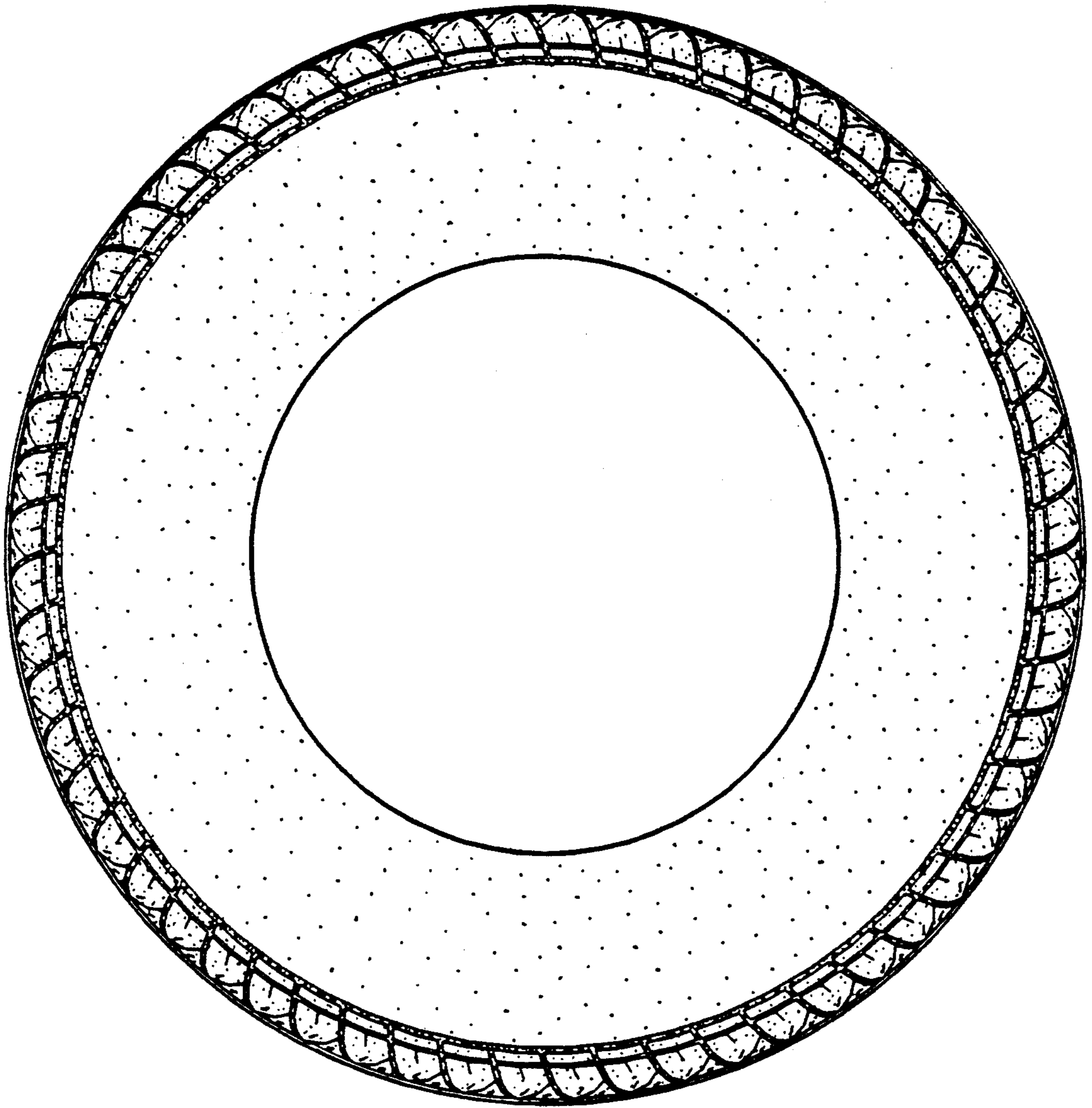


FIG. 3