



US00D335480S

United States Patent [19]

[11] Patent Number: **Des. 335,480**

Creech, Jr.

[45] Date of Patent: **** May 11, 1993**

[54] VEHICLE REAR VIEW MIRROR

[76] Inventor: **Edward D. Creech, Jr.**, P.O. Box 17,
Bloomington, Ga. 31302

[**] Term: **14 Years**

[21] Appl. No.: **677,875**

[22] Filed: **Apr. 1, 1991**

[52] U.S. Cl. **D12/187**

[58] Field of Search **D12/187; 359/838, 841,
359/842, 844, 850, 854, 855, 865, 866, 868, 871,
872, 873, 875, 879, 880, 881**

[56] References Cited

U.S. PATENT DOCUMENTS

4,580,881	4/1986	Kim	359/868
5,081,546	1/1992	Bottrill	359/841

OTHER PUBLICATIONS

J. C. Whitney Catalog No. 515J, p. 81, Outside Rear View Mirror, A, lower left side of page.

Primary Examiner—James M. Gandy
Attorney, Agent, or Firm—Leon Gilden

[57] CLAIM

The ornamental design for a vehicle rear view mirror, as shown.

DESCRIPTION

FIG. 1 is a front elevational view of the vehicle rear view mirror showing my new design;
FIG. 2 is a rear elevational view thereof;
FIG. 3 is a left side elevational view thereof;
FIG. 4 is a right side elevational view thereof;
FIG. 5 is a top plan view thereof; and,
FIG. 6 is a bottom plan view thereof.

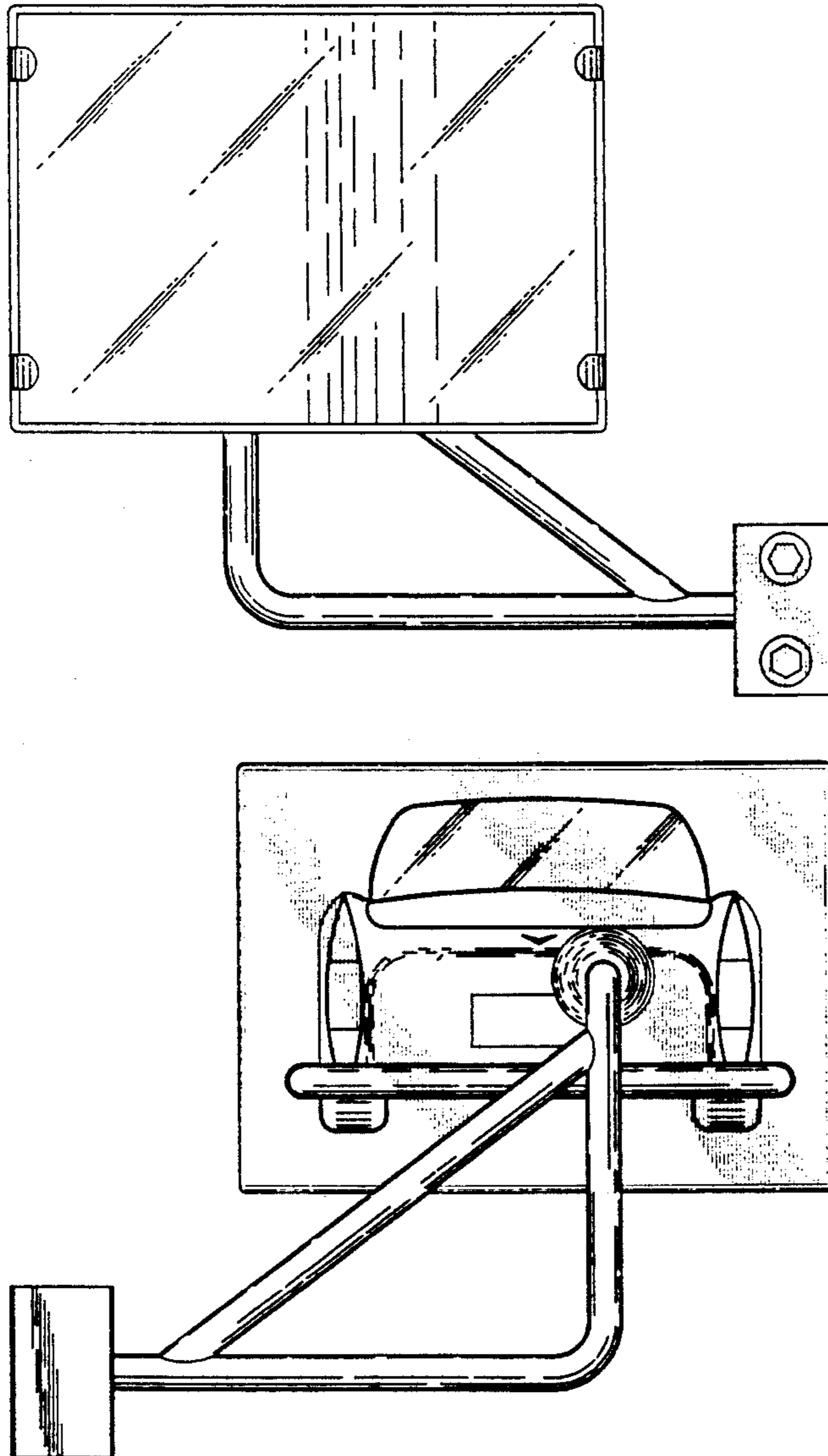


FIG. 1

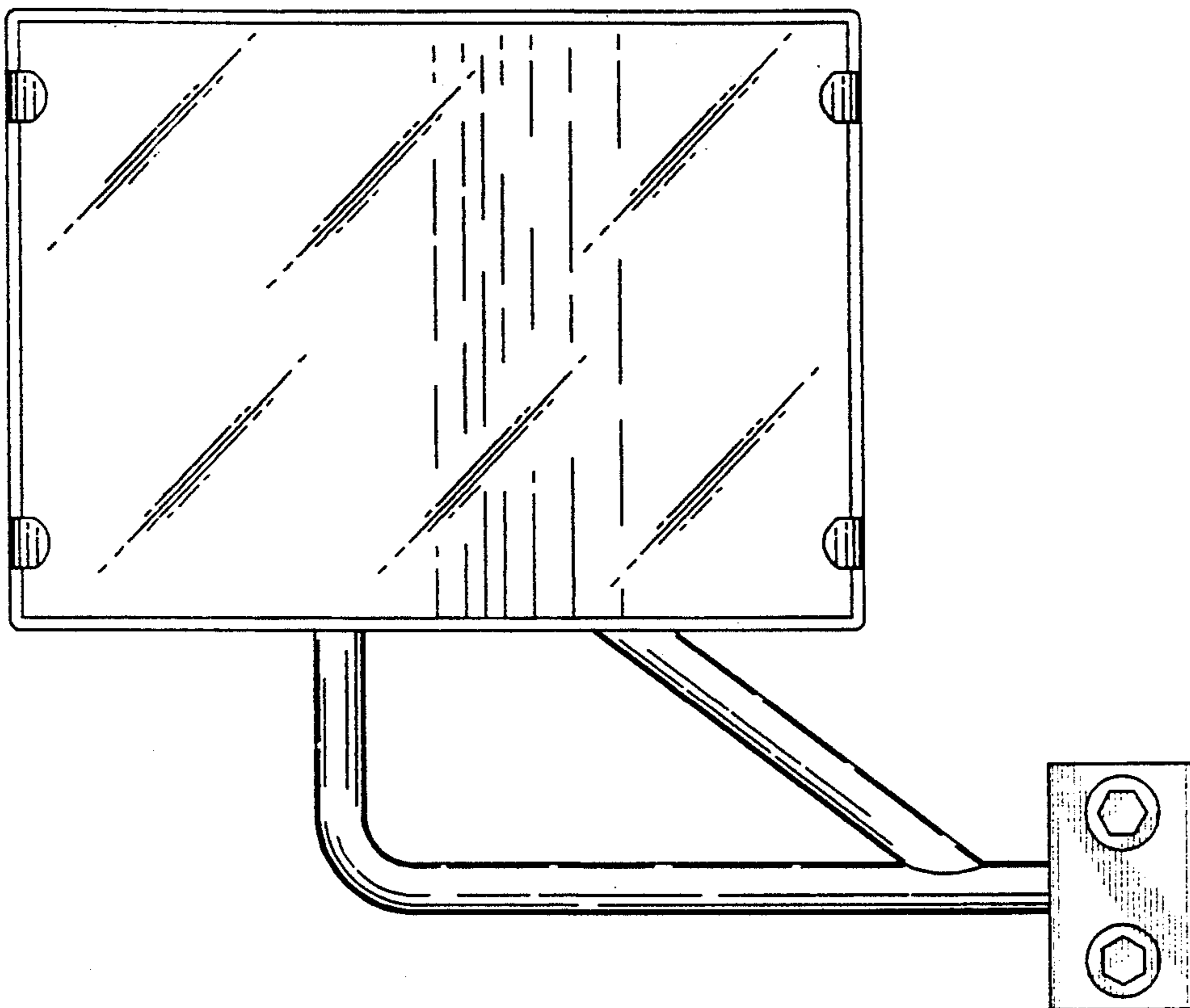


FIG. 2

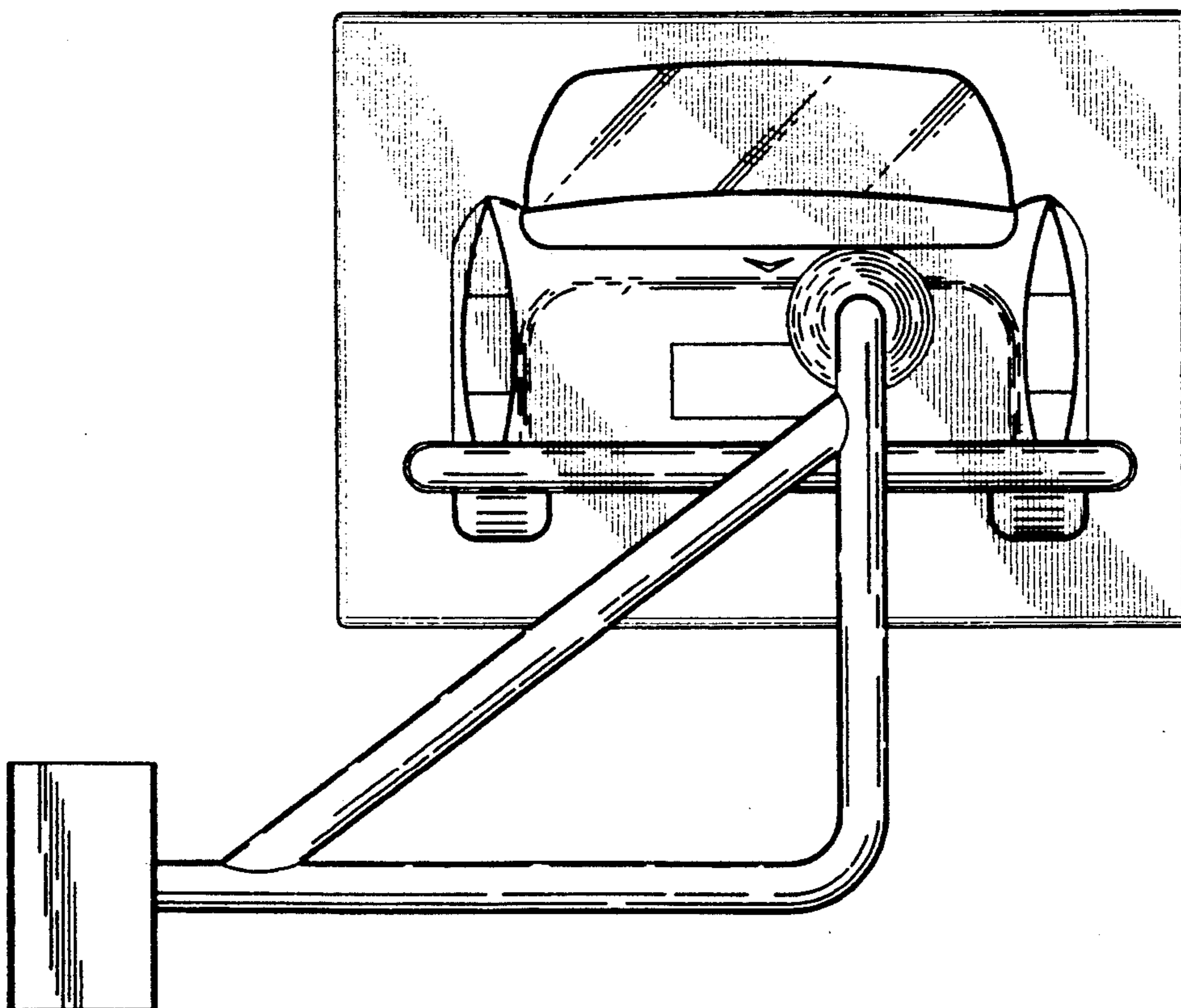


FIG. 3

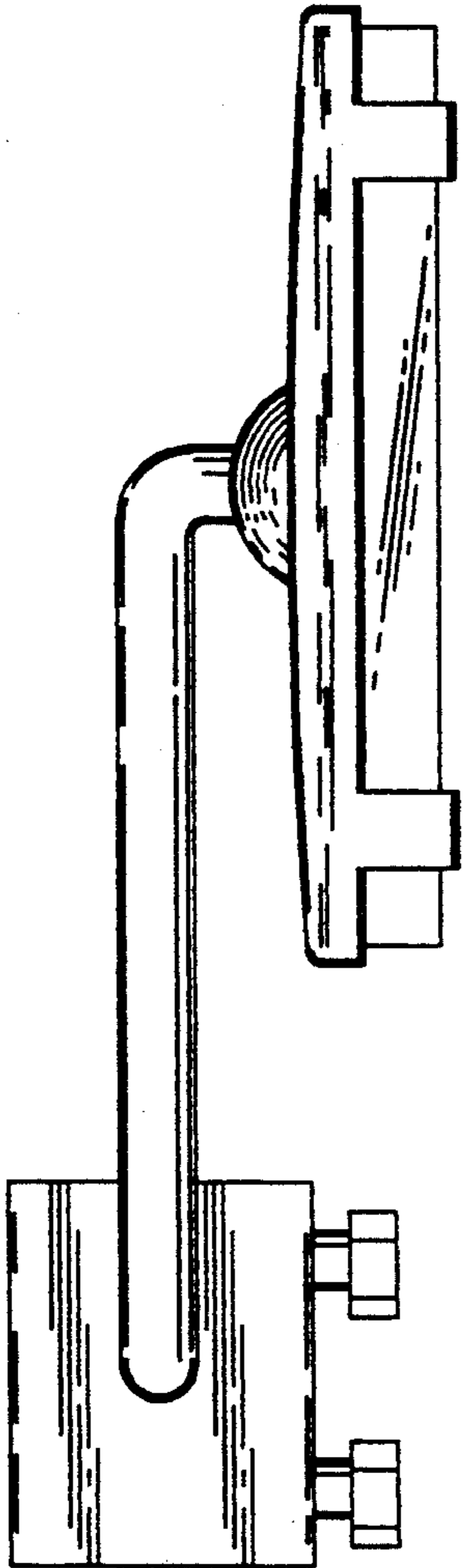


FIG. 4

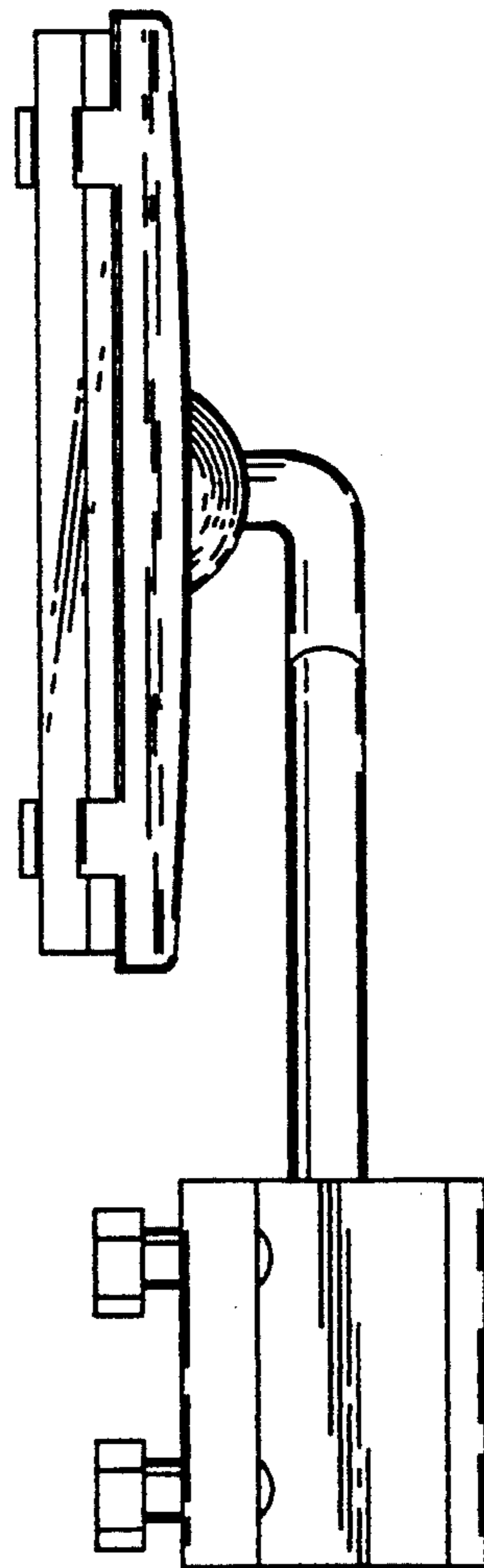


FIG. 5

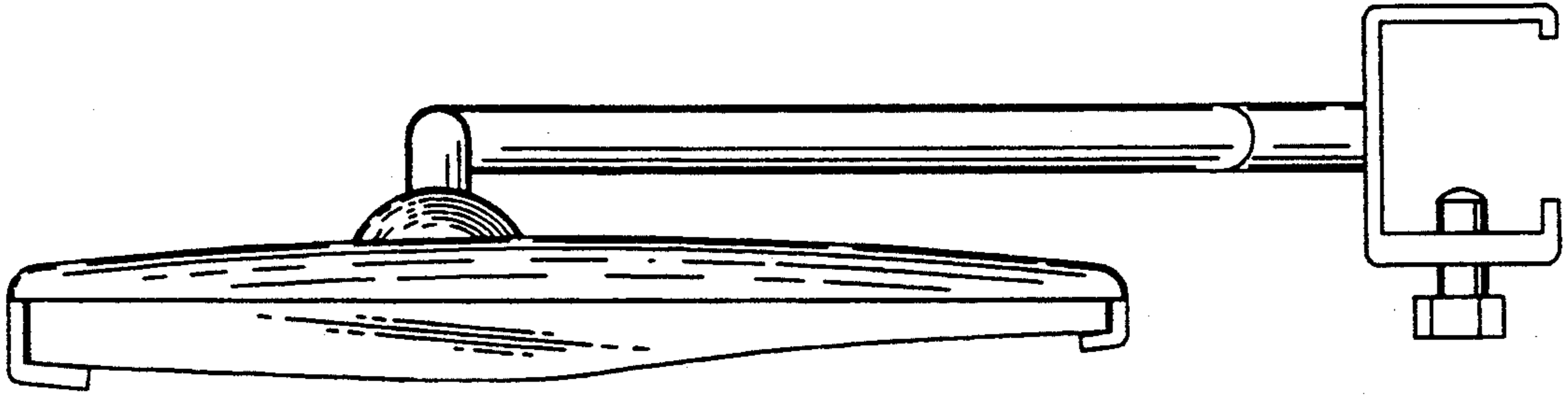


FIG. 6

