



US00D335464S

United States Patent [19]

[11] Patent Number: **Des. 335,464**

Marks

[45] Date of Patent: **** May 11, 1993**

[54] **ANALYTICAL INSTRUMENT FOR TESTING PARAMETERS OF POOL WATER**

D. 316,826	5/1991	Neuman	D10/81
3,381,572	5/1968	Tuwiner	D10/81 X
4,409,182	11/1983	Macklem	422/61
4,454,775	6/1984	Ellis	73/864.51
4,904,605	2/1990	O'Brien et al.	73/864.51 X

[75] Inventor: **Colin E. Marks, Tyne & Wear, England**

[73] Assignee: **Palintest Ltd., Tyne & Wear, England**

[**] Term: **14 Years**

[21] Appl. No.: **528,740**

[22] Filed: **May 24, 1990**

[30] **Foreign Application Priority Data**

Nov. 28, 1989 [GB] United Kingdom 2002952

[52] U.S. Cl. **D10/81**

[58] Field of Search D10/81; 436/169; 73/864.51; 422/55, 102, 61, 104; 356/419, 414, 58, 61

[56] **References Cited**

U.S. PATENT DOCUMENTS

D. 256,567	8/1980	Voss et al.	D10/81
D. 282,644	2/1986	Collister	D10/81
D. 308,833	6/1990	Mowka, Jr.	D10/81

Primary Examiner—Stella Reid
Assistant Examiner—I. Simmons
Attorney, Agent, or Firm—Rodman & Rodman

[57] **CLAIM**

The ornamental design for an analytical instrument for testing parameters of pool water, as shown and described.

DESCRIPTION

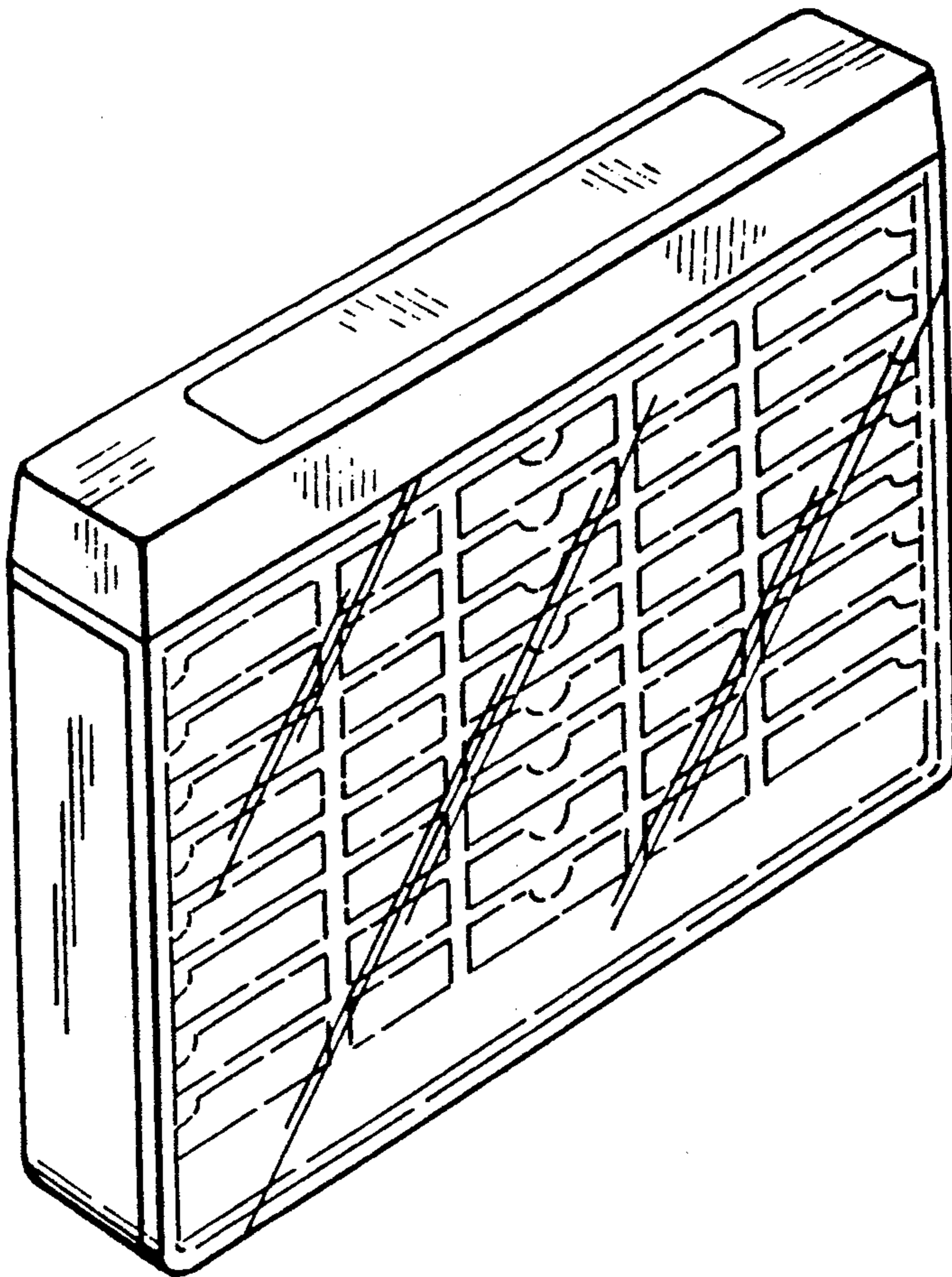
FIG. 1 is a front perspective view of an analytical instrument for testing parameters of pool water, showing our new design;

FIG. 2 is a rear perspective view thereof;

FIG. 3 is a front perspective view thereof, with the top in open position; and,

FIG. 4 is a rear perspective view thereof.

The bottom plan view of the analytical instrument for testing parameters of pool water, which is not disclosed is plain and unornamented.



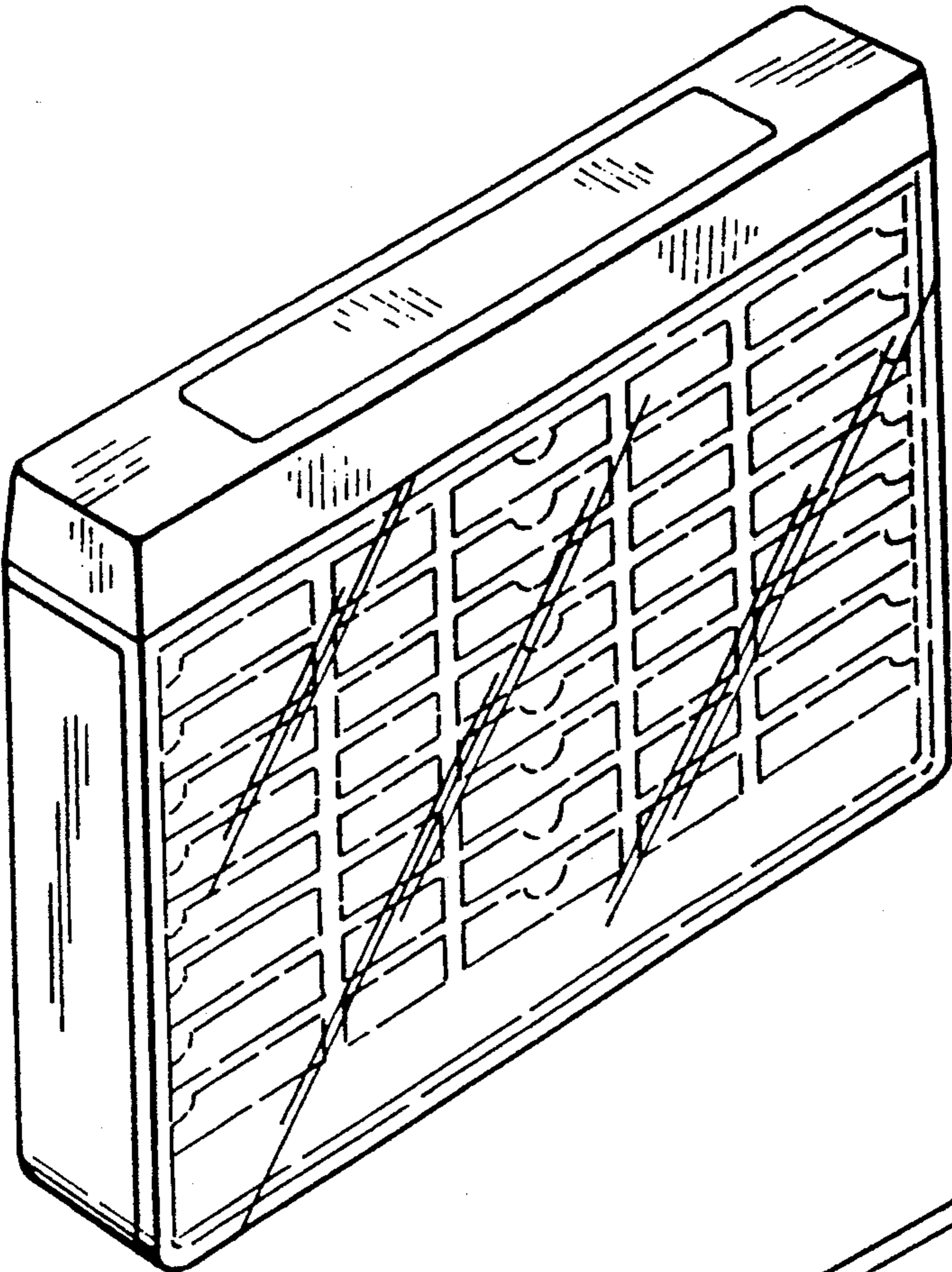


FIG. 1

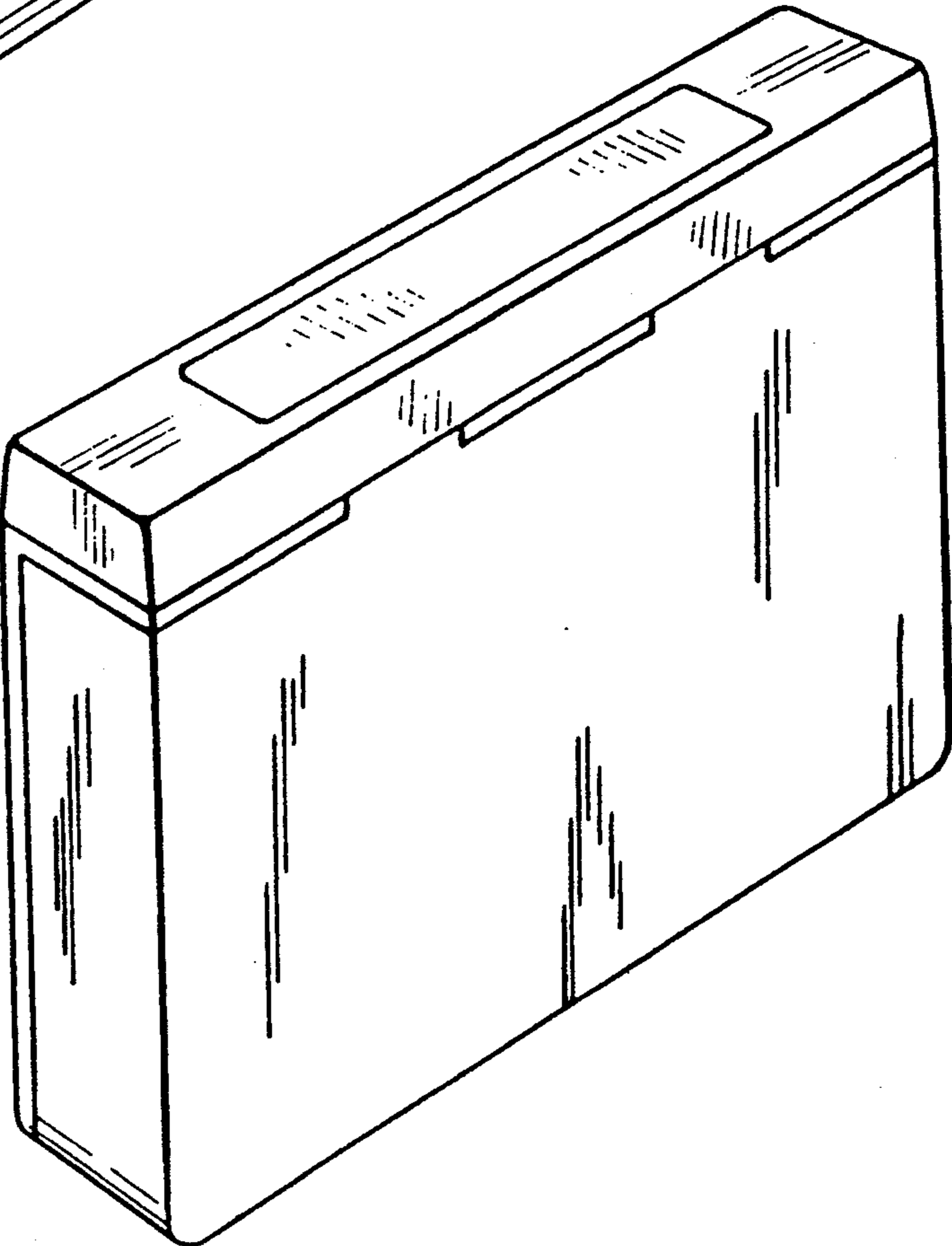


FIG. 2

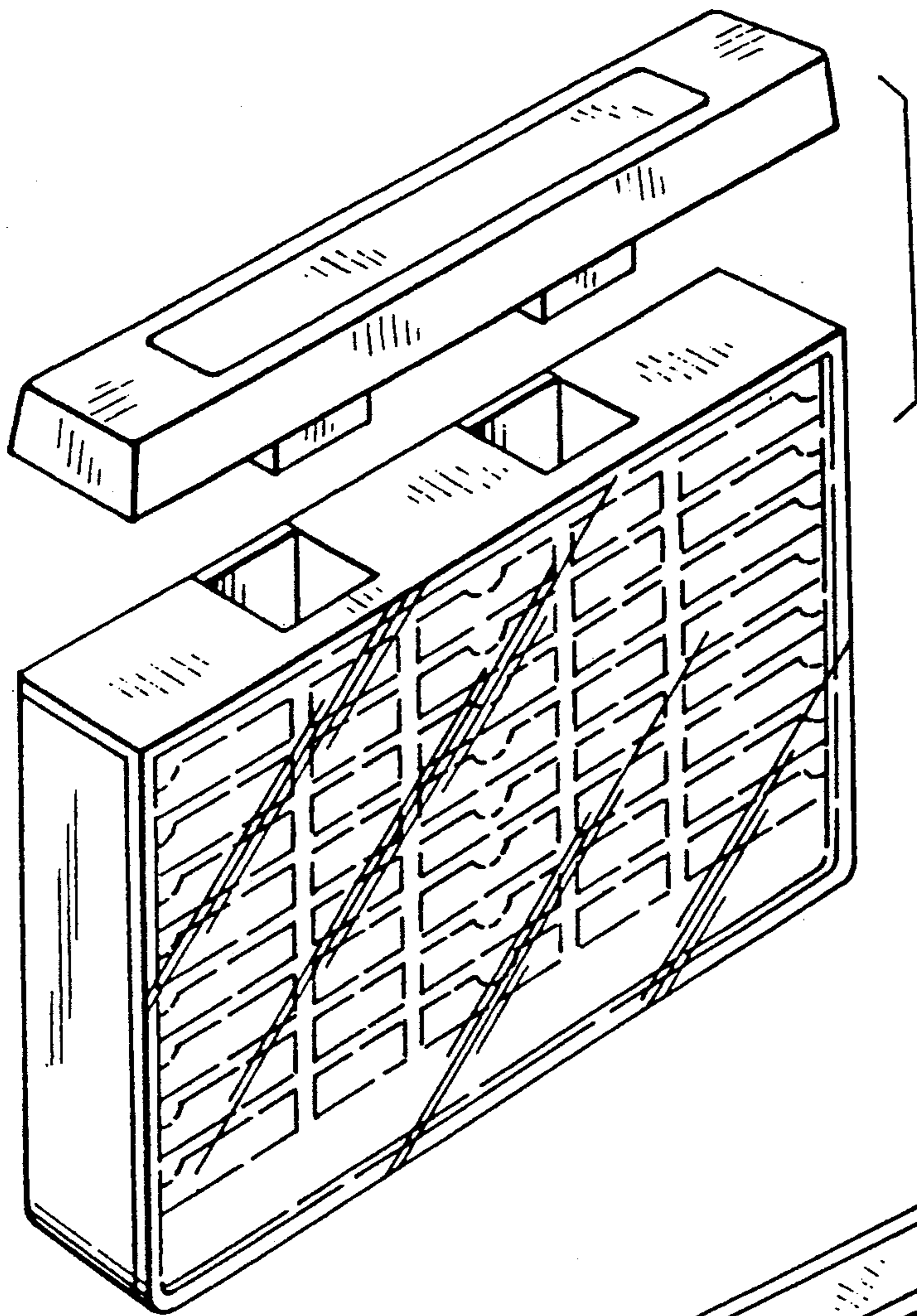


FIG. 3

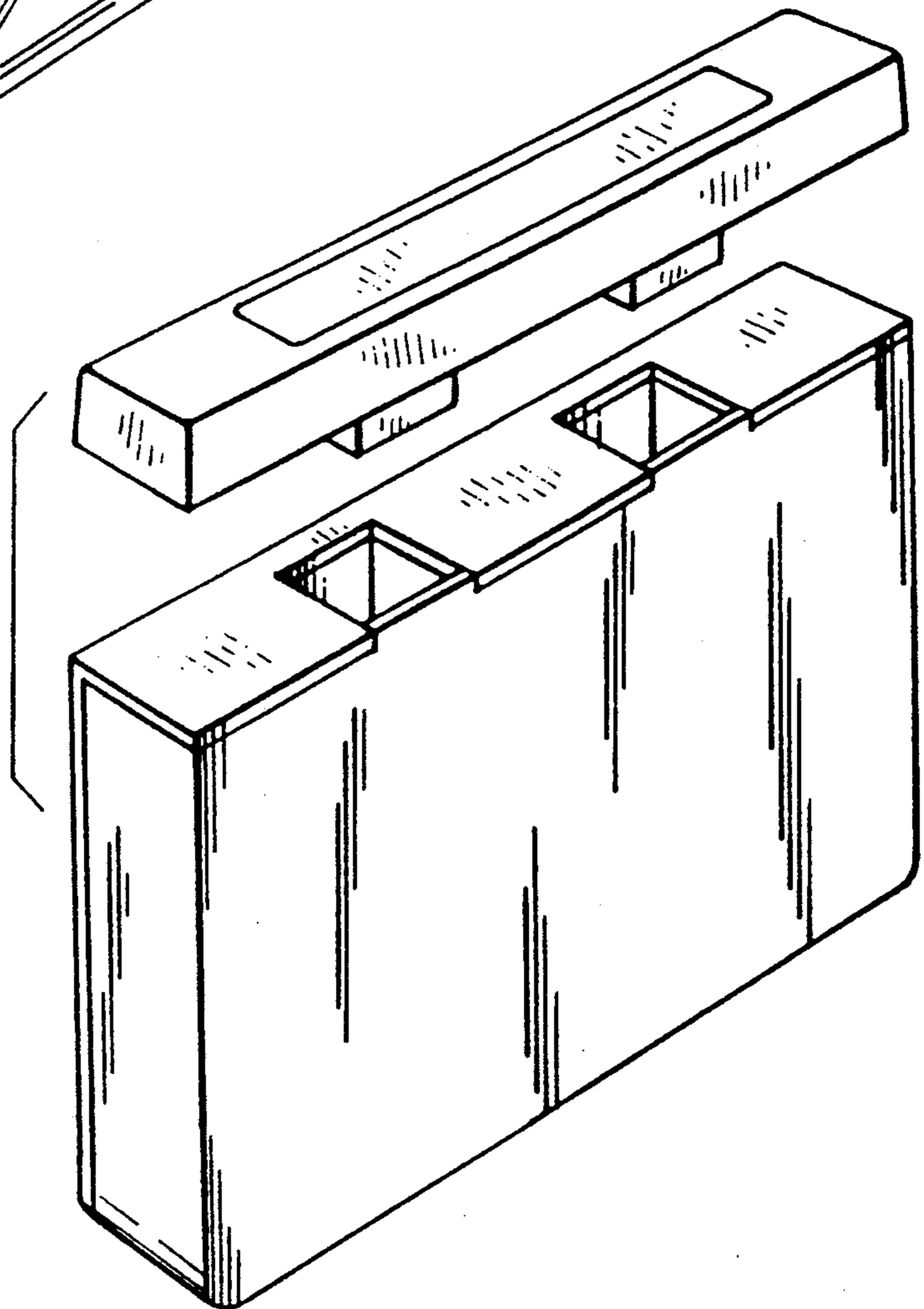


FIG. 4