



US00D335451S

United States Patent [19]

[11] Patent Number: **Des. 335,461**

Horsley, Jr.

[45] Date of Patent: **** May 11, 1993**

[54] **STRAIGHT EDGE FOR ALIGNING SIDING OR ROOF SHINGLES**

4,110,911 9/1978 Suheck 33/648

[76] Inventor: **Harry Horsley, Jr.**, 11 Lyon Rd.,
Pembroke, Mass. 02359

Primary Examiner—Alan P. Douglas
Assistant Examiner—Antoine D. Davis
Attorney, Agent, or Firm—Terry M. Gernstein

[**] Term: **14 Years**

[57] **CLAIM**

[21] Appl. No.: **726,517**

The ornamental design for a straight edge for aligning siding or roof shingles, as shown and described.

[22] Filed: **Jul. 8, 1991**

[52] U.S. Cl. **D10/64; D10/71**

DESCRIPTION

[58] Field of Search **D10/64, 65, 70, 71;**
33/648, 649

FIG. 1 is a perspective view of the straight edge for aligning siding or roof shingles embodying the design of the present invention;

[56] **References Cited**

U.S. PATENT DOCUMENTS

- D. 246,441 11/1977 Bergendorff D10/71
- D. 263,443 3/1982 Reniker et al. D10/64 X
- D. 272,711 2/1984 Briset D10/71
- D. 292,296 10/1987 Wood D10/71

FIG. 2 is a front elevational view thereof;

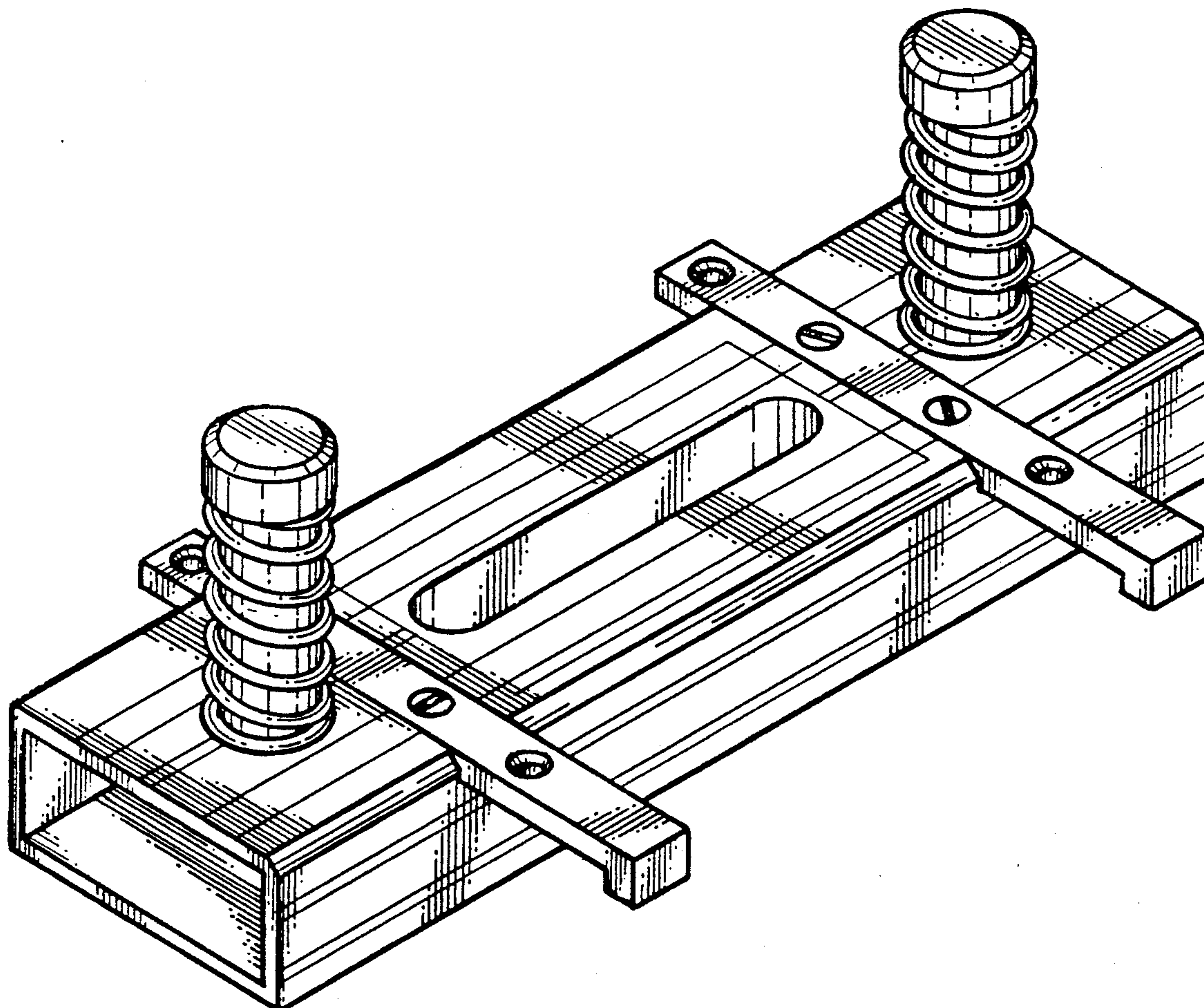
FIG. 3 is a rear elevational view thereof;

FIG. 4 is a side elevational view thereof;

FIG. 5 is a side elevational view thereof;

FIG. 6 is a top plan view thereof; and,

FIG. 7 is a bottom view thereof.



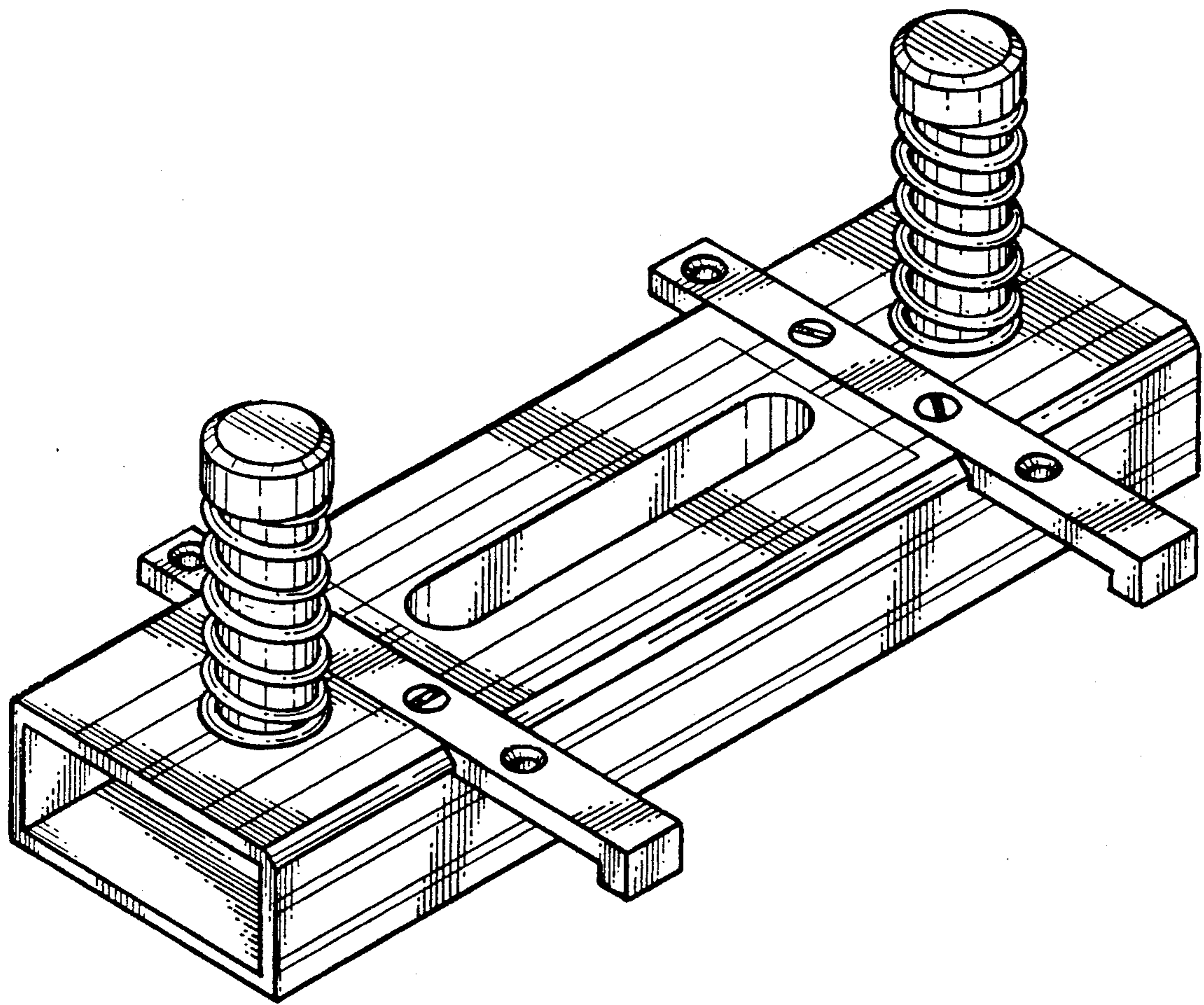


FIG. 1

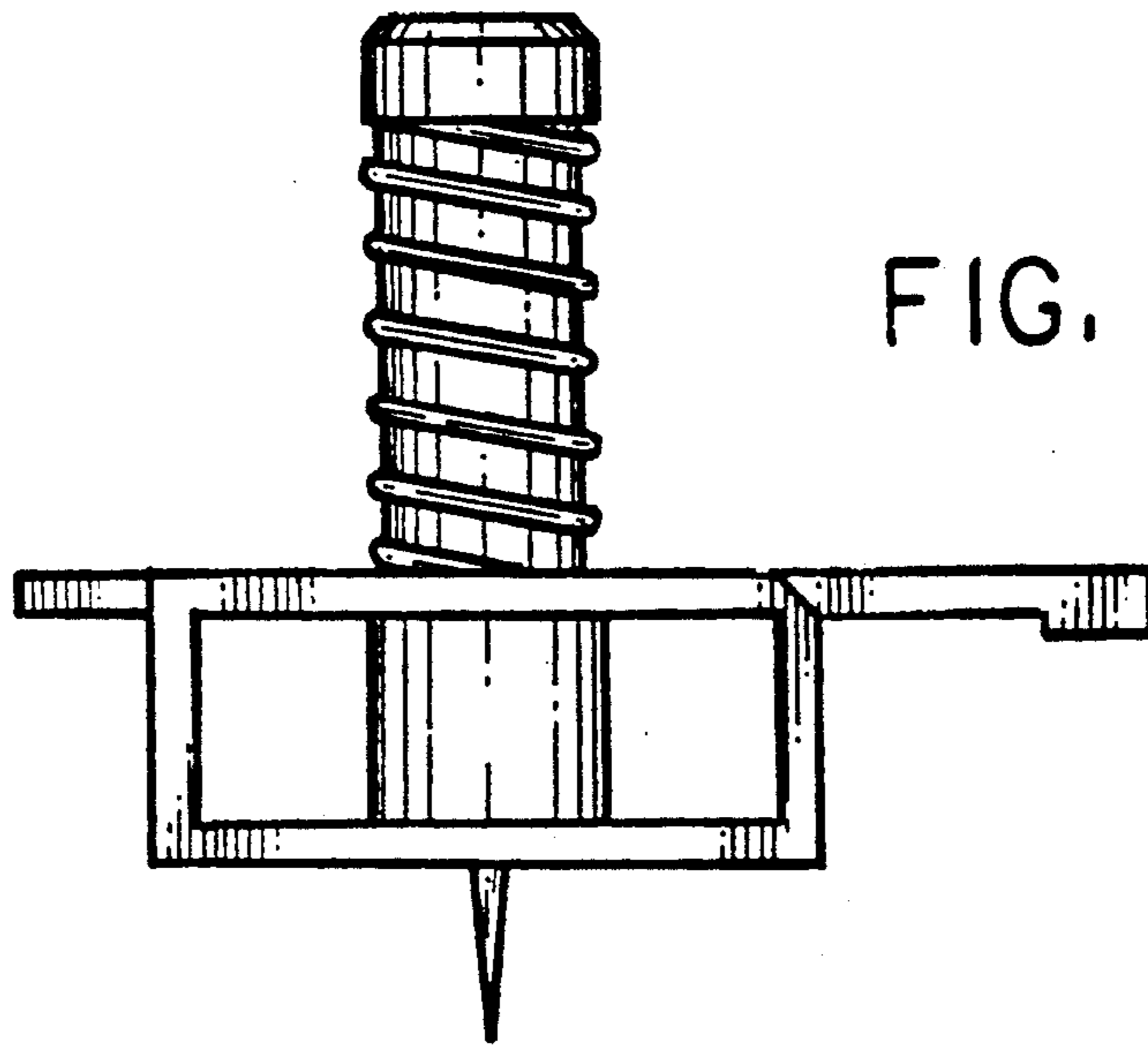


FIG. 2

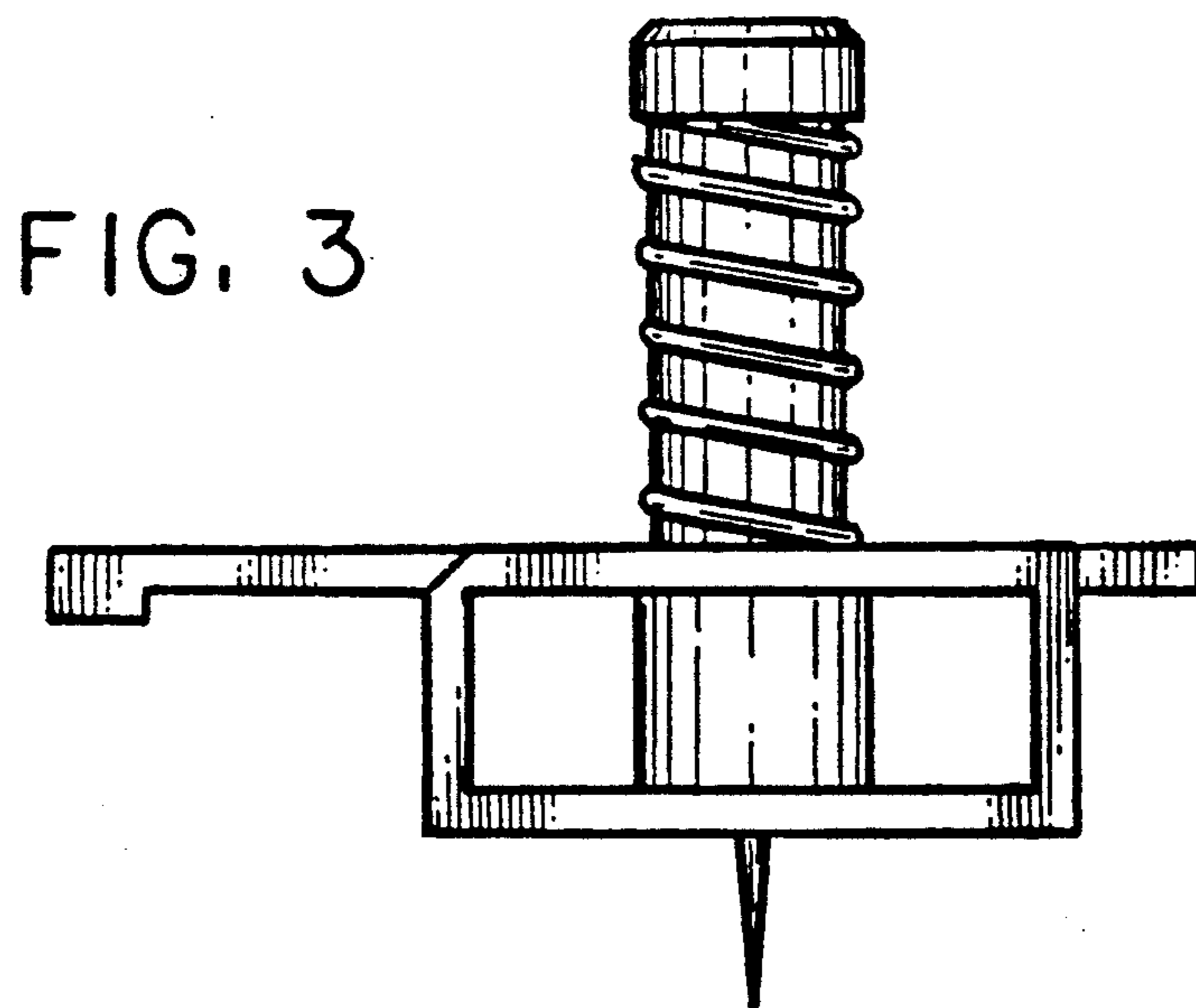


FIG. 3

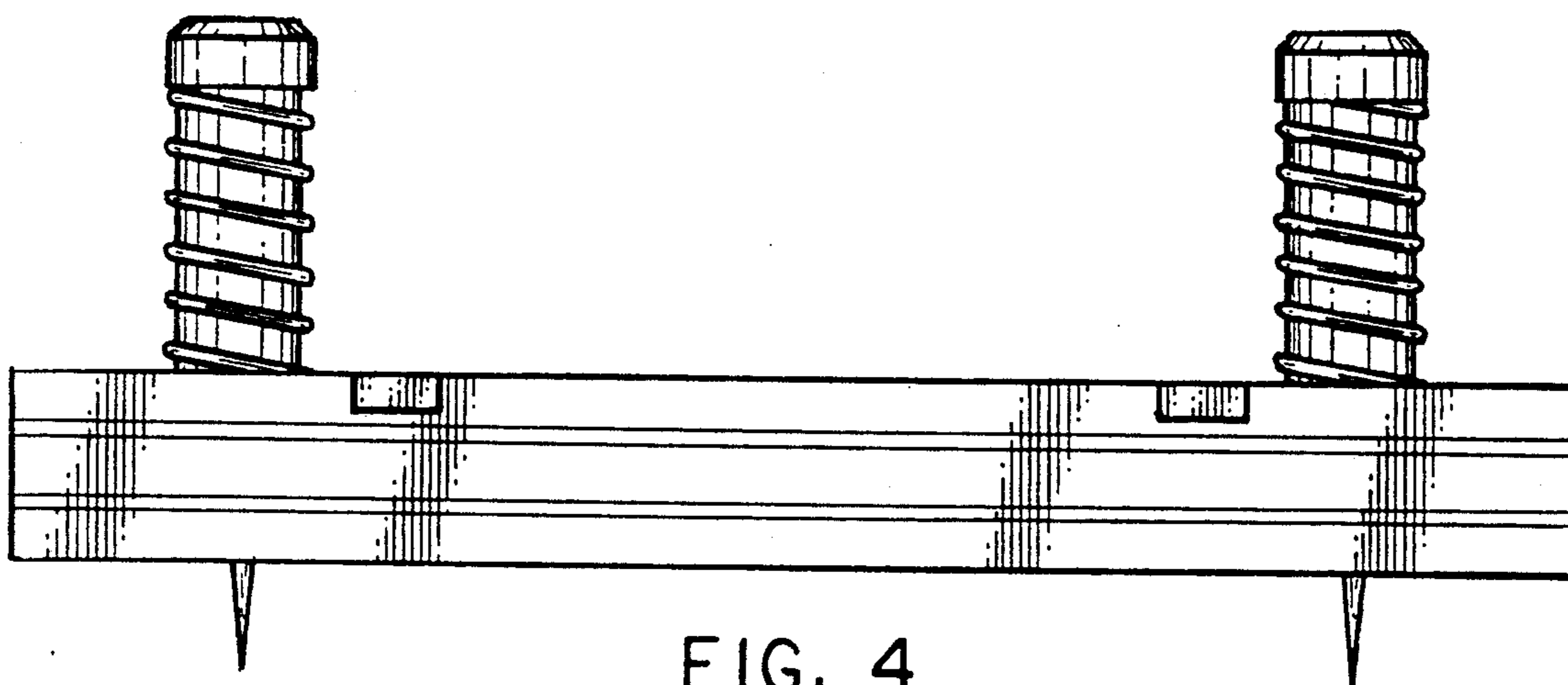


FIG. 4

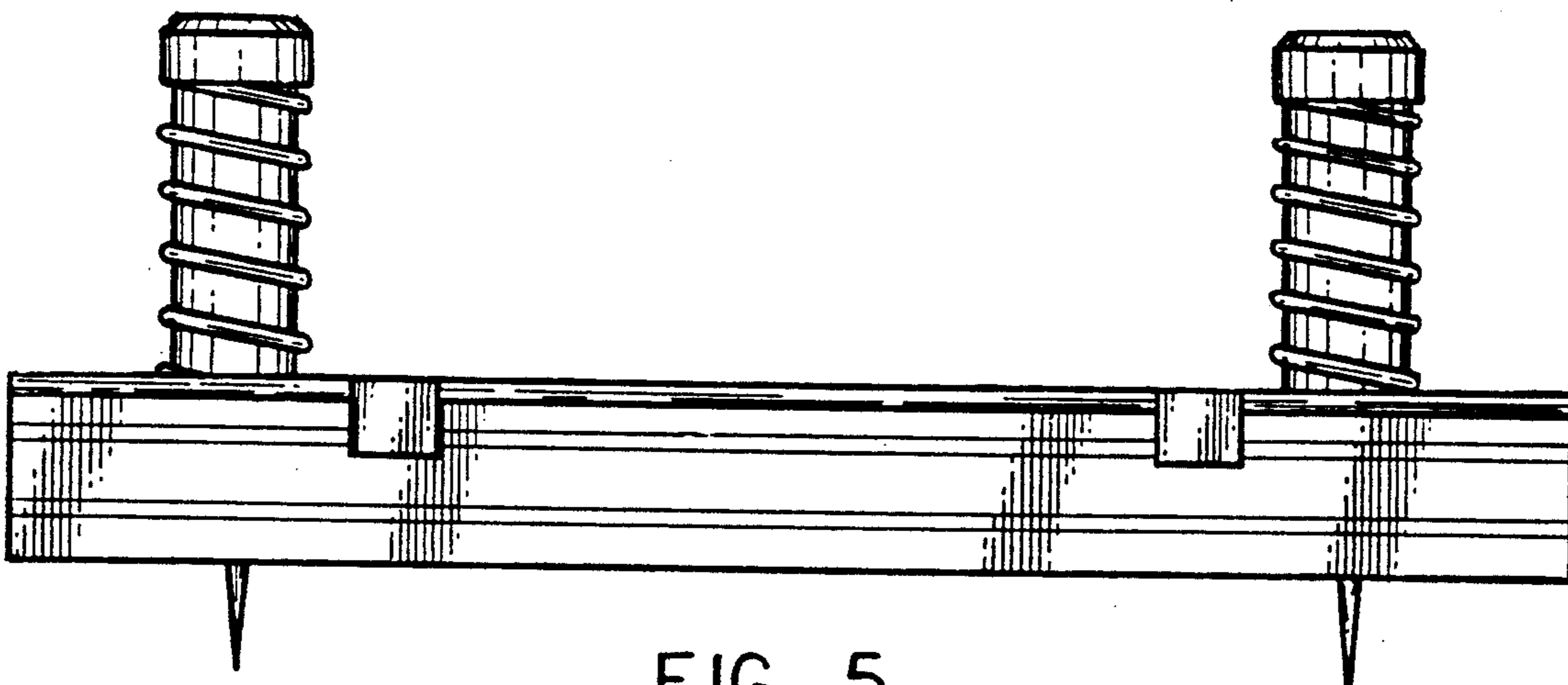


FIG. 5

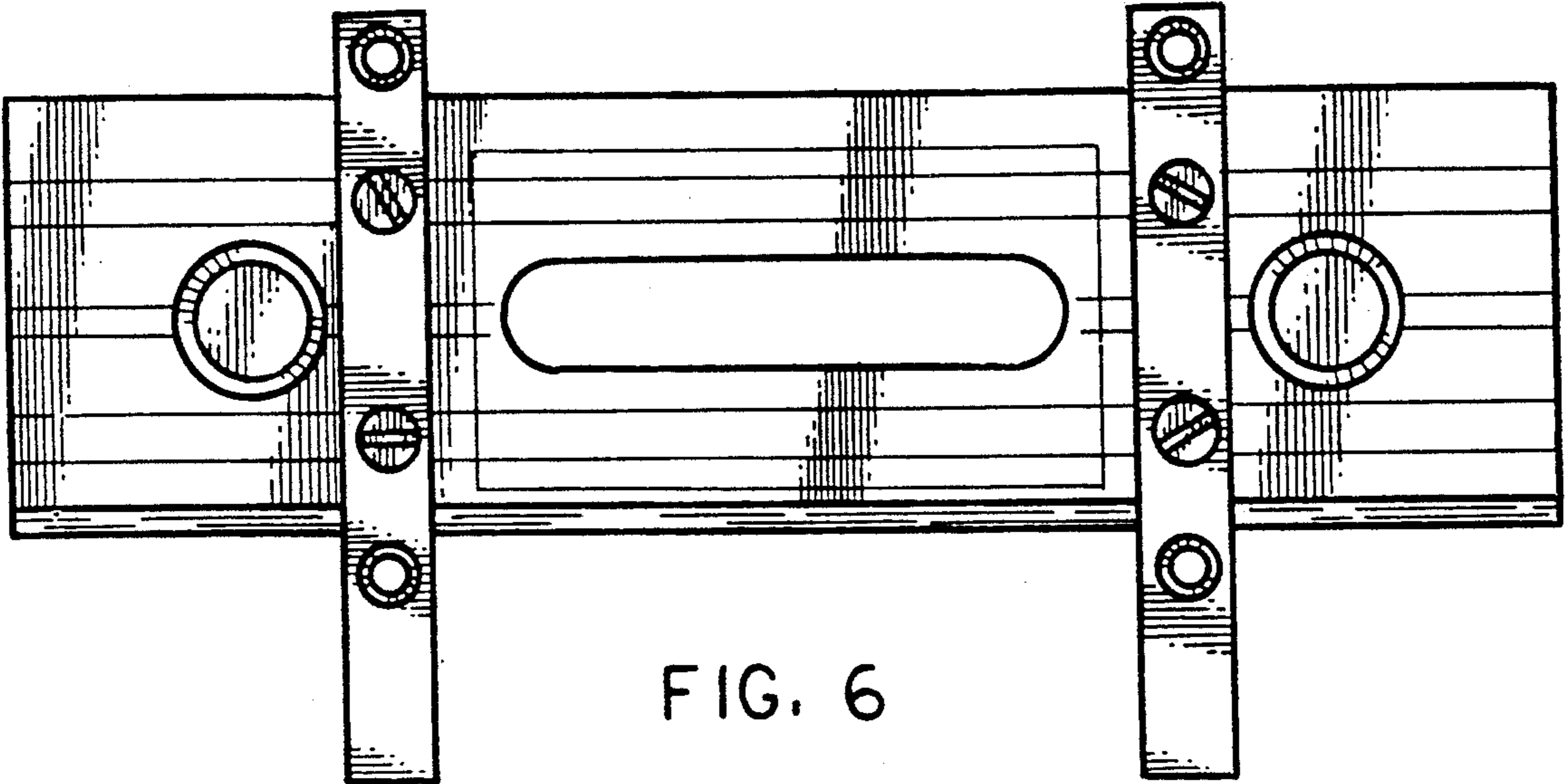


FIG. 6

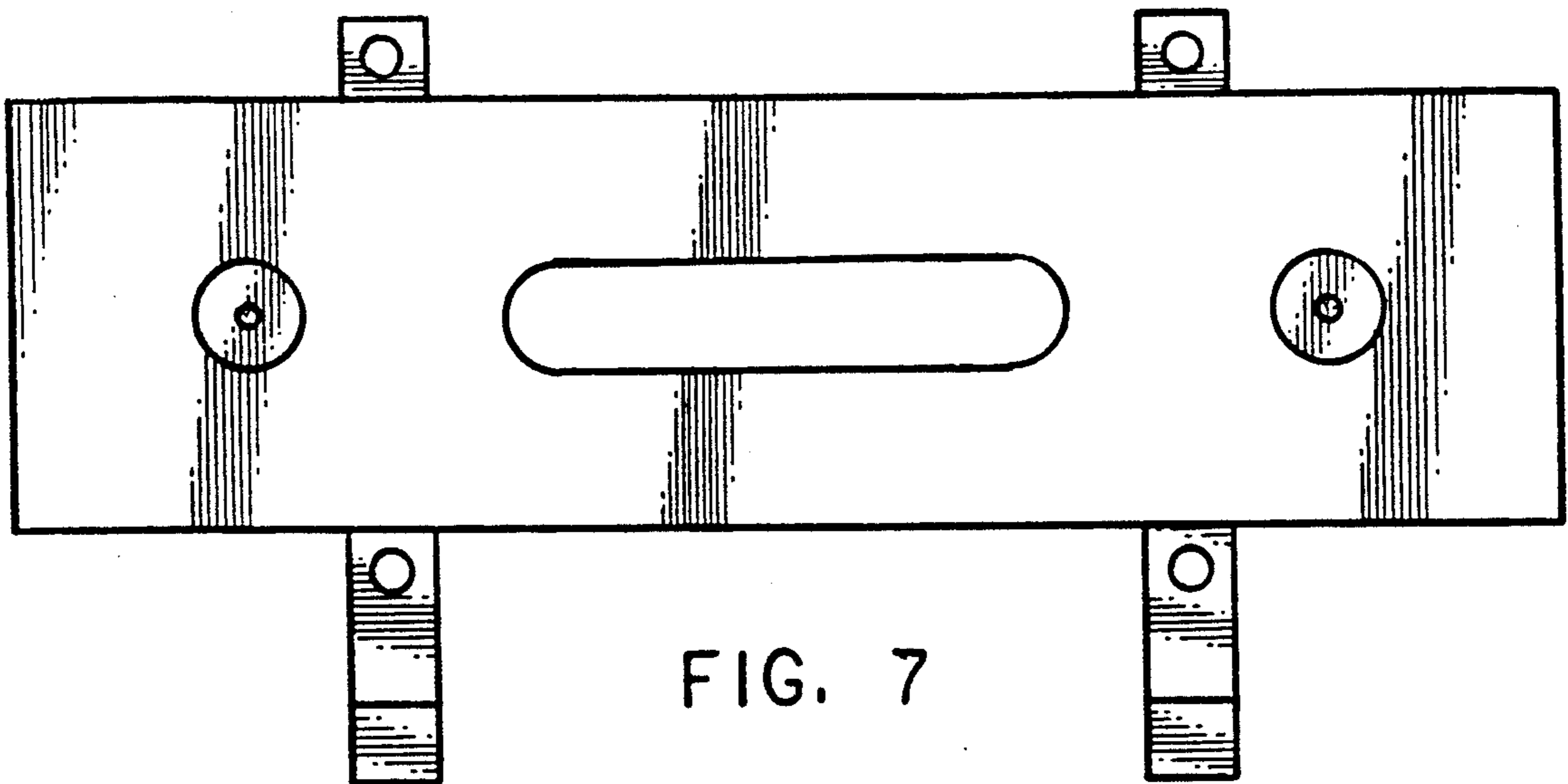


FIG. 7