



US00D335459S

**United States Patent** [19]  
**Moore**

[11] **Patent Number: Des. 335,459**

[45] **Date of Patent: \*\* May 11, 1993**

[54] **CLOCK**

[75] **Inventor: Don-Sen Moore, Taichung, Taiwan**

[73] **Assignee: Centre Clock Industry Co., Ltd., Taiwan**

[\*\*] **Term: 14 Years**

[21] **Appl. No.: 695,030**

[22] **Filed: May 1, 1991**

[52] **U.S. Cl. .... D10/28; D10/130**

[58] **Field of Search .... D10/1-40, D10/122-132; 368/316, 317, 179, 180, 276-277, 285**

[56] **References Cited**

**U.S. PATENT DOCUMENTS**

180,138 7/1876 Kroeber ..... 368/276  
2,351,679 6/1944 Harris ..... D6/396 X

**OTHER PUBLICATIONS**

*European Jeweler (G.Z.)*-Jan. 1986-p. 48-clock at top-right.

*European Jeweler*-Apr. 1987-p. 40-clock at top-right.

*Jeweler's Circular-Keystone*-Jul. 1984-p. 54-clock at bottom right.

*Swiss Watch & Jewelry Journal*-Jan. 1988-p. 145-clocks at bottom.

*Primary Examiner*-Nelson C. Holtje

*Attorney, Agent, or Firm*-Browdy and Neimark

[57] **CLAIM**

The ornamental design for a clock, as shown and described.

**DESCRIPTION**

FIG. 1 is a front elevational view of the clock in accordance with the present invention;

FIG. 2 is a back side elevational view of the clock;

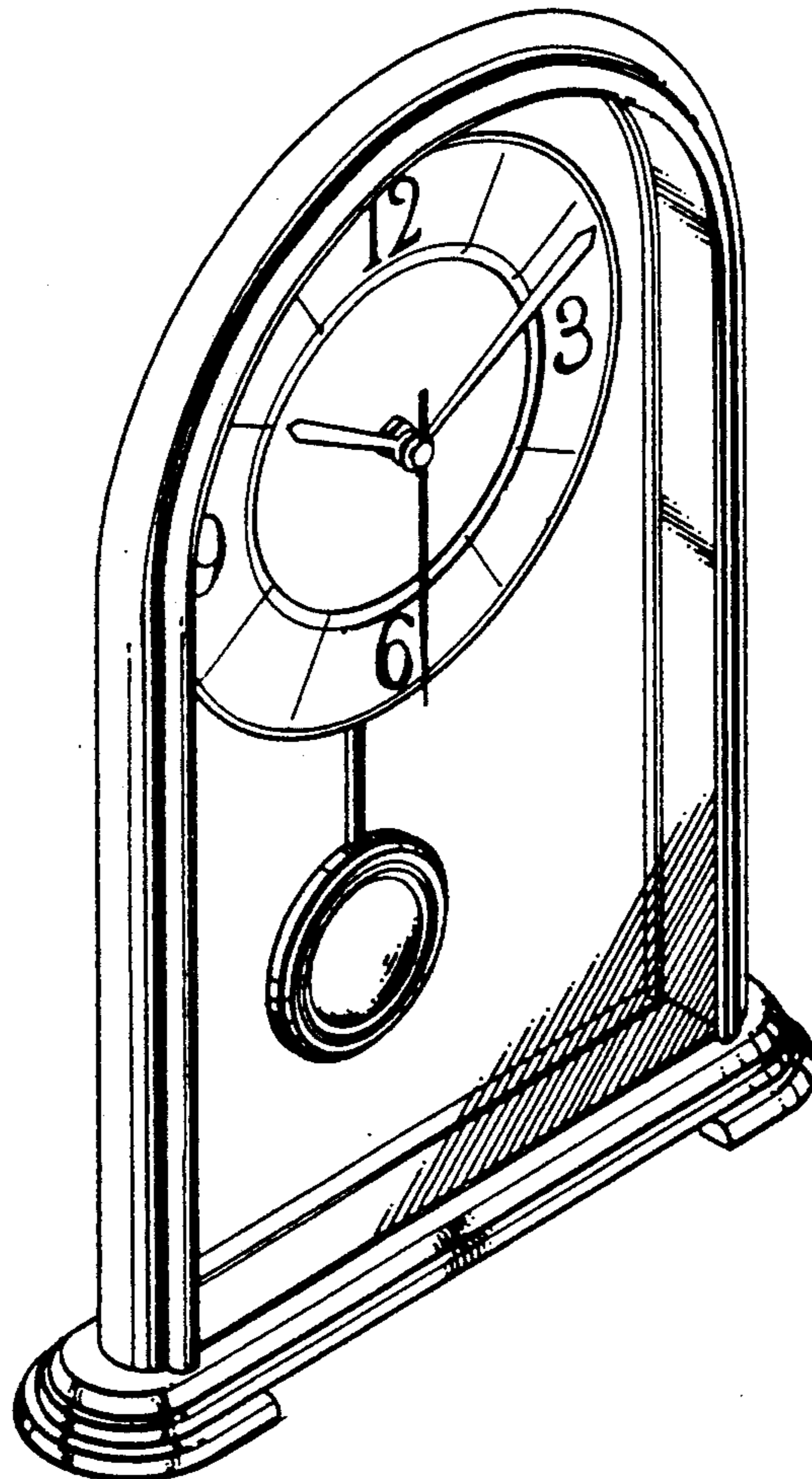
FIG. 3 is a top plan view of the clock;

FIG. 4 is a bottom plan view of the clock;

FIG. 5 is a left side view of the clock;

FIG. 6 is a right side view of the clock; and,

FIG. 7 is a front perspective view of the clock.



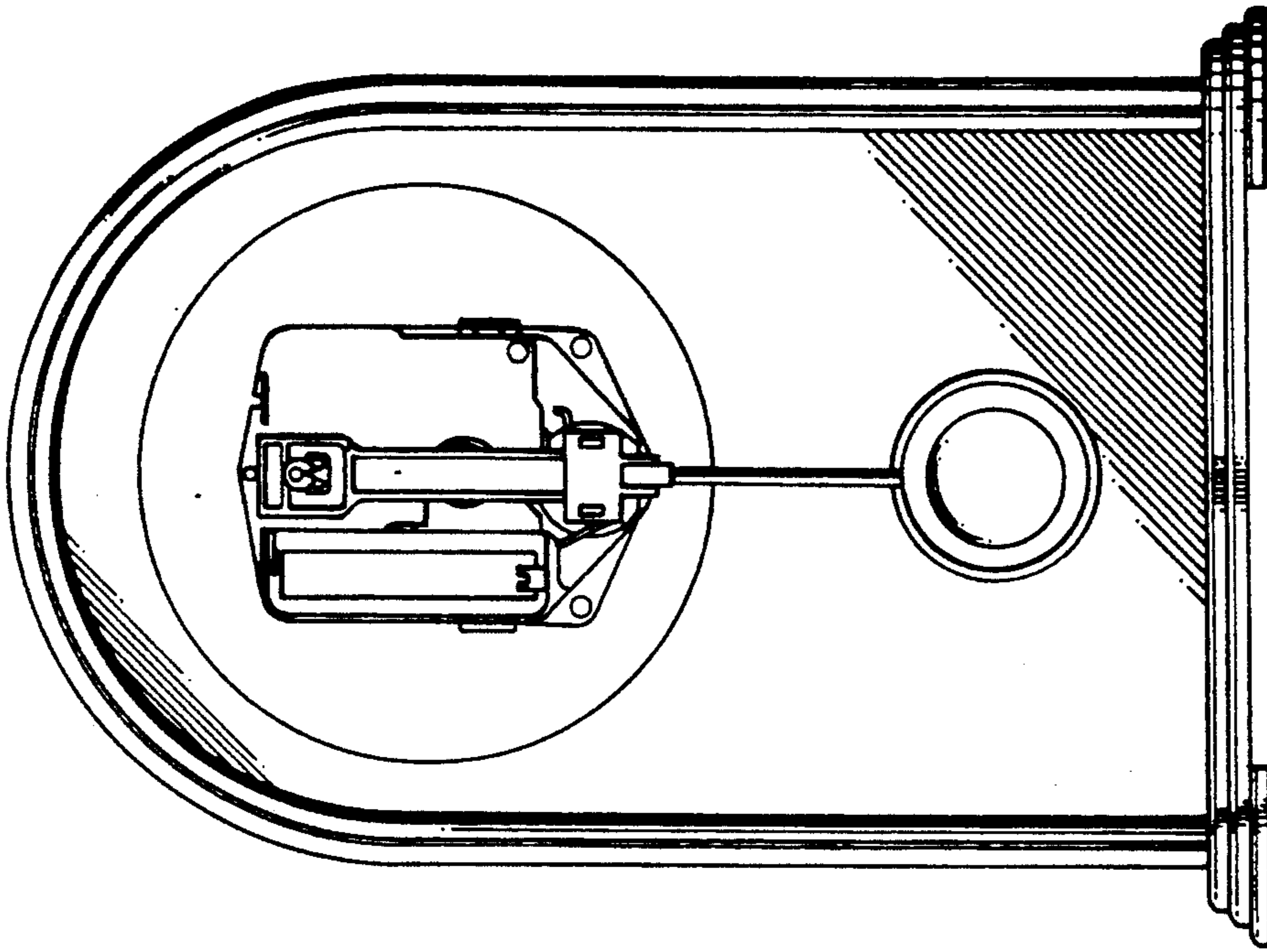


FIG:2

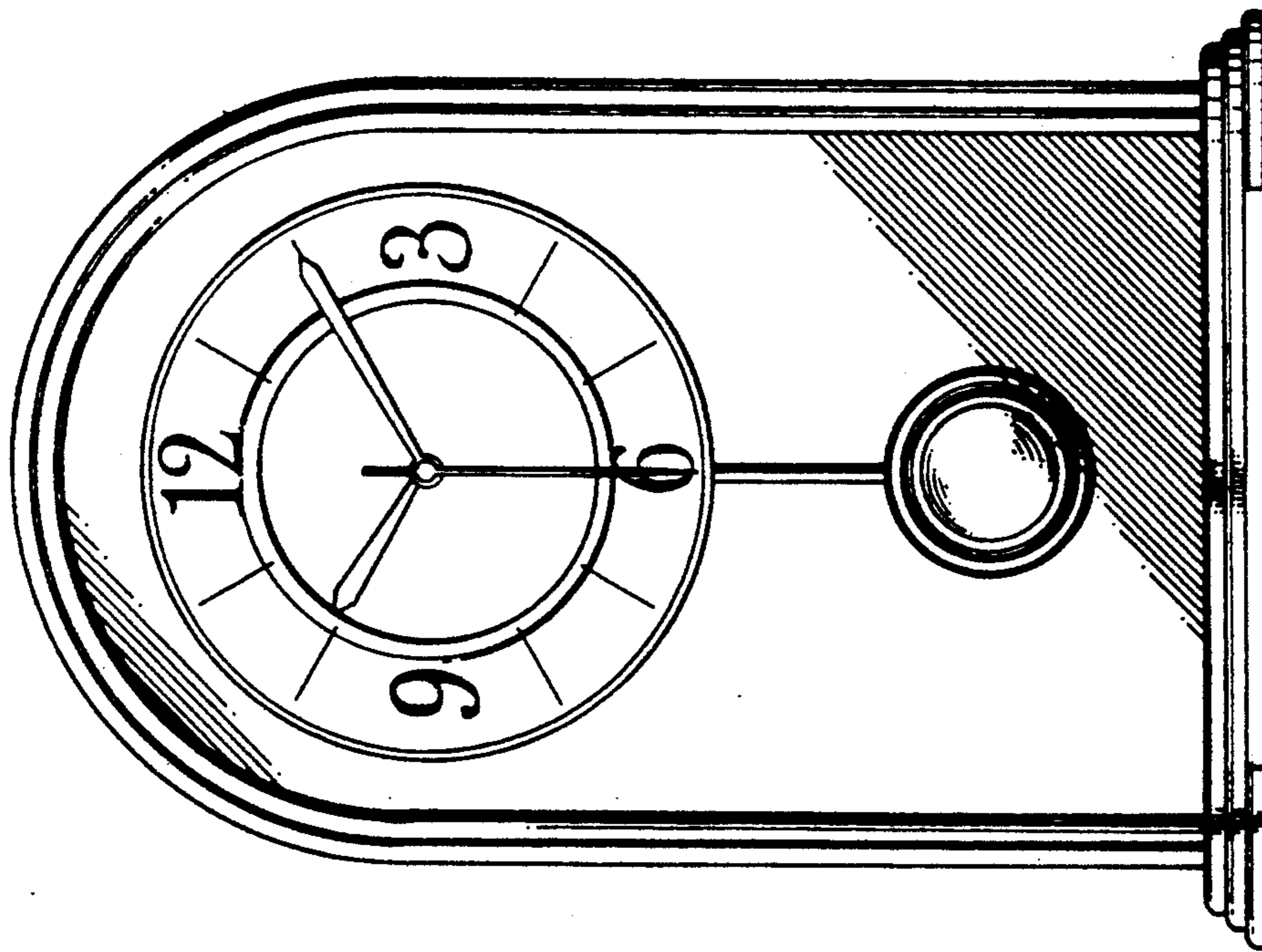


FIG:1

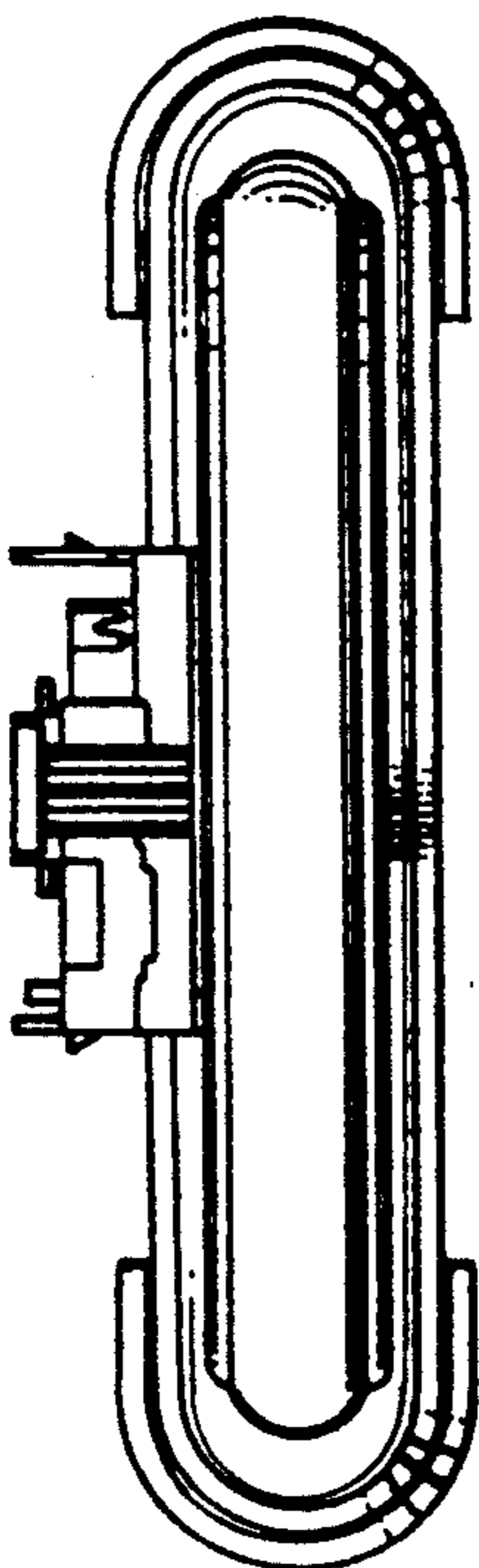


FIG:3

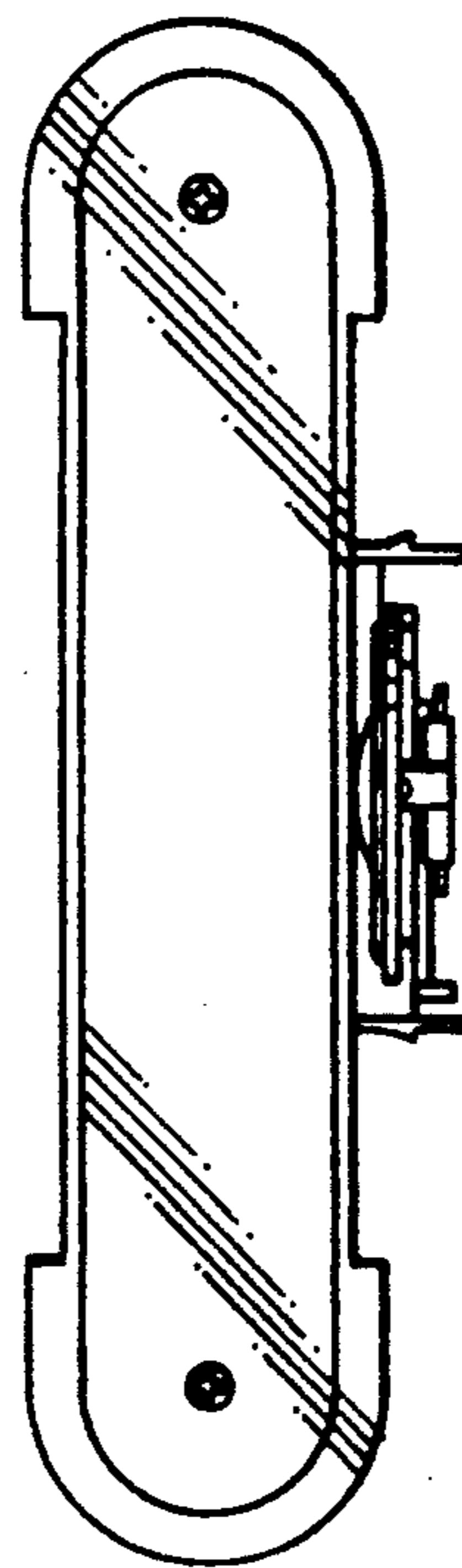


FIG:4

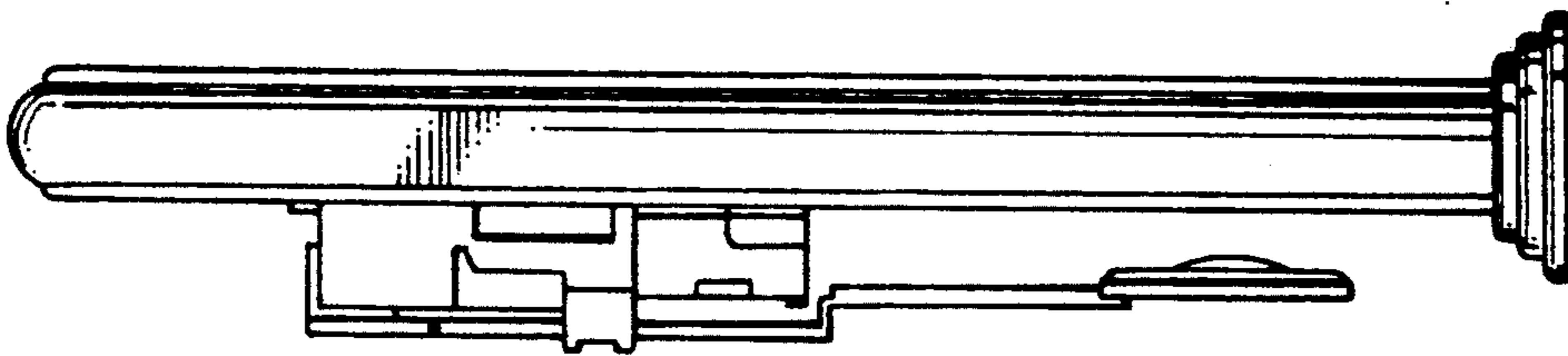


FIG:5

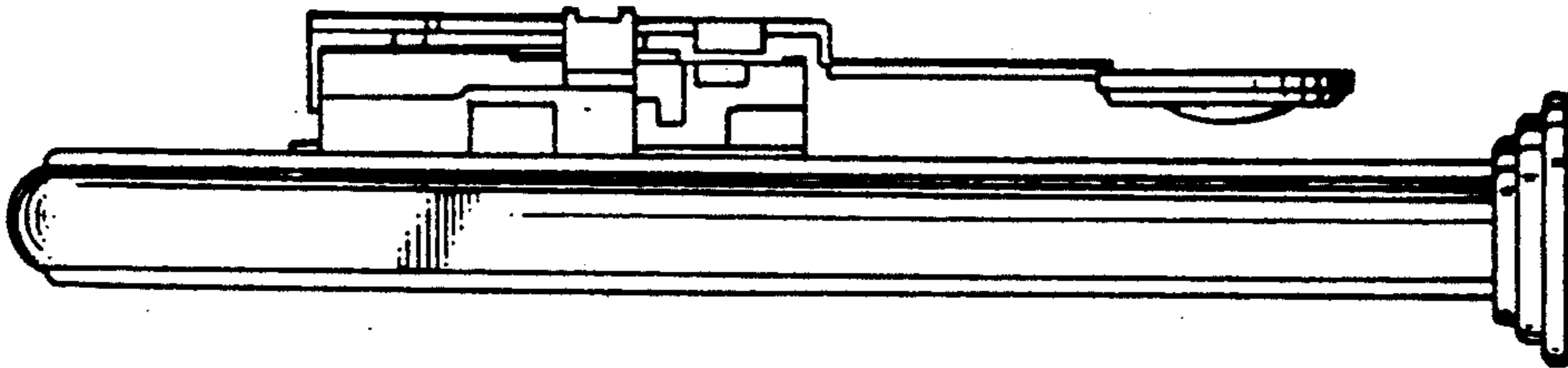


FIG:6

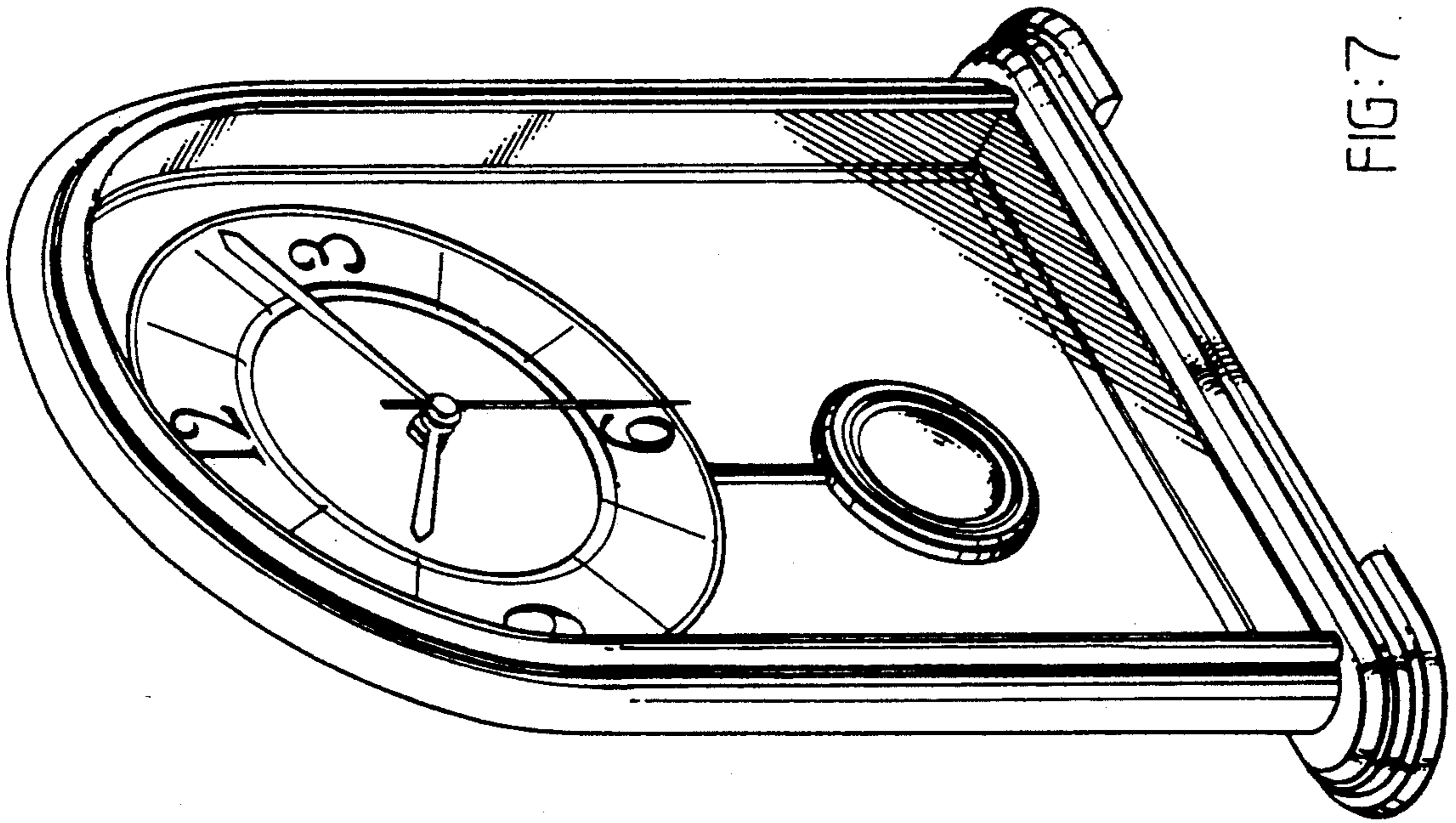


FIG:7