



US00D335449S

United States Patent [19]

[11] Patent Number: **Des. 335,449**

Appla

[45] Date of Patent: **** May 11, 1993**

[54] DISPENSER

4,842,169 6/1989 Stuff 222/521
4,967,941 11/1990 Beck 222/521

[76] Inventor: **Constandinos Appla**, Suite 17, 25
Martin Street, Thornbury, Victoria,
3071, Australia

[**] Term: **14 Years**

[21] Appl. No.: **634,312**

[22] Filed: **Dec. 27, 1990**

[52] U.S. Cl. **D9/447; D9/449**

[58] Field of Search **D9/435, 447, 449;**
222/521, 525; 215/311, 321

[56] **References Cited**

U.S. PATENT DOCUMENTS

2,969,168	1/1961	Newly	222/525
3,157,323	11/1964	Kitterman	215/311 X
3,326,402	6/1967	Randazza	D9/449 X
3,809,299	5/1974	Sand et al.	222/521
4,020,981	3/1977	Nixdorff	222/525

OTHER PUBLICATIONS

Modern Packaging Encyclopedia; 1970, p. 298; Twin Seal Closure #S102p. 298.

Primary Examiner—Bernard Ansher
Assistant Examiner—Dominic Simone
Attorney, Agent, or Firm—Marion P. Lelong

[57] CLAIM

The ornamental design for a dispenser, as shown.

DESCRIPTION

FIG. 1 is a top perspective view of a dispenser showing my new design;

FIG. 2 is a side view of the dispenser in the closed position;

FIG. 3 is a side view of the dispenser in open position; and,

FIG. 4 is a top view of the dispenser.

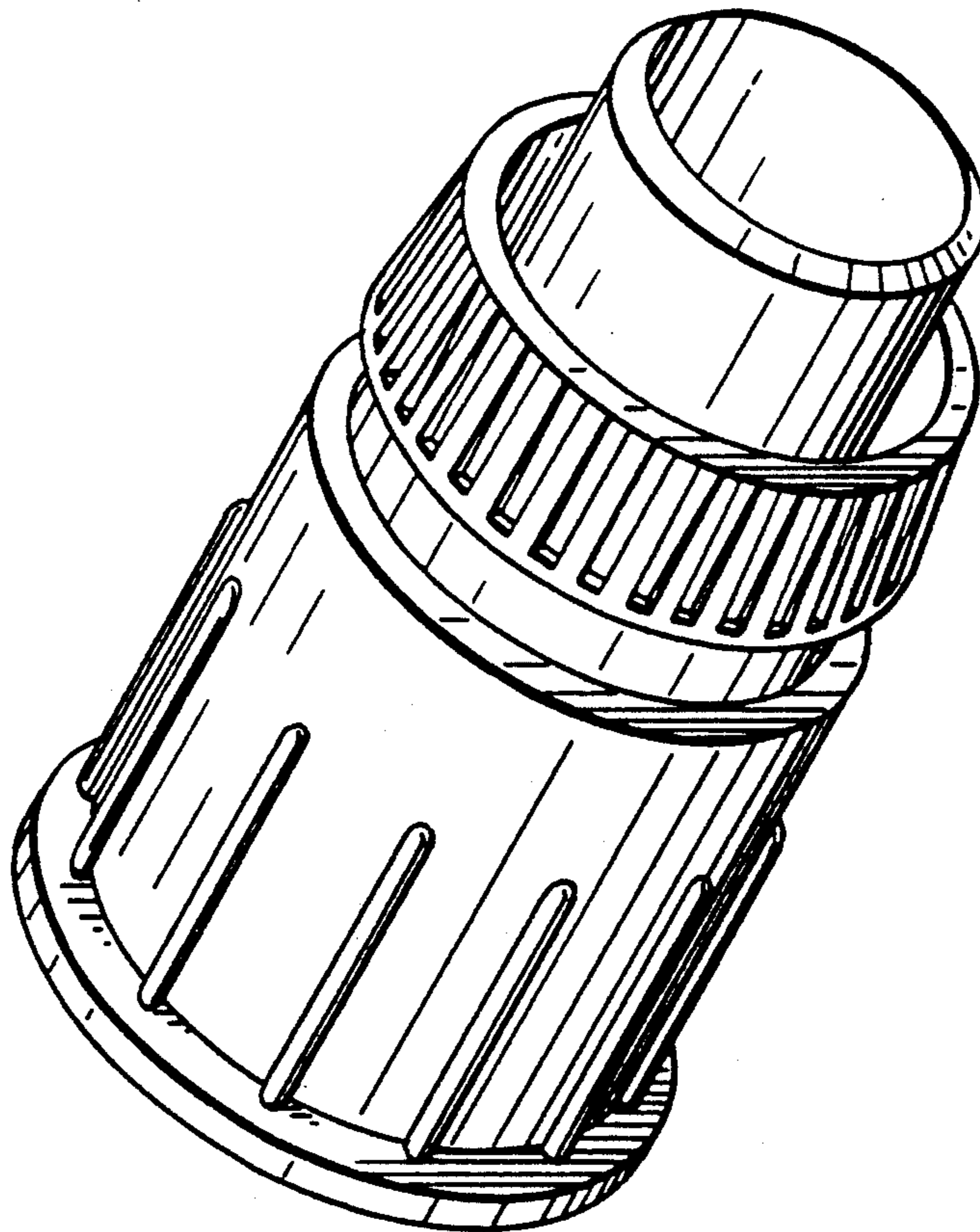


Fig.1

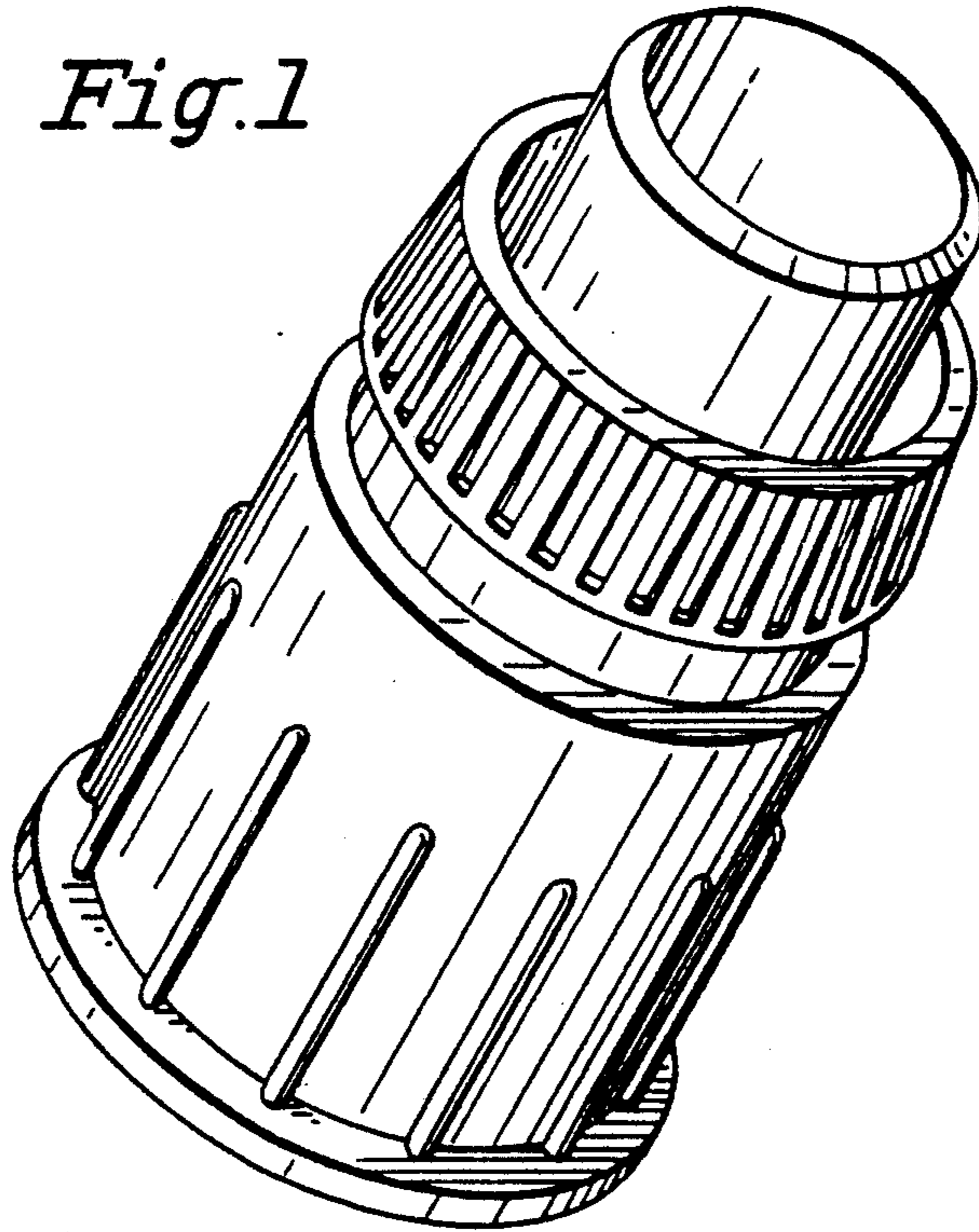


Fig.2

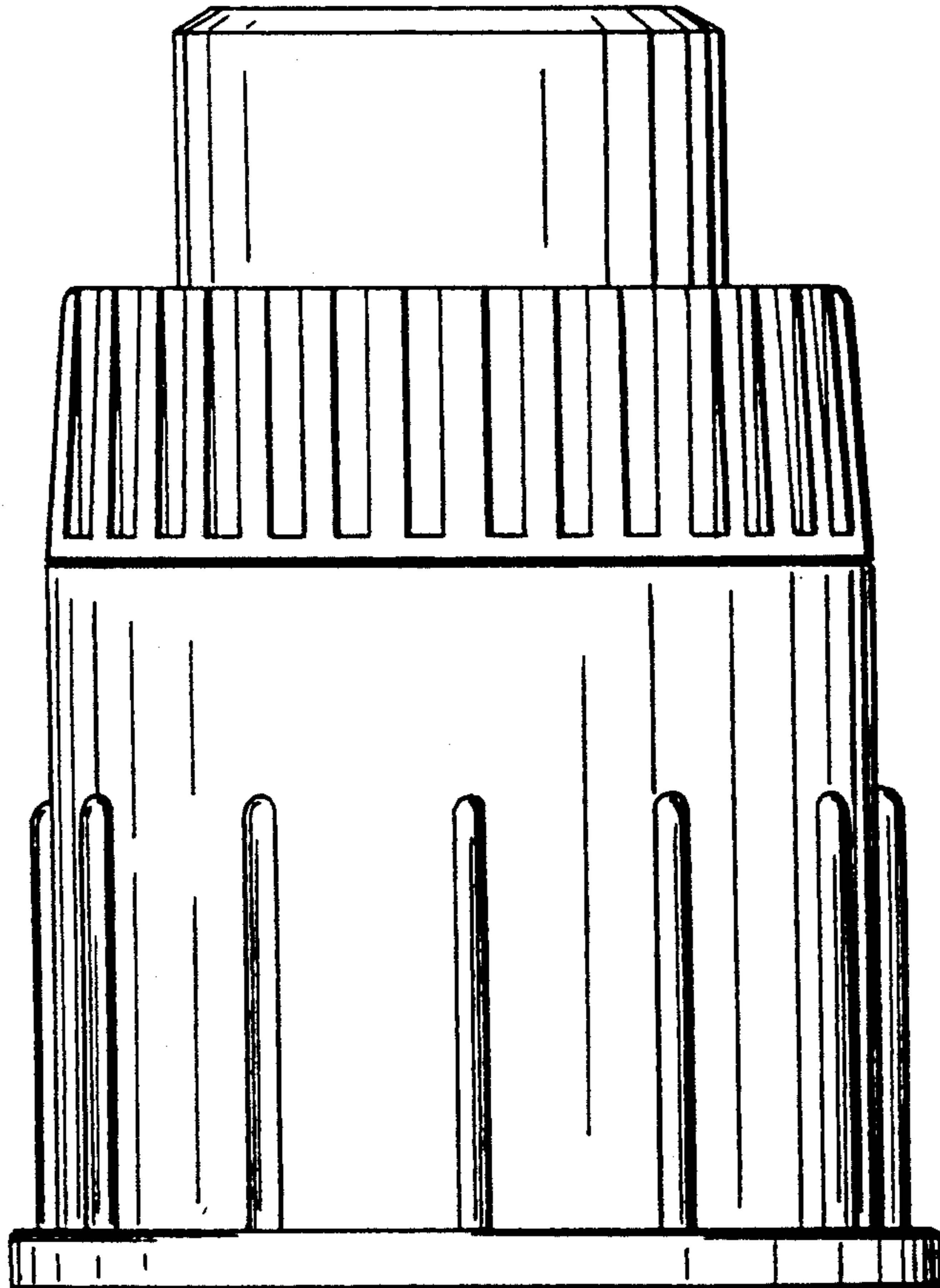


Fig. 3

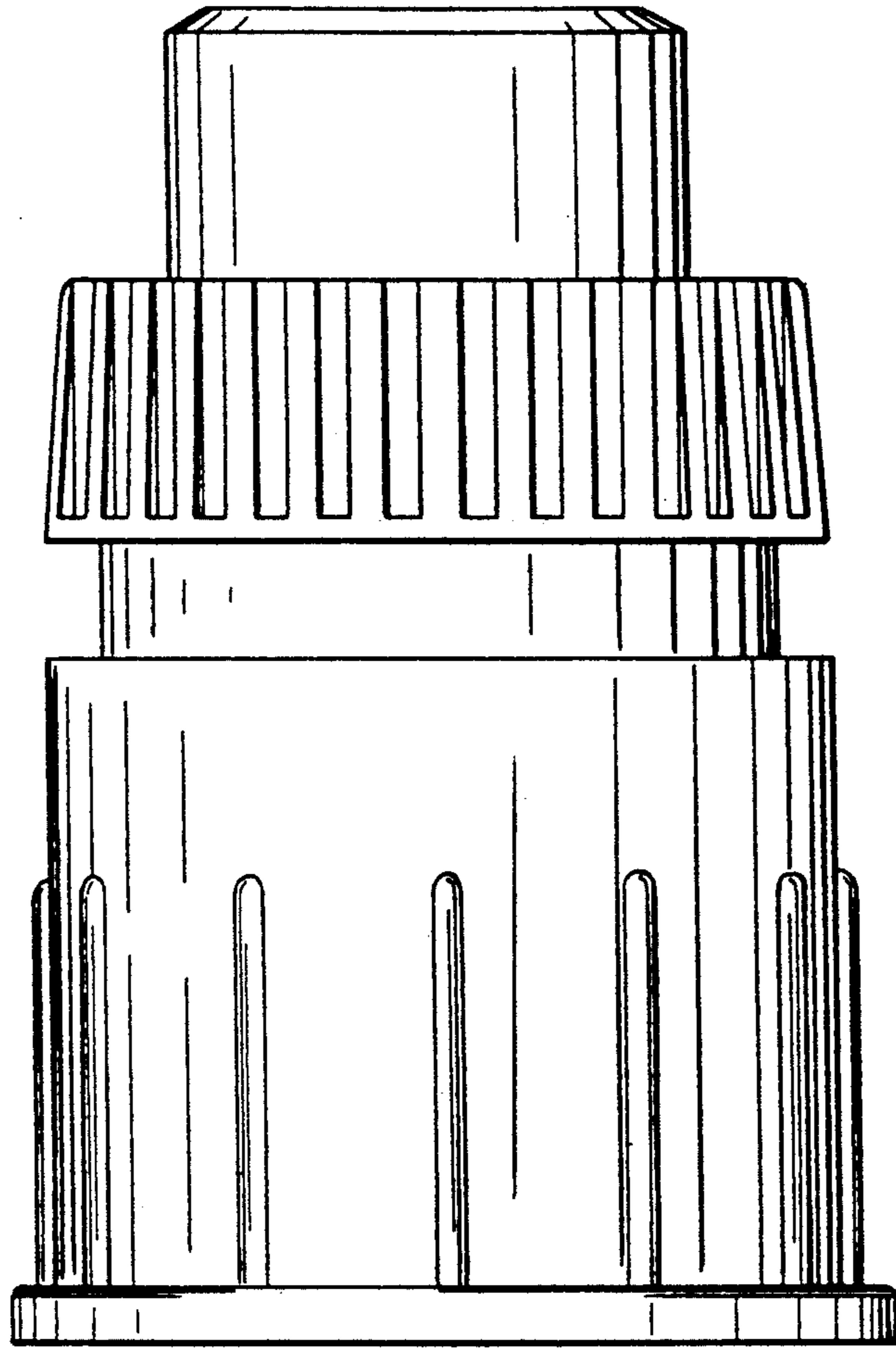


Fig. 4

