



US00D335444S

United States Patent [19]

Marchini

[11] Patent Number: **Des. 335,444**

[45] Date of Patent: **** May 11, 1993**

[54] **COMBINED BOTTLE AND CLOSURE**

[75] Inventor: **Giuliana Marchini, Cattolica, Italy**

[73] Assignee: **Gilmar S.p.A., Forli, Italy**

[**] Term: **14 Years**

[21] Appl. No.: **447,877**

[22] Filed: **Dec. 8, 1989**

[30] **Foreign Application Priority Data**

Jun. 9, 1989 [IT] Italy 53162/89[U]

[52] U.S. Cl. **D9/544; D9/562; D9/567**

[58] Field of Search **D9/367, 375, 384, 307, D9/372, 373, 376, 378, 409; 215/1 R, 1 C**

[56] **References Cited**

U.S. PATENT DOCUMENTS

- D. 147,265 8/1947 Gardiner D9/373
- D. 155,743 10/1949 Simoneau D9/375 X
- D. 176,590 1/1956 Breen D9/372

- D. 234,120 1/1975 Cassin D9/384 X
- D. 241,414 9/1976 Koenigsberg D9/375
- D. 253,034 10/1979 Meyer et al. D9/372
- D. 311,491 10/1990 Bompard D9/385

Primary Examiner—Bernard Ansher
Assistant Examiner—Lucy Lieberman
Attorney, Agent, or Firm—Sughrue, Mion, Zinn, Macpeak & Seas

[57] **CLAIM**

The ornamental design for a combined bottle and closure, as shown and described.

DESCRIPTION

FIG. 1 is a front elevation of a combined bottle and closure showing my new design, the rear elevation is a mirror image thereof;

FIG. 2 is a right side elevation thereof;

FIG. 3 is a top plan view thereof; and,

FIG. 4 is a top, front and left side perspective view of the combined bottle and closure shown on an enlarged scale.

The bottom of the bottle is plain.

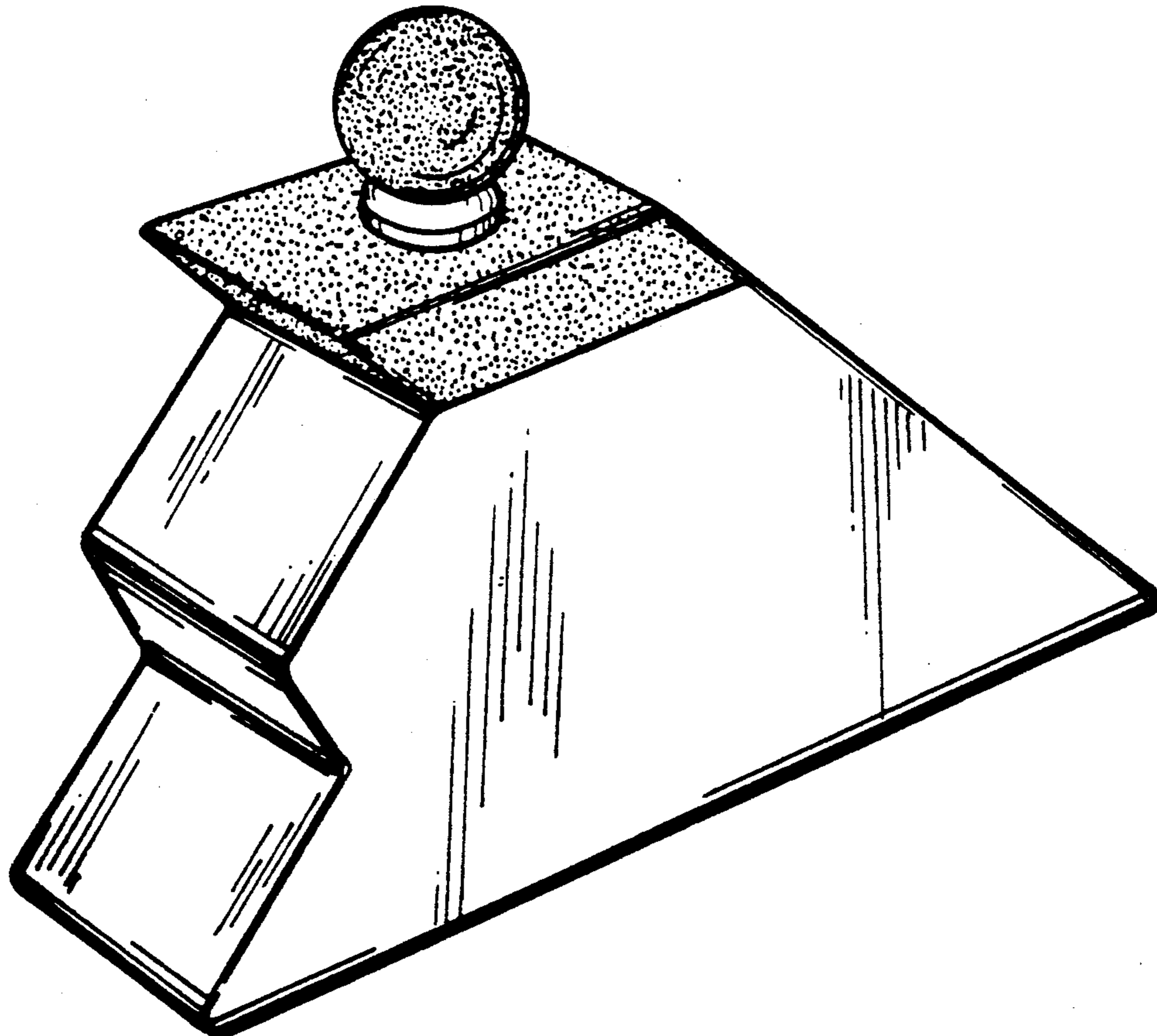


FIG. 1

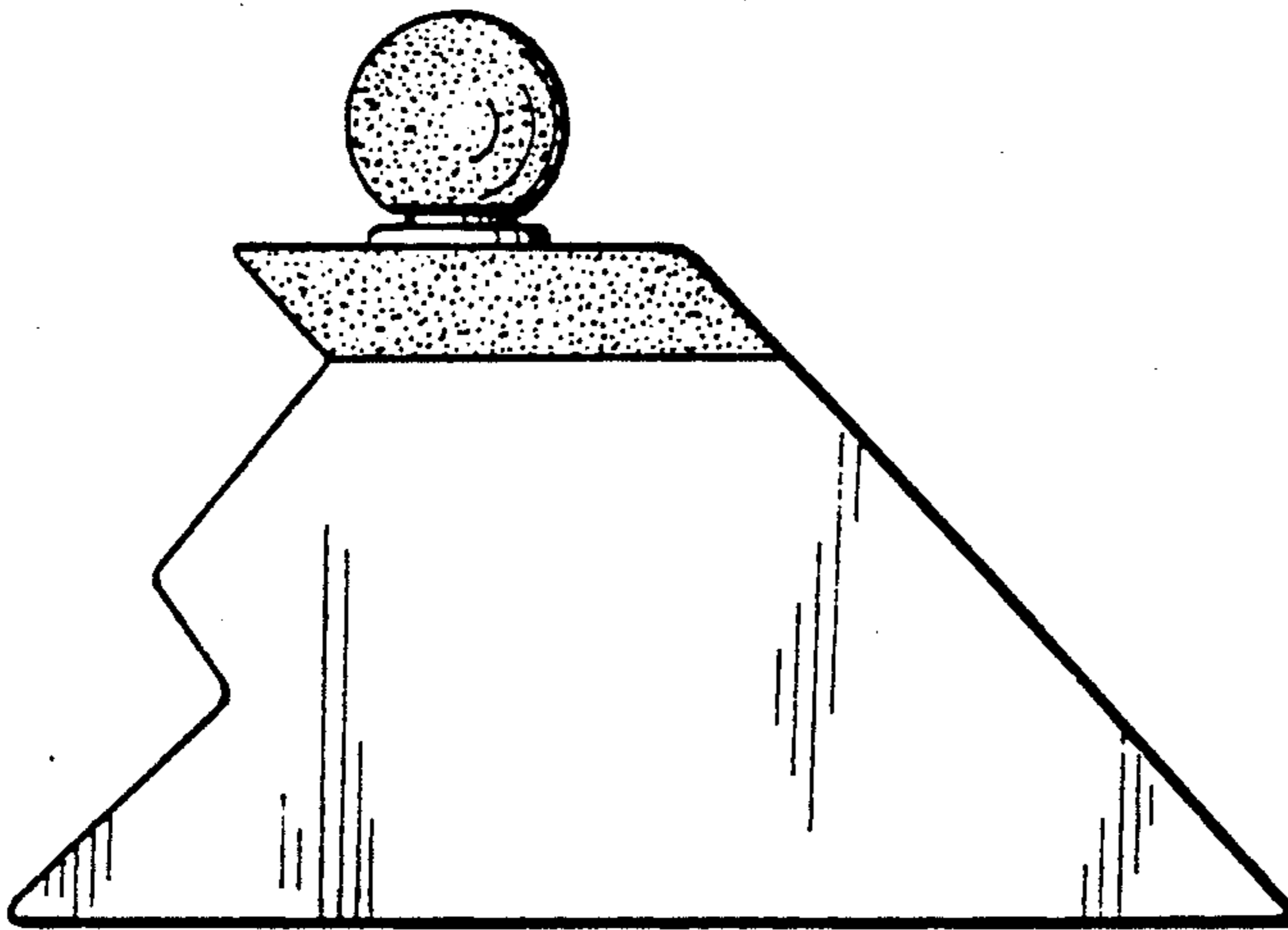


FIG. 2

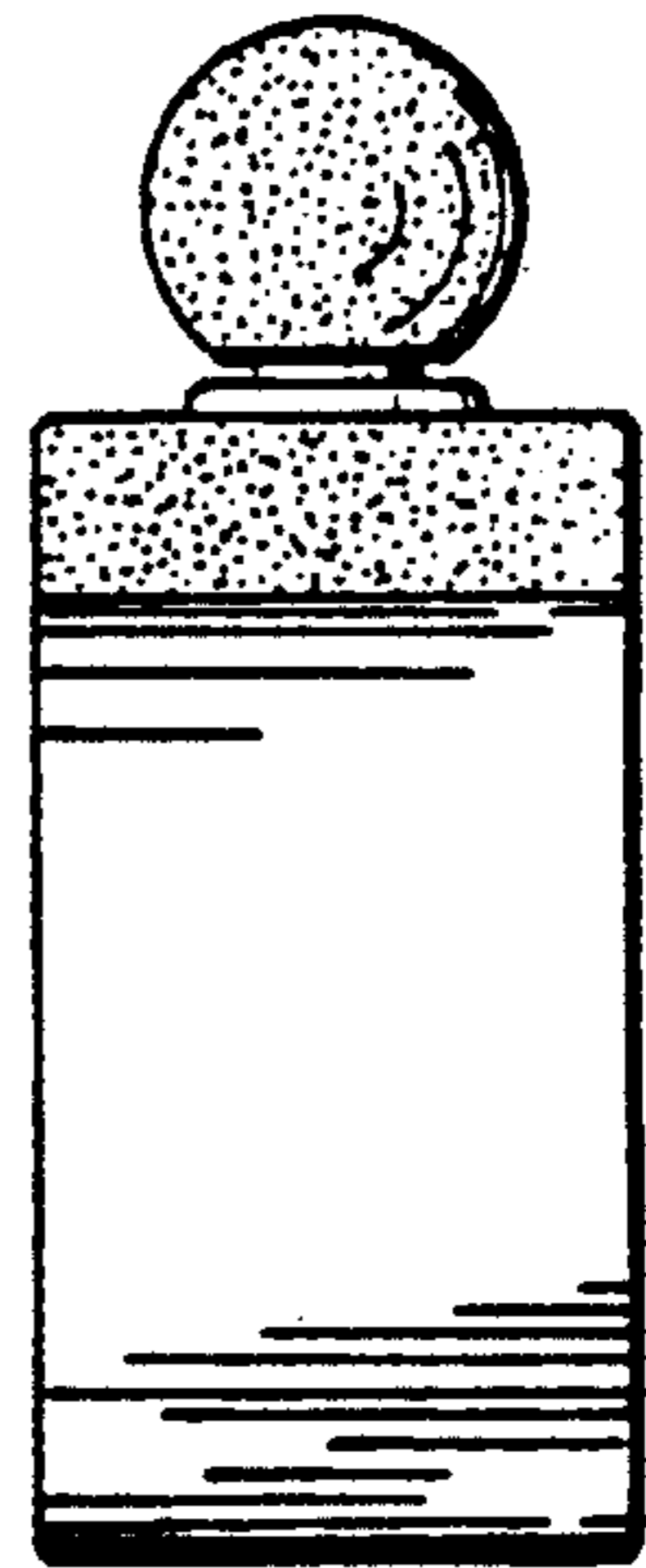


FIG. 3

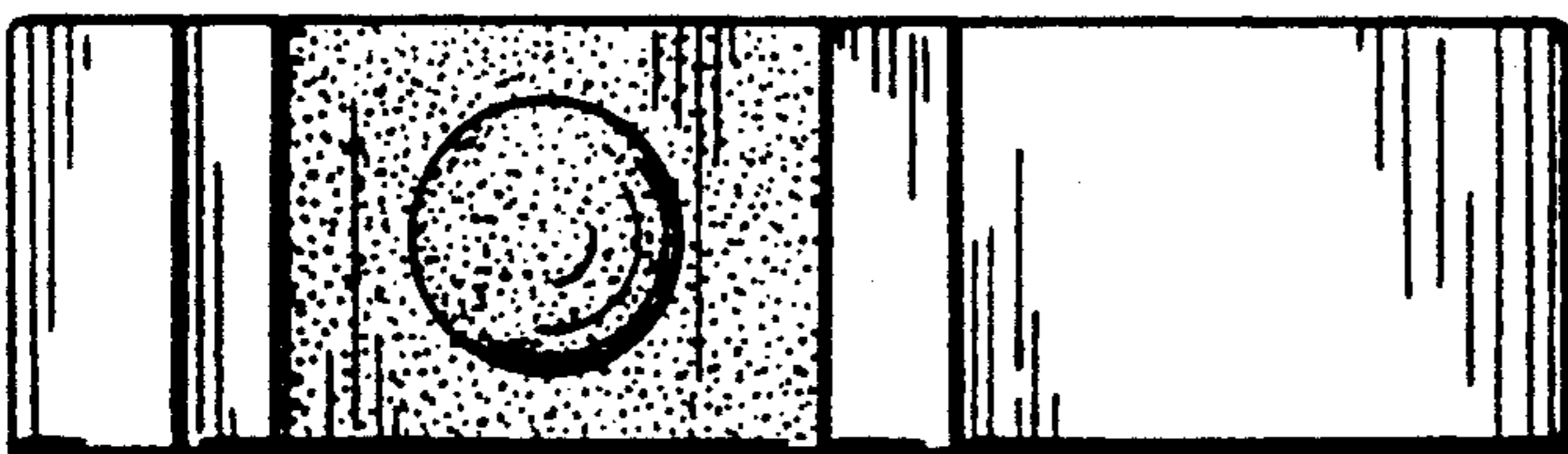


FIG. 4

