



US00D335440S

United States Patent [19]

[11] Patent Number: **Des. 335,440**

Wilson

[45] Date of Patent: **** May 11, 1993**

[54] **HOOK FOR ATTACHING THE NET TO THE FRAME OF A PORTABLE GOAL**

4,476,983 10/1984 Fast D8/396 X

[76] Inventor: **John Wilson, 101 John Street, Worksop, Nottinghamshire, S80 1TH, England**

FOREIGN PATENT DOCUMENTS

0258364A1 7/1988 Fed. Rep. of Germany D21/48

[**] Term: **14 Years**

Primary Examiner—Susan J. Lucas
Attorney, Agent, or Firm—Trexler, Bushnell, Giangiorgi & Blackstone, Ltd.

[21] Appl. No.: **578,867**

[57] CLAIM

[22] Filed: **Sep. 6, 1990**

The ornamental design for a hook for attaching the net to the frame of a portable goal, as shown and described.

[52] U.S. Cl. **D8/367**

[58] Field of Search D8/367, 398, 389, 396, D8/385, 370, 356, 354, 383; 24/115 K, 265 D, 300; D21/258, 48; D12/317; 248/500

DESCRIPTION

[56] References Cited

U.S. PATENT DOCUMENTS

D. 29,728	11/1988	Roberts	D8/389
D. 42,602	6/1912	Hagen	D8/398 X
D. 291,058	7/1987	Sorenson	D8/356
D. 309,251	7/1990	Palmer	D8/354 X
2,274,528	2/1942	Chance	24/115 K
3,283,383	11/1966	Heath	D8/370 X
3,467,351	9/1969	Feurerer	24/115 K
3,533,890	10/1970	Nesbit	D8/367 X
4,072,113	2/1978	Thurston	24/115 K X

FIG. 1 is a perspective view of a hook for attaching the net to the frame of a portable goal showing my new design, the broken line showing a hooked net is for environmental illustration only and forms no part of the claimed design;

FIG. 2 is a top plan view of the hook for attaching the net of the frame of a portable goal in FIG. 1 (omitting the net);

FIG. 3 is a front elevational view thereof (the rear being a mirror image);

FIG. 4 is a side elevational view thereof (the opposite side being a mirror image); and,

FIG. 5 is a bottom plan view thereof.

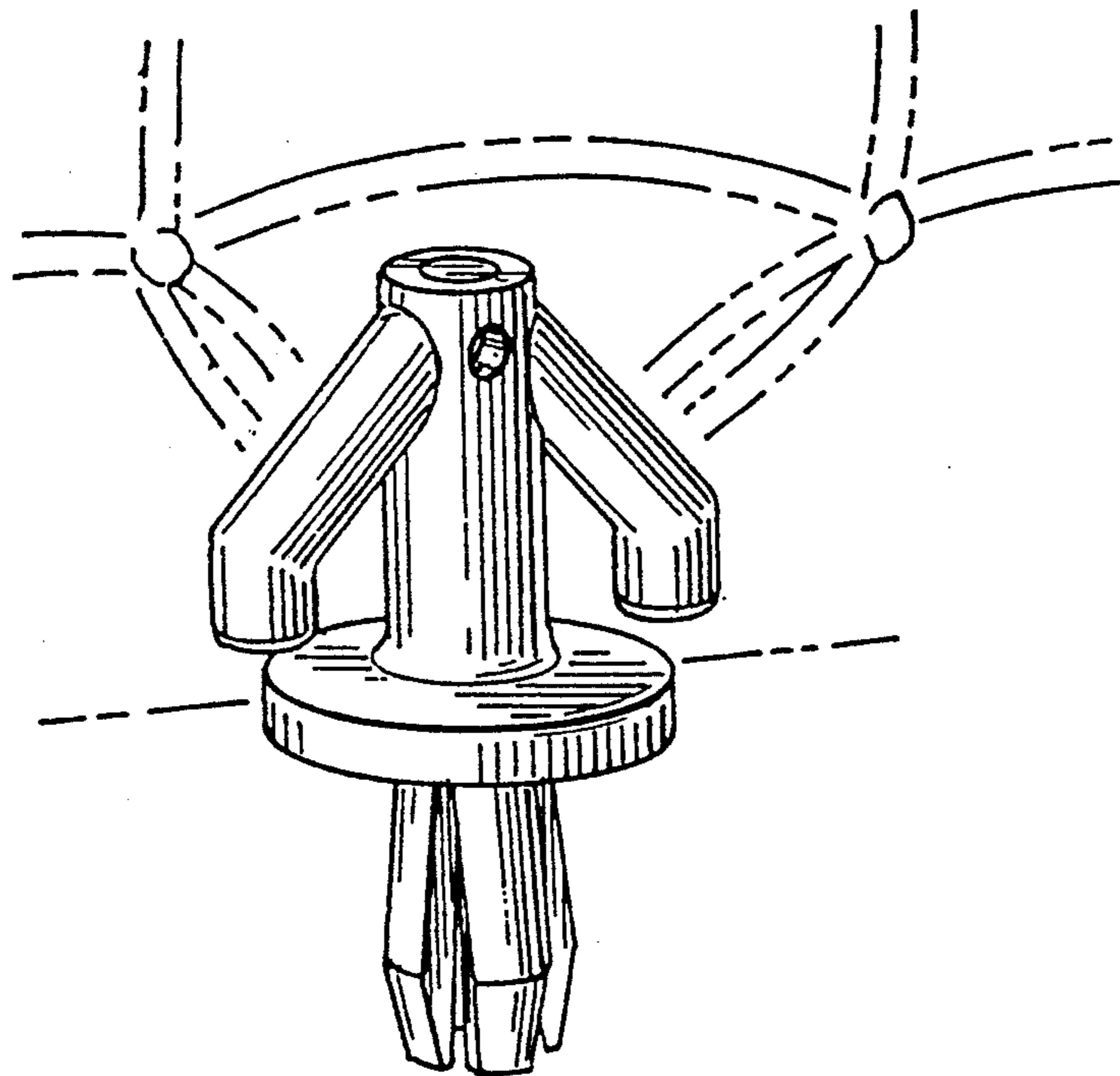


Fig. 1

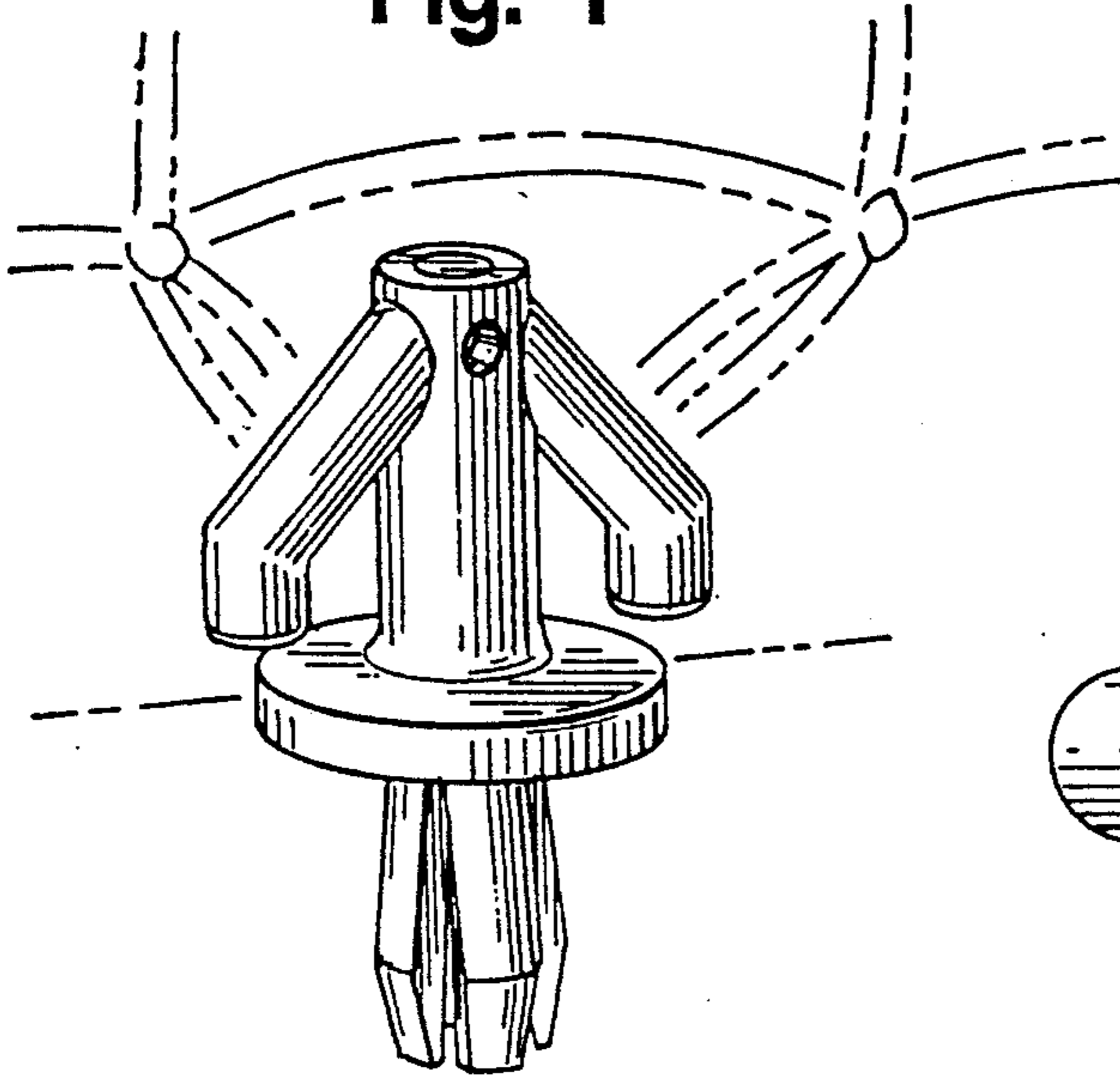


Fig. 2

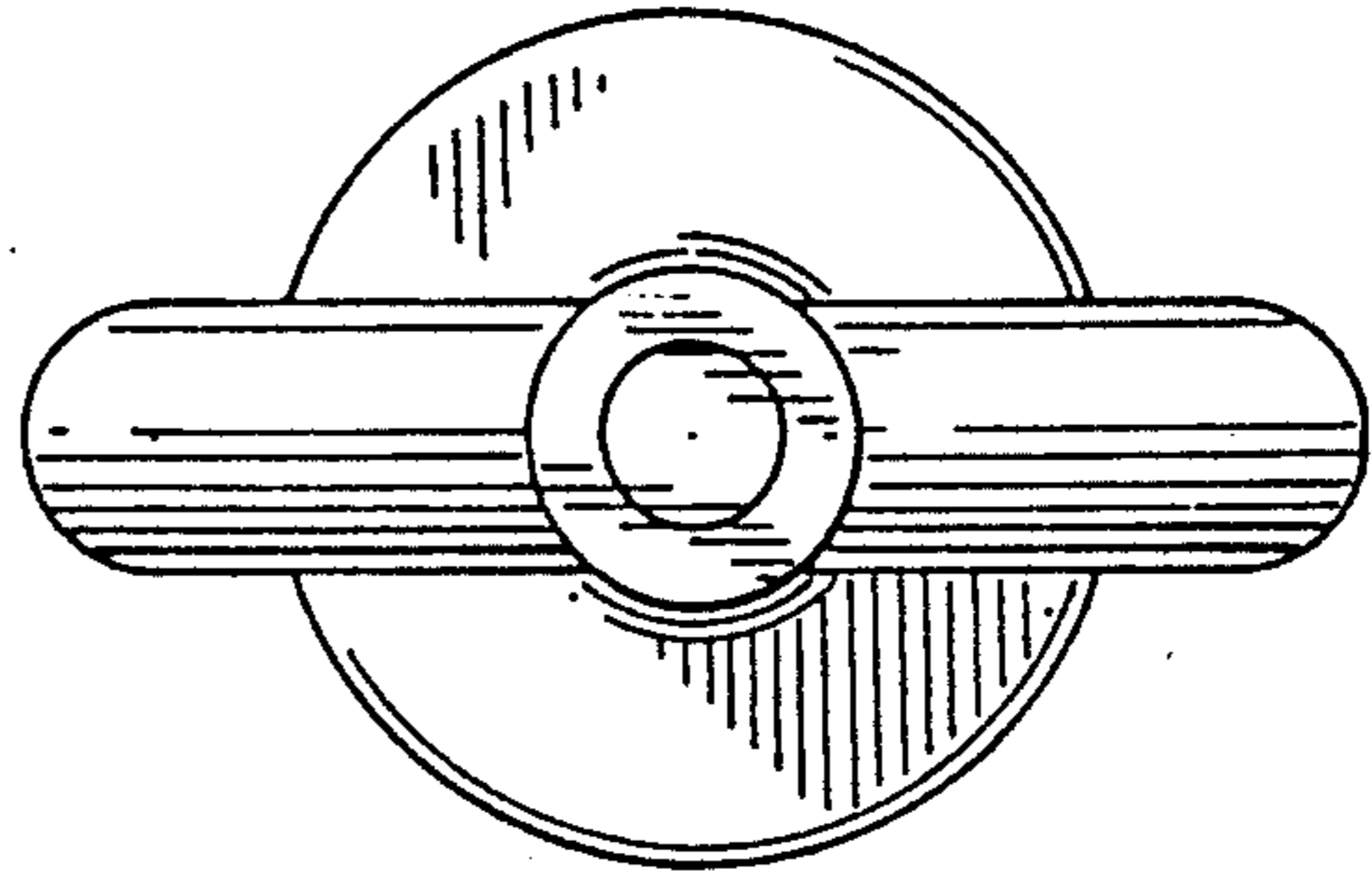


Fig. 4

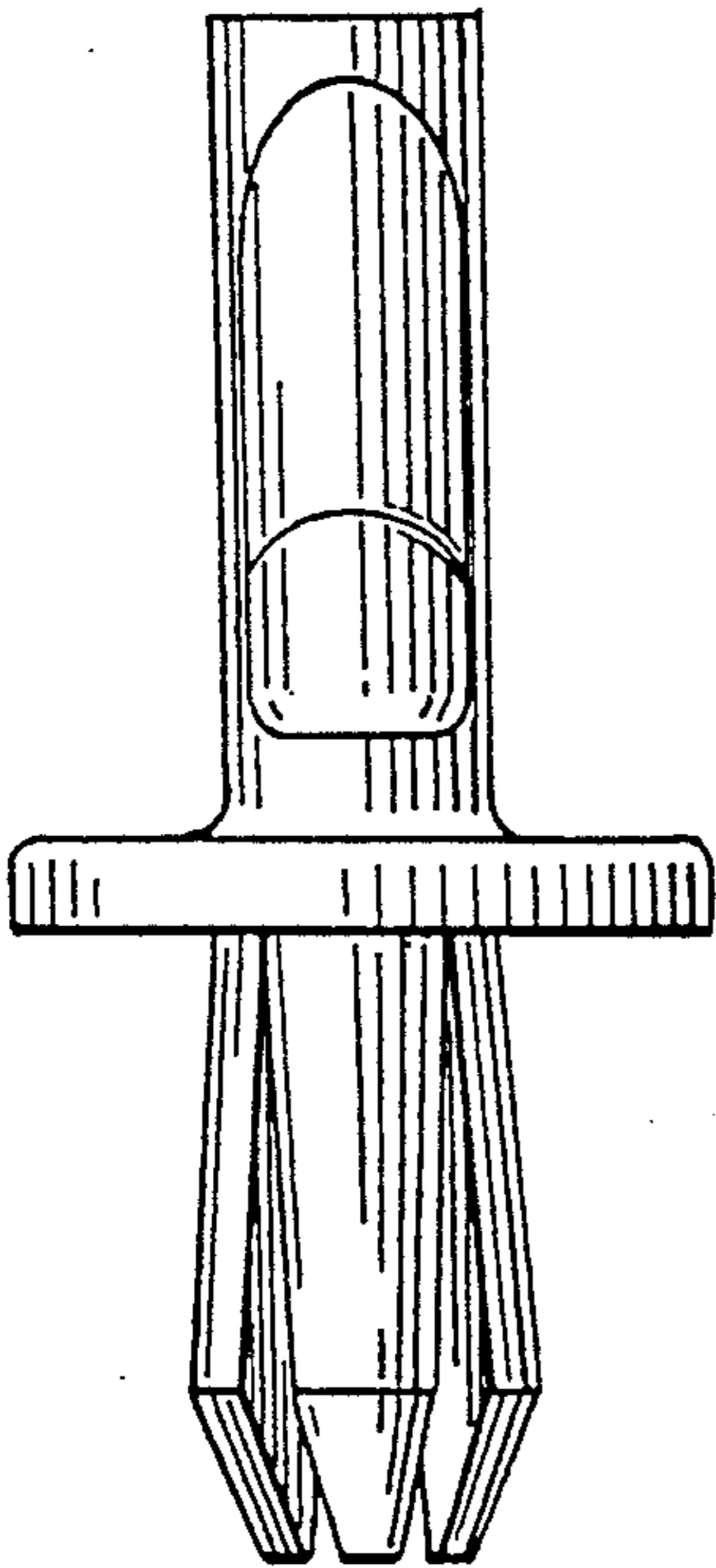


Fig. 3

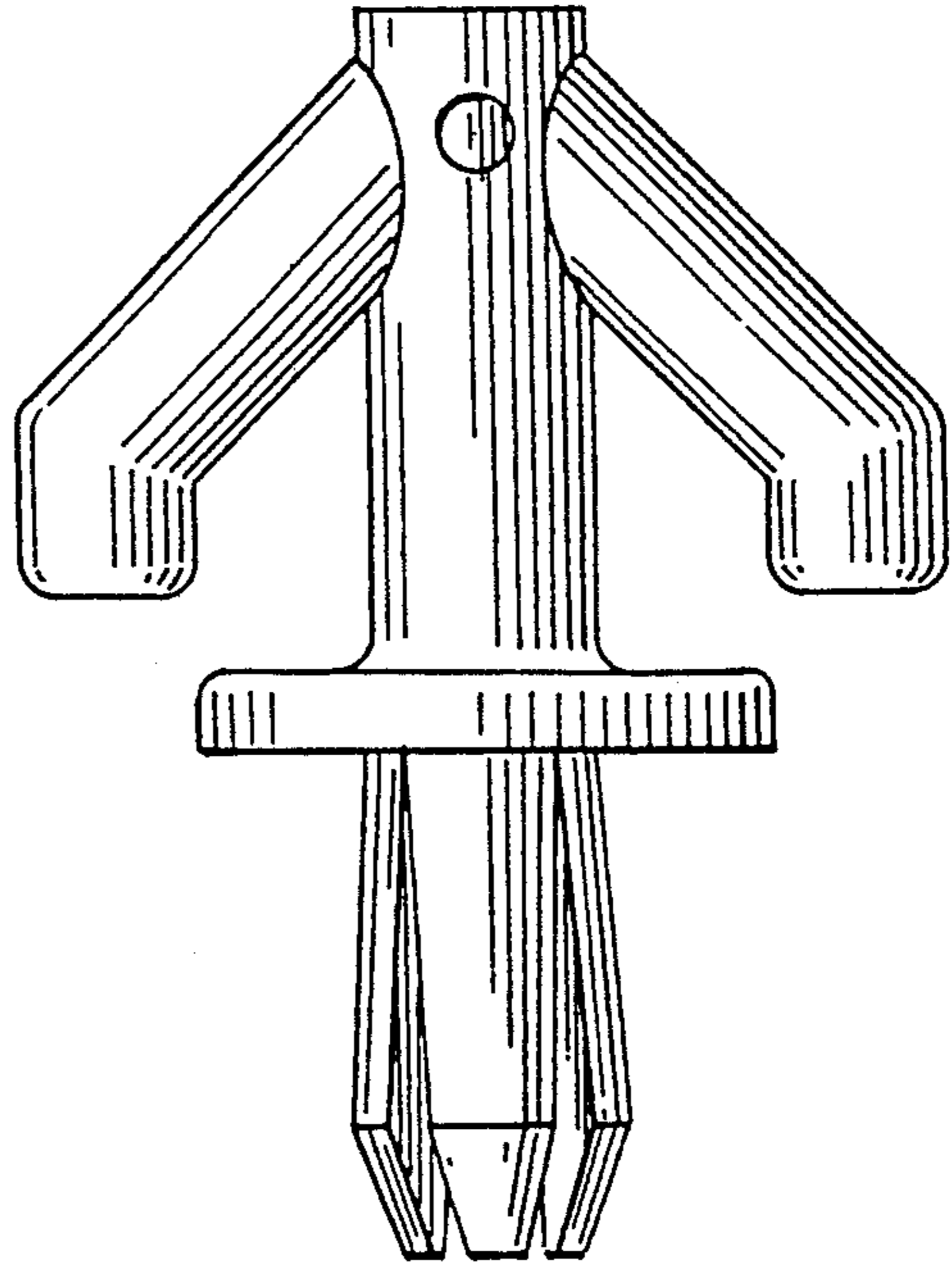


Fig. 5

