



US00D335433S

United States Patent [19]

[11] Patent Number: **Des. 335,433**

Schultz et al.

[45] Date of Patent: **** May 11, 1993**

- [54] PORTABLE CIRCULAR SAW
- [75] Inventors: William H. Schultz, Northbrook; C. Robert Moon, Joliet, both of Ill.
- [73] Assignee: Skil Corporation, Chicago, Ill.
- [**] Term: 14 Years
- [21] Appl. No.: 664,644
- [22] Filed: Mar. 1, 1991
- [52] U.S. Cl. D8/66
- [58] Field of Search D8/61, 64, 66; 30/370, 30/374, 375, 376, 388, 390, 391

- D. 315,854 4/1991 Kawakami D8/69
- 3,447,577 6/1969 Burrows et al. 30/390

Primary Examiner—Alan P. Douglas
Assistant Examiner—J. H. Musgrove
Attorney, Agent, or Firm—Jones, Day, Reavis & Pogue

[57] CLAIM

The ornamental design for a portable circular saw, as shown and described.

DESCRIPTION

FIG. 1 is a top, front and left side perspective view of a portable circular saw embodying our new design;
 FIG. 2 is a top, rear and right side perspective view;
 FIG. 3 is a left-side elevational view;
 FIG. 4 is a right-side elevational view;
 FIG. 5 is a front elevational view;
 FIG. 6 is a rear elevational view; and,
 FIG. 7 is a top plan view thereof.

[56] References Cited

U.S. PATENT DOCUMENTS

- D. 159,043 6/1950 Bushnell D8/66
- D. 233,307 10/1974 Baycura D8/66

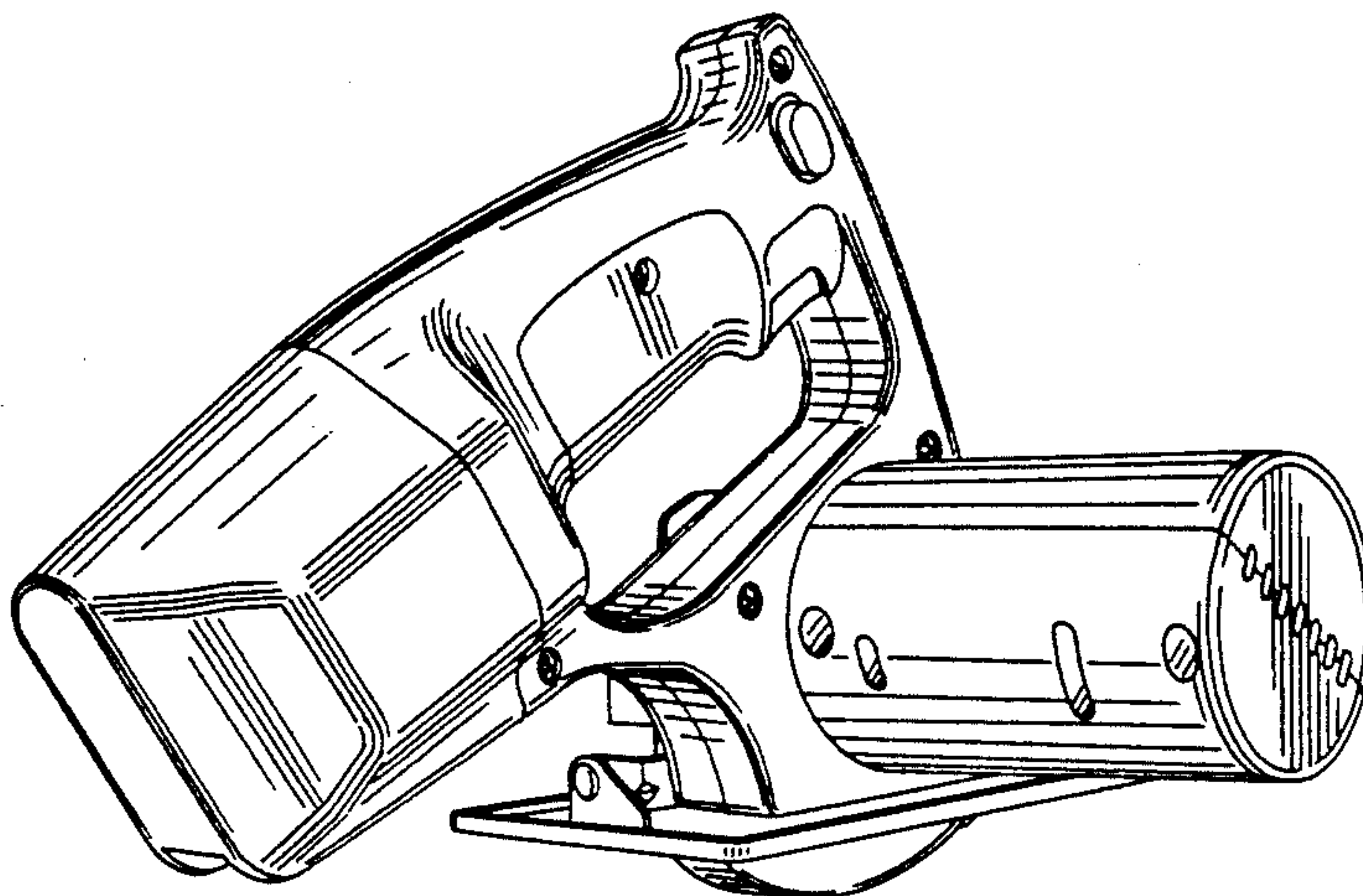
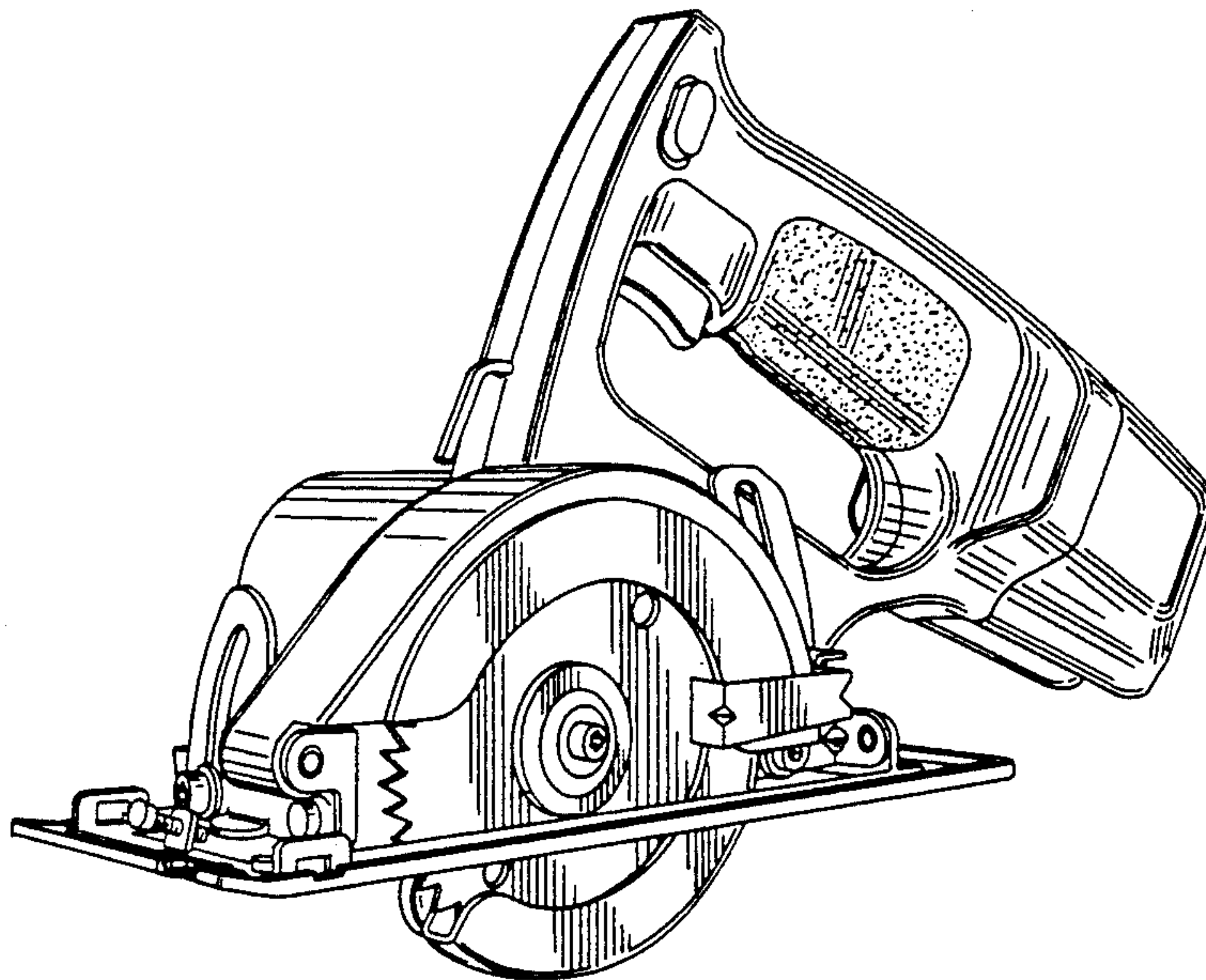


FIG. 1

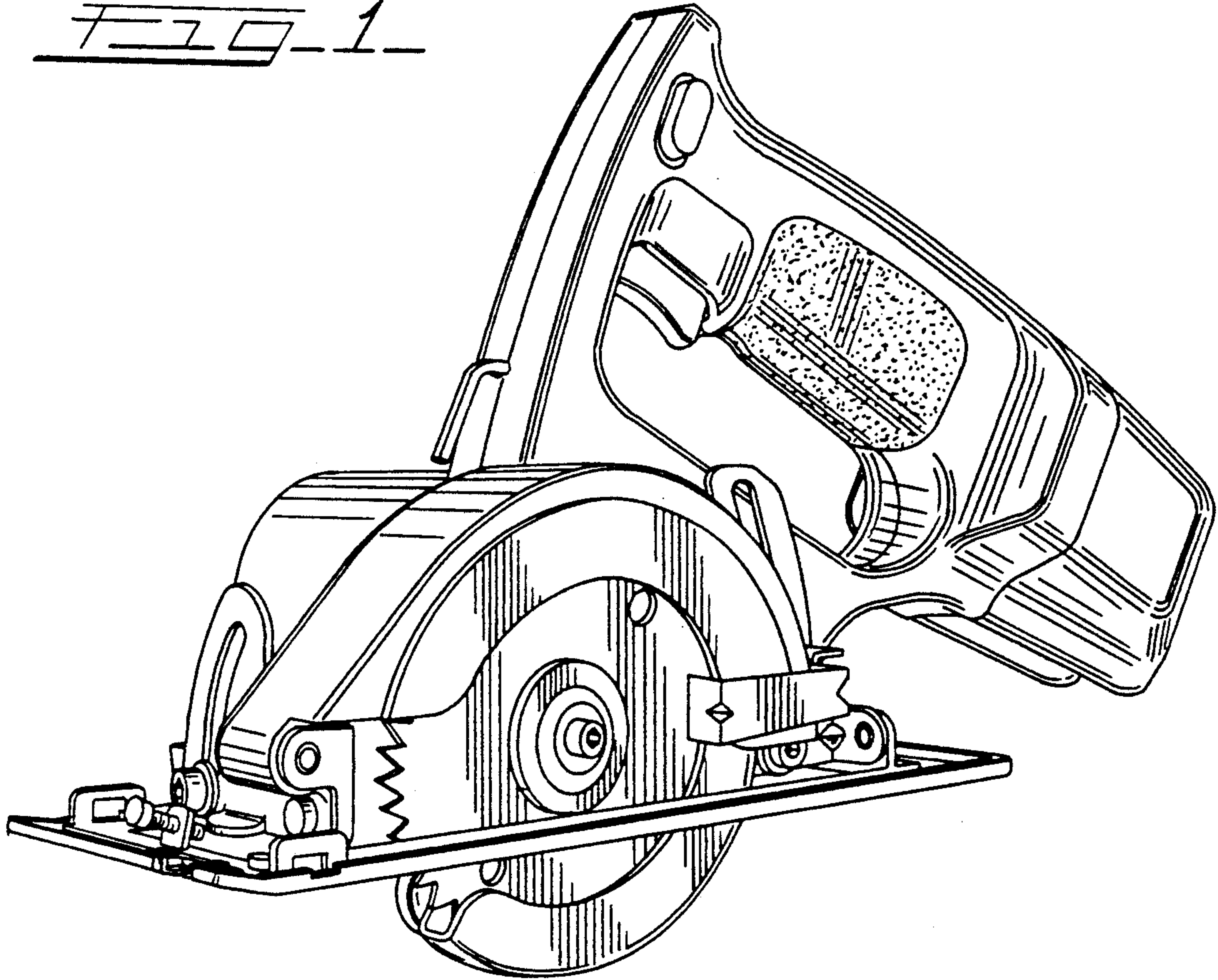


FIG. 2

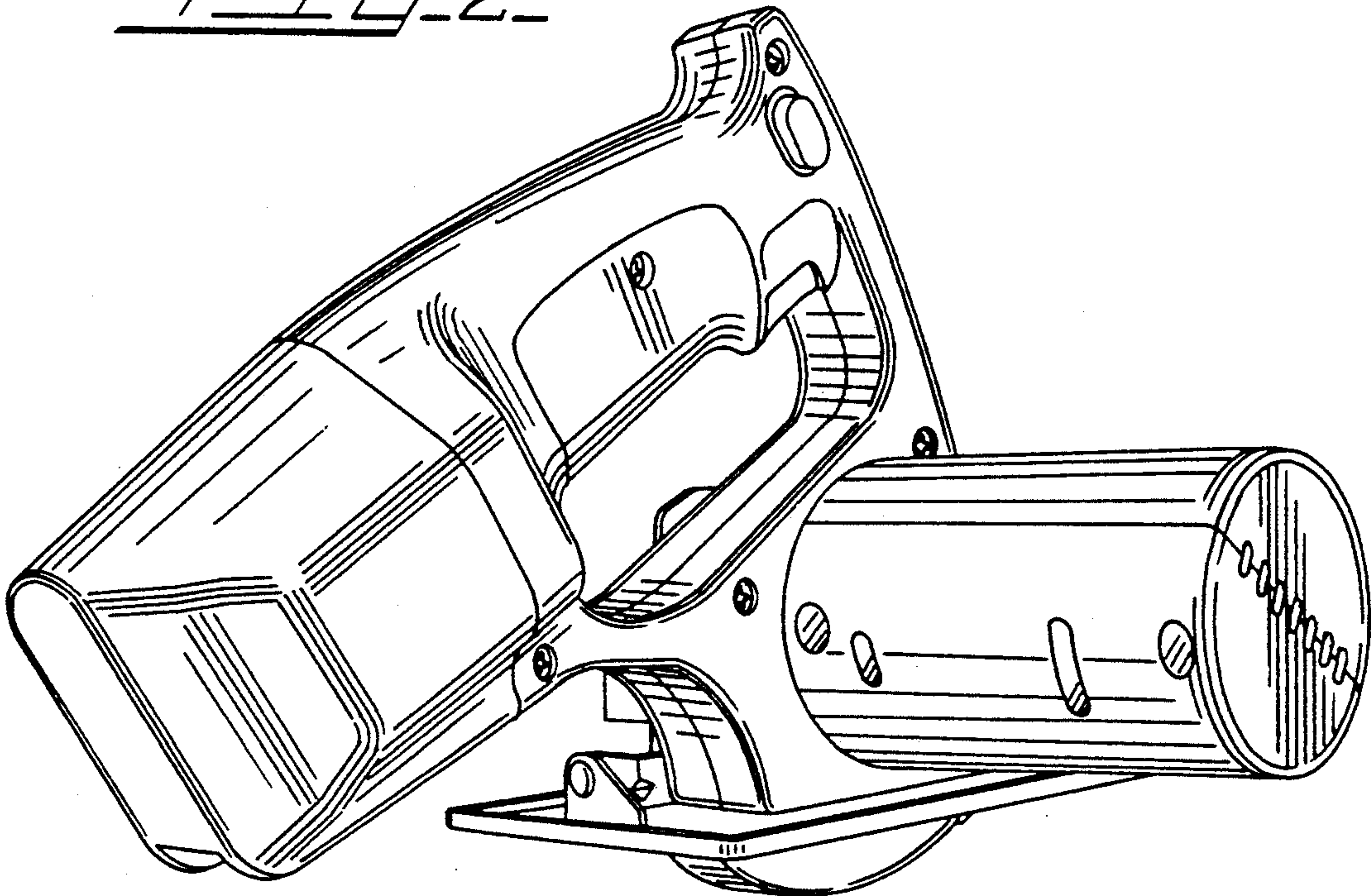


FIG. 3

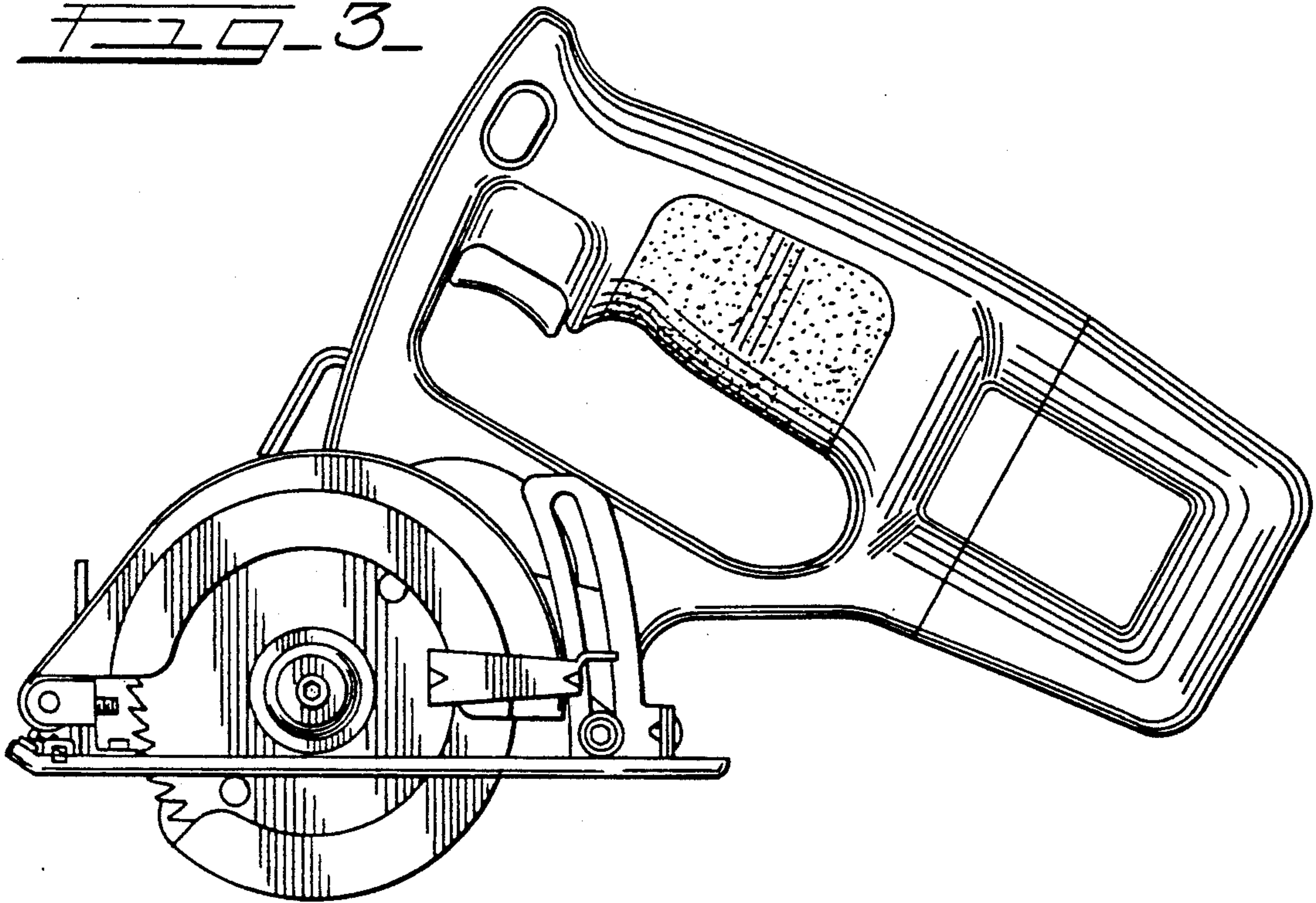


FIG. 4

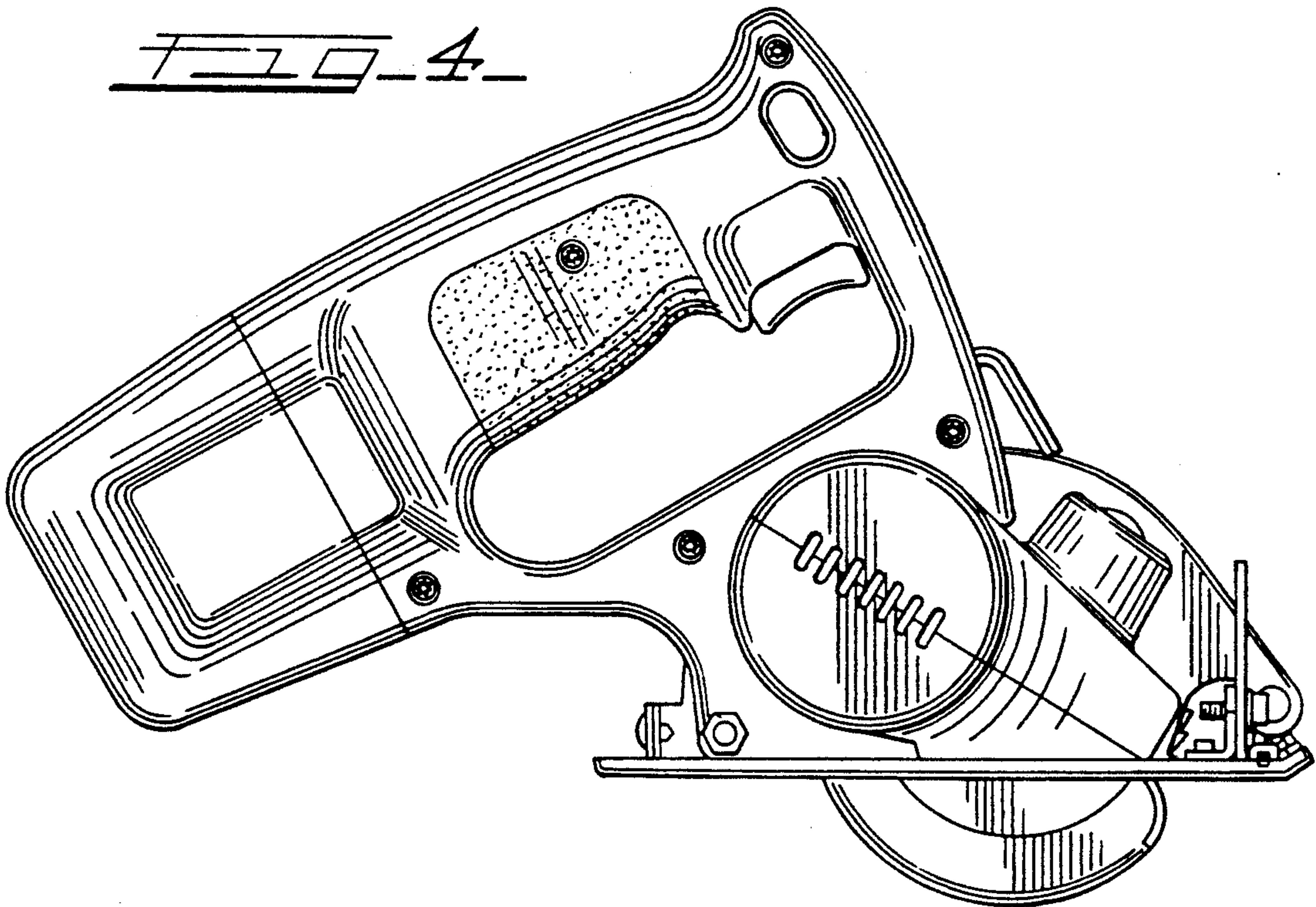


FIG. 5

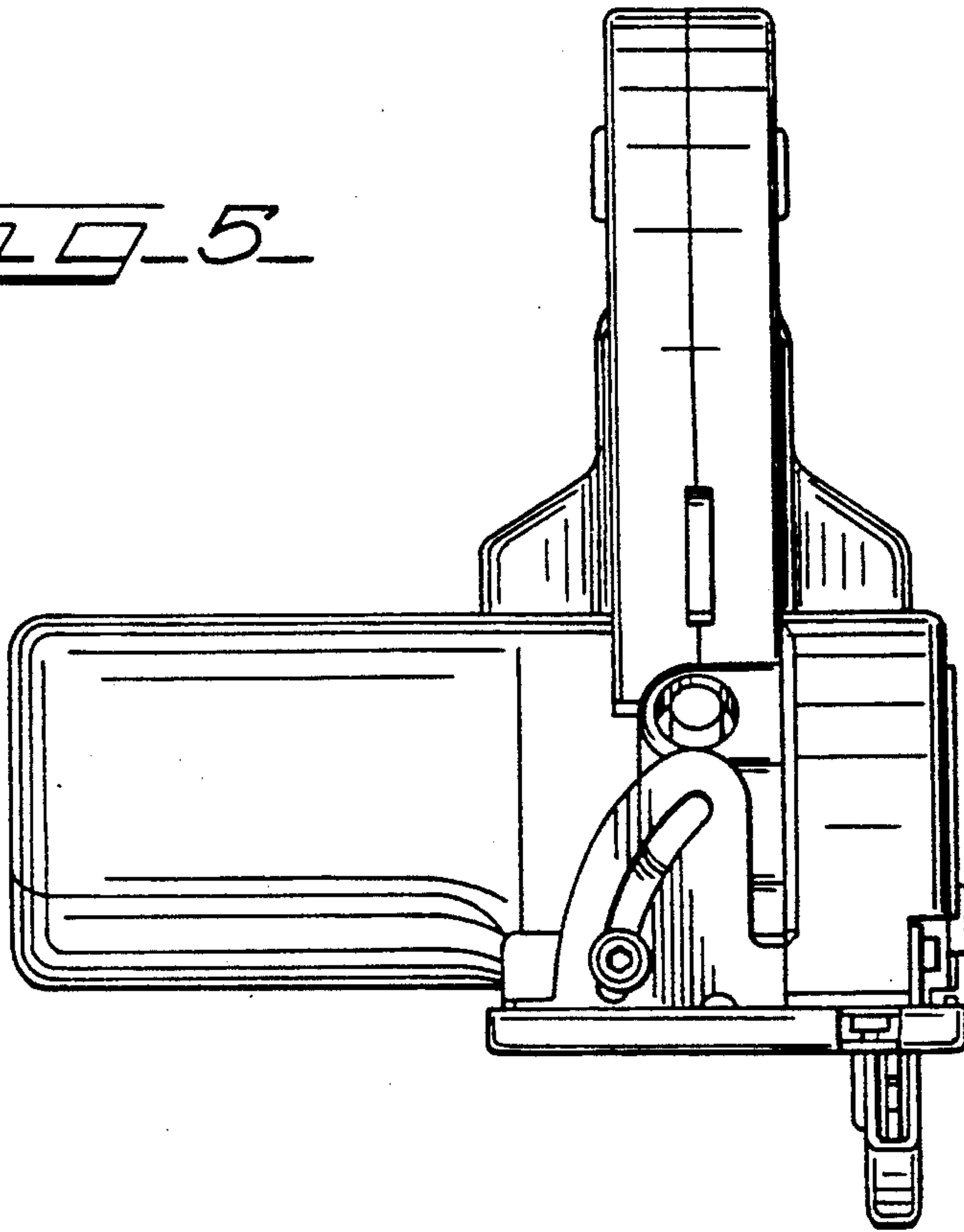


FIG. 6

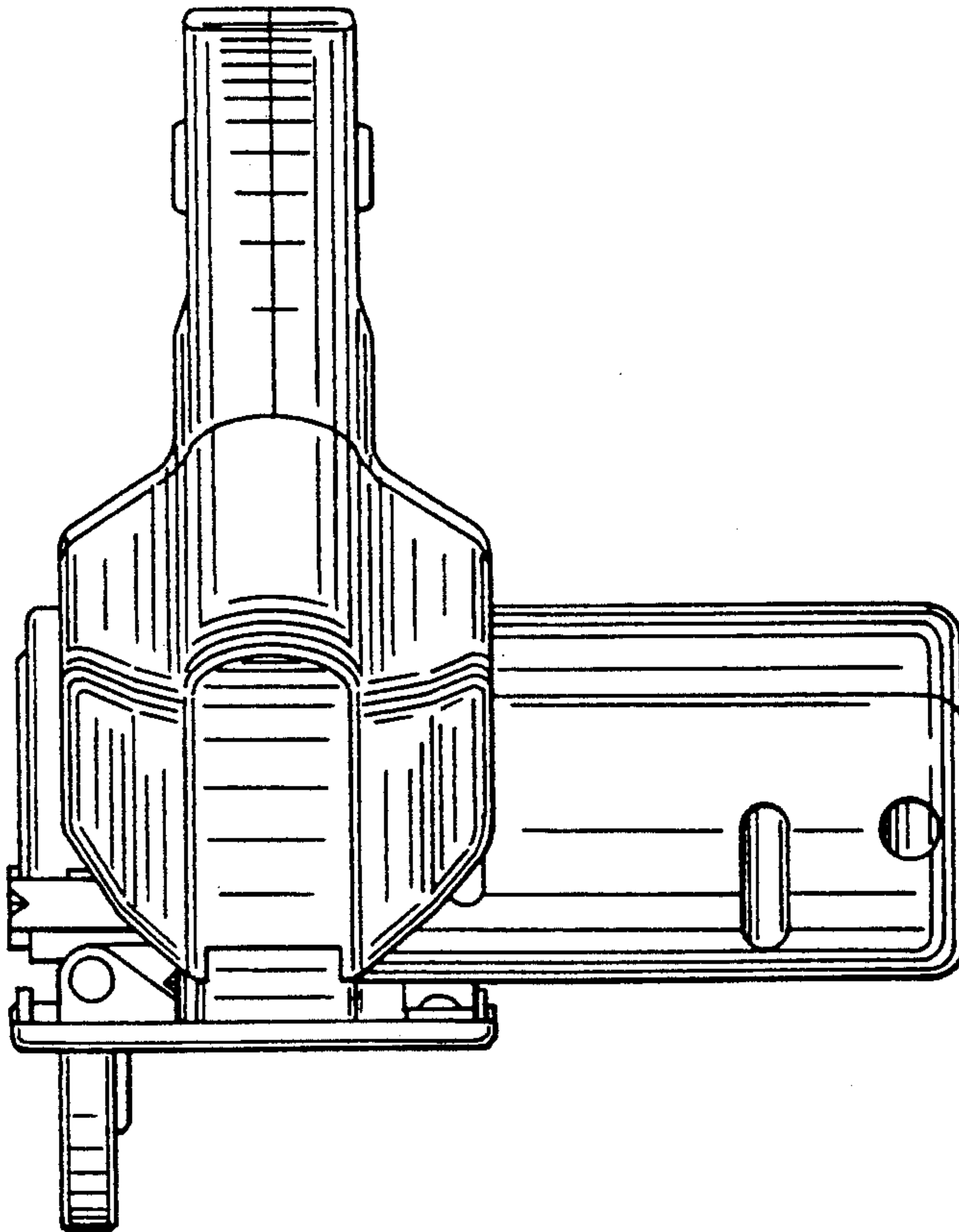


FIG. 7

