



US00D335430S

United States Patent [19]

Scott, Jr. et al.

[11] Patent Number: **Des. 335,430**

[45] Date of Patent: **** May 11, 1993**

[54] **FEMALE END CAP FOR LANDSCAPING TERRACING**

4,834,585 5/1989 Hasenwinkle 405/286
4,910,910 3/1990 Jones 47/33

[75] Inventors: **Harry W. Scott, Jr., Dover; Randall W. Britt; Kenneth L. Renfro**, both of Russellville, all of Ark.

FOREIGN PATENT DOCUMENTS

426535 4/1935 United Kingdom 52/233

[73] Assignee: **Thompson Industries Inc., Russellville, Ark.**

Primary Examiner—Wallace R. Burke
Assistant Examiner—H. Baynham
Attorney, Agent, or Firm—Stephen D. Carver

[**] Term: **14 Years**

[57] CLAIM

[21] Appl. No.: **724,359**

The ornamental design for a female end cap for landscaping terracing, as shown and described.

[22] Filed: **Jul. 1, 1991**

[52] U.S. Cl. **D8/1; D25/133**

[58] Field of Search **D8/1; D25/113, 133; 52/102, 233; 47/33**

DESCRIPTION

[56] References Cited

U.S. PATENT DOCUMENTS

1,984,393 12/1934 Brown D25/113 X
4,537,001 8/1985 Uppström D25/113 X
4,767,232 8/1988 Francis 403/91
4,787,475 11/1988 Arteau et al. 182/82

FIG. 1 is a front perspective view of our new female end cap for landscaping terracing;
FIG. 2 is a rear perspective view thereof;
FIG. 3 is a top plan view thereof;
FIG. 4 is a bottom plan view thereof;
FIG. 5 is a front view thereof;
FIG. 6 is a rear view thereof; and,
FIG. 7 is a side elevational view thereof, the opposite side comprising a mirror image.

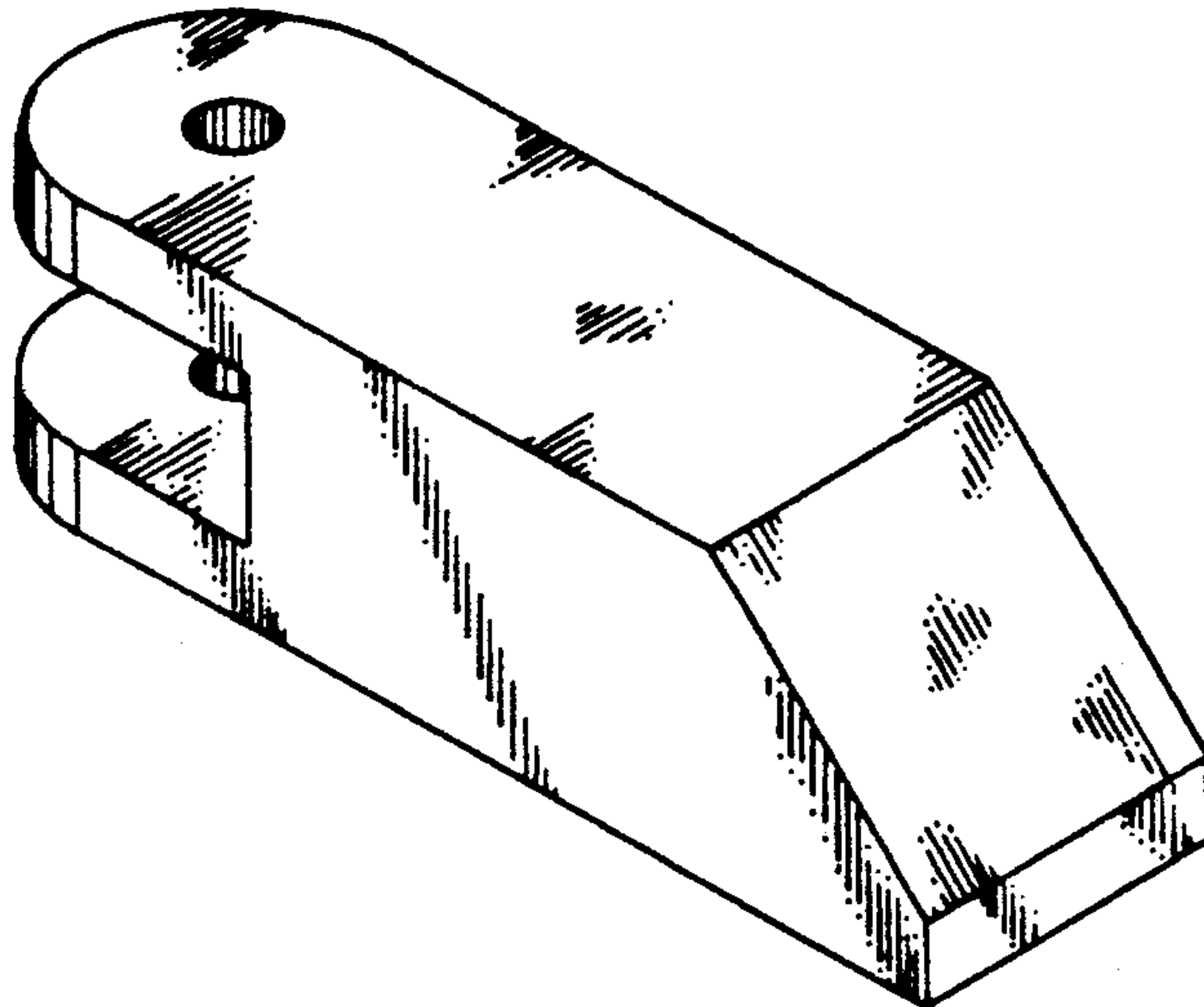


FIG. 1

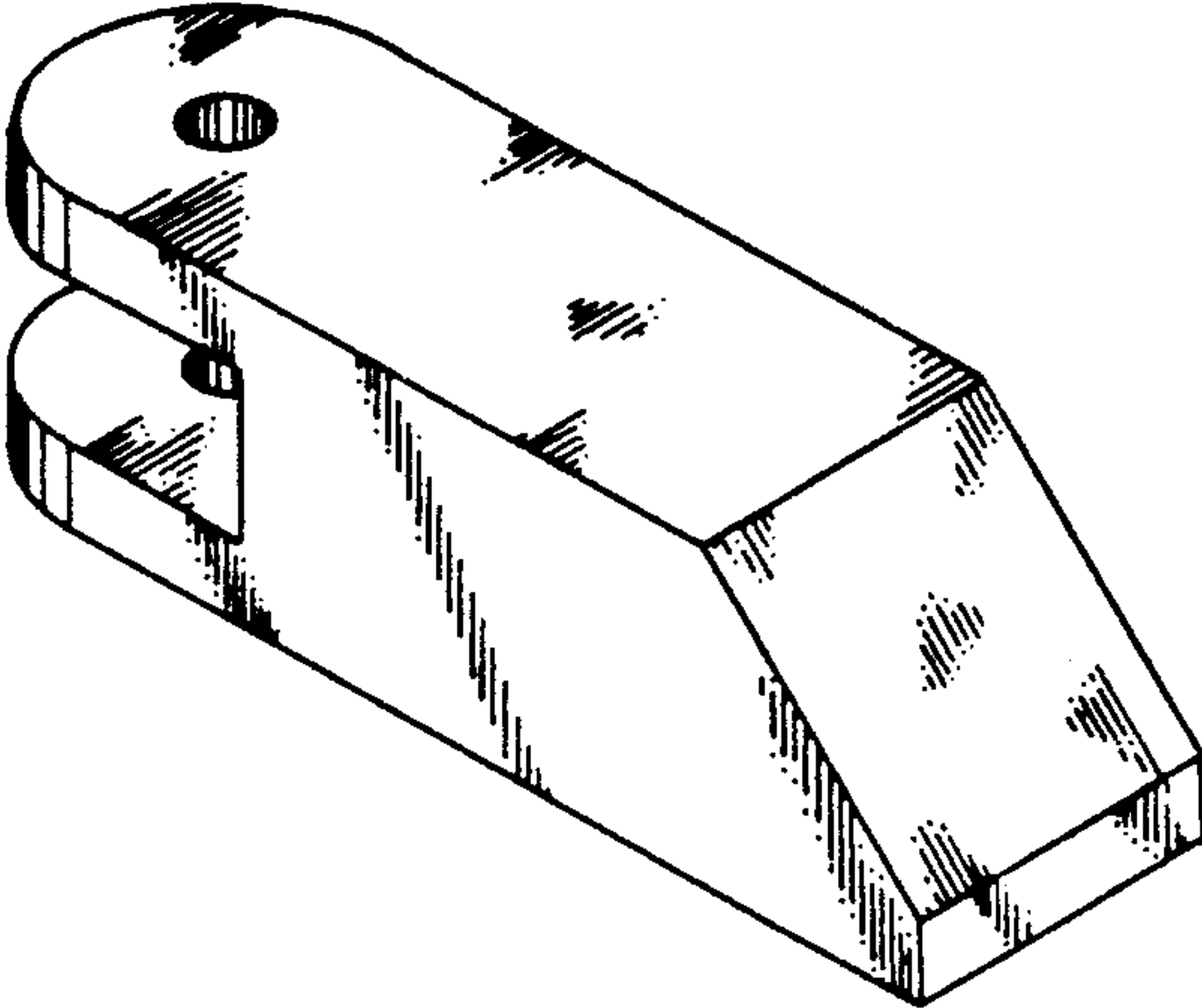


FIG. 2

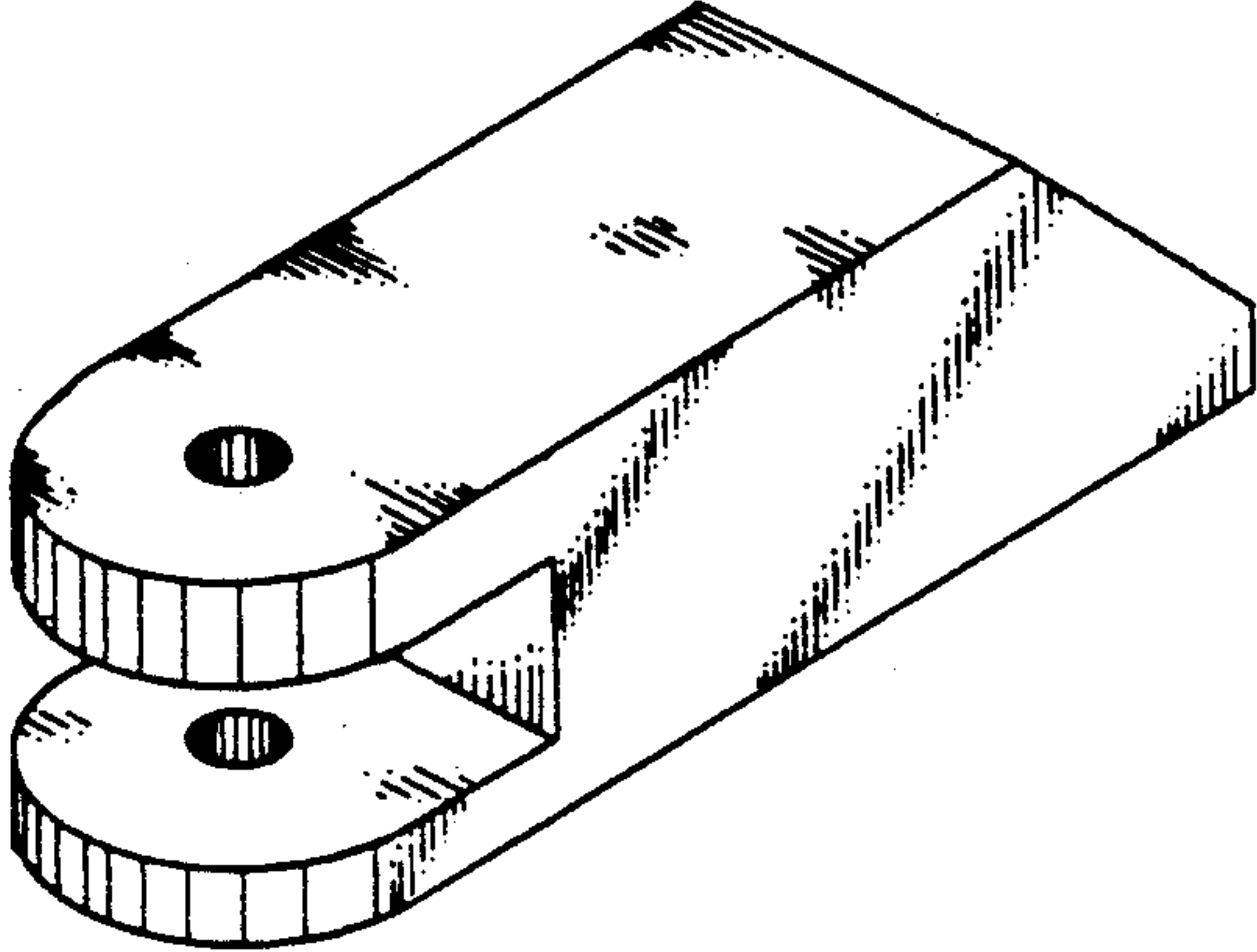


FIG. 3

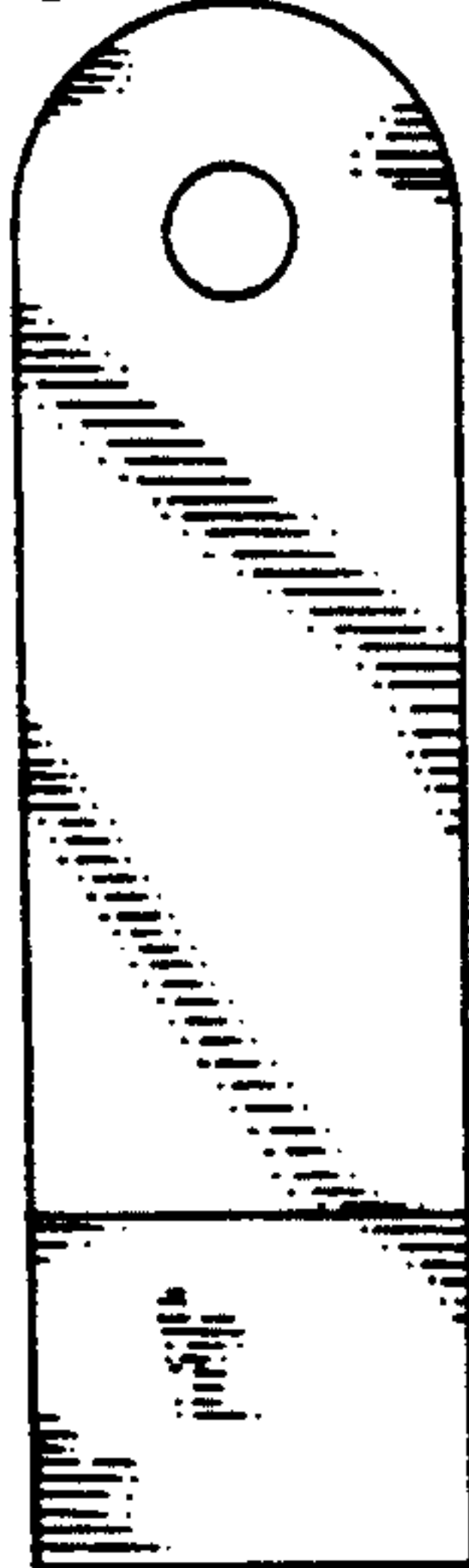


FIG. 5

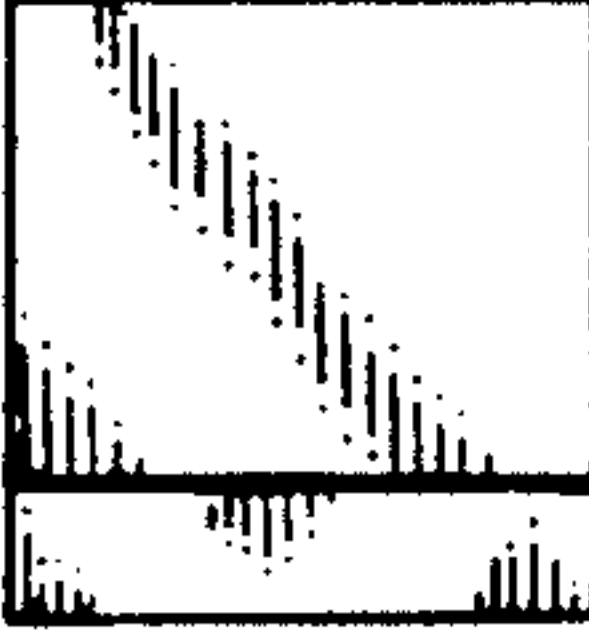


FIG. 6



FIG. 4



FIG. 7

