



US00D335427S

# United States Patent [19]

[11] Patent Number: **Des. 335,427**

Husted

[45] Date of Patent: **\*\* May 11, 1993**

[54] **DRY FOOD STORAGE CONTAINER**

*Primary Examiner—Terry A. Pfeffer  
Attorney, Agent, or Firm—Kinney & Lange*

[76] Inventor: **Wayne D. Husted**, 2960 Scott St., San Francisco, Calif. 94123

[57] **CLAIM**

[\*\*] Term: **14 Years**

The ornamental design for a dry food storage container, as shown and described.

[21] Appl. No.: **718,849**

**DESCRIPTION**

[22] Filed: **Jun. 20, 1991**

FIG. 1 is a top perspective view of the dry food storage container showing my new design;

[52] U.S. Cl. .... **D7/589**

FIG. 2 is a top plan view thereof;

[58] Field of Search ..... **D7/589; D6/515;**

FIG. 3 is a bottom plan view thereof;

**222/368, 369**

FIG. 4 is a front elevational view thereof;

FIG. 5 is a rear elevational view thereof;

[56] **References Cited**

**U.S. PATENT DOCUMENTS**

D. 161,839 2/1951 Hoagland ..... **D7/589 X**

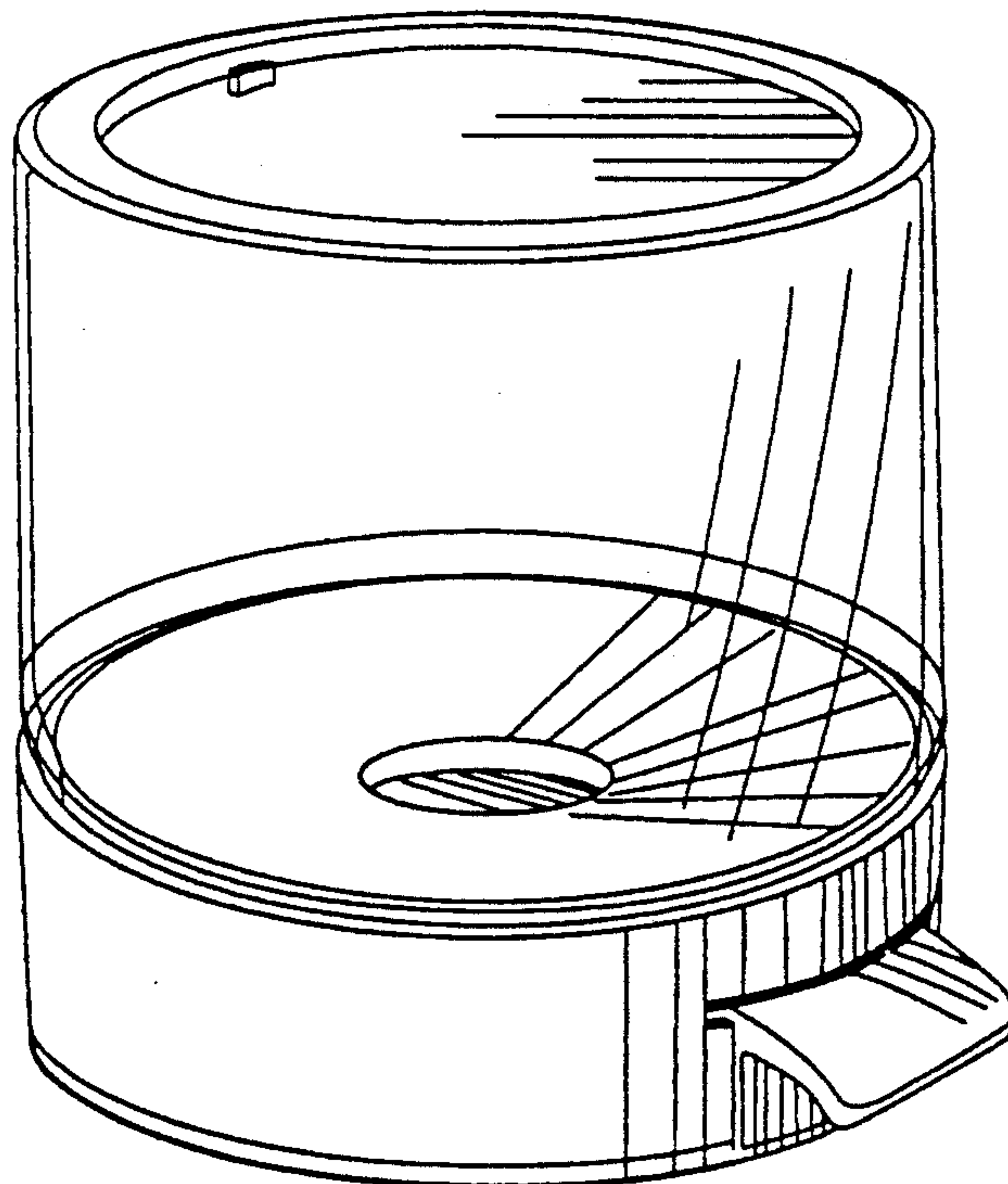
D. 204,310 4/1966 Scheurn ..... **D7/589**

FIG. 6 is a left side elevational view thereof;

FIG. 7 is a right side elevational view thereof;

FIG. 8 is a bottom perspective view thereof; and,

FIG. 9 is an exploded perspective view thereof.



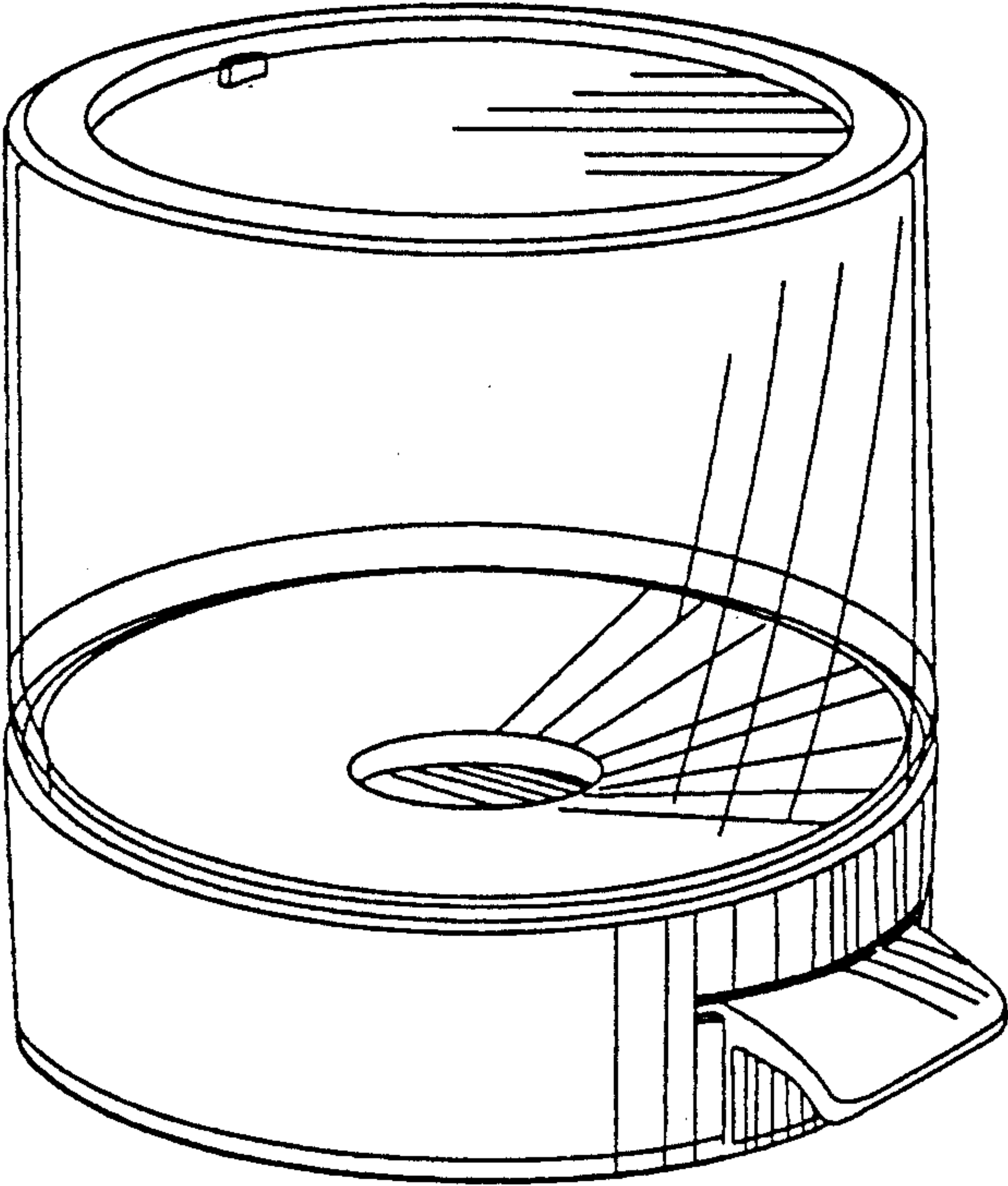


Fig 1

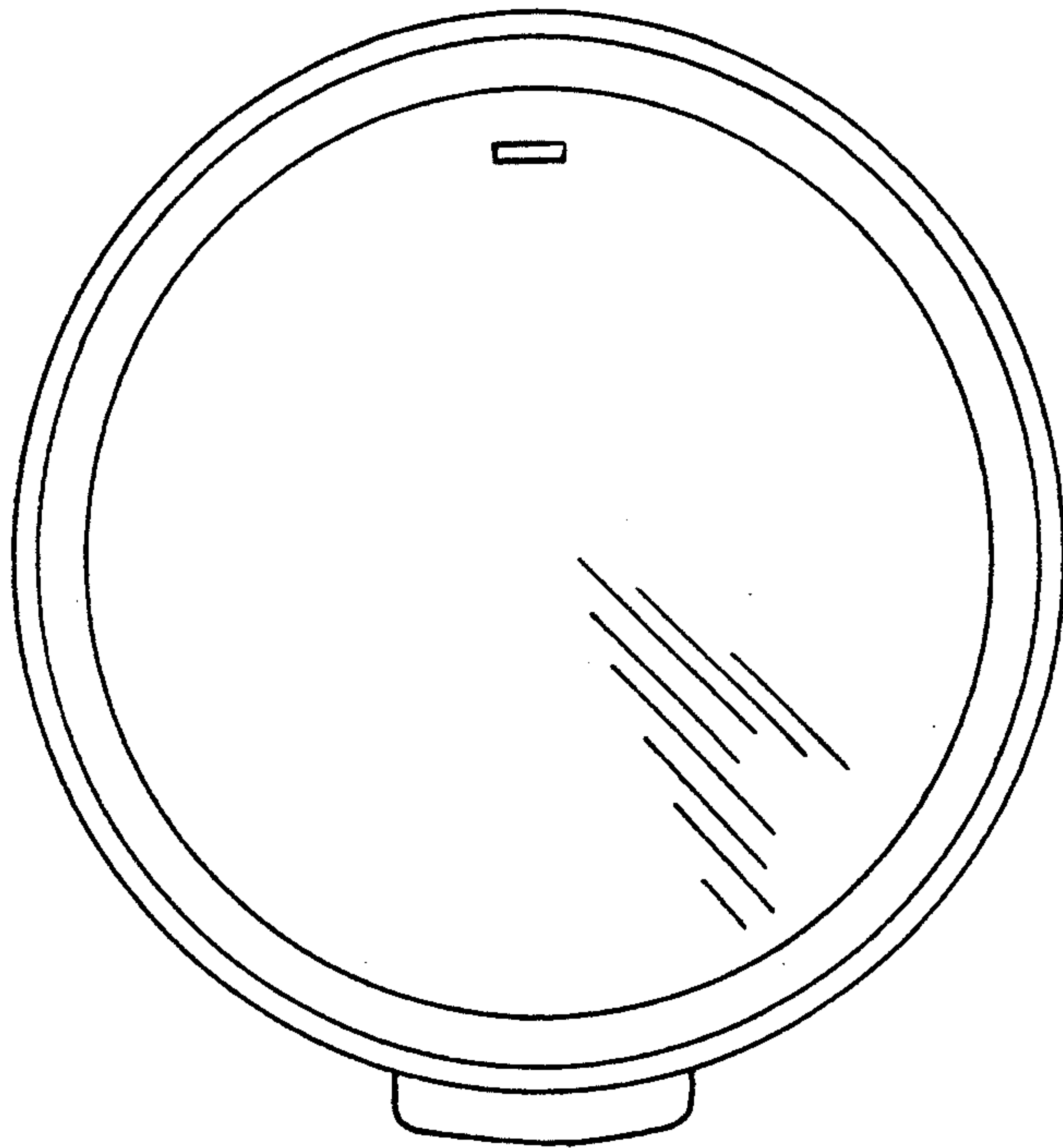


FIG 2

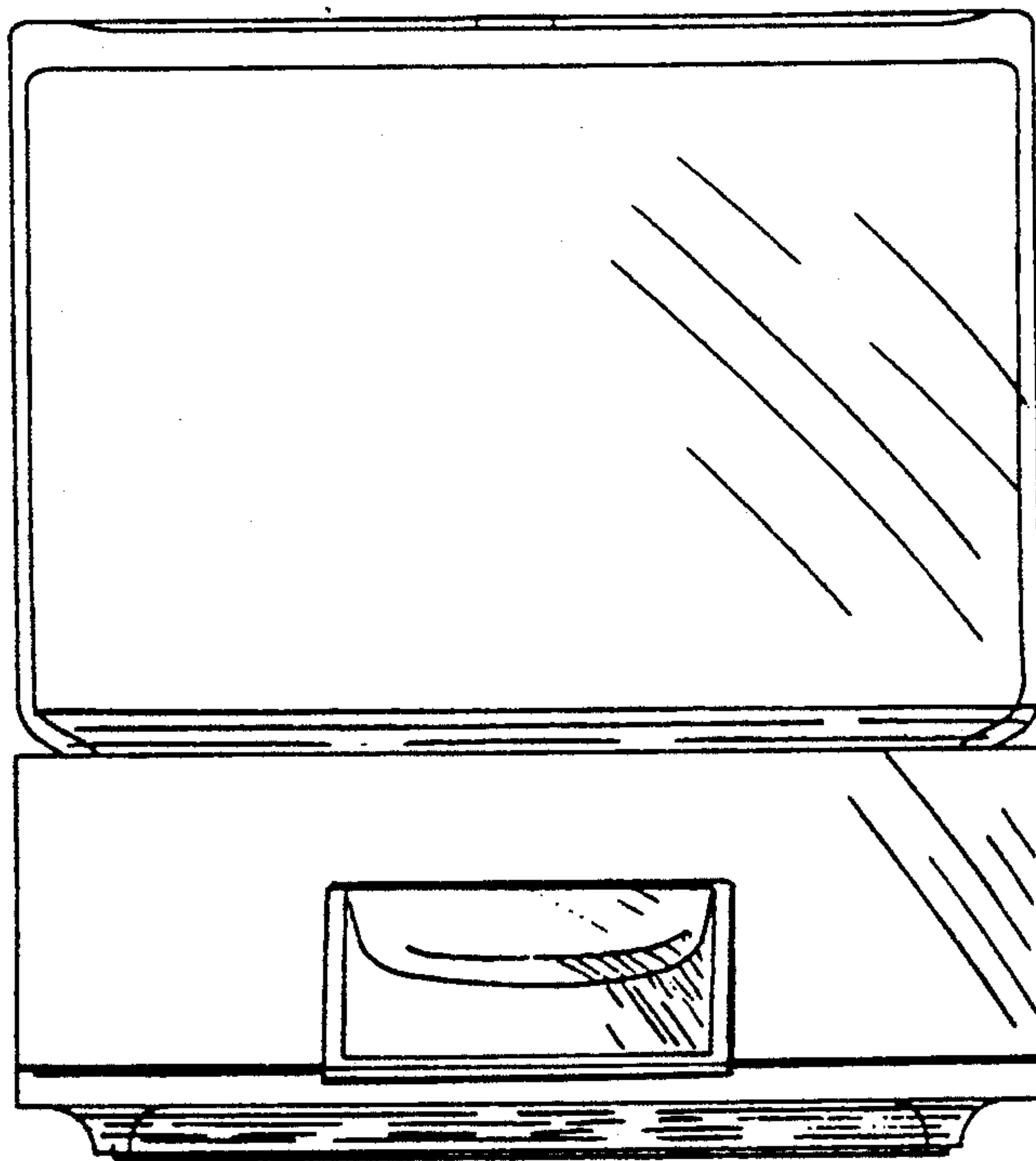


FIG 4

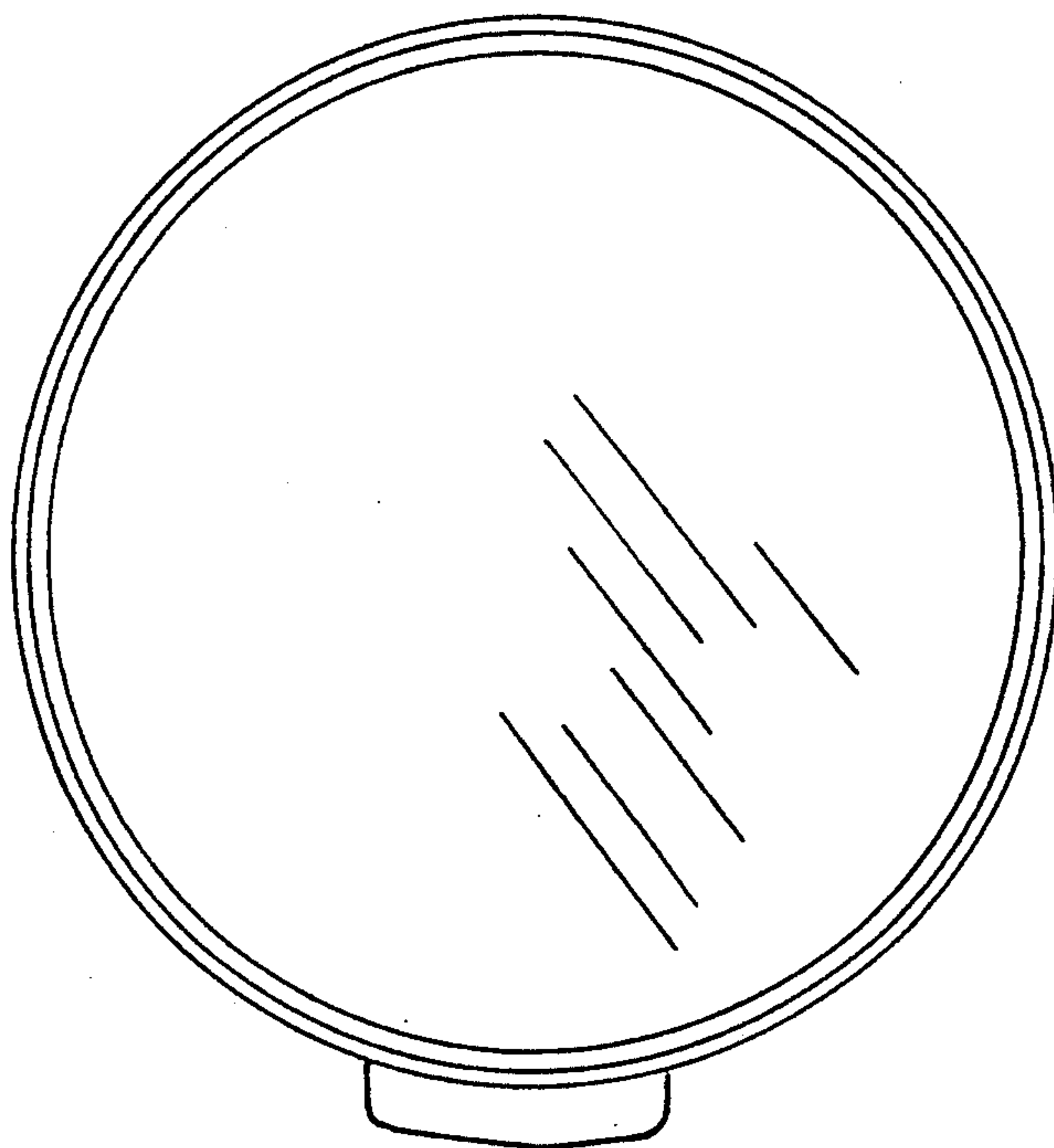


FIG 3

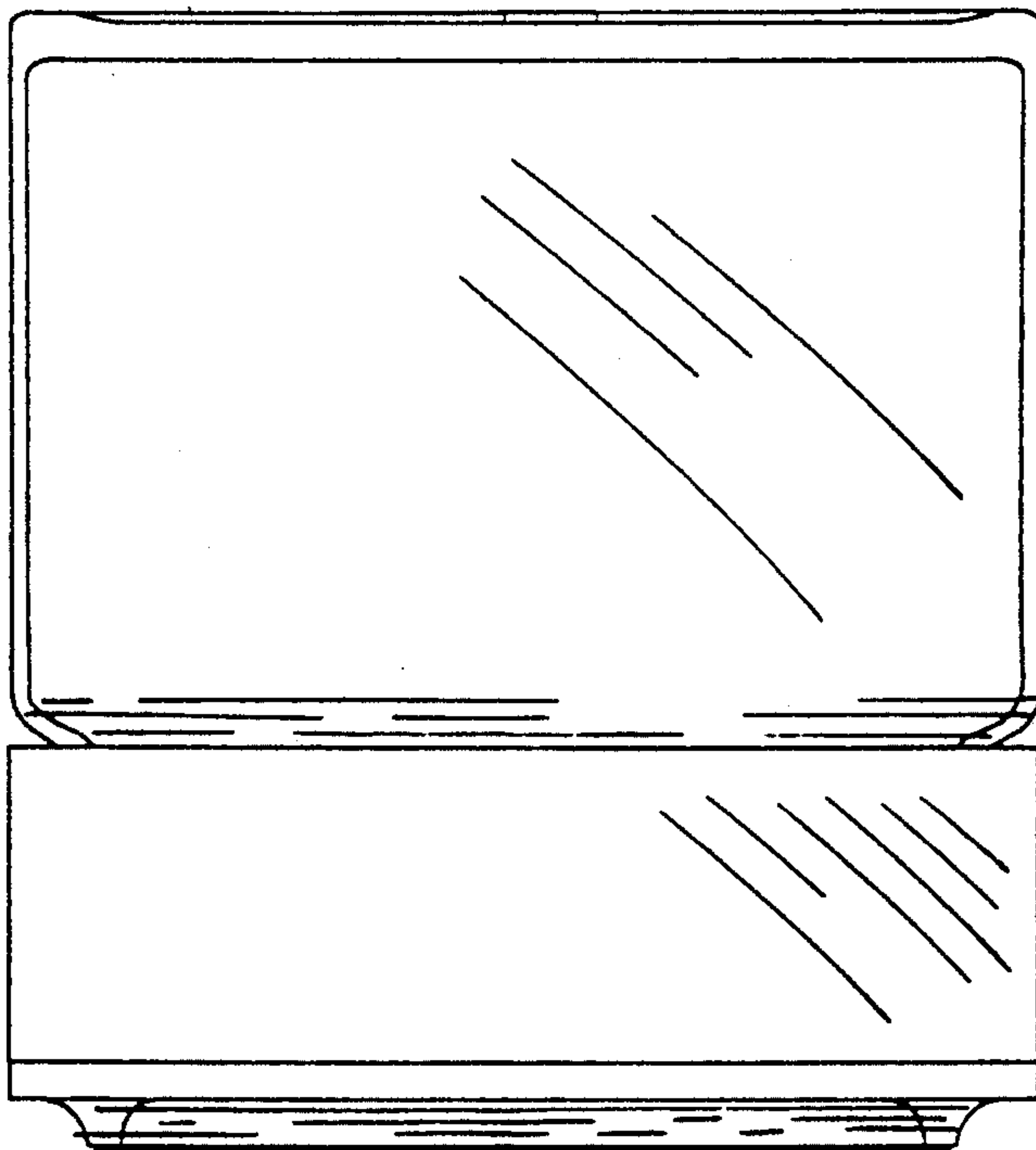


FIG 5

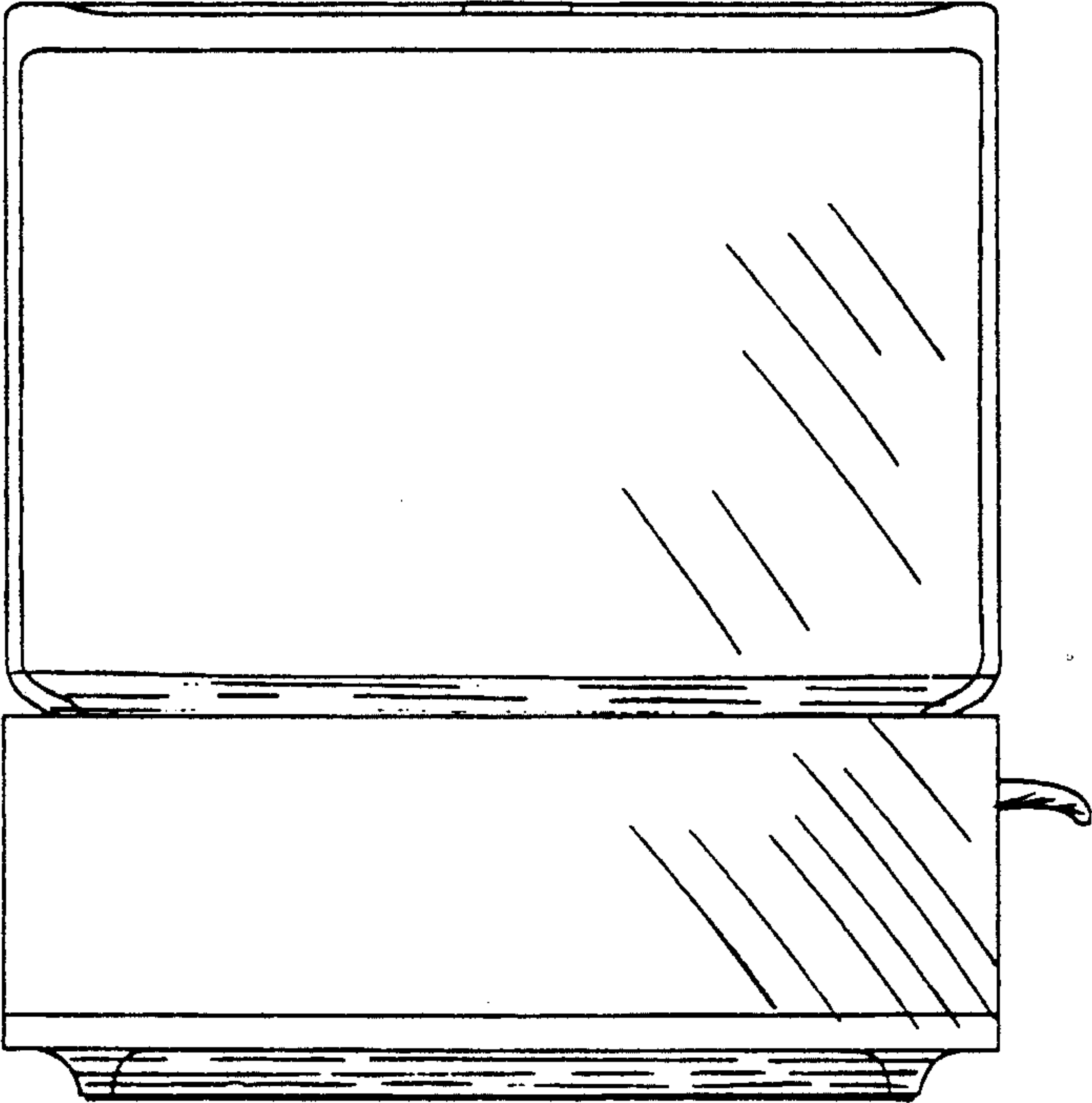


FIG 6

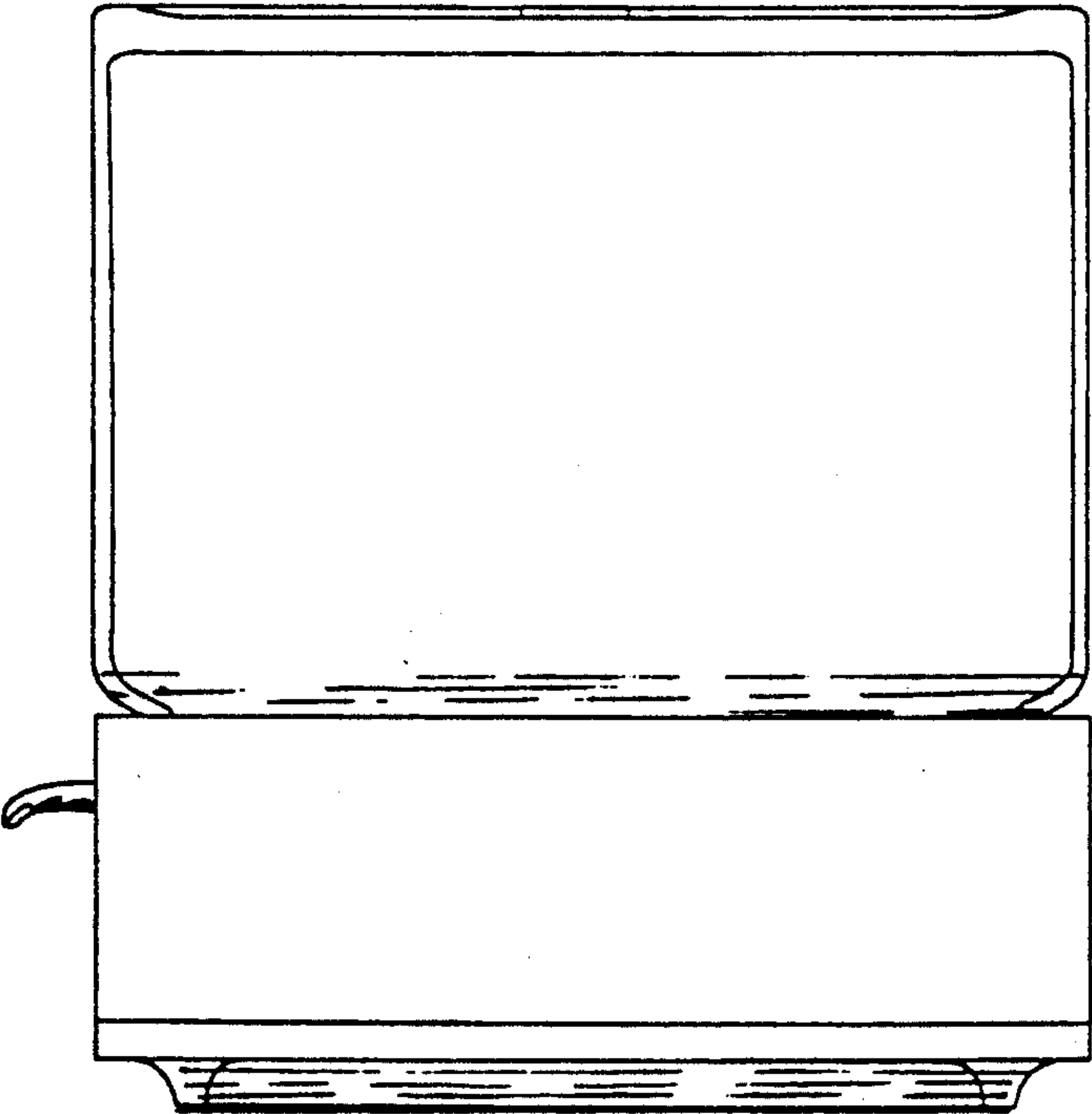


FIG 7

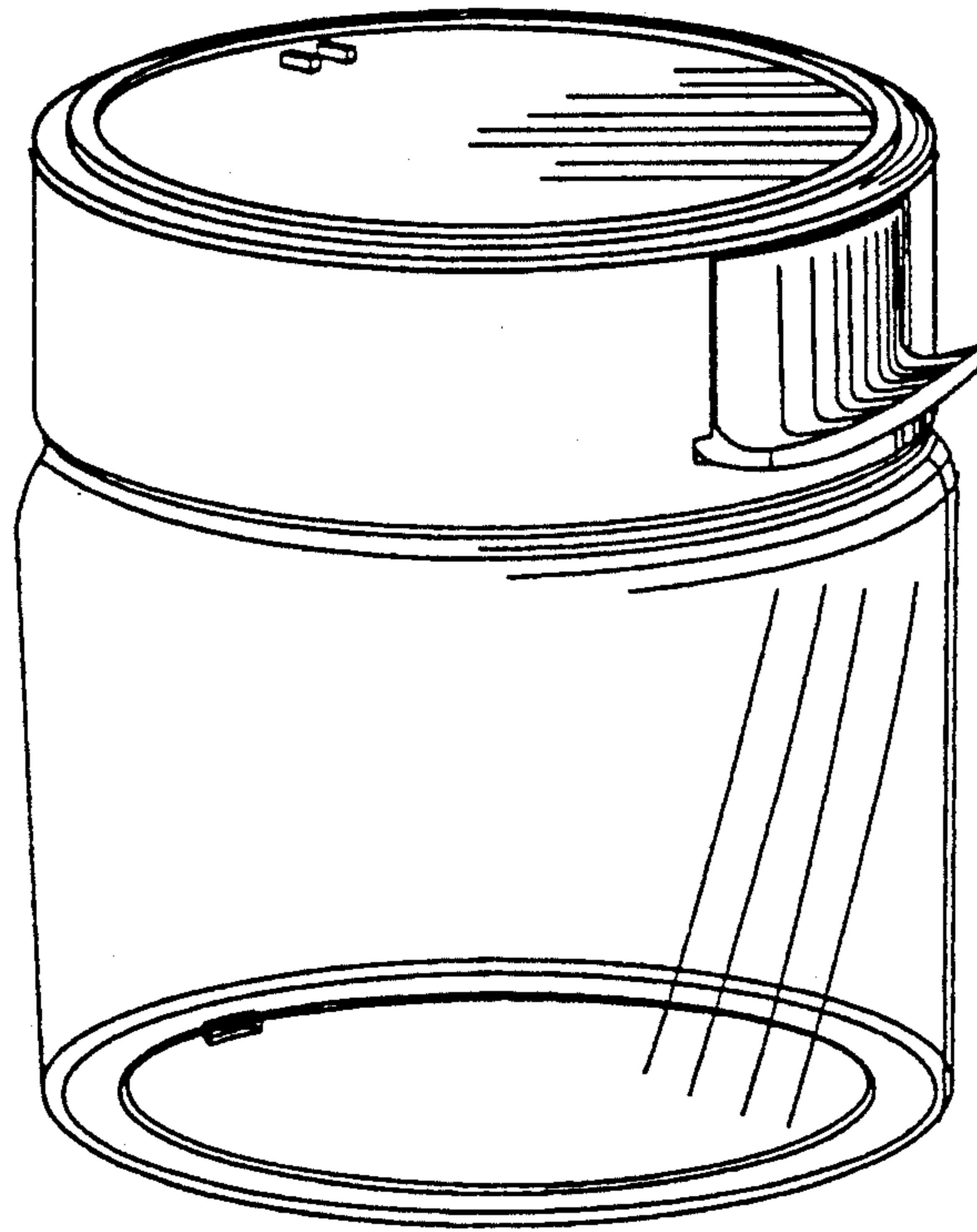


FIG 8



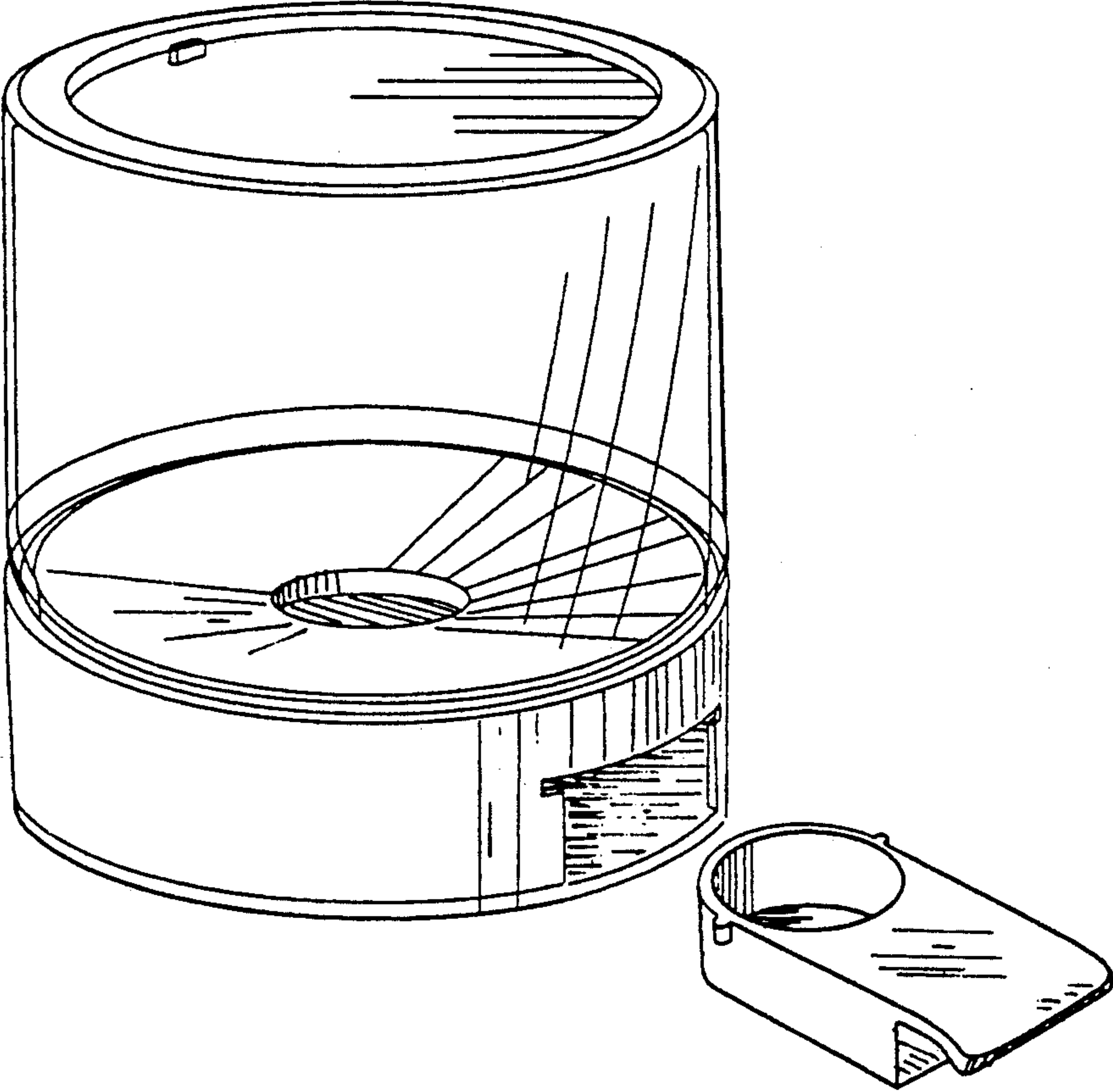


Fig 9