



US00D335423S

# United States Patent [19]

[11] Patent Number: **Des. 335,423**

Naft et al.

[45] Date of Patent: **\*\* May 11, 1993**

[54] **FOOD STEAMER**

[75] Inventors: **Stuart Naft, Stratford; Bryan P. deBlois, West Haven, both of Conn.**

[73] Assignee: **Black & Decker Inc., Newark, Del.**

[\*\*] Term: **14 Years**

[21] Appl. No.: **683,621**

[22] Filed: **Mar. 1, 1991**

[52] U.S. Cl. .... **D7/360; D7/323; D7/355**

[58] Field of Search ..... **D7/323, 354, 355, 358, D7/360, 376, 384, 386; 126/373; 99/324, 325, 339; 220/912**

[56] **References Cited**

### U.S. PATENT DOCUMENTS

D. 263,363 3/1982 Williams et al. .... D7/355

D. 294,328 2/1988 Uesaka ..... D7/376 X  
D. 309,082 7/1990 Hattle et al. .... D7/384

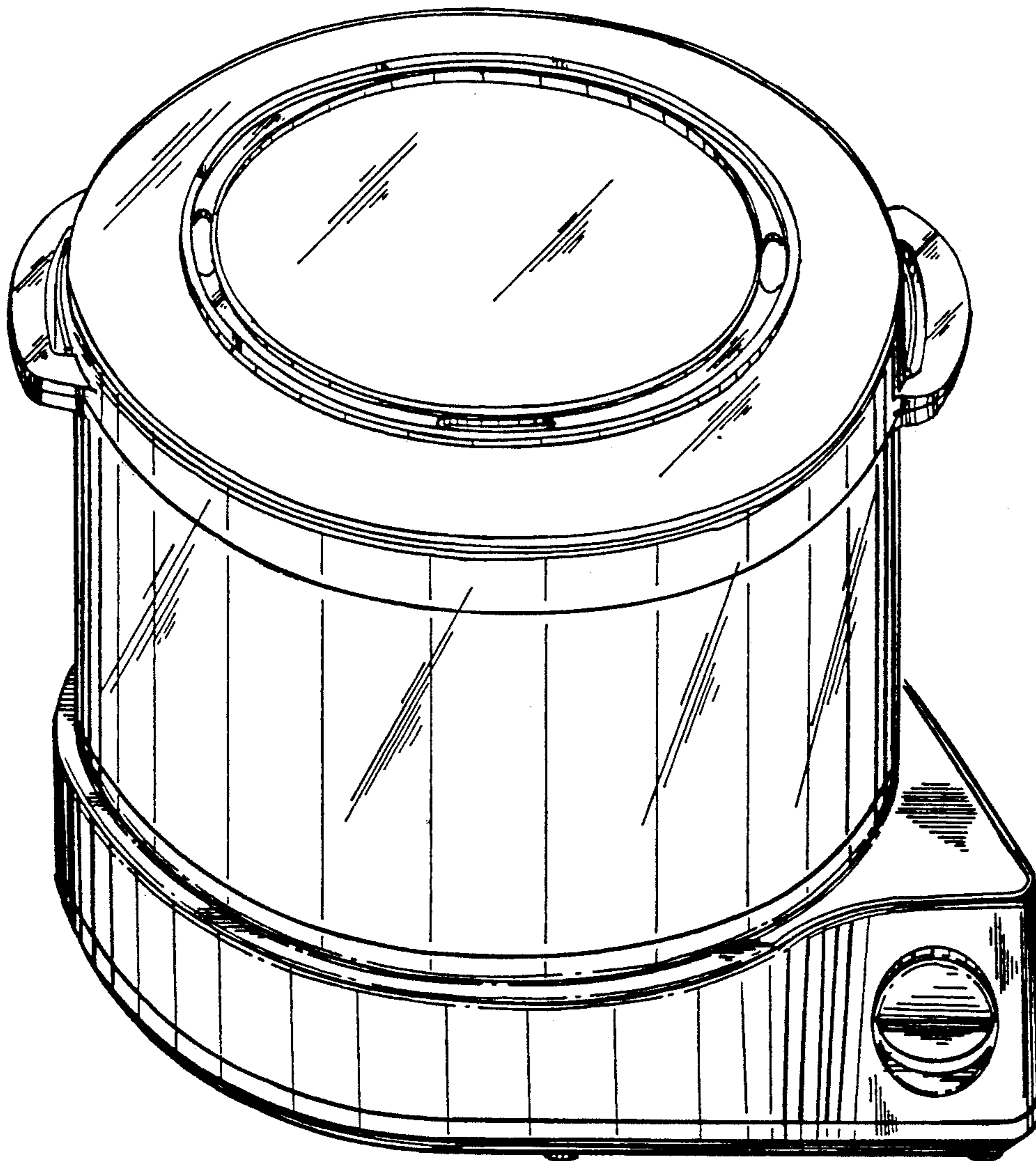
*Primary Examiner*—Alan P. Douglas  
*Assistant Examiner*—Caron D. Vaynar  
*Attorney, Agent, or Firm*—Barry E. Deutsch

### [57] CLAIM

The ornamental design for a food steamer, as shown and described.

### DESCRIPTION

FIG. 1 is a perspective view of a food steamer showing our new design;  
FIG. 2 is a top plan view thereof;  
FIG. 3 is a front elevational view thereof;  
FIG. 4 is a bottom plan view thereof;  
FIG. 5 is a rear elevational view thereof;  
FIG. 6 is a right side elevational view thereof; and,  
FIG. 7 is a left side elevational view thereof.



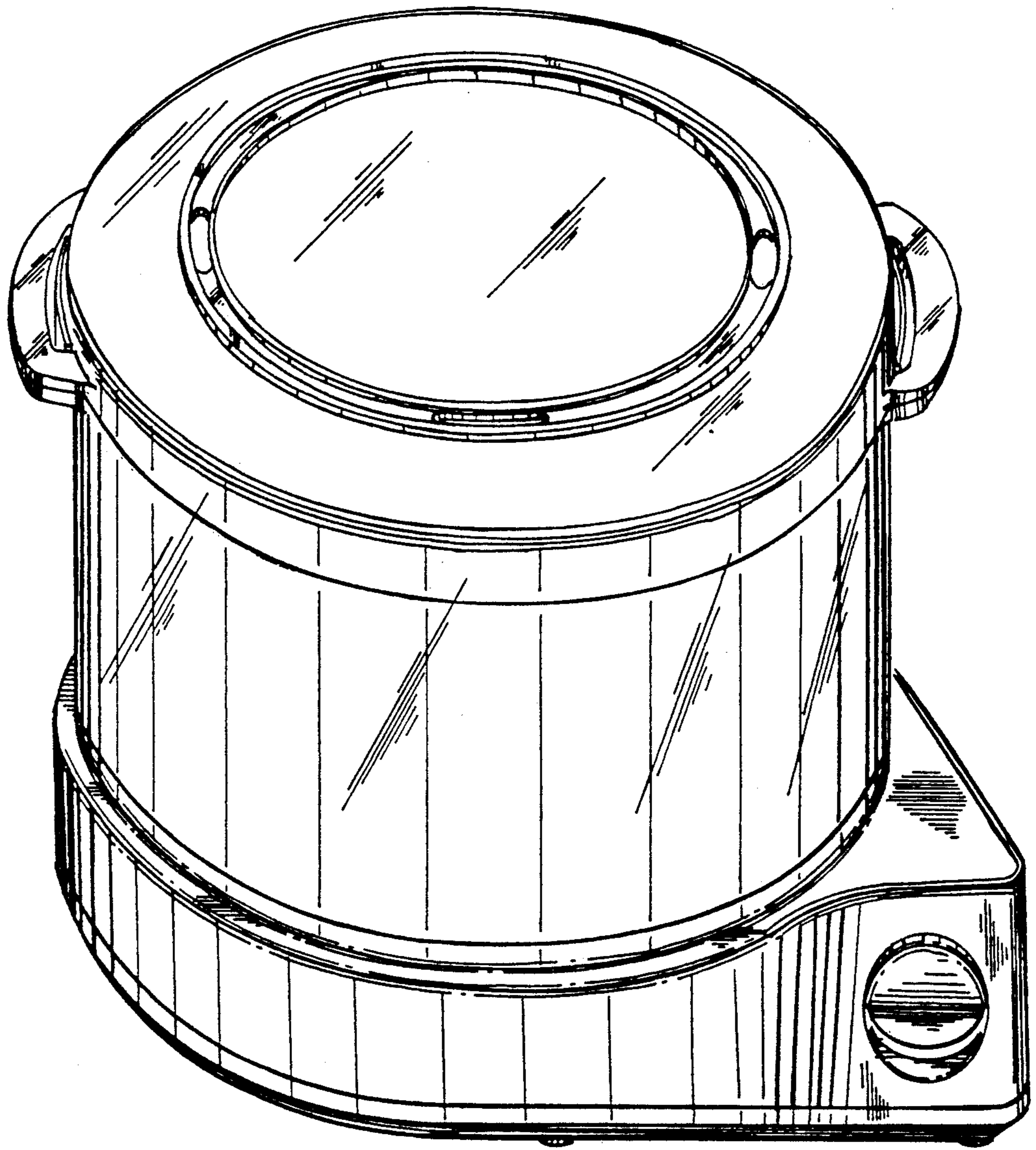


FIG. 1

FIG.2

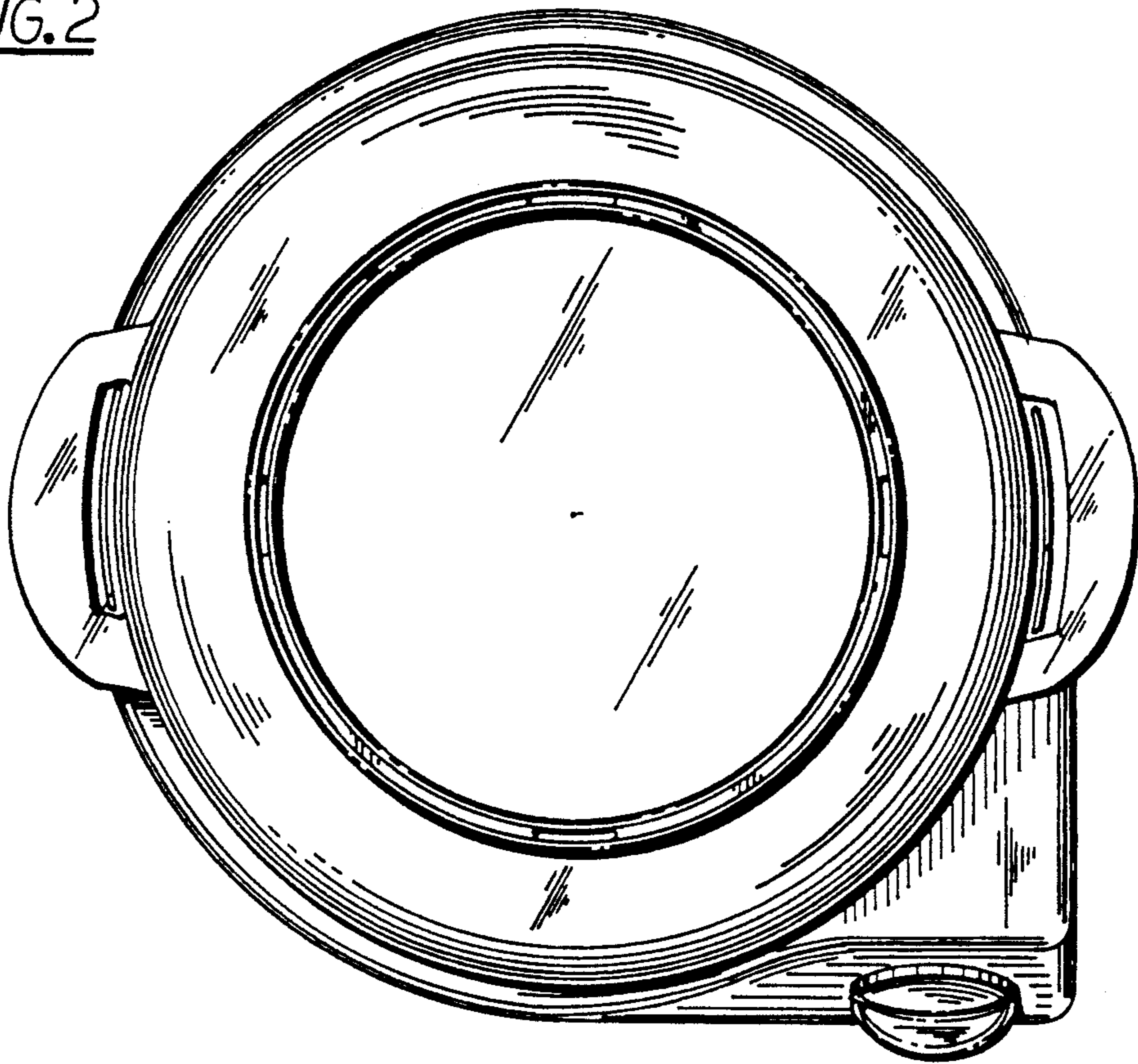


FIG.3

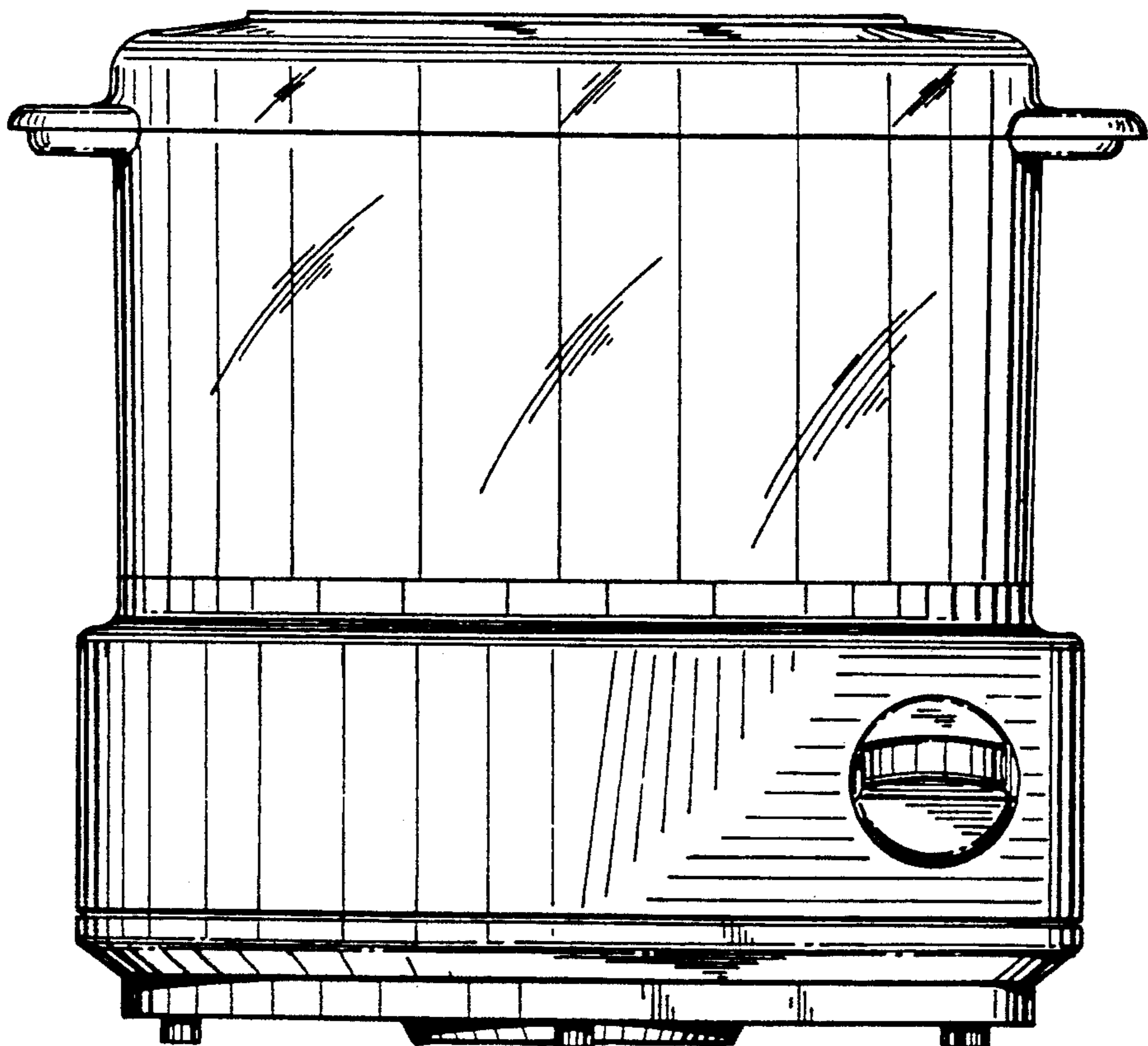


FIG. 4

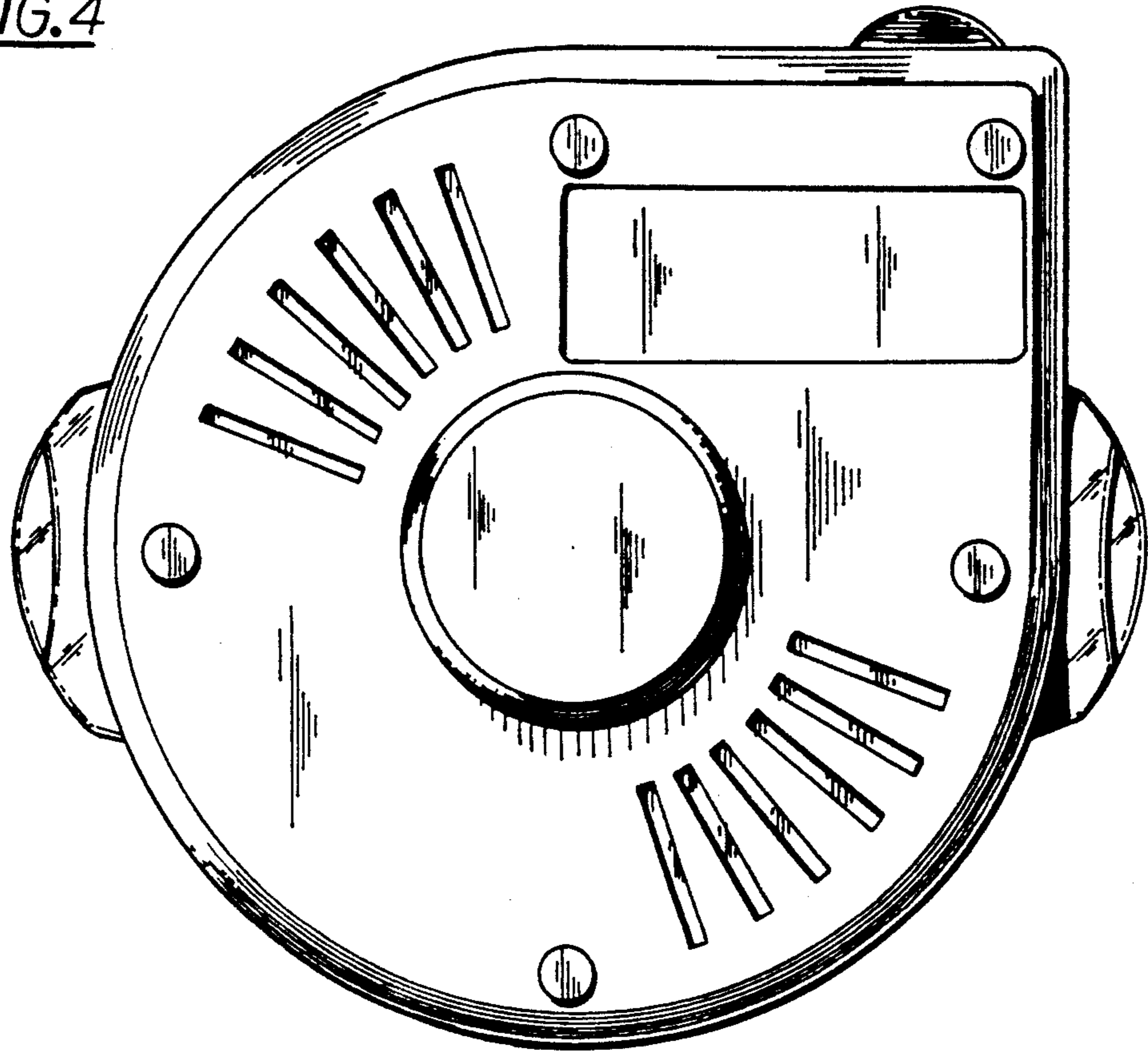


FIG. 5

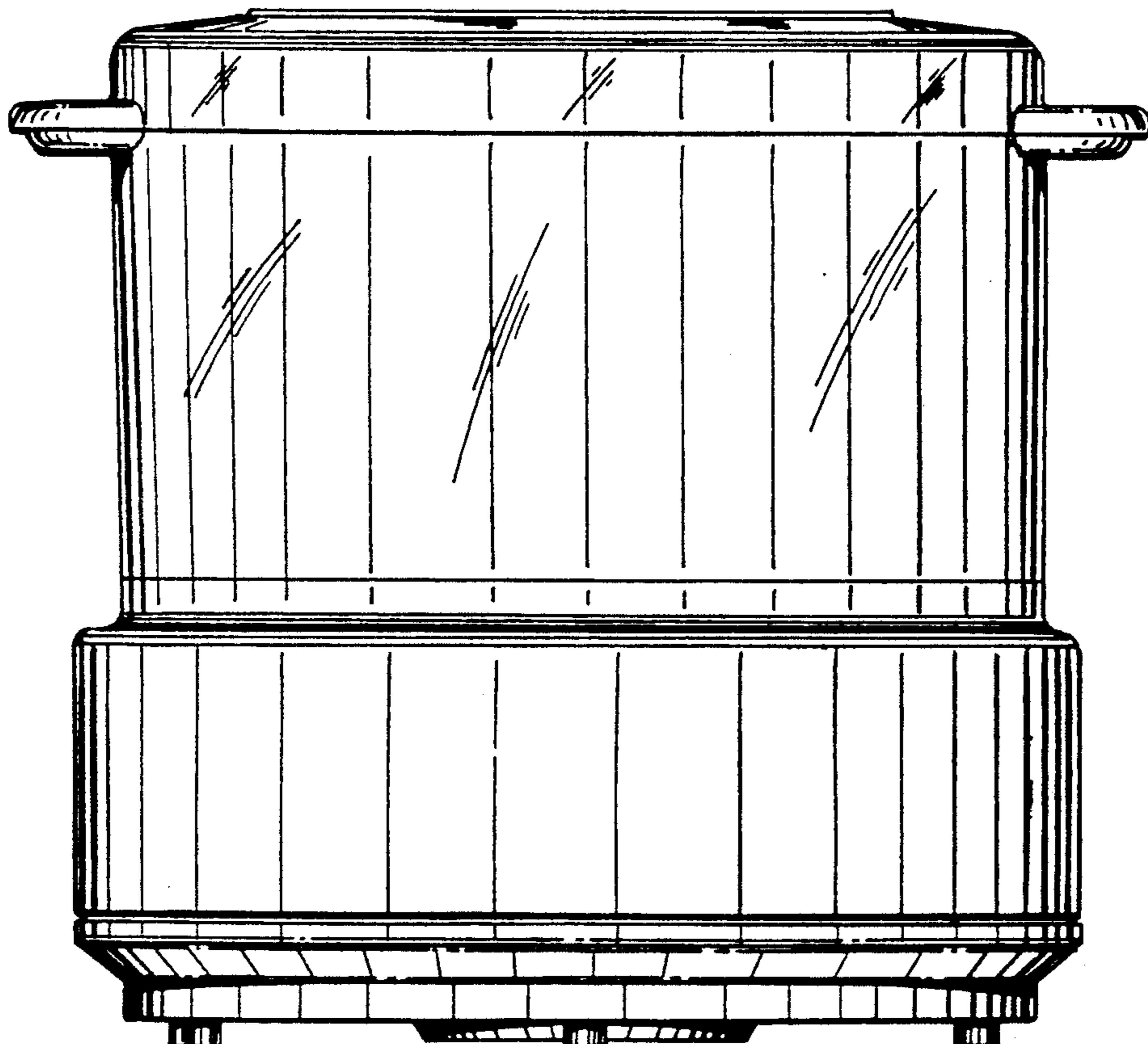


FIG.6

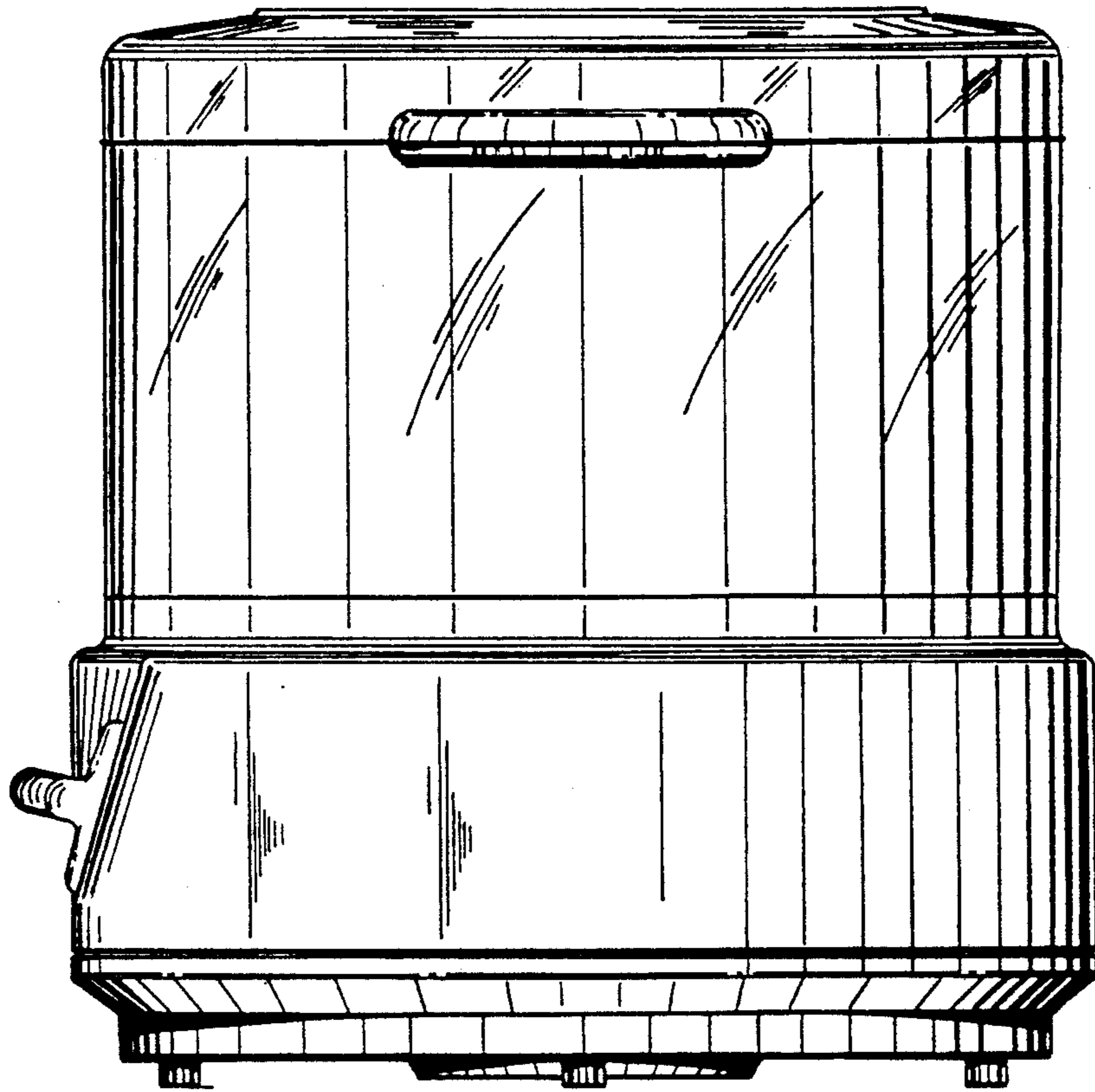


FIG.7

