



US00D335422S

United States Patent [19]

[11] Patent Number: **Des. 335,422**

Mano et al.

[45] Date of Patent: **** May 11, 1993**

[54] COOK POT WITH COVER

[75] Inventors: **Kaori Mano; Nobuyuki Enomoto,**
both of Kyoto, Japan

[73] Assignee: **Japan Oxygen Co., Ltd.,** Tokyo,
Japan

[**] Term: **14 Years**

[21] Appl. No.: **472,673**

[22] Filed: **Jan. 30, 1990**

[52] U.S. Cl. **D7/360; D7/354**

[58] Field of Search **D7/323, 354, 356, 358,**
D7/360, 391; 220/912; 99/324, 413, 417, 426,
467

[56] References Cited

U.S. PATENT DOCUMENTS

D. 160,070 9/1950 Carr D7/360
4,735,135 4/1988 Walker D7/409 X

OTHER PUBLICATIONS

Hong Kong Household; Jul. 1983; p. 8, Cookware at upper left corner.

Primary Examiner—Alan P. Douglas
Assistant Examiner—Caron D. Veynar
Attorney, Agent, or Firm—Lowe, Price, LeBlanc & Becker

[57] CLAIM

The ornamental design for a cook pot with cover, as shown and described.

DESCRIPTION

FIG. 1 is a right, front and top perspective view of a cook pot with cover showing our new design; FIG. 2 is a bottom and rear perspective view thereof; FIG. 3 is a front elevational view thereof, the rear elevational view being a mirror image thereof; FIG. 4 is a right side elevational view thereof, the left side elevational view being a mirror image thereof; FIG. 5 is a top plan view thereof; FIG. 6 is a bottom plan view thereof; and, FIG. 7 is a right, front and top perspective view of the cook pot with cover showing the right interior perspective view thereof, the opposite left interior perspective view being a mirror image thereof.

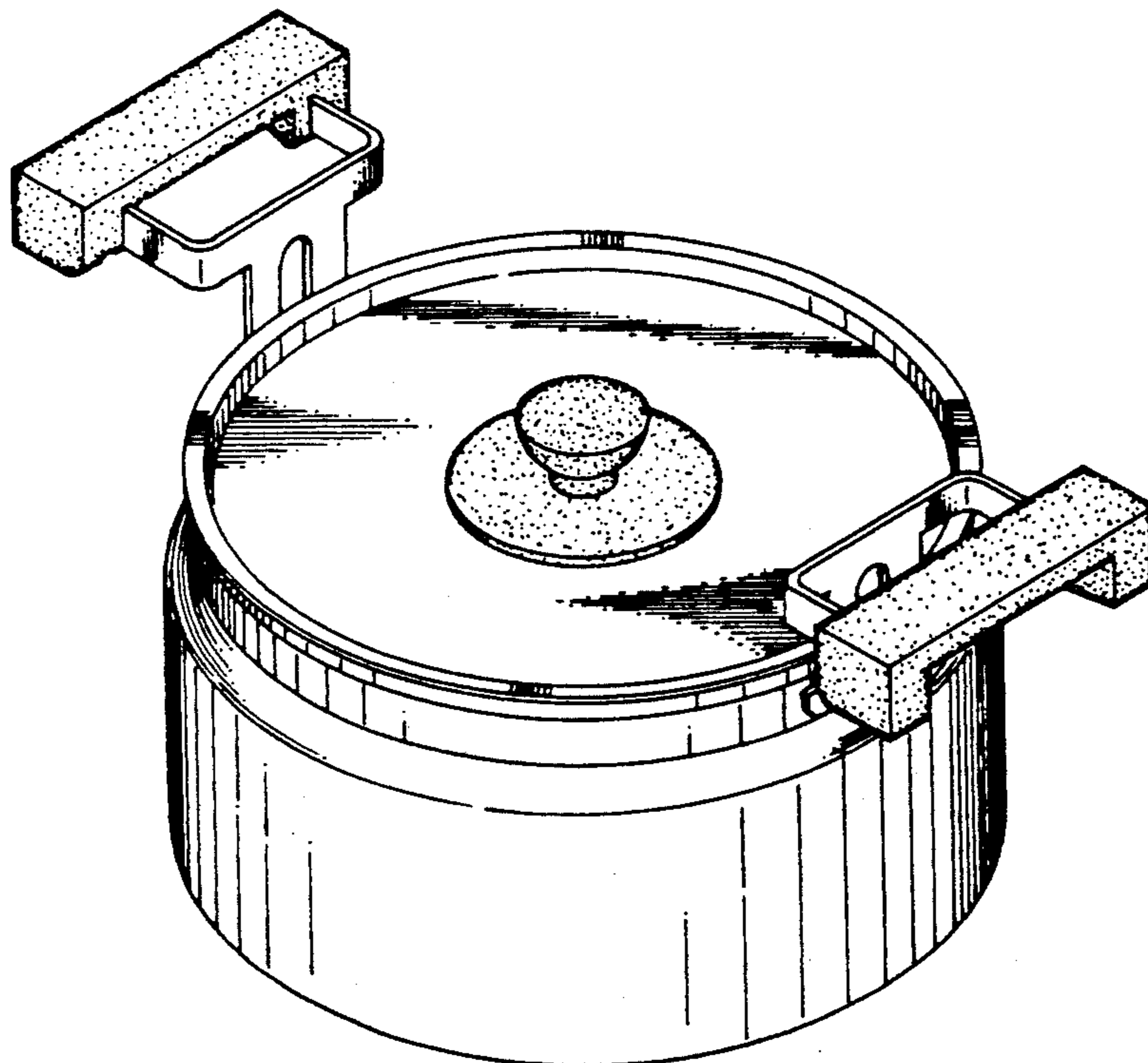


FIG. 1

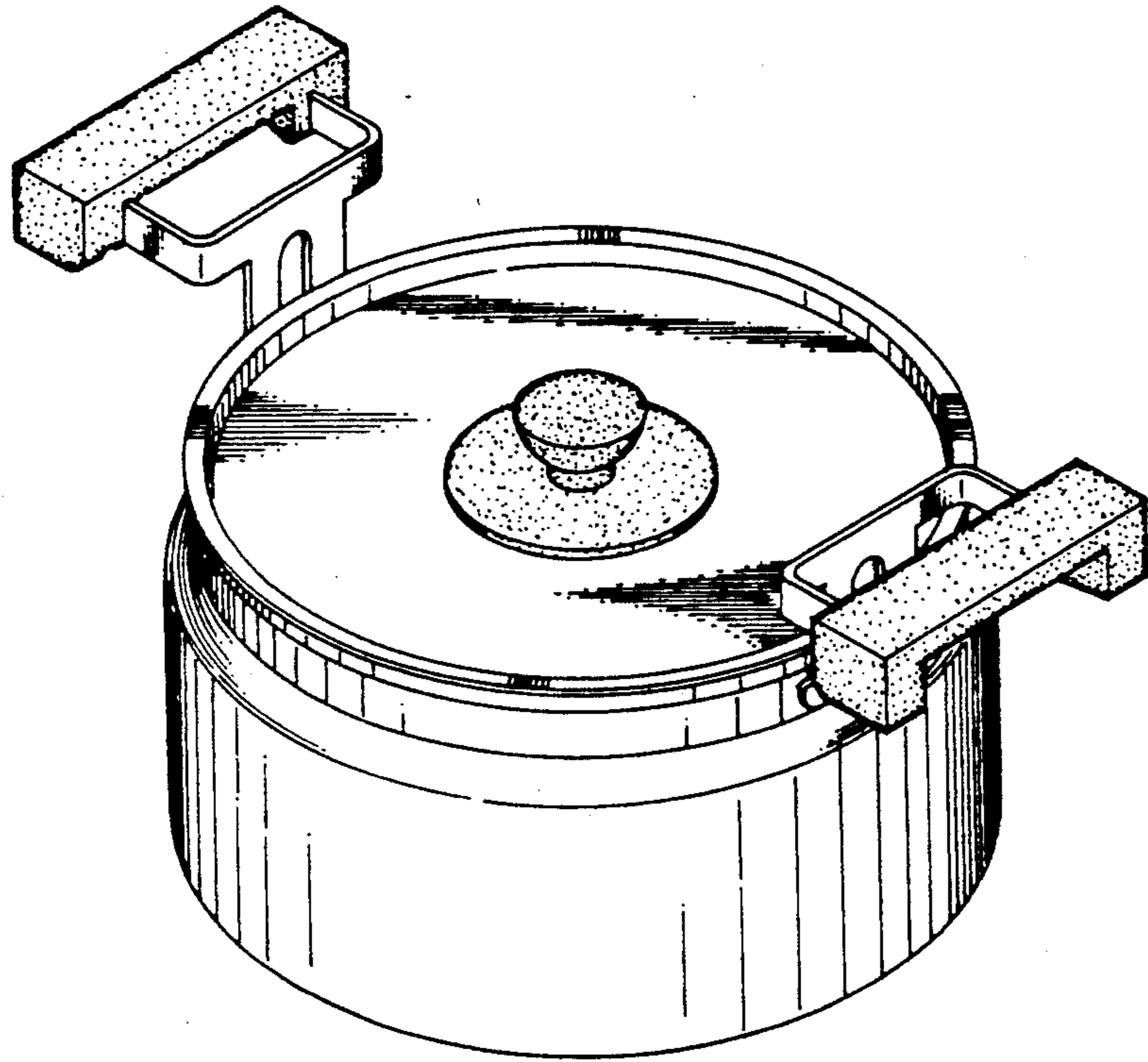


FIG. 2

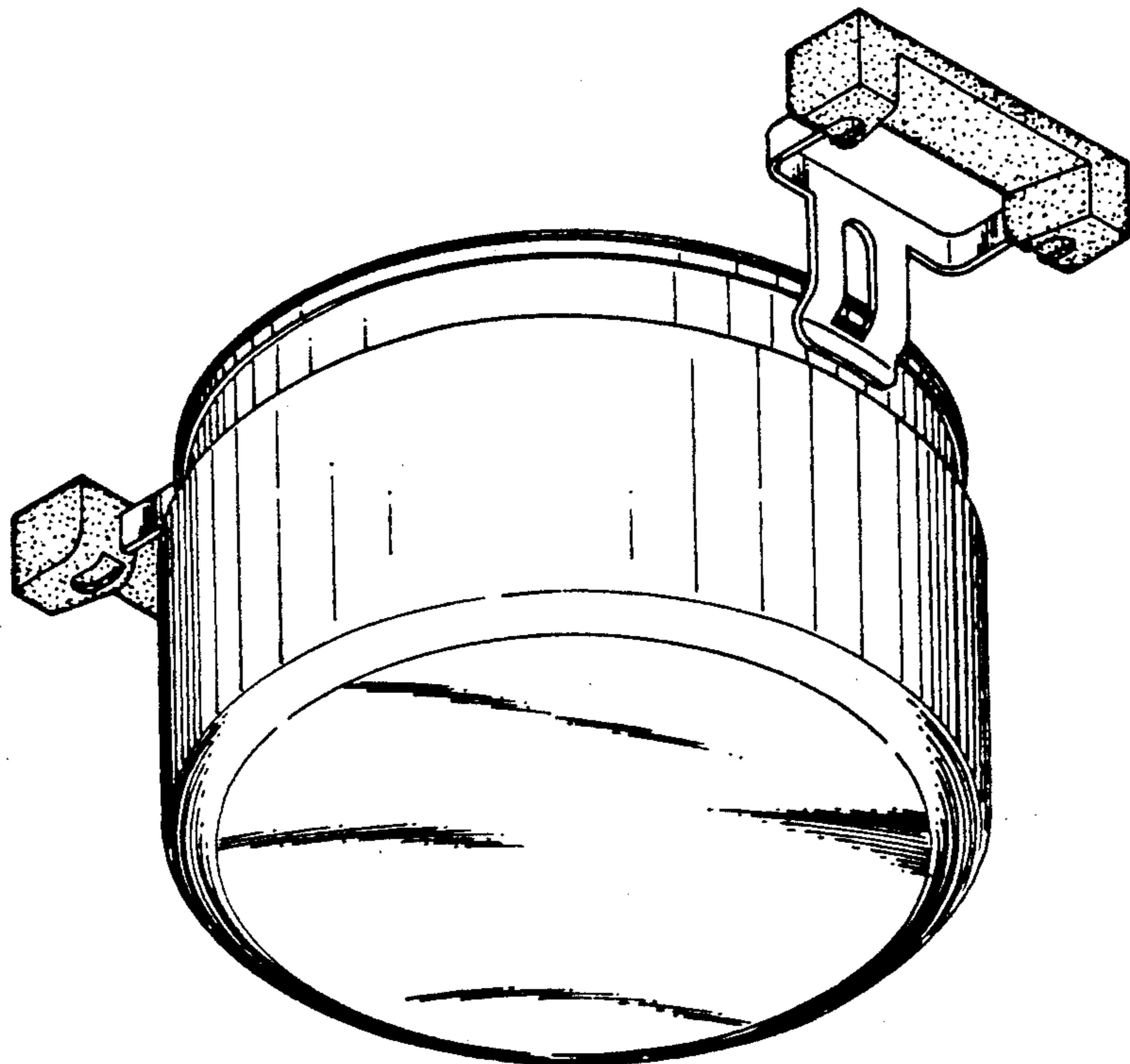


FIG. 3

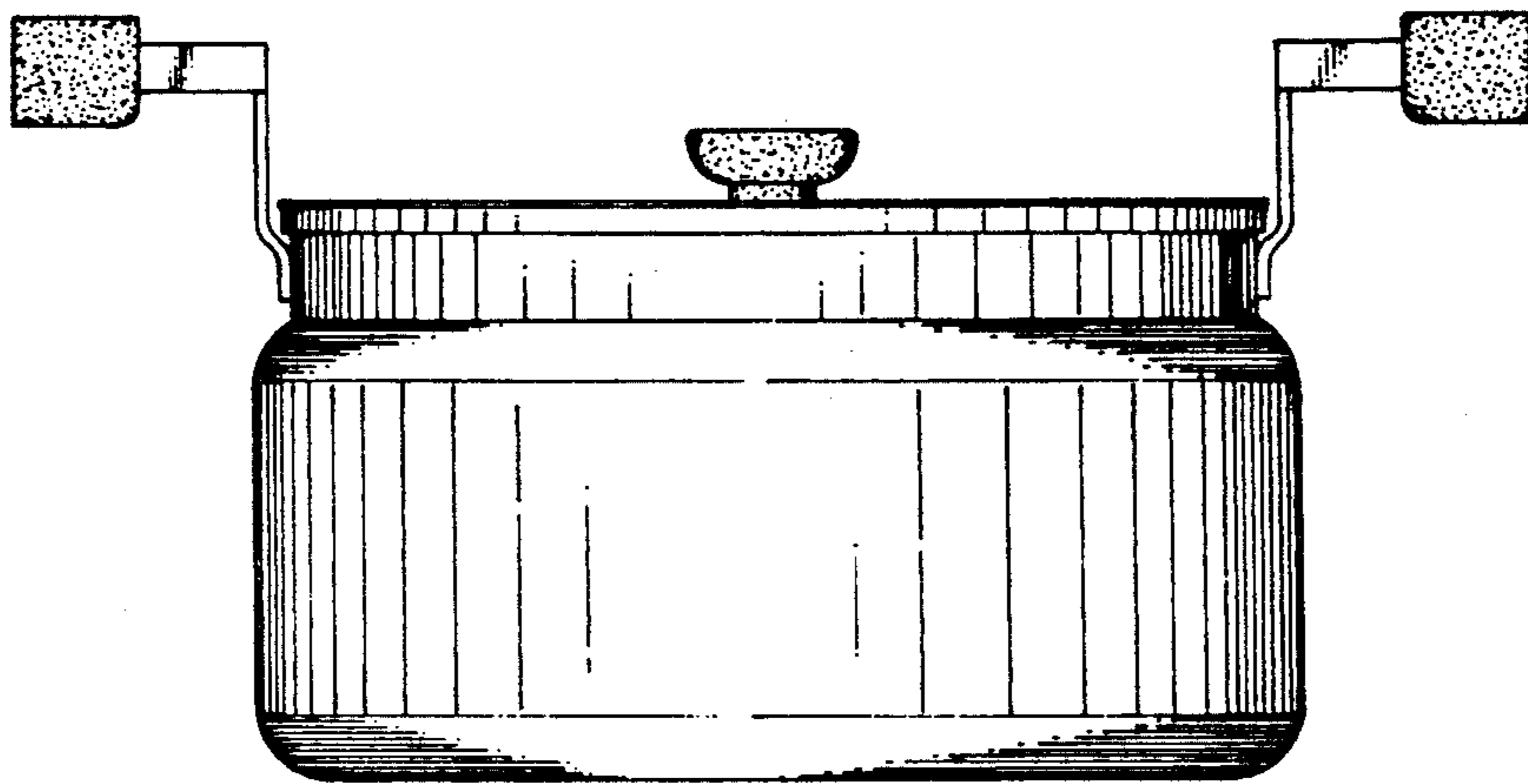


FIG. 4

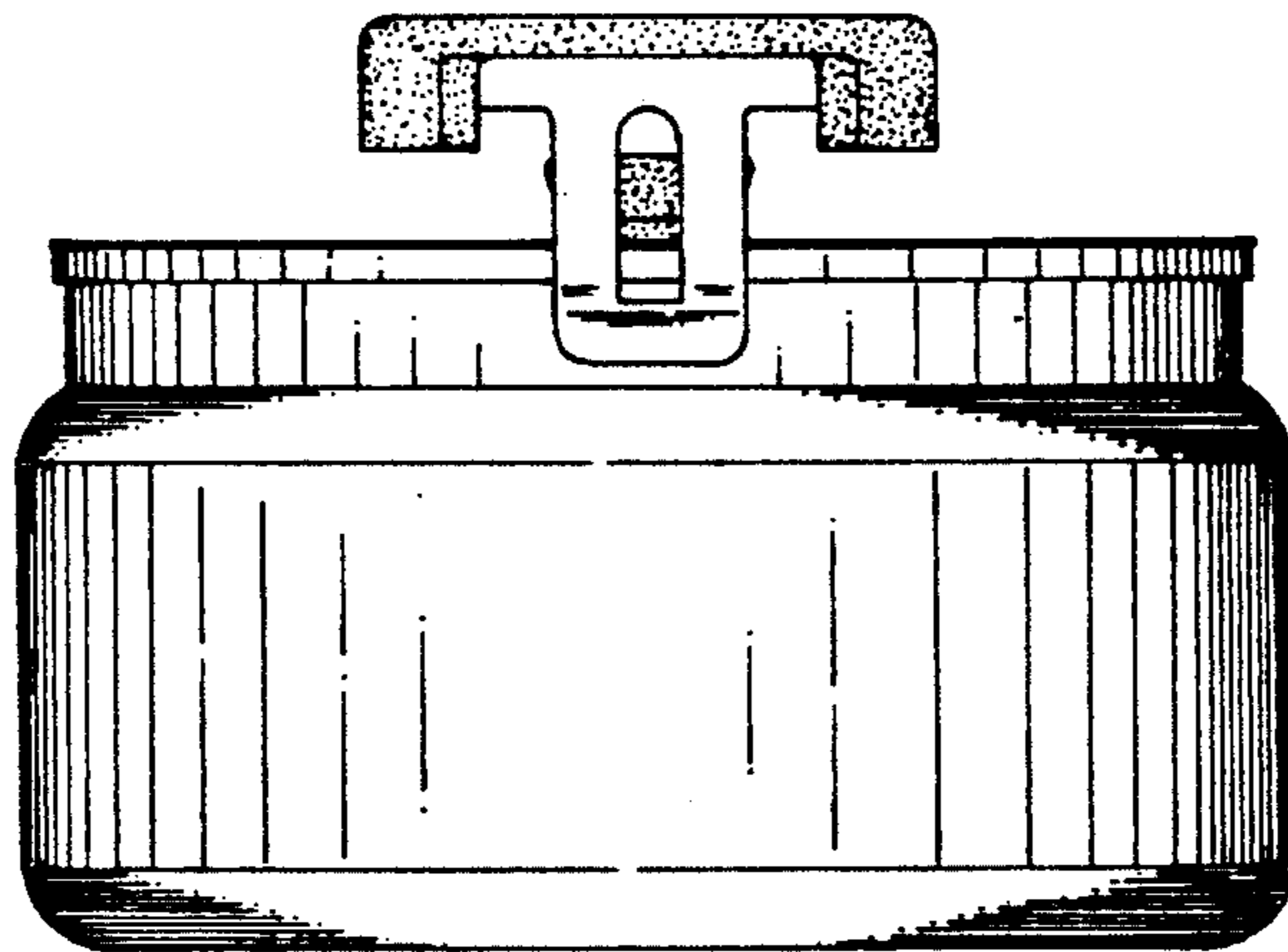


FIG.5

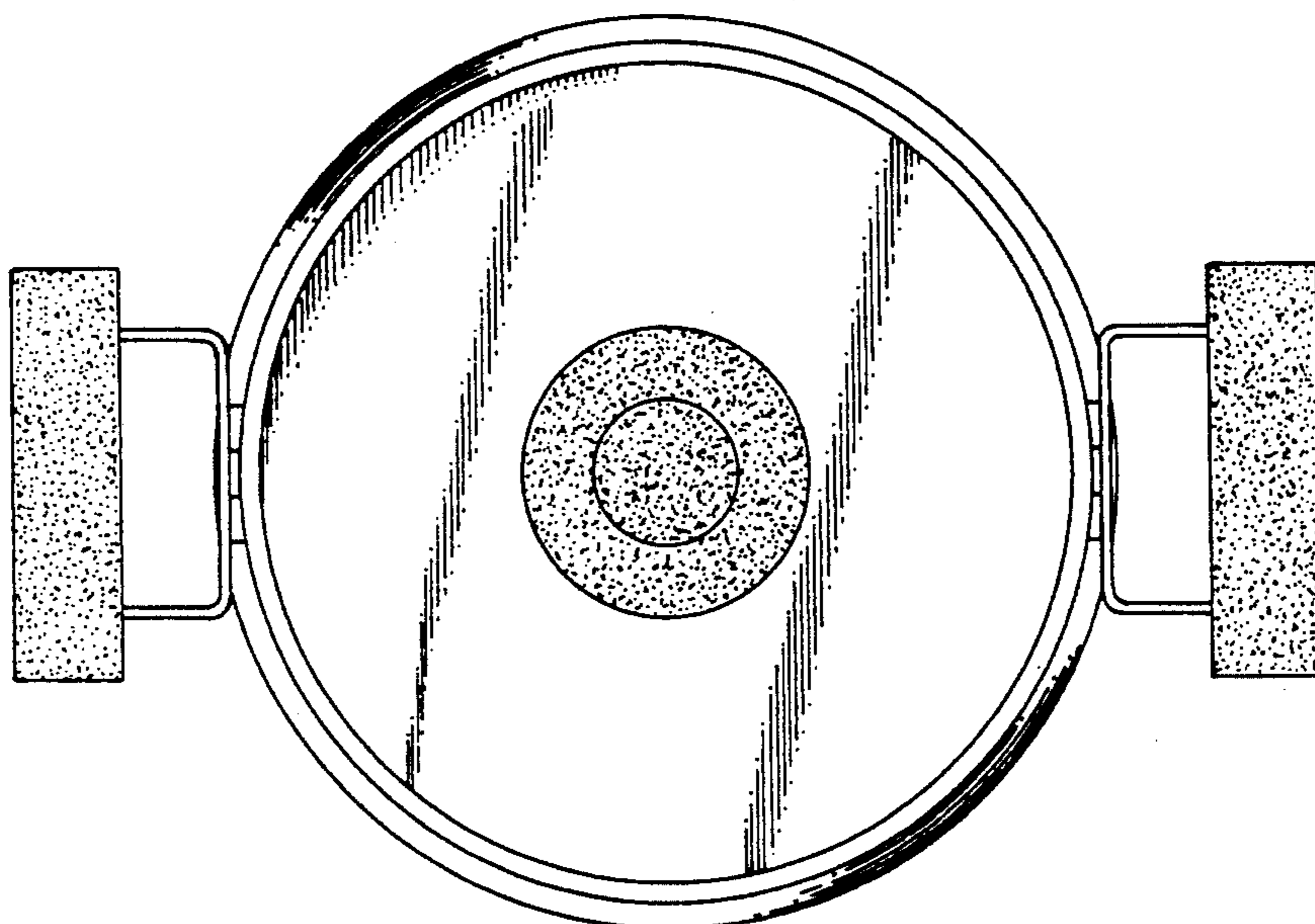


FIG.6

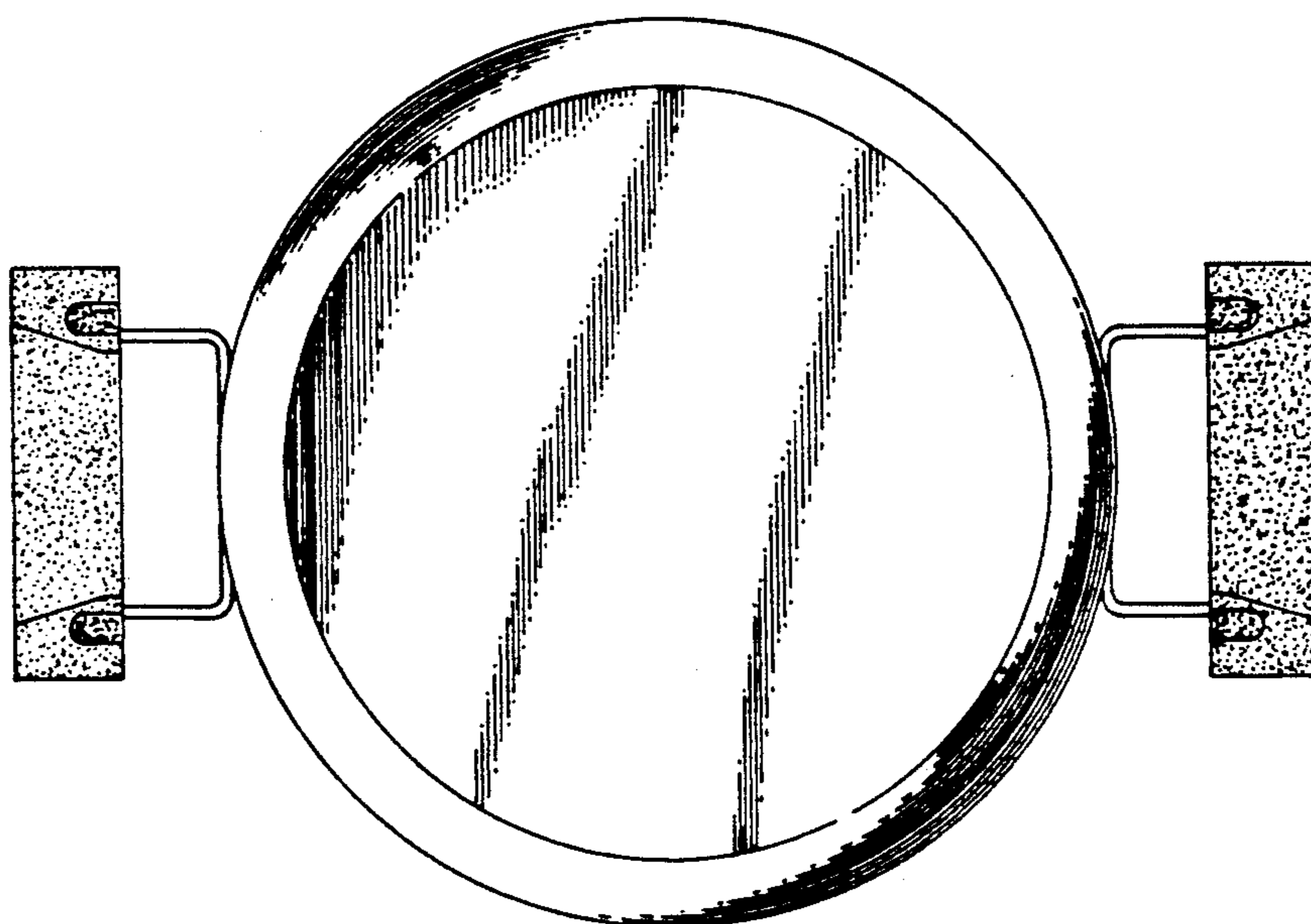


FIG. 7

