



US00D335421S

United States Patent [19]

[11] Patent Number: **Des. 335,421**

Glassen

[45] Date of Patent: **** May 11, 1993**

[54] **ELECTRIC COFFEE MAKING MACHINE**

[75] Inventor: **Bernd Glassen, Solingen, Fed. Rep. of Germany**

[73] Assignee: **Robert Krups AG, Solingen, Fed. Rep. of Germany**

[**] Term: **14 Years**

[21] Appl. No.: **638,411**

[22] Filed: **Jan. 7, 1991**

[52] U.S. Cl. **D7/309; D7/300; D7/310**

[58] Field of Search **D7/300, 305, 309, 310, D7/311, 312; 99/279, 280, 284, 285, 286, 288, 289 D, 290-296, 306-315, 323.3**

[56] **References Cited**

U.S. PATENT DOCUMENTS

- D. 288,164 2/1987 Stützer et al. D7/309
- D. 293,544 1/1988 Dole et al. D7/300 X
- D. 306,246 2/1990 Rauch D7/300

- D. 311,298 10/1990 Mollenhoff D7/300
- D. 315,271 3/1991 Rauch D7/300 X
- 4,674,400 6/1987 Rondel et al. 99/279
- 4,704,954 11/1987 Mollenhoff D7/309 X

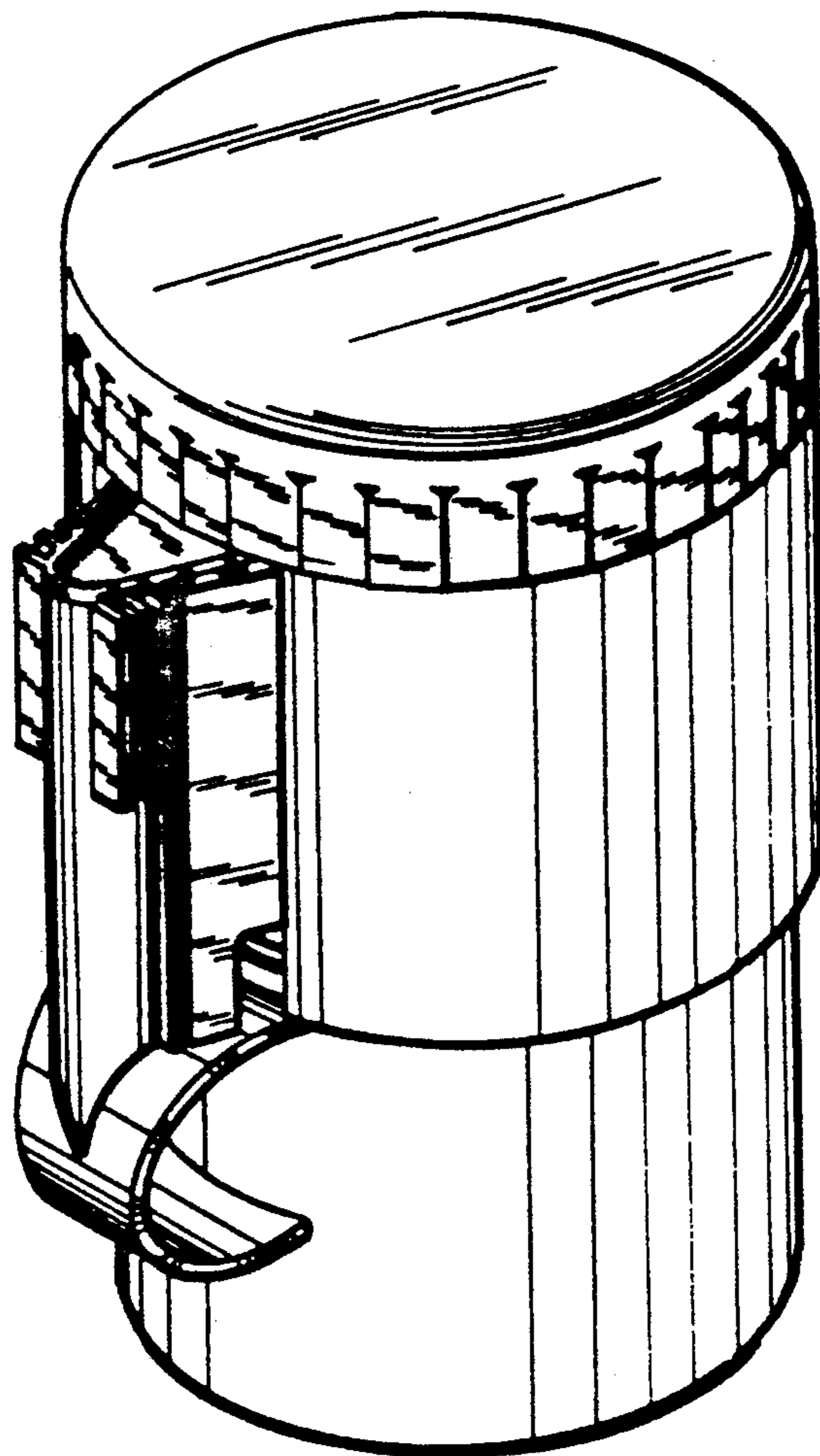
Primary Examiner—Alan P. Douglas
Assistant Examiner—Caron D. Veynar
Attorney, Agent, or Firm—Peter K. Kontler

[57] CLAIM

The ornamental design for an electric coffee making machine, as shown and described.

DESCRIPTION

FIG. 1 is a right-hand perspective view of an electric coffee making machine showing my new design; FIG. 2 is an exploded perspective view thereof; FIG. 3 is a right-hand side elevational view thereof; FIG. 4 is a top plan view thereof; FIG. 5 is a bottom plan view thereof; FIG. 6 is a front elevational view thereof; FIG. 7 is a left-hand side elevational view thereof; and, FIG. 8 is a rear elevational view thereof.



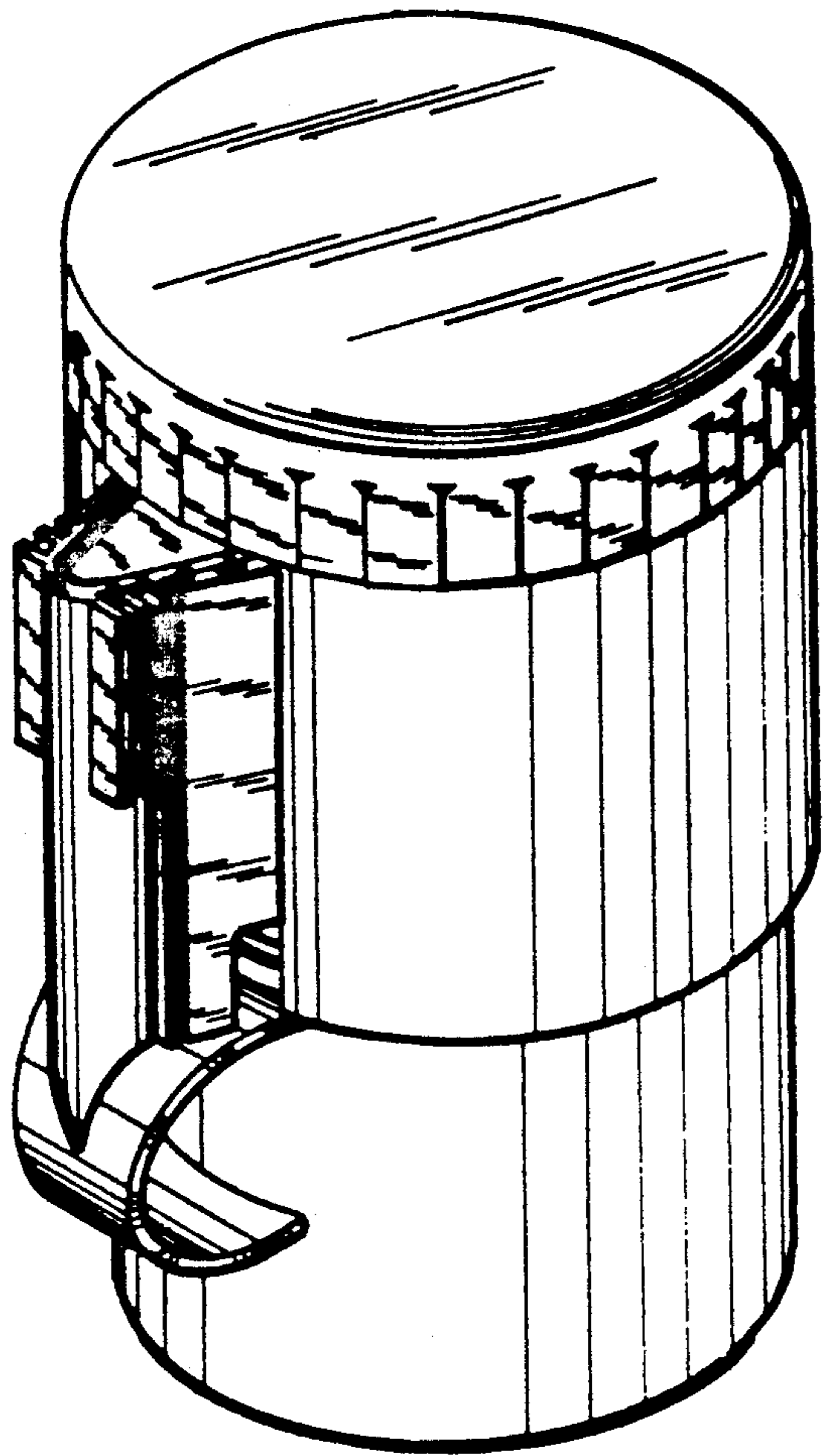


FIG. 1

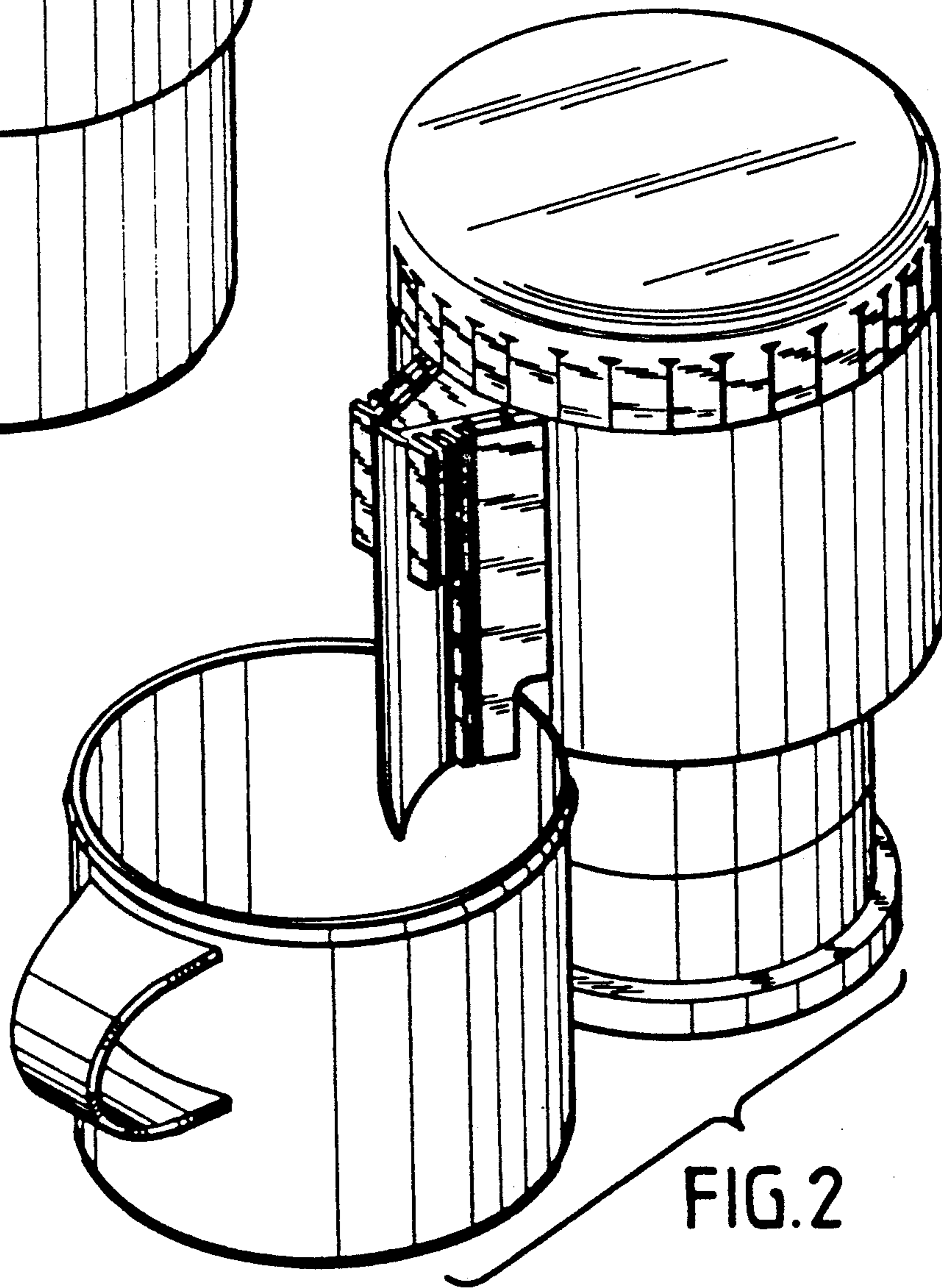


FIG. 2

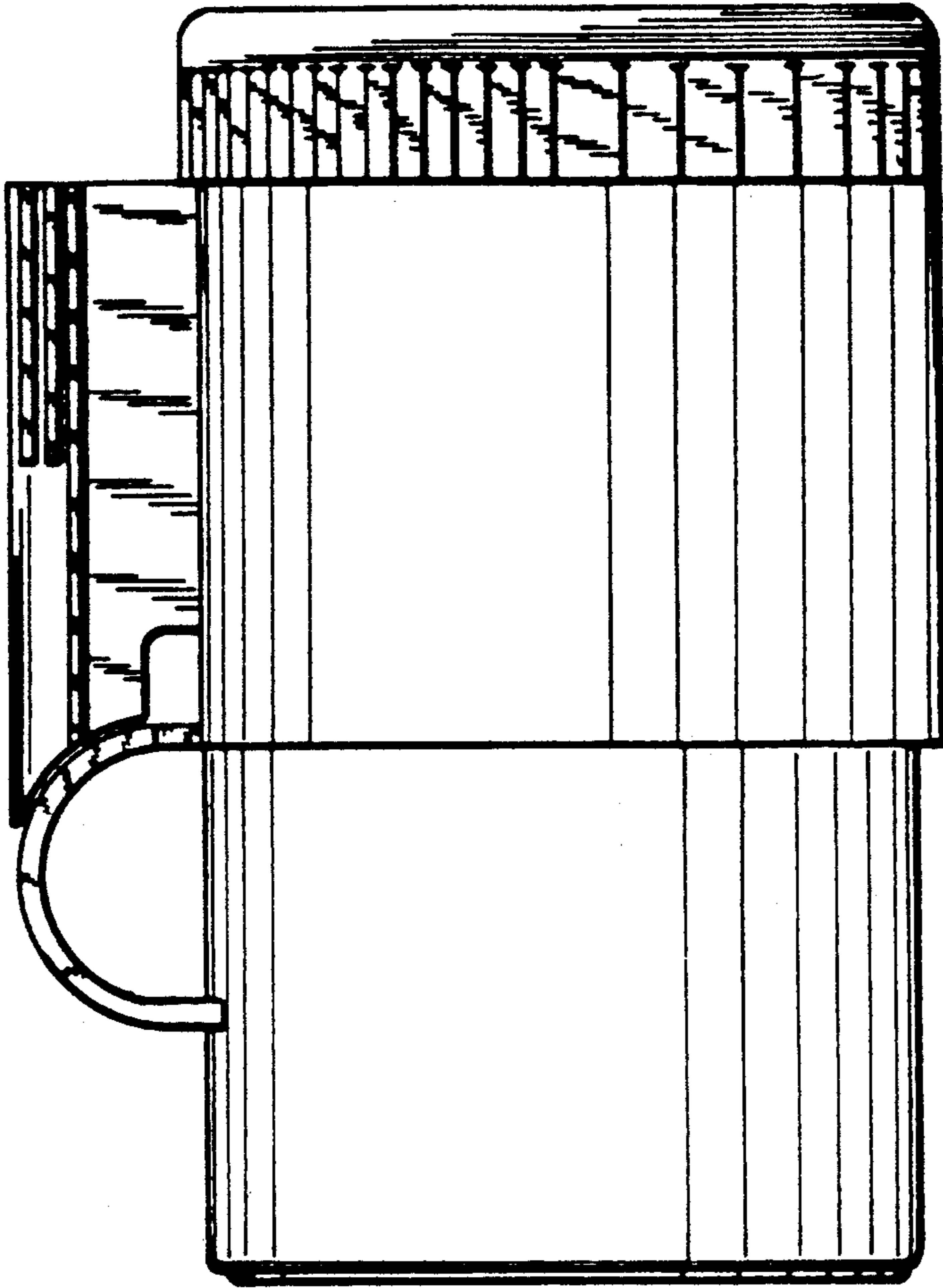


FIG. 3

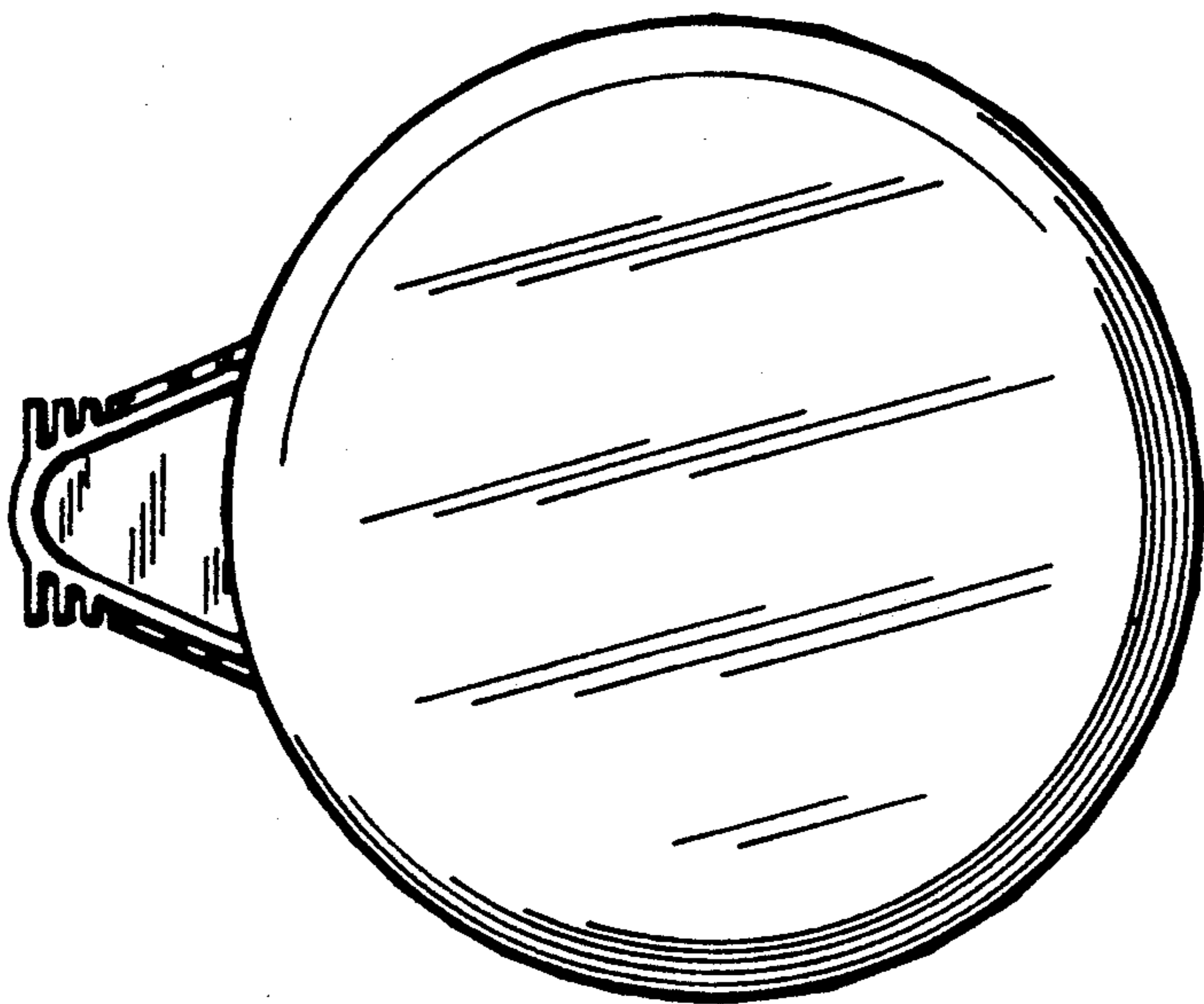


FIG. 4

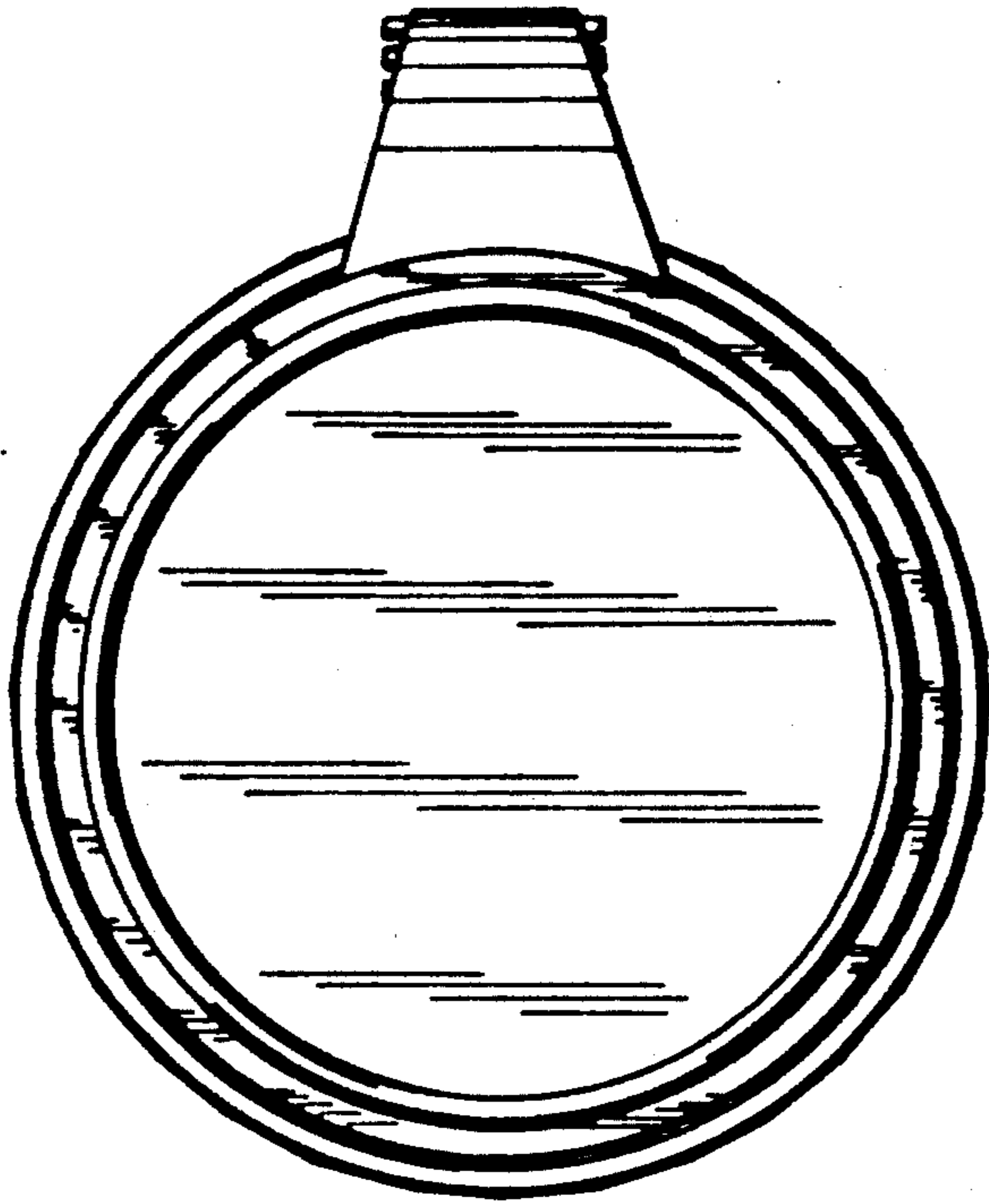


FIG. 5

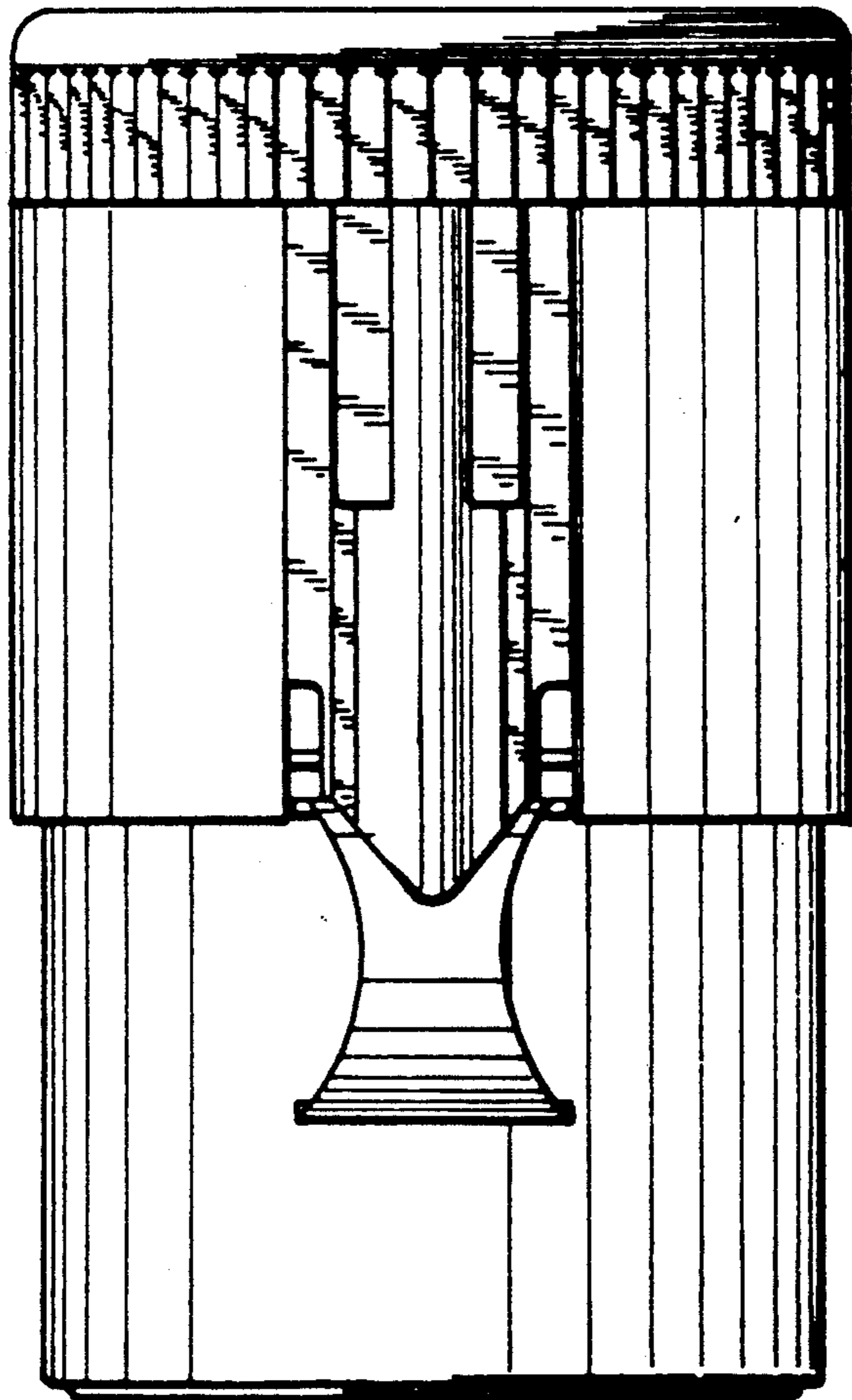


FIG. 6

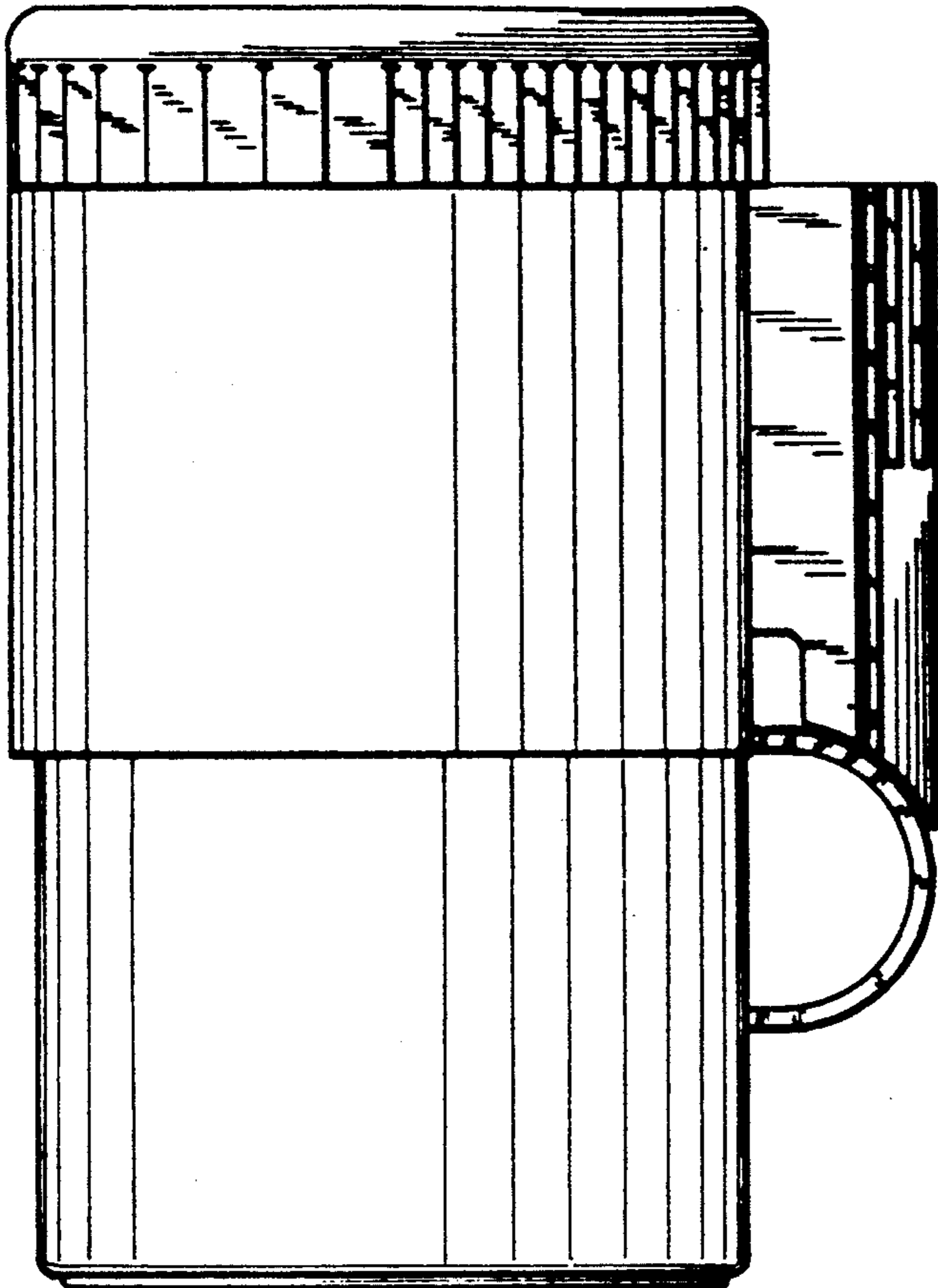


FIG. 7

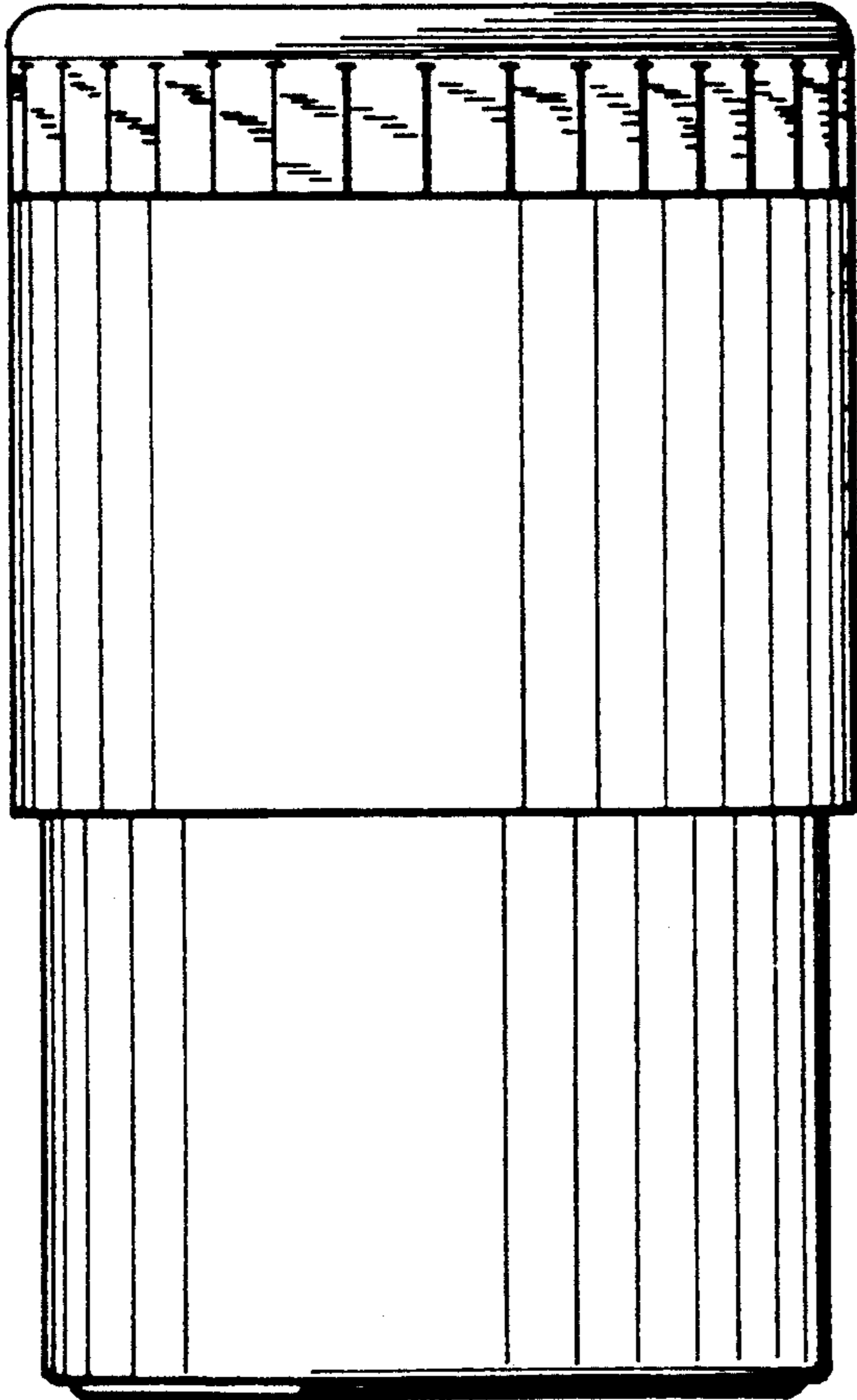


FIG. 8

UNITED STATES PATENT AND TRADEMARK OFFICE
CERTIFICATE OF CORRECTION

PATENT NO. : Des. 335,421

DATED : May 11, 1993

INVENTOR(S) : Bernd Classen

It is certified that error appears in the above-identified patent and that said Letters Patent is hereby corrected as shown below:

On the title page, Item [75] Inventor: "Glassen" should read
--Classen--.

Signed and Sealed this
Twenty-fourth Day of May, 1994

Attest:



BRUCE LEHMAN

Attesting Officer

Commissioner of Patents and Trademarks

UNITED STATES PATENT AND TRADEMARK OFFICE
CERTIFICATE OF CORRECTION

PATENT NO. : Des. 335,421
DATED : May 11, 1993
INVENTOR(S) : Bernd CLASSEN

It is certified that error appears in the above-identified patent and that said Letters Patent is hereby corrected as shown below:

On the title page, item (73) Assignee: Change Assignee

from :

"Robert Krups AG"

to:

--Robert Krups GmbH & Co. KG--.

Signed and Sealed this
Ninth Day of August, 1994

Attest:



BRUCE LEHMAN

Attesting Officer

Commissioner of Patents and Trademarks