



US00D335419S

United States Patent [19]

[11] Patent Number: **Des. 335,419**

Michalek

[45] Date of Patent: **** May 11, 1993**

[54] SALON NECK REST

[76] Inventor: **Debbie L. Michalek**, 1200 Wimbledon Dr., Lodi, Calif. 95240

[**] Term: **14 Years**

[21] Appl. No.: **637,496**

[22] Filed: **Jan. 4, 1991**

[52] U.S. Cl. **D6/601**

[58] Field of Search **D6/601, 596; 128/376; D23/303; D28/20; 248/118, 118.1, 118.3; 5/637, 640; 4/523, 515, 516, 517, 519, 520, 522, 575.1; D8/71**

[56] References Cited

U.S. PATENT DOCUMENTS

D. 288,695	10/1973	Vora	D28/20
D. 288,727	3/1987	Mandeville	D6/596
316,101	4/1885	White	248/118
1,984,520	12/1934	Curtis	128/376
2,172,589	9/1939	Middleton	D28/20
3,245,716	4/1966	Panner	4/515

OTHER PUBLICATIONS

Handbook of Designs and Devices, p. 98, Design #881, bottom middle of page.

Primary Examiner—Wallace R. Burke

Assistant Examiner—Lisa Lichtenstein

Attorney, Agent, or Firm—Leon Gilden

[57] CLAIM

The ornamental design for a salon neck rest, as shown and described.

DESCRIPTION

FIG. 1 is a front elevational view of a salon neck rest showing my new design;

FIG. 2 is a rear elevational view thereof;

FIG. 3 is a left side elevational view thereof;

FIG. 4 is a right side elevational view thereof;

FIG. 5 is a top plan view thereof;

FIG. 6 is a bottom plan view thereof; and

FIG. 7 is a top, front and right side perspective view thereof on a reduced scale.

The broken line showing of a shampoo basin in FIG. 7 is for illustrative purposes only, and forms no part of the claimed design.

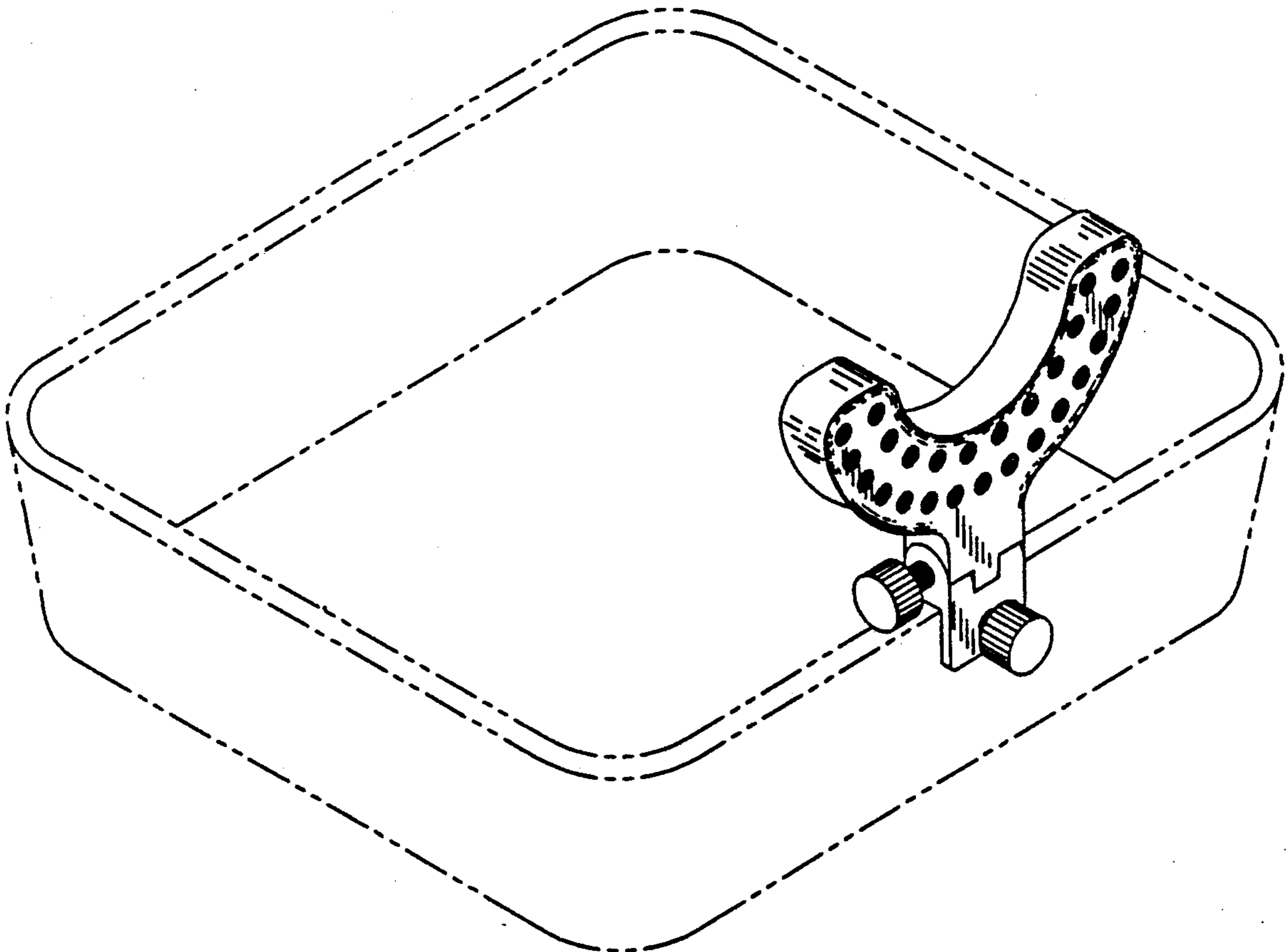


FIG. 1

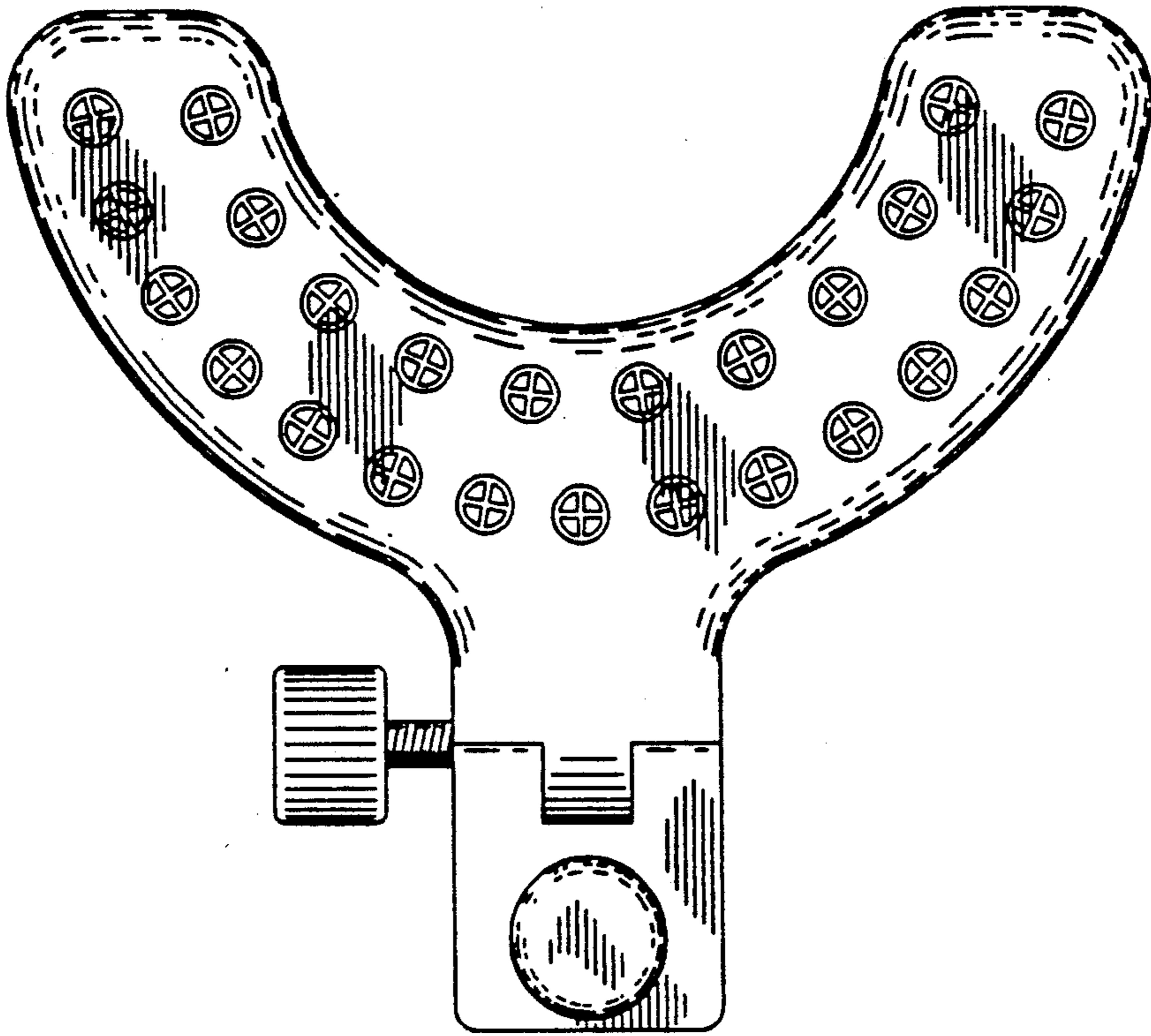


FIG. 2

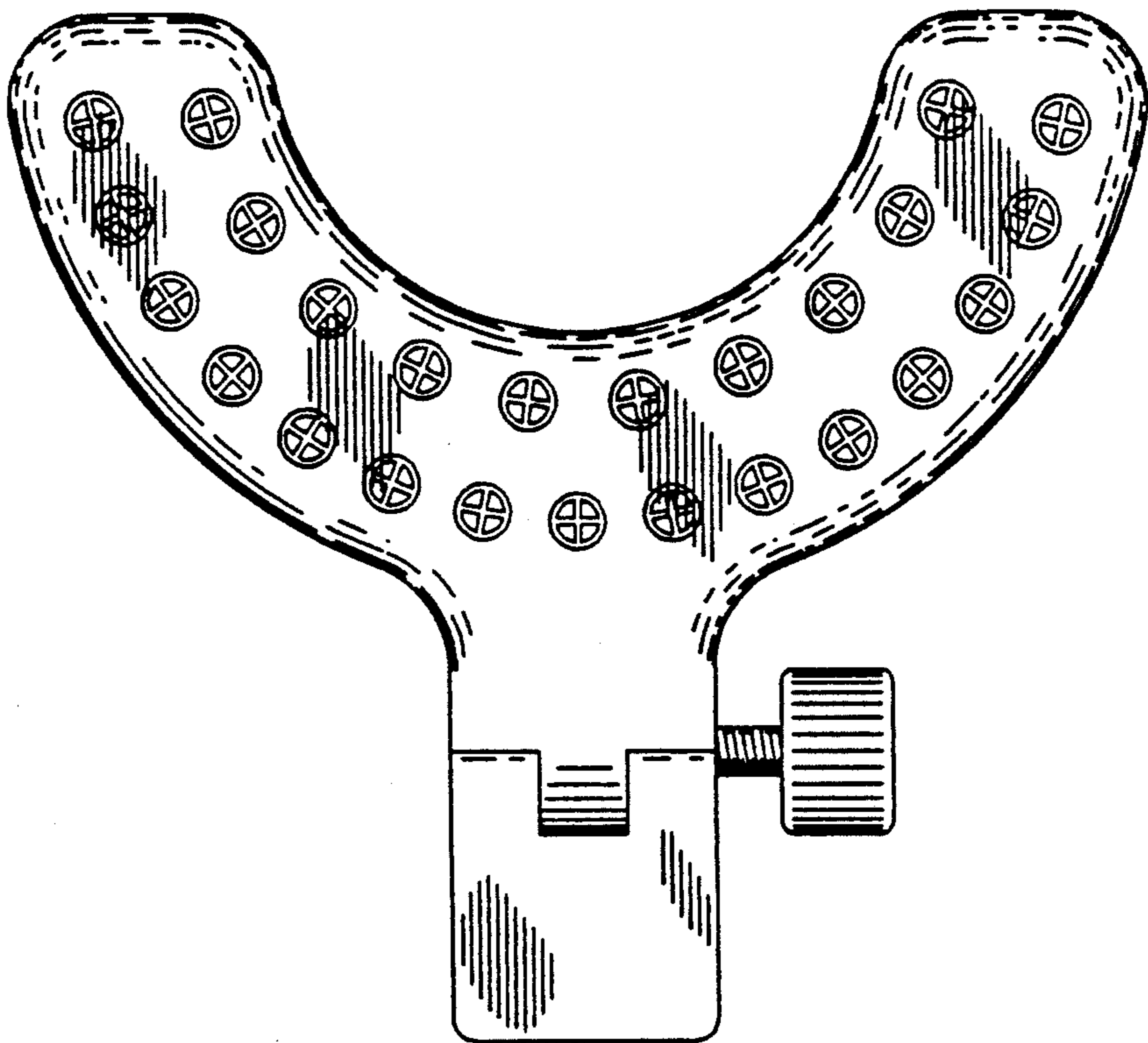


FIG. 3

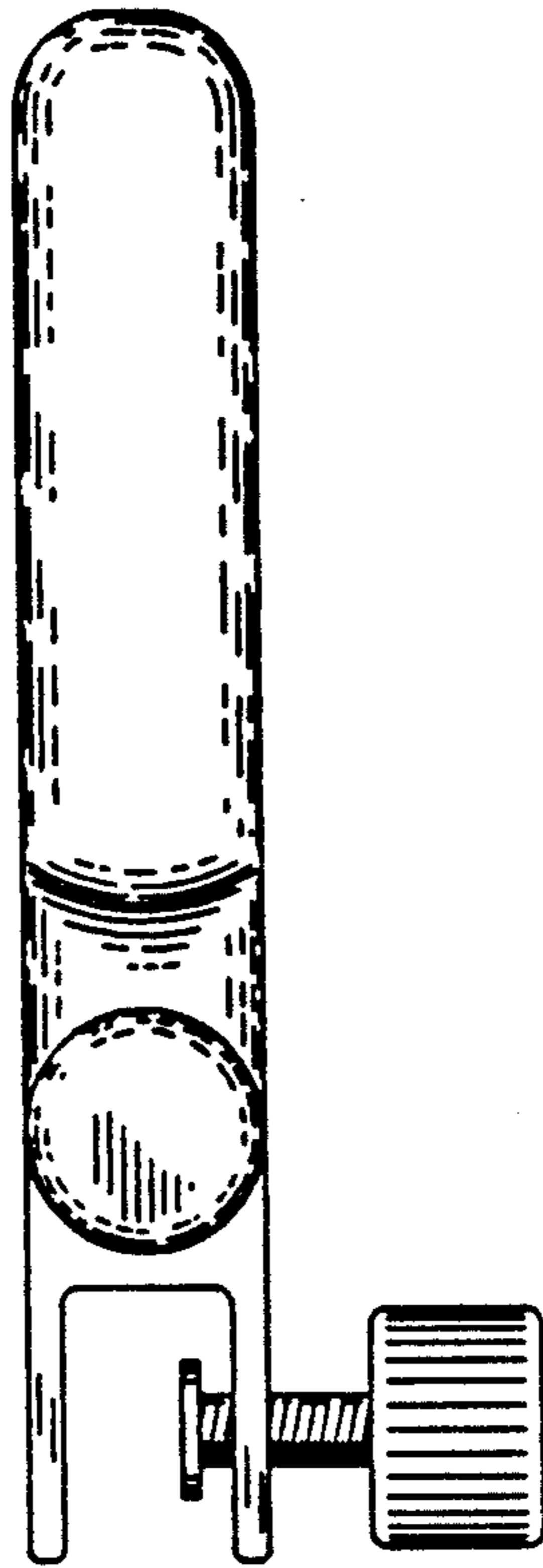


FIG. 4

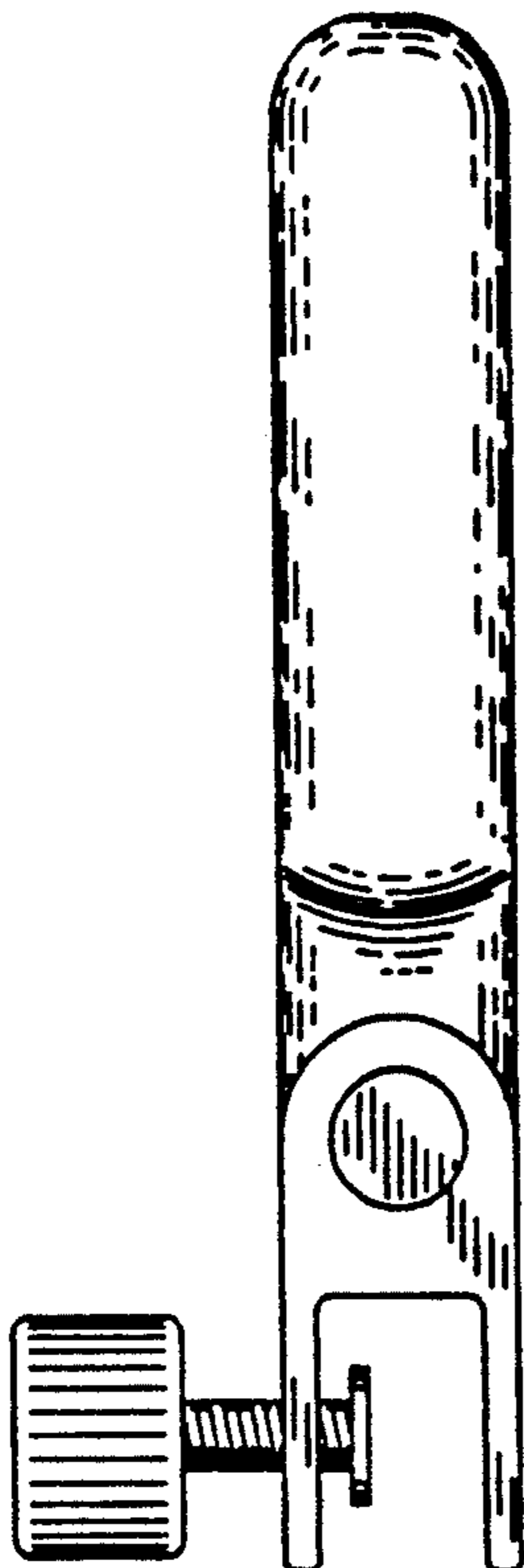


FIG. 5

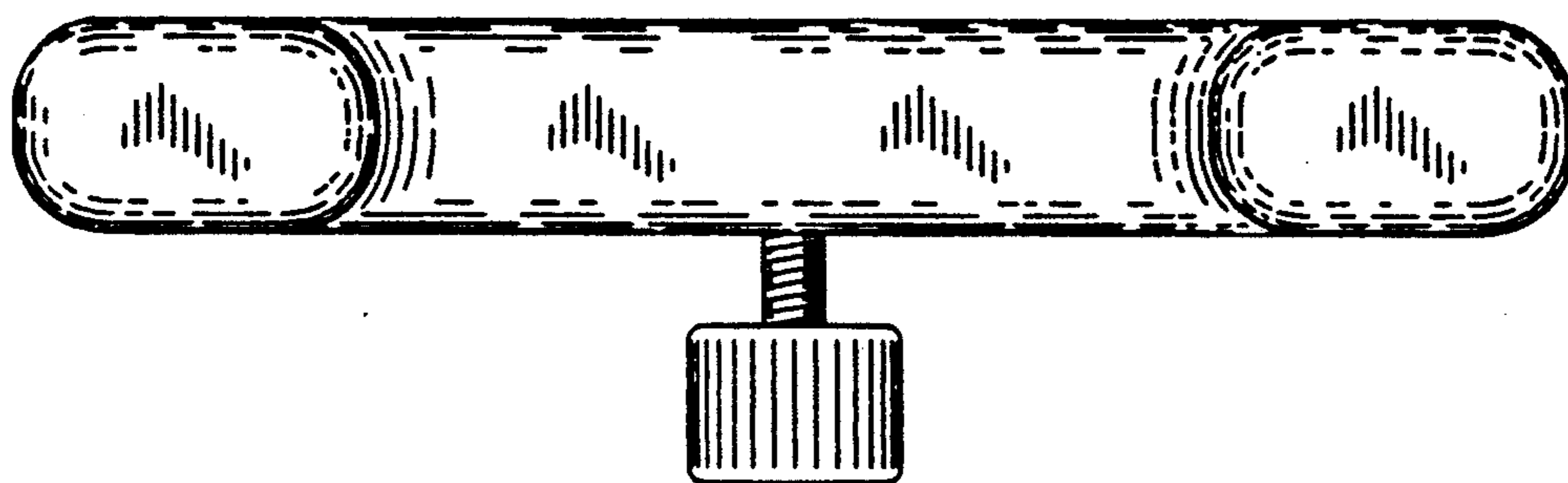


FIG. 6

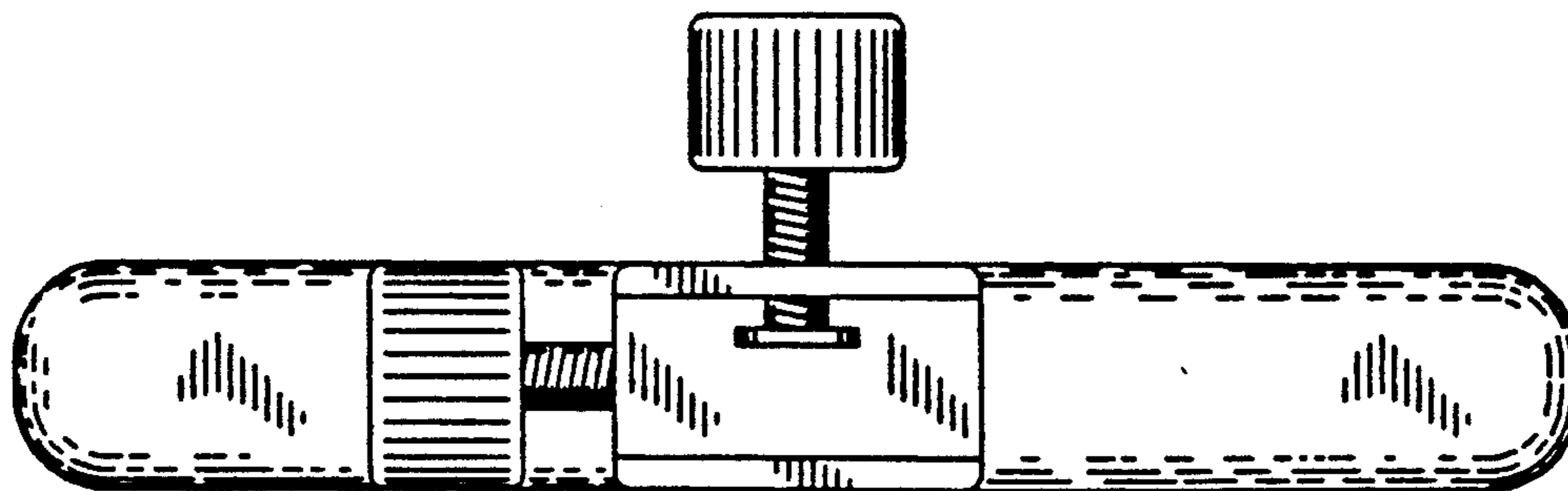


FIG. 7

