



US00D335416S

United States Patent [19]

[11] Patent Number: **Des. 335,416**

Shaw

[45] Date of Patent: **** May 11, 1993**

[54] **BASEBALL EQUIPMENT STORAGE AND ORGANIZER CASE**

Attorney, Agent, or Firm—Bill D. McCarthy; Glen M. Burdick

[76] Inventor: **Christopher A. Shaw**, 8733 Tracy Dr., Oklahoma City, Okla. 73132

[57] **CLAIM**

The ornamental design for a baseball equipment storage and organizer case, as shown and described.

[**] Term: **14 Years**

DESCRIPTION

[21] Appl. No.: **749,414**

FIG. 1 is a front perspective view of the baseball equipment storage and organizer case from one end thereof, showing my new design;

[22] Filed: **Aug. 23, 1991**

[52] U.S. Cl. **D6/552; D6/513**

FIG. 2 is a rear perspective view from an opposite end thereof;

[58] Field of Search **D6/512-513, D6/552-553, 559-561; 108/28, 59; 206/44 R, 207, 278, 8, 315.1, 315.9; 211/13, 86, 113; 312/114, 138.1, 245**

FIG. 3 is a front elevational view thereof;

FIG. 4 is a rear elevational view thereof;

FIG. 5 is a side elevational view thereof;

FIG. 6 is an elevational view of an opposite side thereof;

FIG. 7 is a top plan view thereof;

FIG. 8 is a bottom plan view thereof; and,

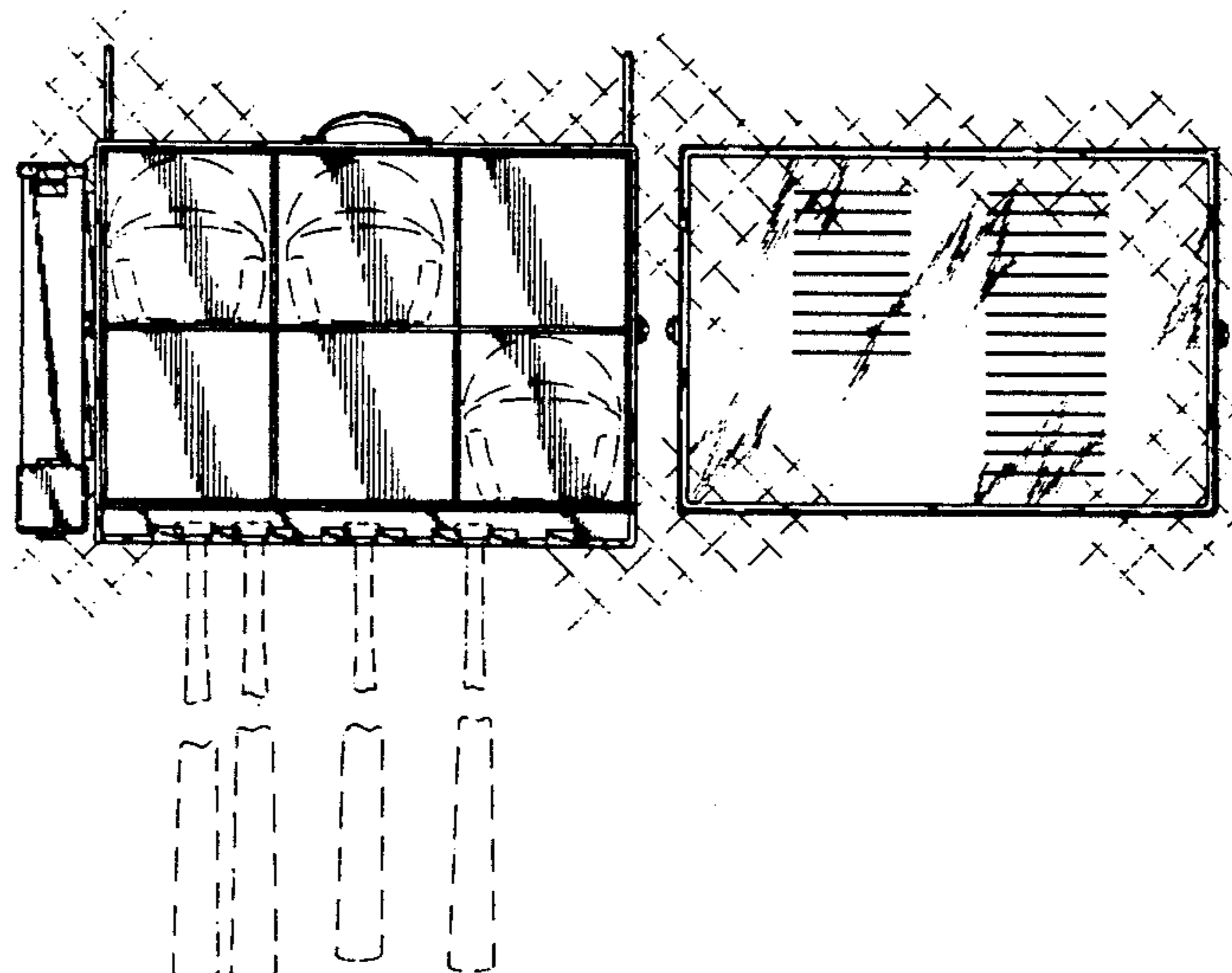
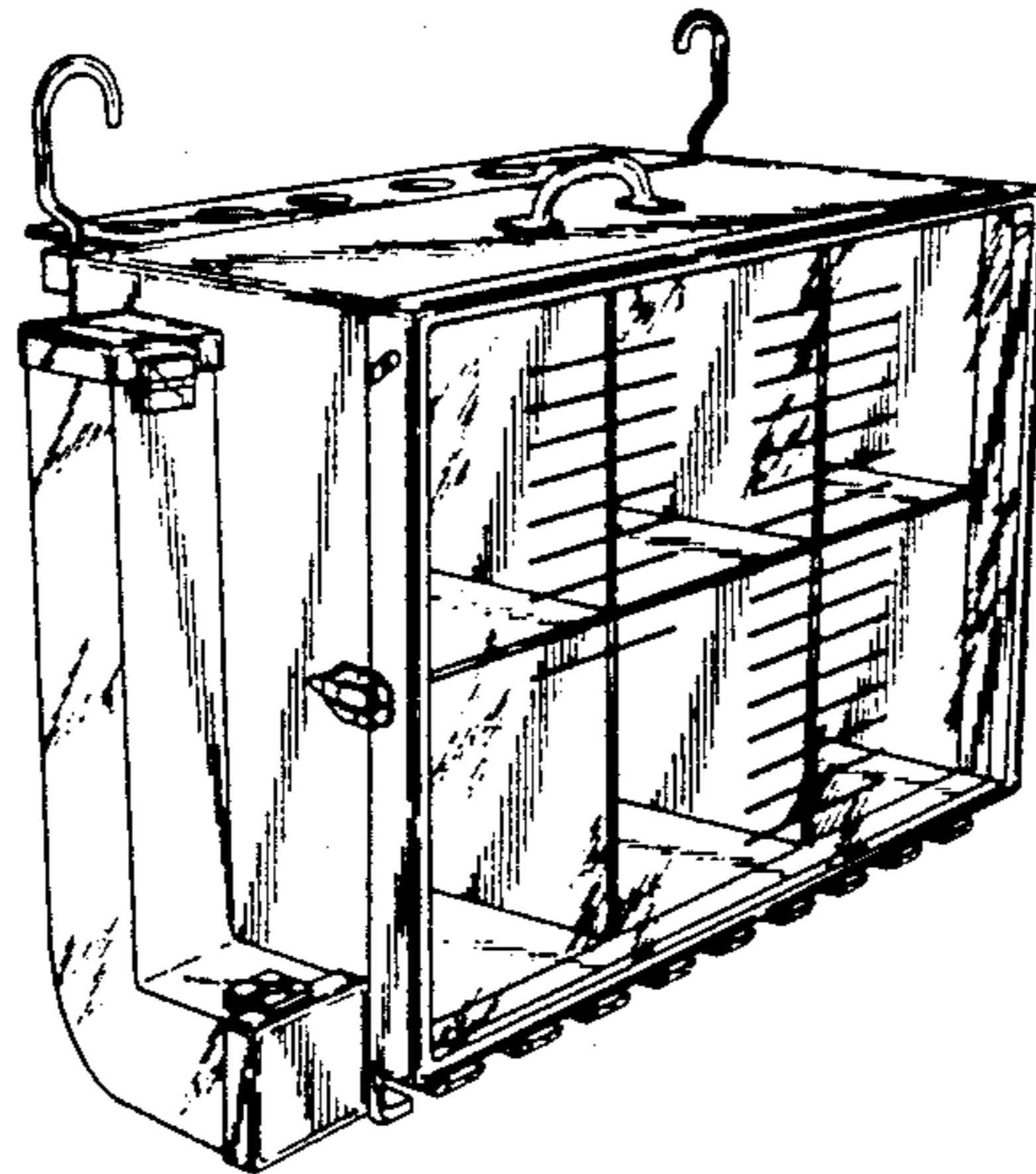
FIG. 9 is a front elevational view thereof wherein a front cover has been removed from a storage portion and the front portion and storage portion secured to a fence, the fence, helmets and bats being shown in broken lines for illustrative purposes only and forming no part of the claimed design.

[56] **References Cited**

U.S. PATENT DOCUMENTS

D. 250,623	12/1978	Albert	D6/560
D. 266,384	10/1982	Lundin	D6/553
D. 317,234	6/1991	Ruck	D6/553
D. 320,325	10/1991	Barfield	D6/552
D. 323,988	2/1992	Ruck	D6/515 X
3,893,615	7/1975	Johnson	108/28 X

Primary Examiner—Brian N. Vinson



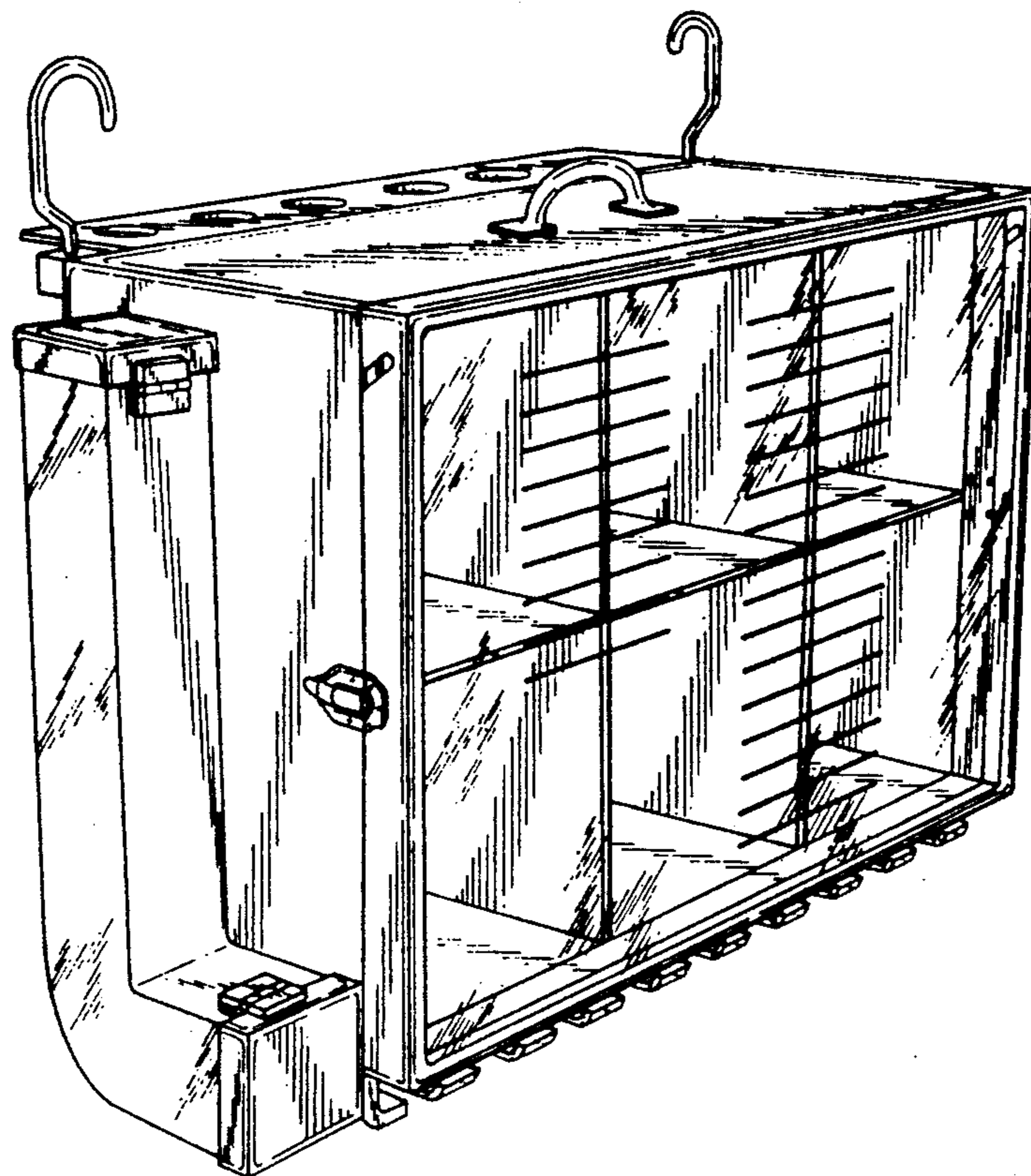


FIG. 1

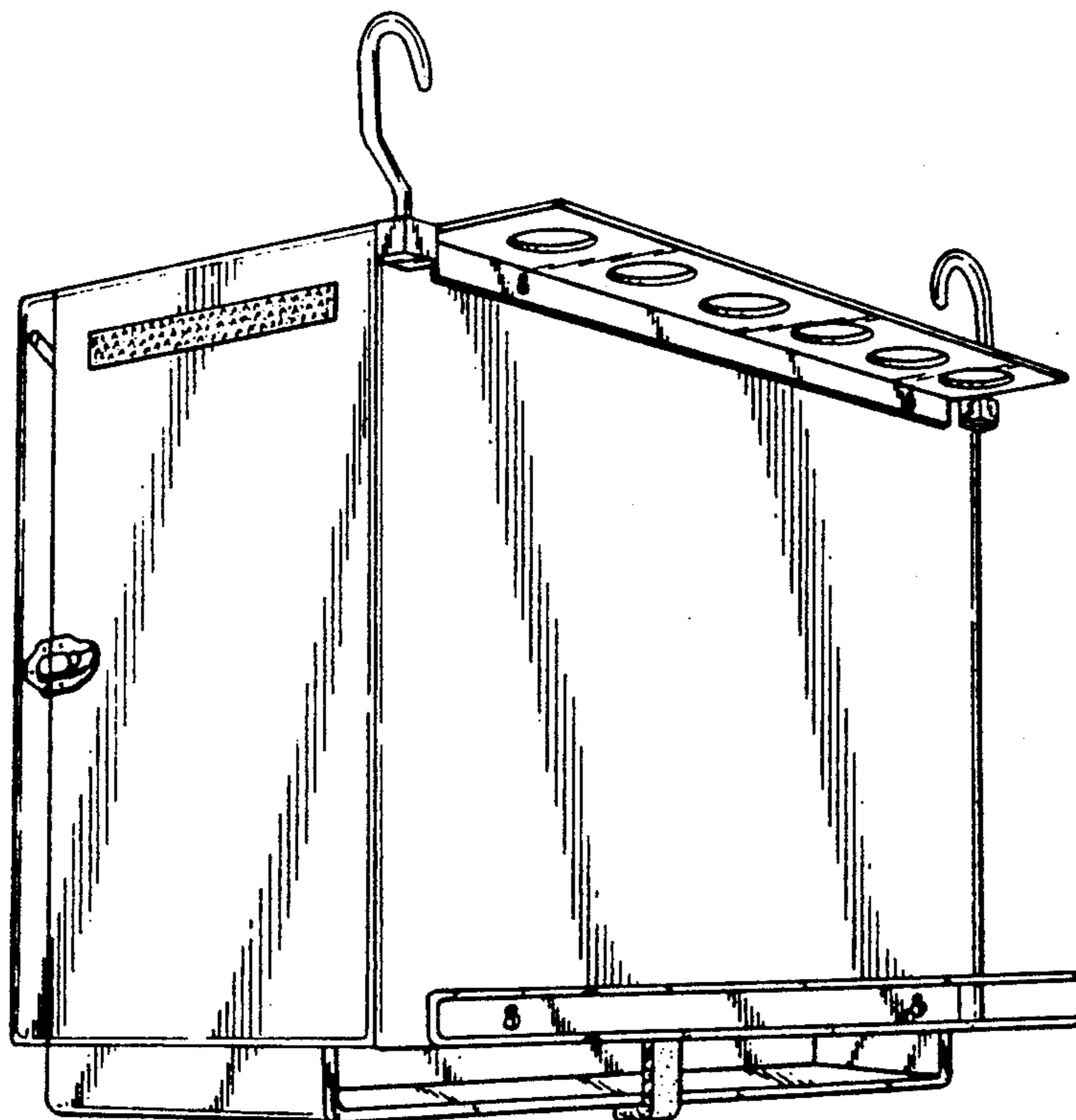


FIG. 2

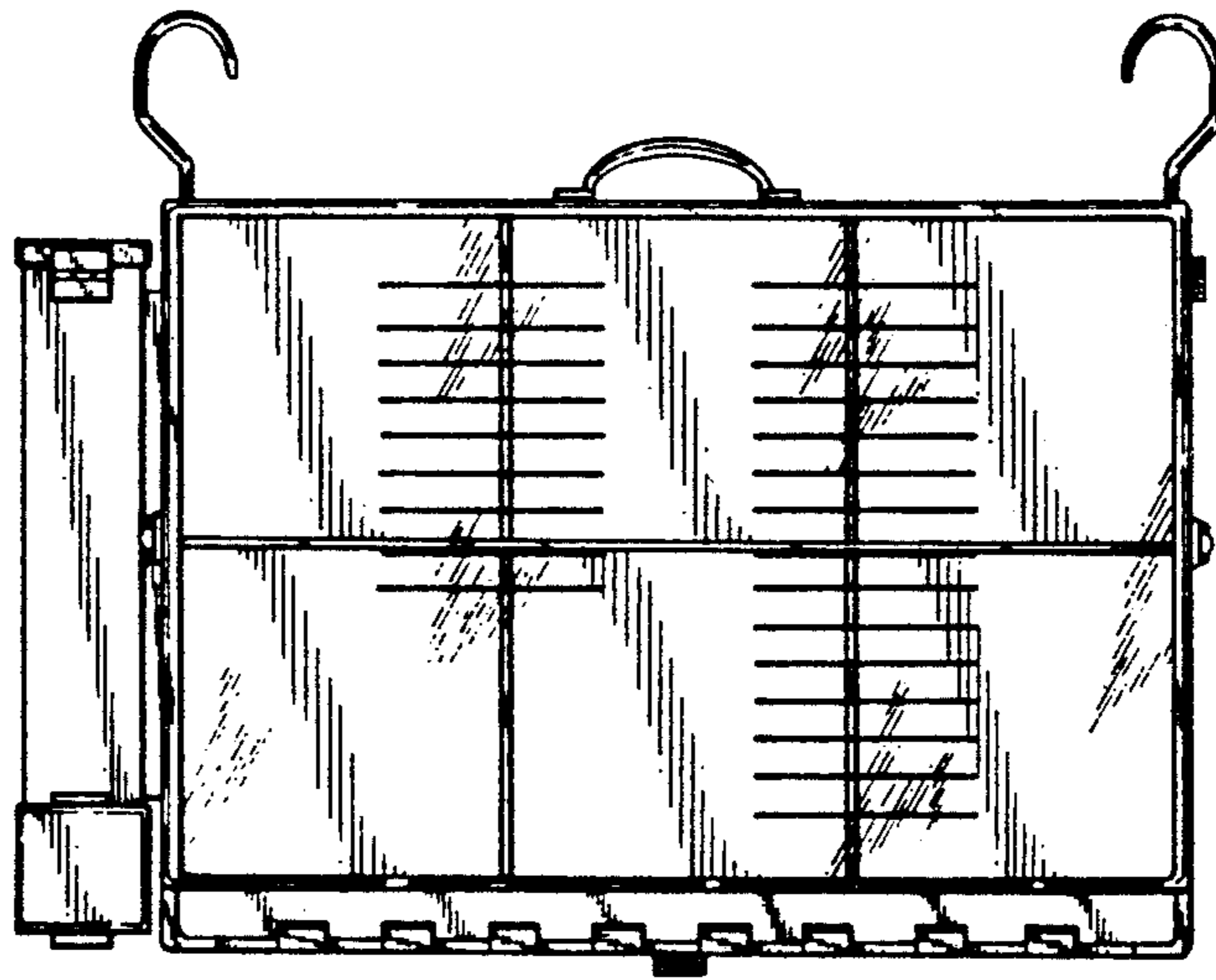


FIG. 1

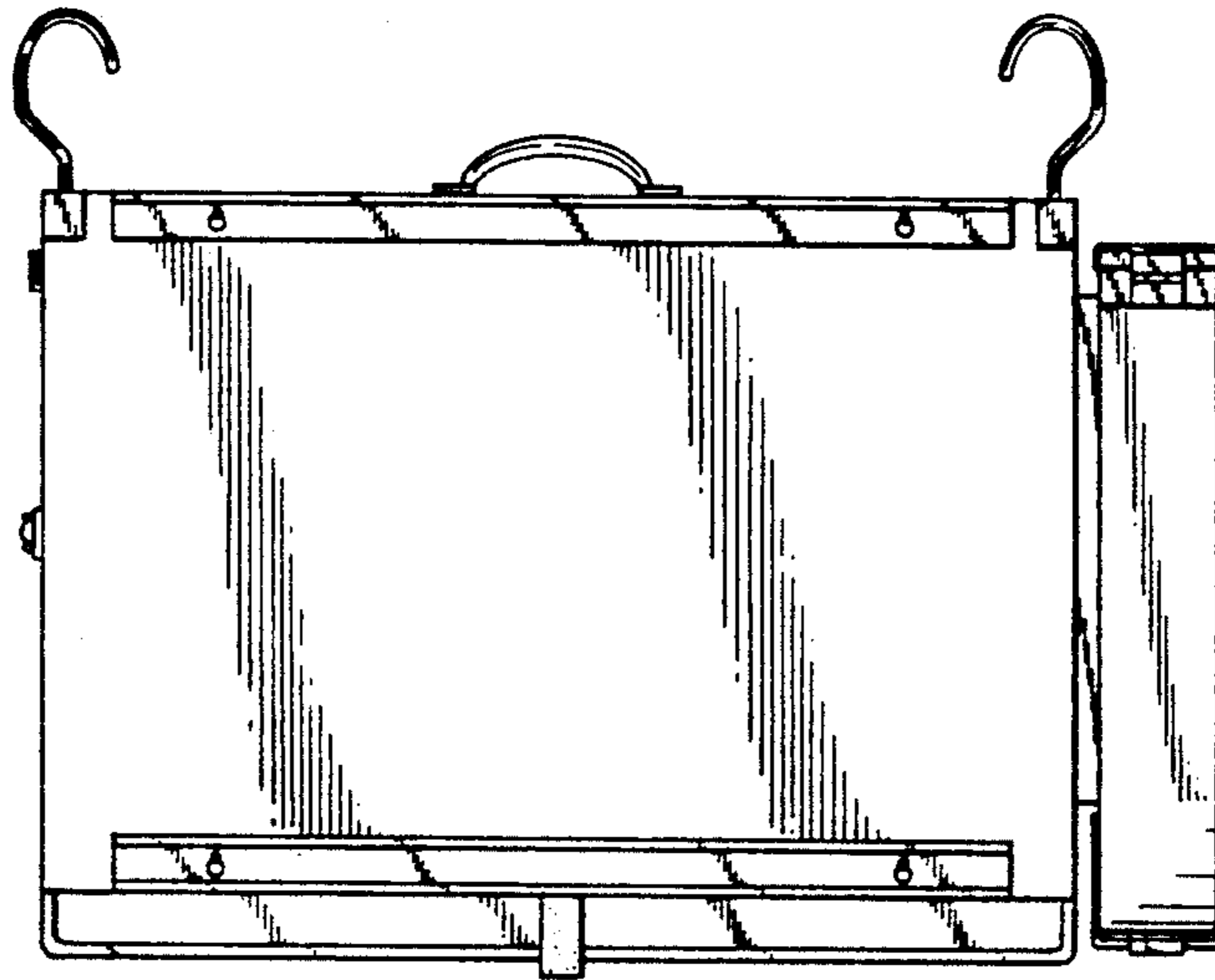


FIG. 2

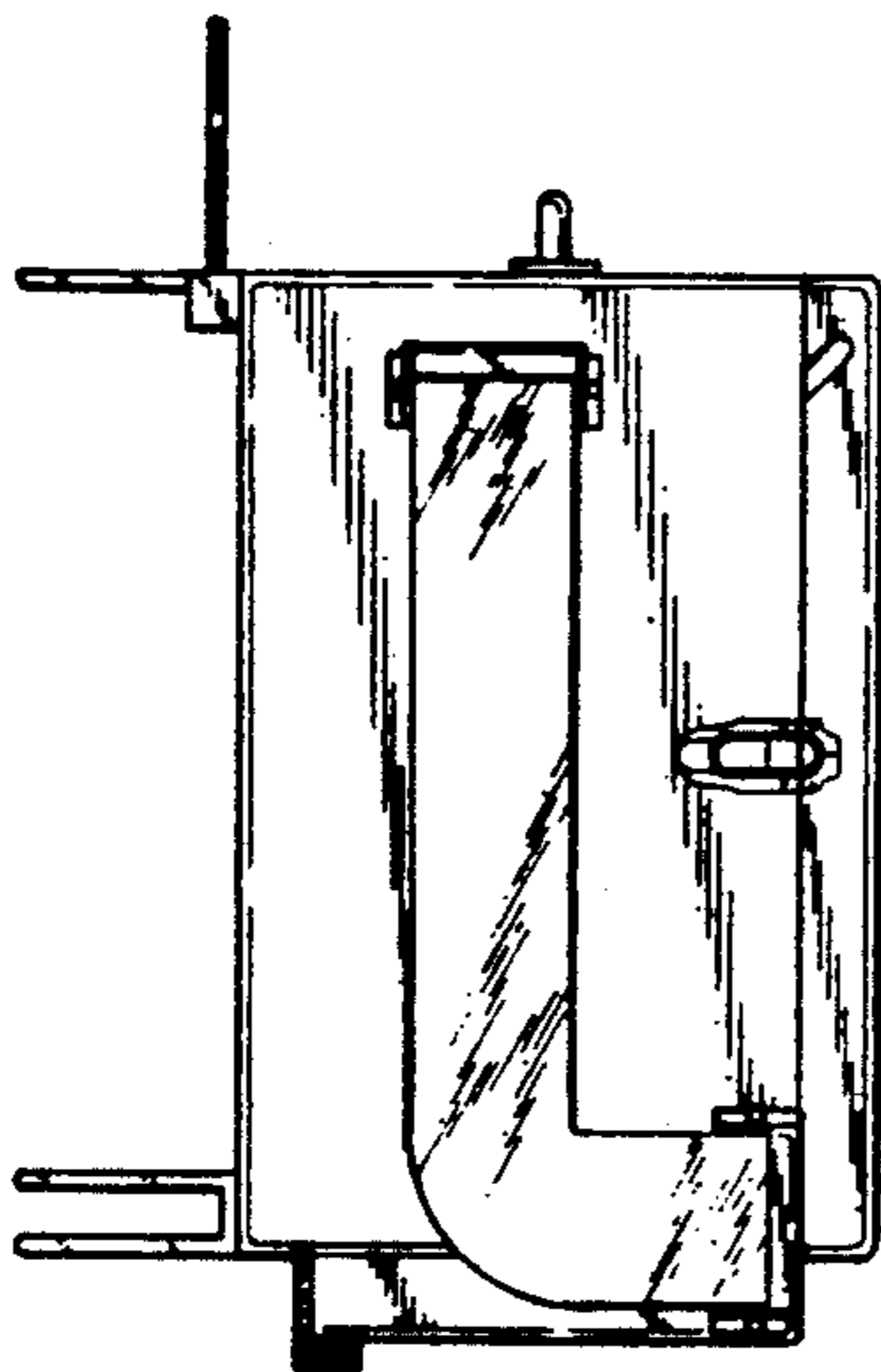


FIG. 3

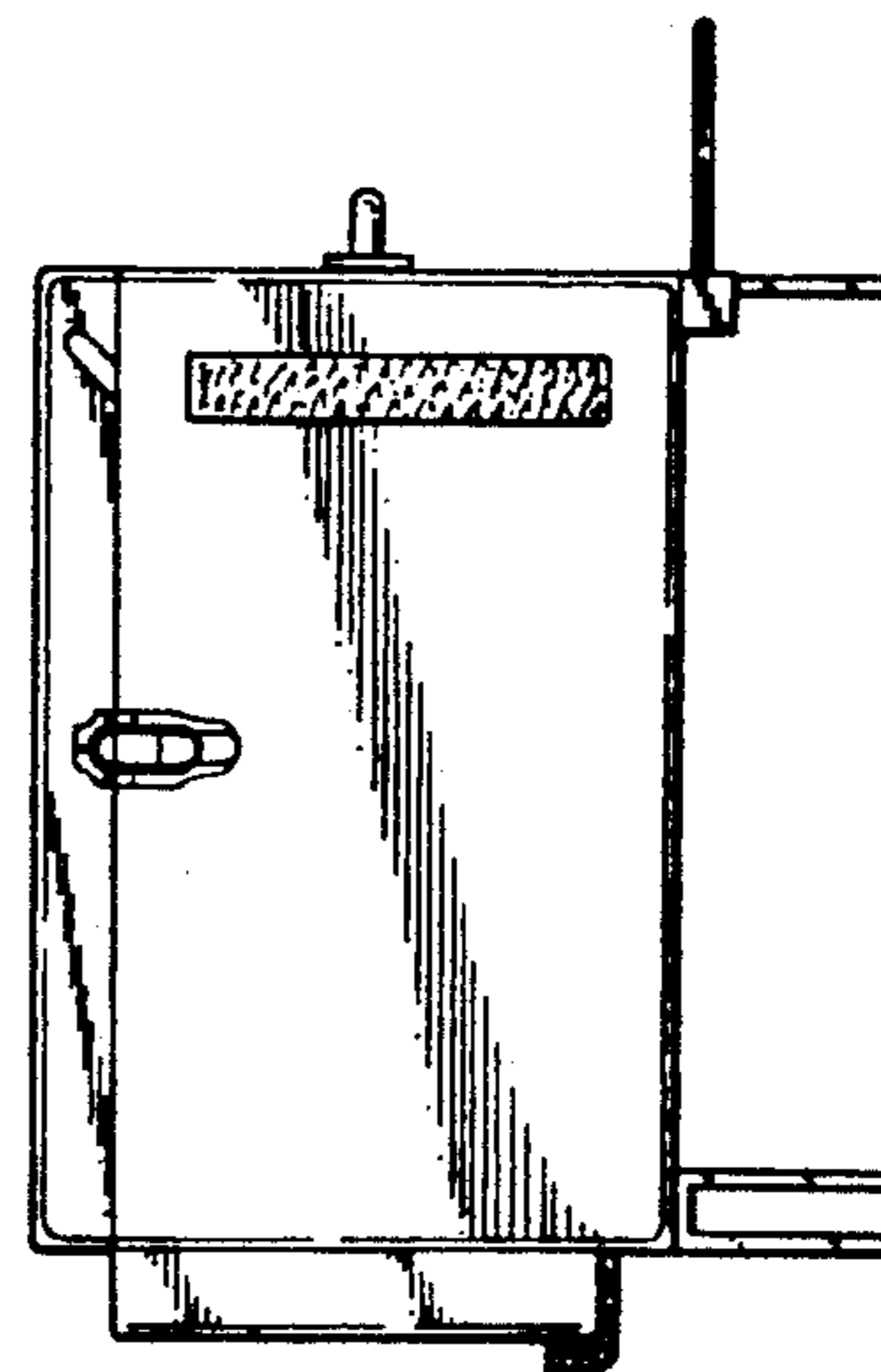


FIG. 4

