



US00D335410S

United States Patent [19]

[11] Patent Number: **Des. 335,410**

Abel et al.

[45] Date of Patent: **** May 11, 1993**

[54] TOILET TISSUE DISPENSER

4,088,276 5/1978 Littleton 242/55.53

[75] Inventors: **Paul C. Abel**, Northridge; **Marvin C. Wells**, Thousand Oaks, both of Calif.

Primary Examiner—Brian N. Vinson
Attorney, Agent, or Firm—Harris, Kern, Wallen & Tinsley

[73] Assignee: **Bobrick Washroom Equipment, Inc.**, North Hollywood, Calif.

[57] **CLAIM**

[**] Term: **14 Years**

The ornamental design for a toilet tissue dispenser, as shown and described.

[21] Appl. No.: **757,119**

DESCRIPTION

[22] Filed: **Sep. 10, 1991**

FIG. 1 is a top, front, and right side perspective view of a toilet tissue dispenser showing our new design, the broken-line disclosure of a wall fragment being for illustrative purposes only and forming no part of the claimed design;

[52] U.S. Cl. **D6/520**

[58] Field of Search **D6/518-523;**
206/389, 391; 221/92; 242/55.2, 55.3, 55.53

FIG. 2 is a front elevational view thereof;

FIG. 3 is a top plan view thereof;

FIG. 4 is a rear elevational view thereof;

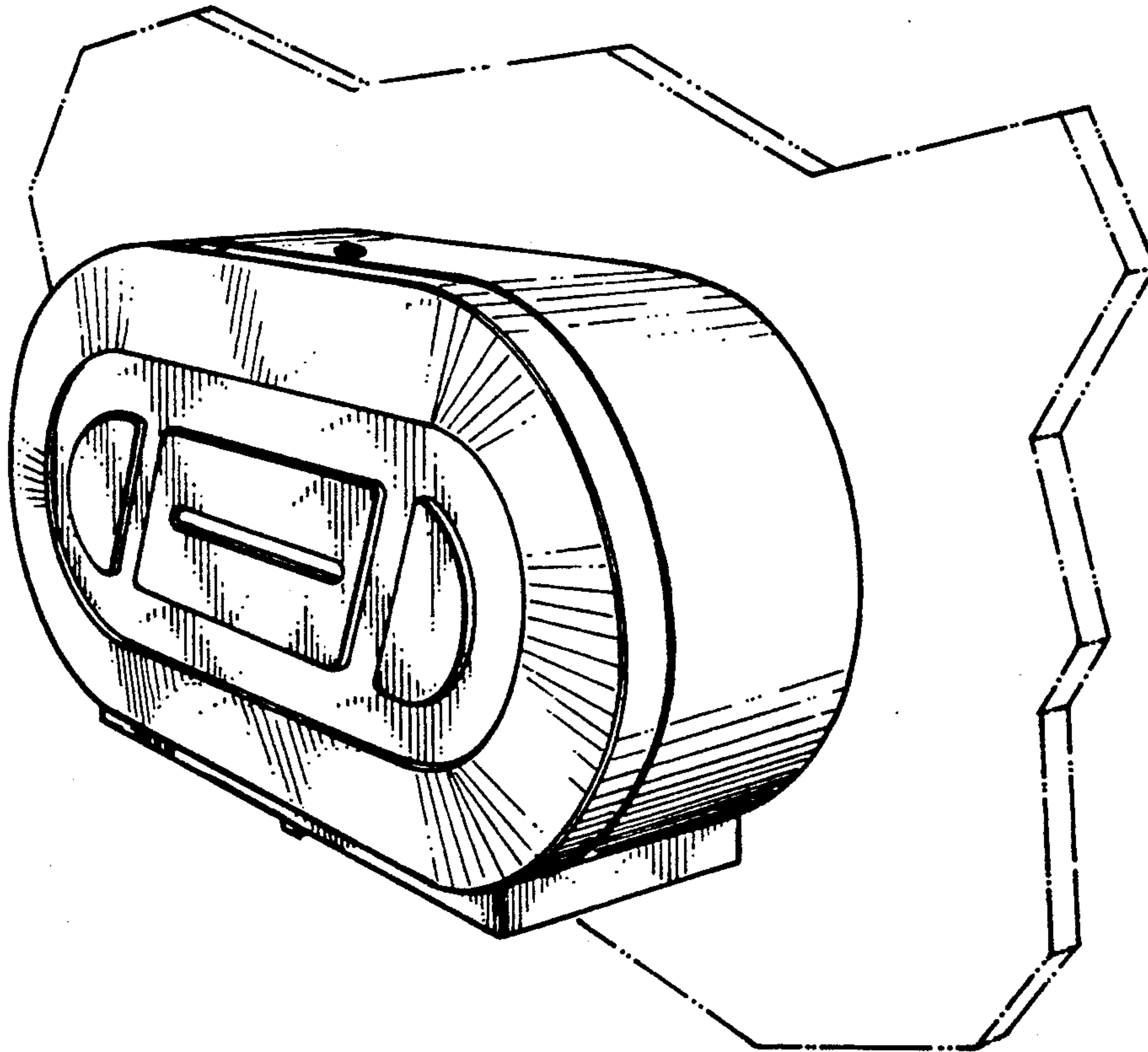
FIG. 5 is a left side elevational view thereof, the right side being a mirror image of that shown; and,

FIG. 6 is a bottom plan view thereof.

[56] **References Cited**

U.S. PATENT DOCUMENTS

- D. 307,805 5/1990 Omdoll et al. D6/520
- D. 310,922 10/1990 Sigmund D6/520
- D. 315,652 3/1991 Sigmund D6/520



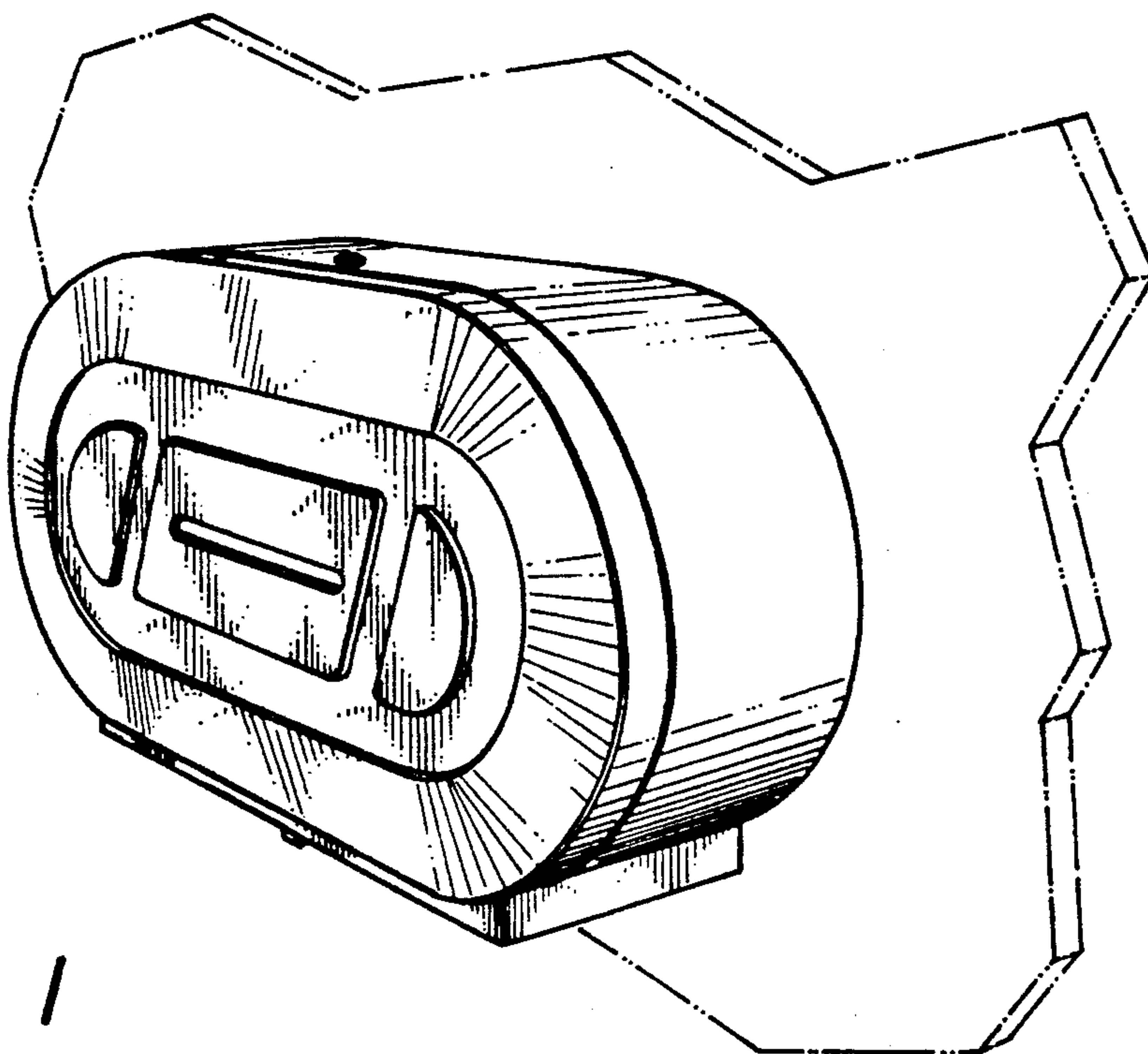


FIG. 1

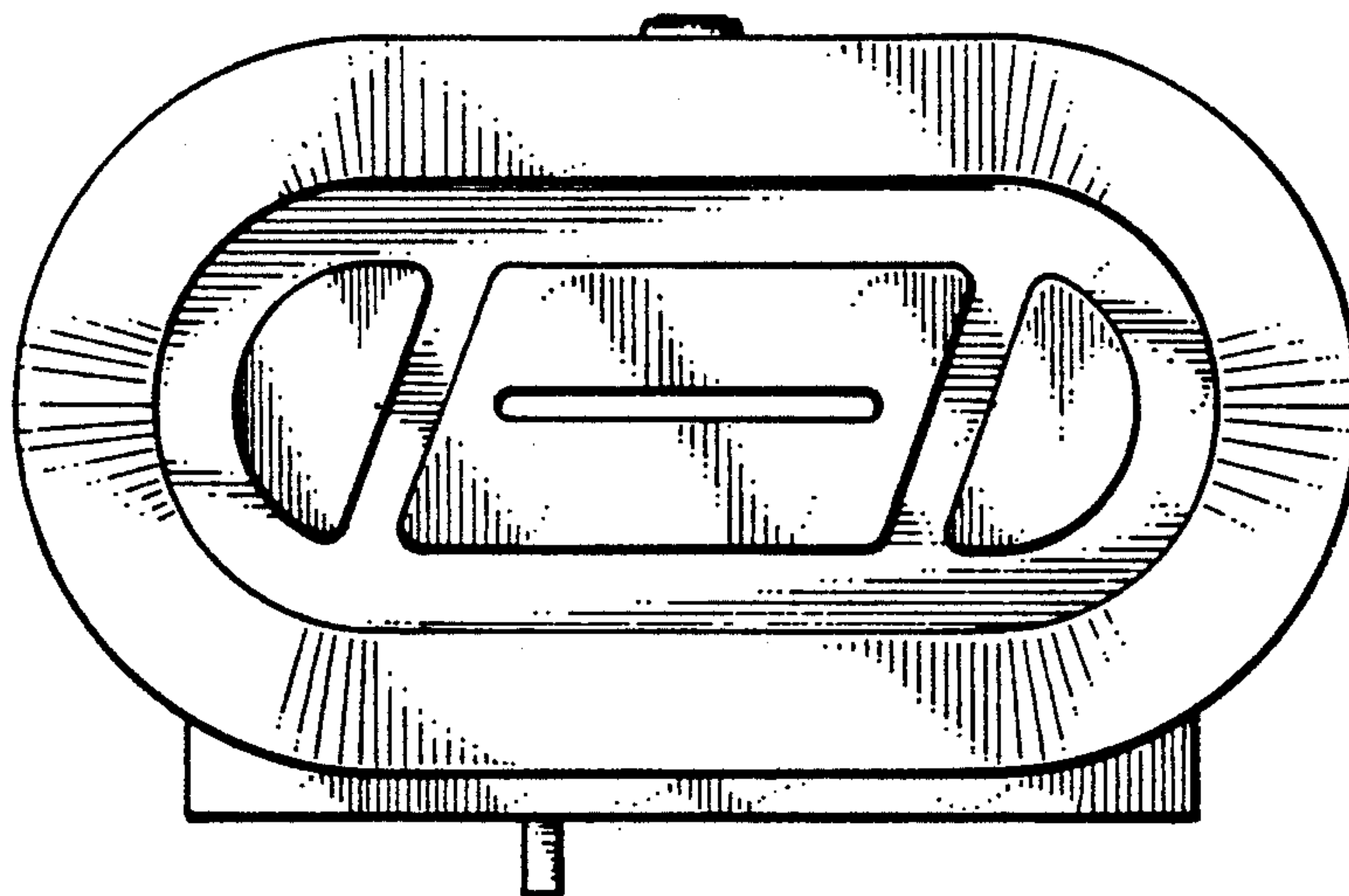


FIG. 2

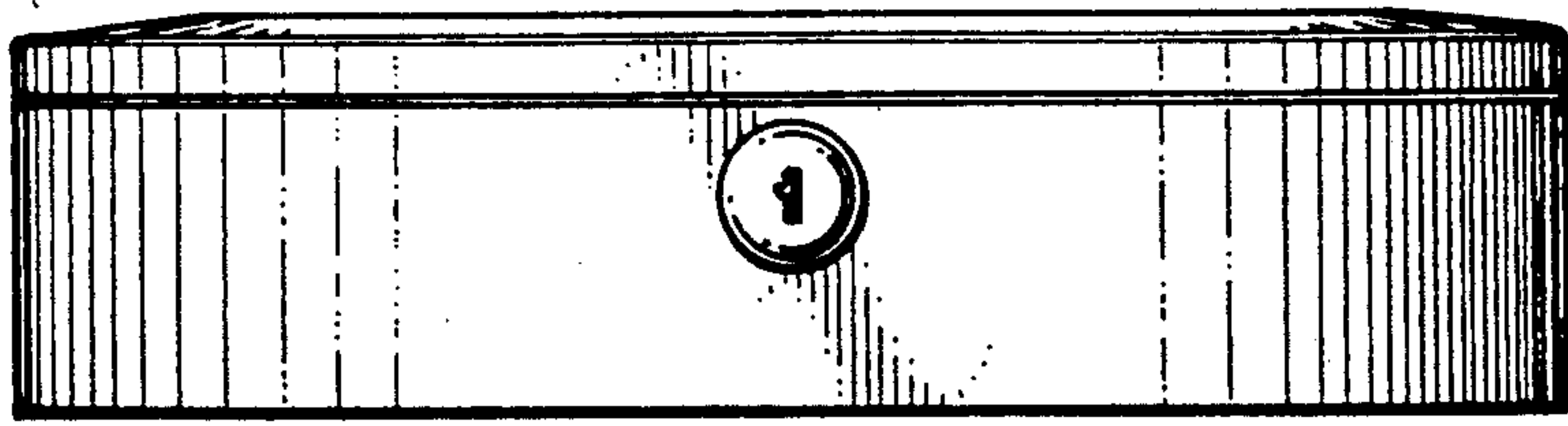


FIG. 3

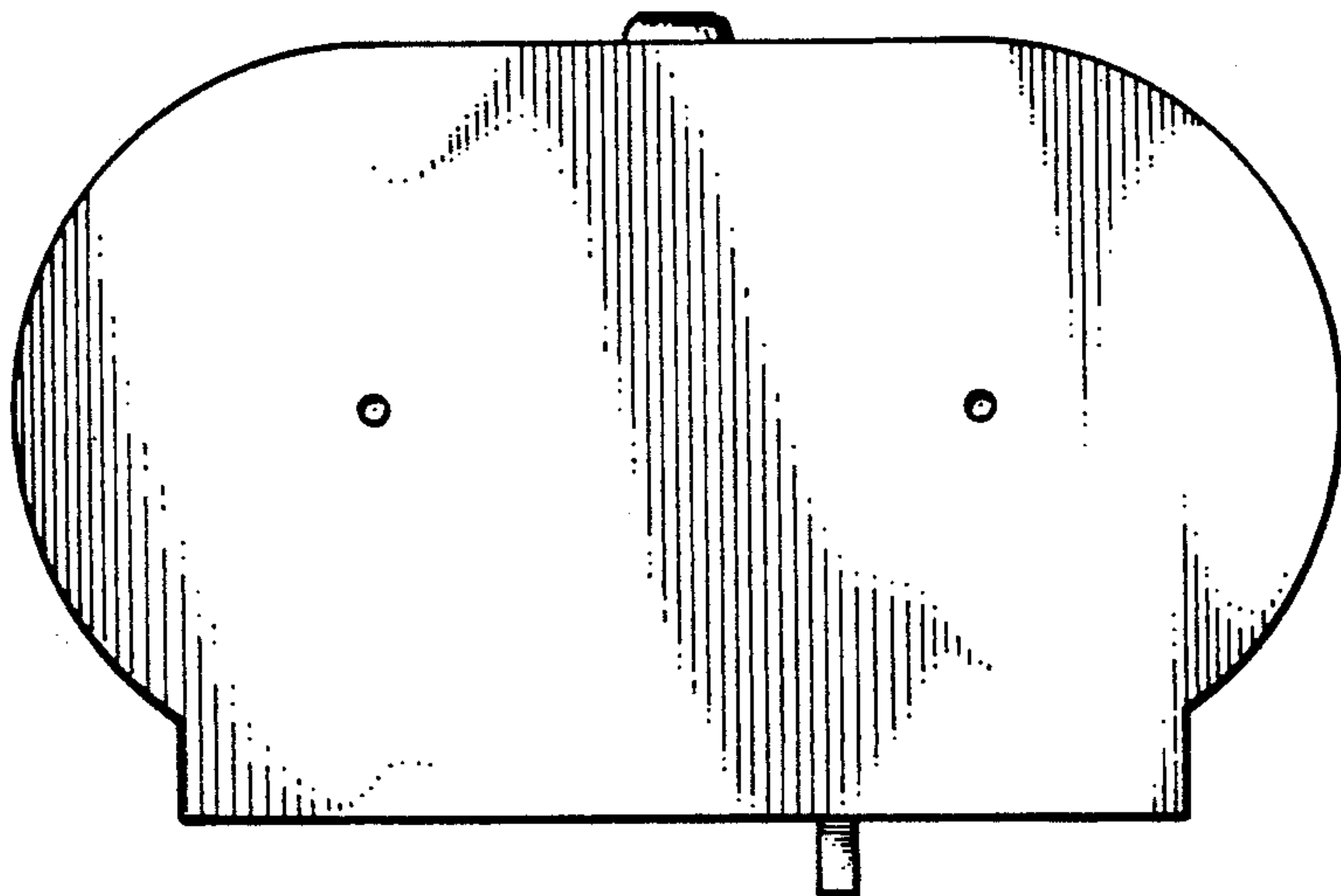


FIG. 4

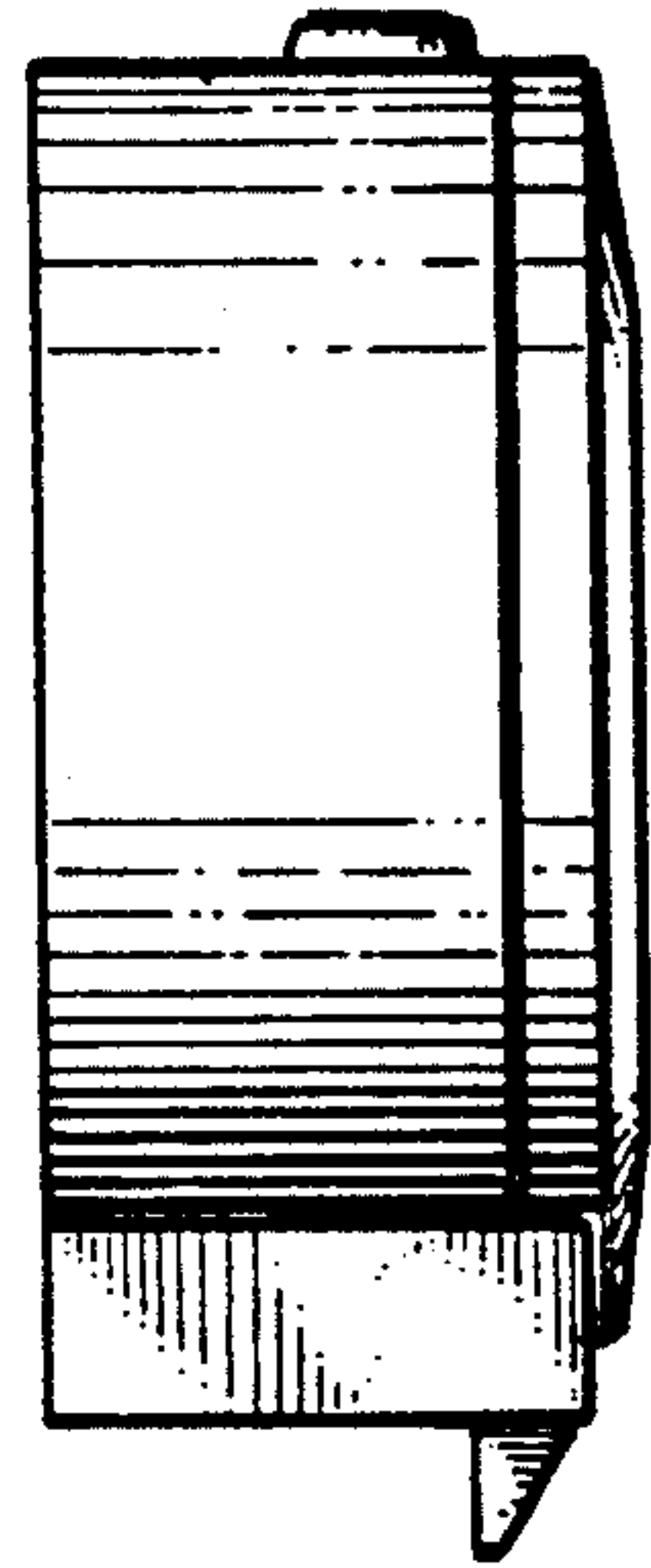


FIG. 5

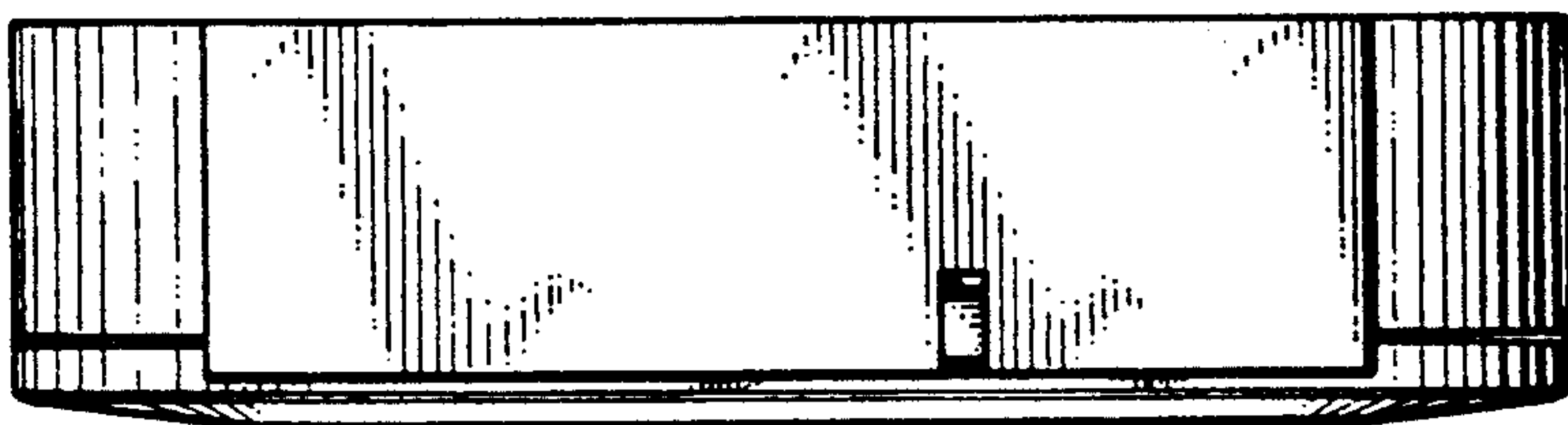


FIG. 6