



US00D335409S

United States Patent [19]

[11] Patent Number: **Des. 335,409**

Kellems

[45] Date of Patent: **** May 11, 1993**

[54] **DRAWER FRONT**

[75] Inventor: **Kenneth K. Kellems**, Costa Mesa, Calif.

[73] Assignee: **The Stanley Works**, New Britain, Conn.

[**] Term: **14 Years**

[21] Appl. No.: **566,228**

[22] Filed: **Aug. 10, 1990**

[52] U.S. Cl. **D6/510; D6/492**

[58] Field of Search **D6/491, 492, 509-511, D6/422; 312/330.1, 334, 348.1, 348.3; D8/314**

[56] **References Cited**

U.S. PATENT DOCUMENTS

D. 200,046	1/1965	Dillen	D6/509
D. 240,381	7/1976	Tazaki	D6/492
D. 255,741	7/1980	Litchfield et al.	D6/510
2,842,420	7/1958	Hansen et al.	D6/510 X
4,427,245	1/1984	Litchfield et al.	312/330.1

OTHER PUBLICATIONS

All-Steel, The Syntrax System ©1985, Cabinet Door at bottom.

Primary Examiner—Nelson C. Holtje
Assistant Examiner—J. E. Seeger
Attorney, Agent, or Firm—Christie, Parker & Hale

[57] **CLAIM**

The ornamental design for a drawer front, as shown and described.

DESCRIPTION

FIG. 1 is a perspective view of a drawer front, showing my new design;

FIG. 2 is a front elevational view thereof;

FIG. 3 is an end elevational view thereof;

FIG. 4 is a top plan view thereof;

FIG. 5 is a cross-sectional view taken from the front of the drawer;

FIG. 6 is a perspective view of a drawer front, showing a second embodiment of my new design;

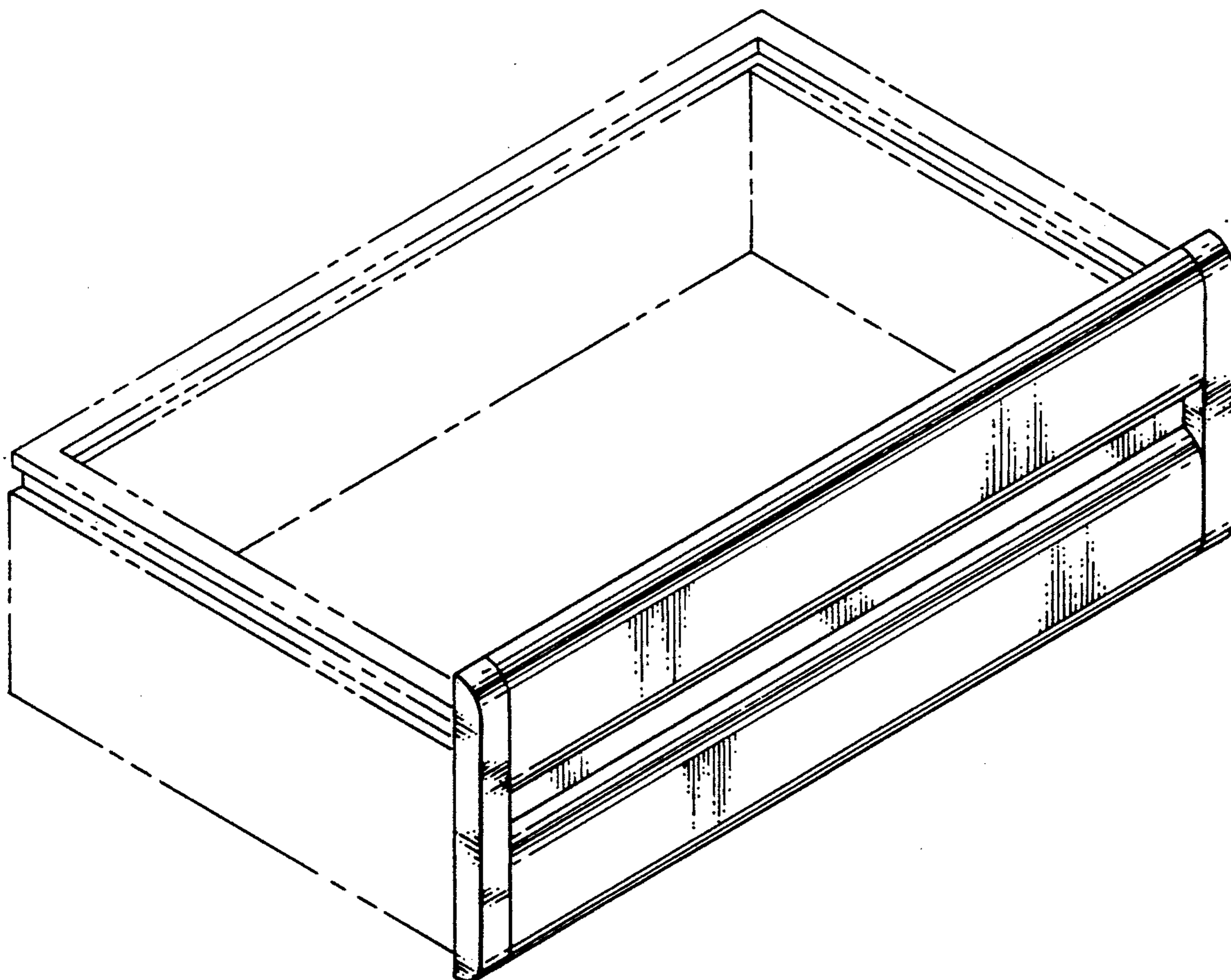
FIG. 7 is a front elevational view thereof;

FIG. 8 is an end elevational view, the opposite end being a mirror image thereof; and,

FIG. 9 is a cross-sectional view taken from the front of the drawer thereof.

The rear of the drawer is plain and unadorned.

The broken lines in FIGS. 1 and 6 are for environmental purposes only and form no part of the claimed design.



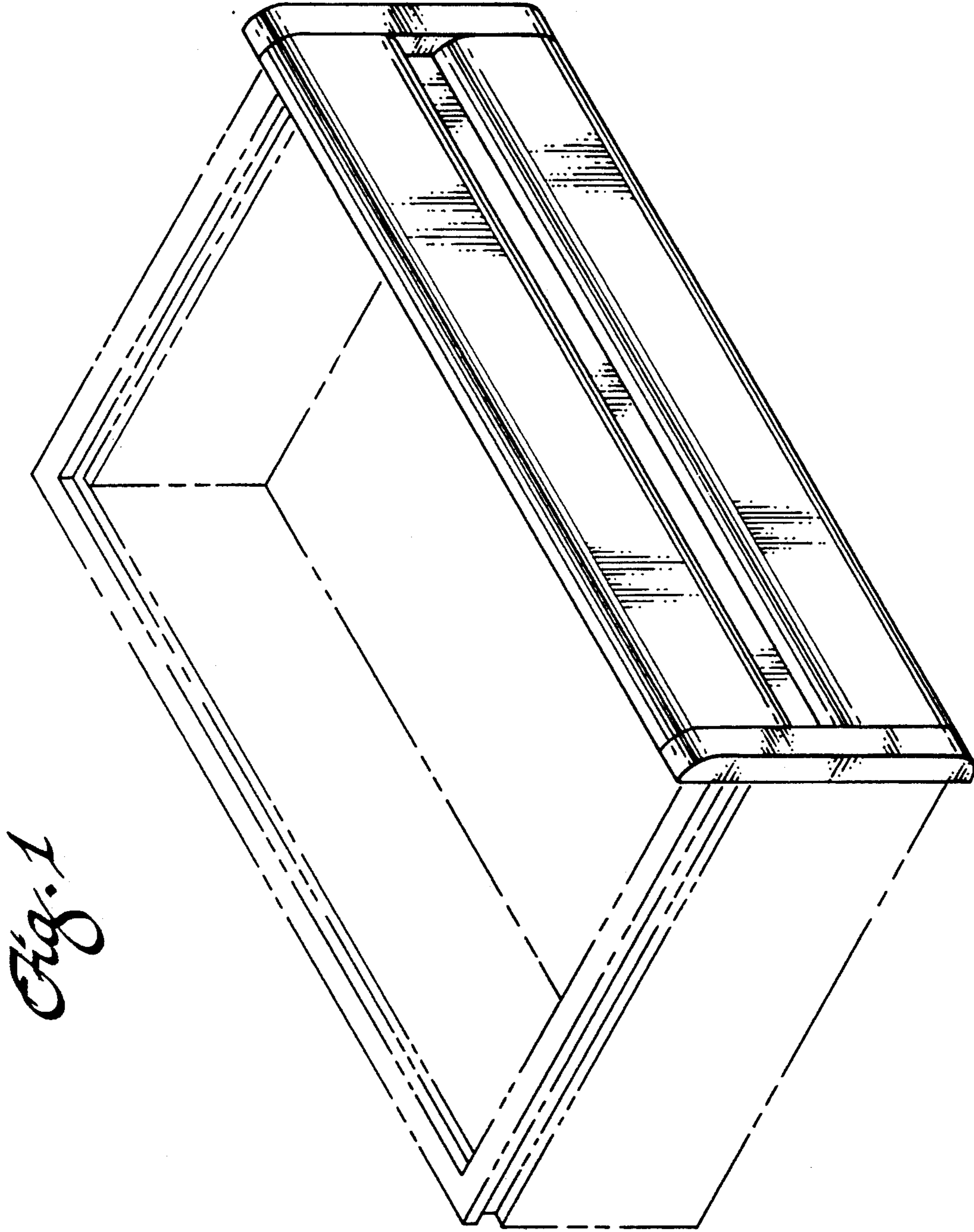


Fig. 1

Fig. 2

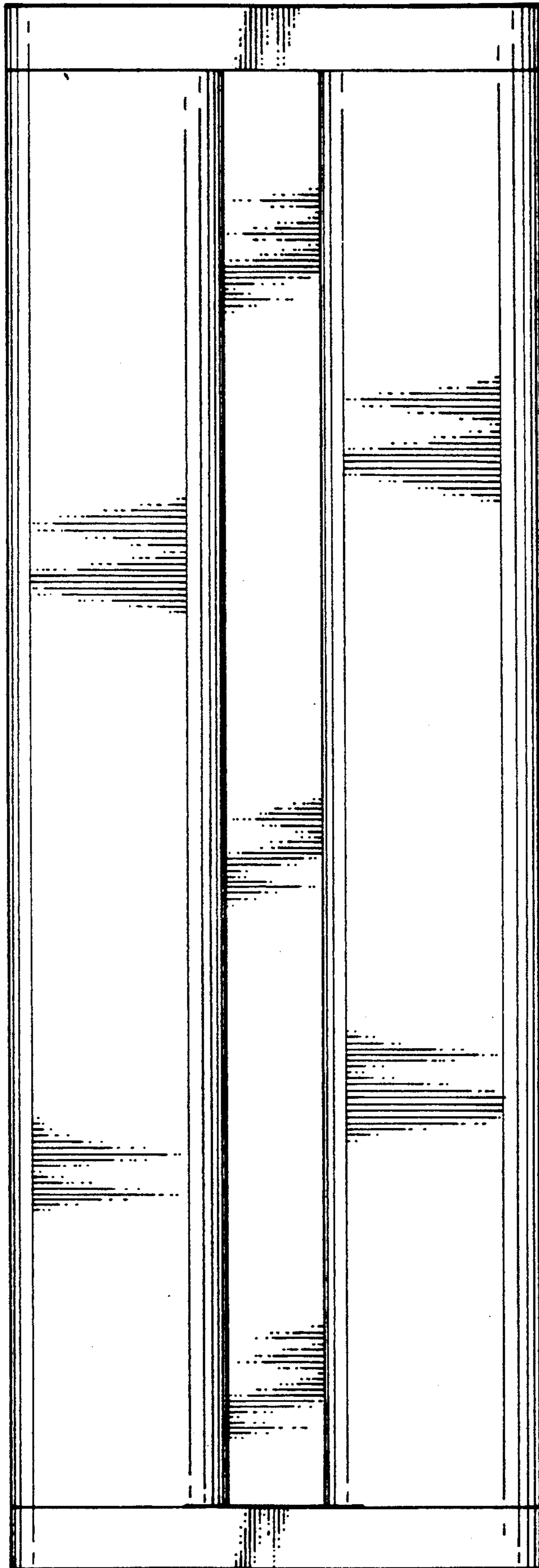


Fig. 3



Fig. 5



Fig. A



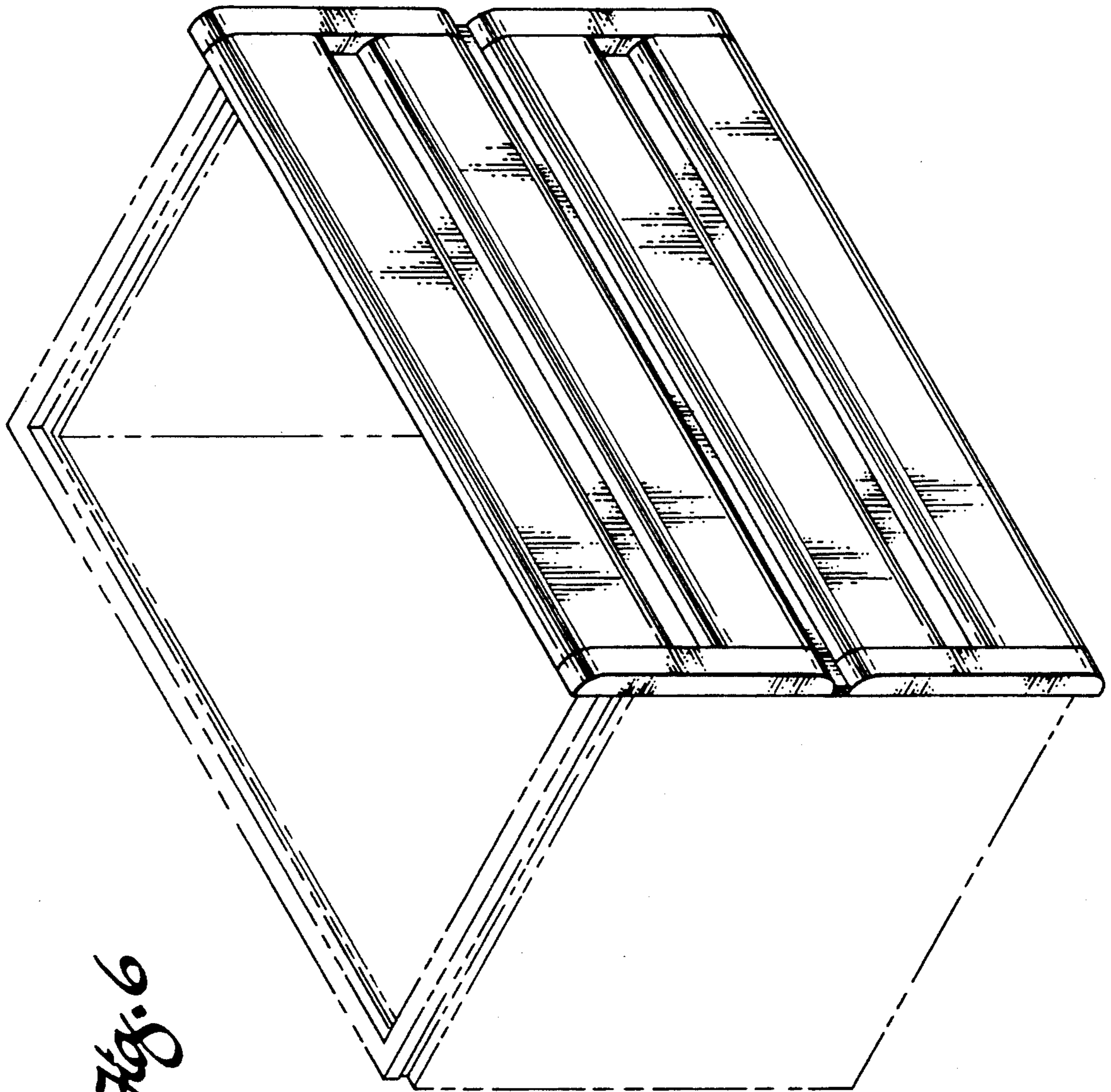


Fig. 6

Fig. 7

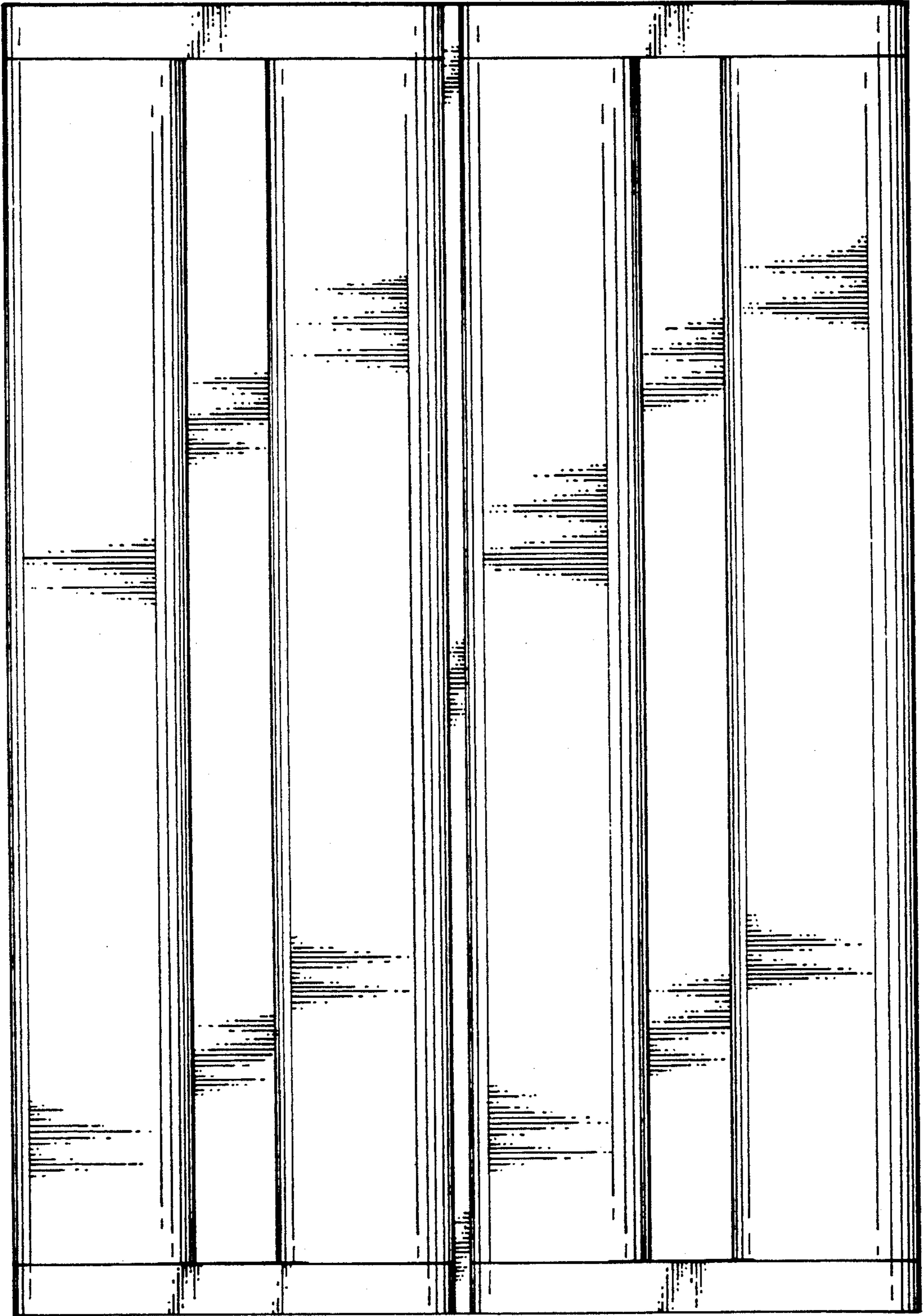


Fig. 8



Fig. 9

