



US00D335403S

United States Patent [19]

[11] Patent Number: Des. 335,403

Rittenberg

[45] Date of Patent: ** May 11, 1993

[54] DISPLAY RACK

5,031,783 7/1991 Goudreau 211/181

[75] Inventor: Gerry Rittenberg, Mamaroneck, N.Y.

Primary Examiner—Alan P. Douglas
Assistant Examiner—Jeffrey Asch
Attorney, Agent, or Firm—Darby & Darby

[73] Assignee: Amscan Incorporated, Harrison, N.Y.

[**] Term: 14 Years

[57] CLAIM

[21] Appl. No.: 832,755

The ornamental design for a display rack, as shown and described.

[22] Filed: Feb. 5, 1992

DESCRIPTION

[52] U.S. Cl. D6/464; D6/566; D6/571

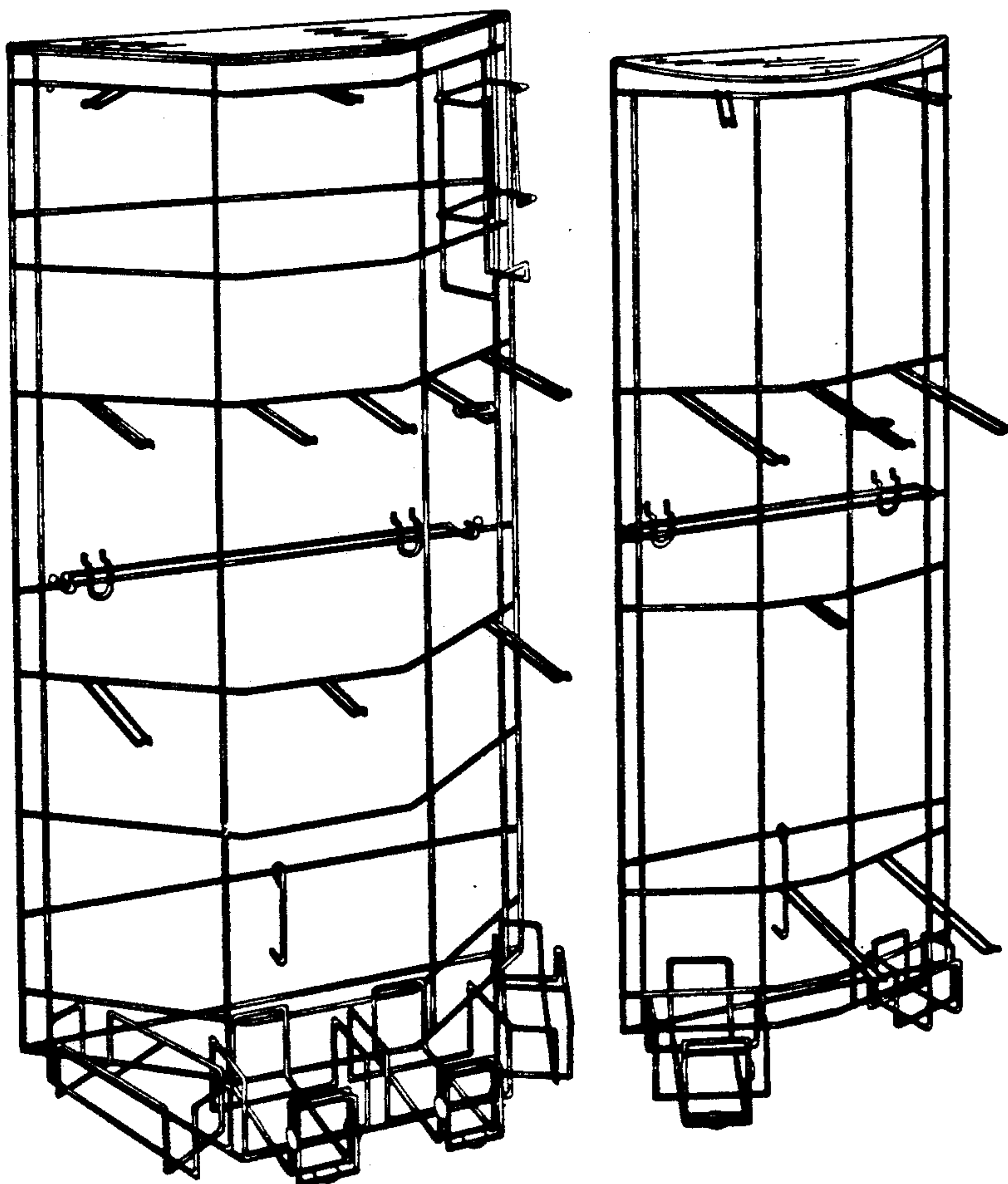
[58] Field of Search D6/396, 397, 449, 466, D6/462-465, 469-574; 211/13, 181, 59.1, 49.1, 54.1, 57.1

[56] References Cited

U.S. PATENT DOCUMENTS

D. 106,230	9/1937	Fawcett	211/181	X
D. 182,714	5/1958	Dowdall	D6/566	
D. 220,438	4/1971	Gross	D6/566	
D. 228,714	10/1973	Watley	D6/465	
D. 236,050	7/1975	Folberth	D6/566	
D. 241,994	10/1976	Shaner et al.	D6/465	X
D. 250,500	12/1978	Marks	D6/465	X
D. 290,563	6/1987	Moore, Jr. et al.	D6/463	
D. 297,998	10/1988	Edson	D6/566	

FIG. 1 is a perspective view from the front left, of a display rack embodying my new design;
FIG. 2 is a front elevational view thereof;
FIG. 3 is a left side elevational view thereof;
FIG. 4 is a right side elevational view thereof;
FIG. 5 is a rear elevational view thereof;
FIG. 6 is a top plan view thereof;
FIG. 7 is a bottom plan view thereof;
FIG. 8 is a perspective view from the left of a second embodiment of that shown in FIG. 1;
FIG. 9 is a front elevational view thereof;
FIG. 10 is a left side elevational view thereof;
FIG. 11 is a right side elevational view thereof;
FIG. 12 is a rear elevational view thereof;
FIG. 13 is a top plan view thereof; and,
FIG. 14 is a bottom plan view thereof.



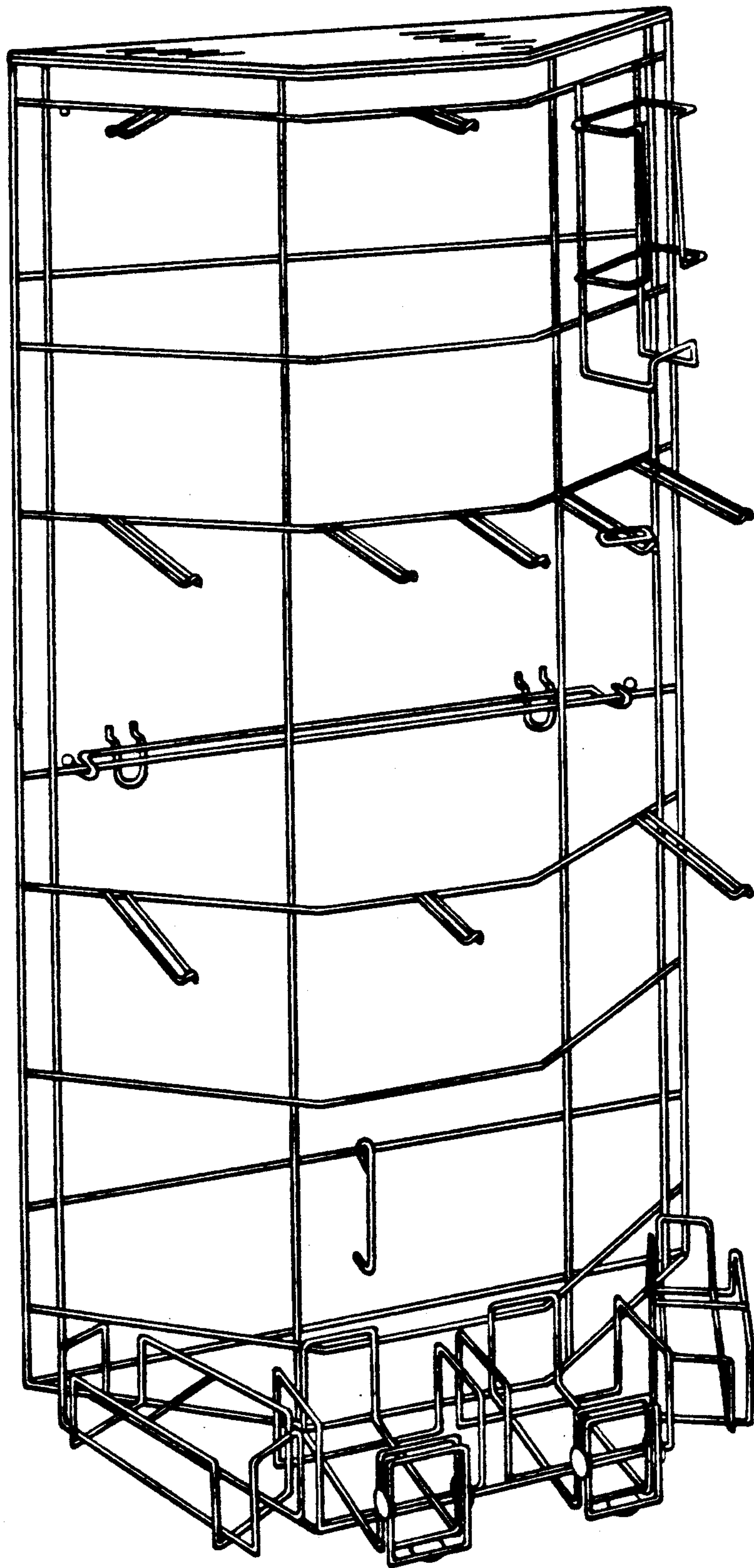


FIG. 1

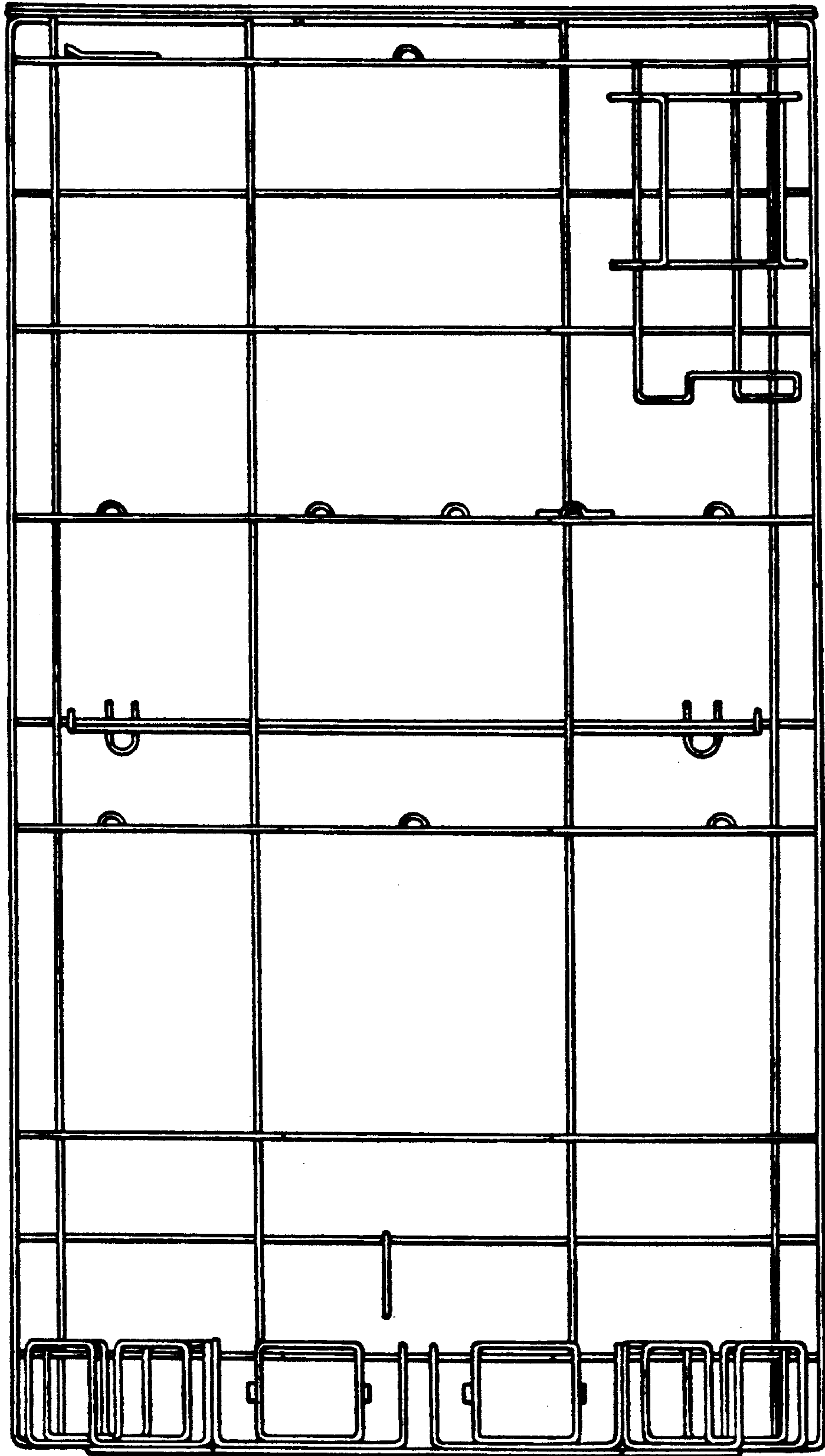


FIG. 2

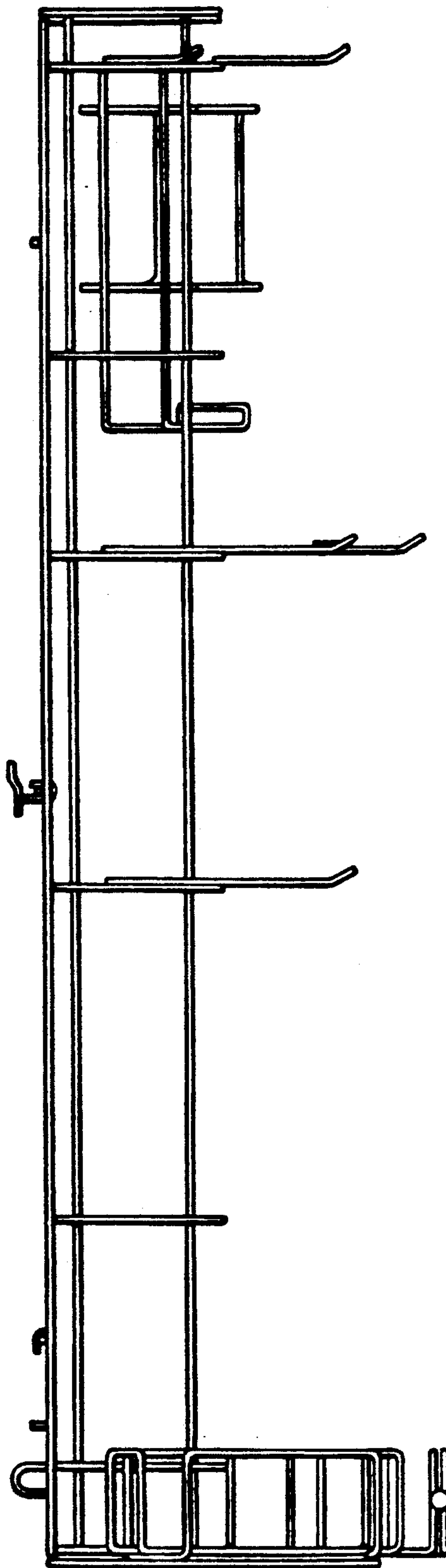


FIG. 3

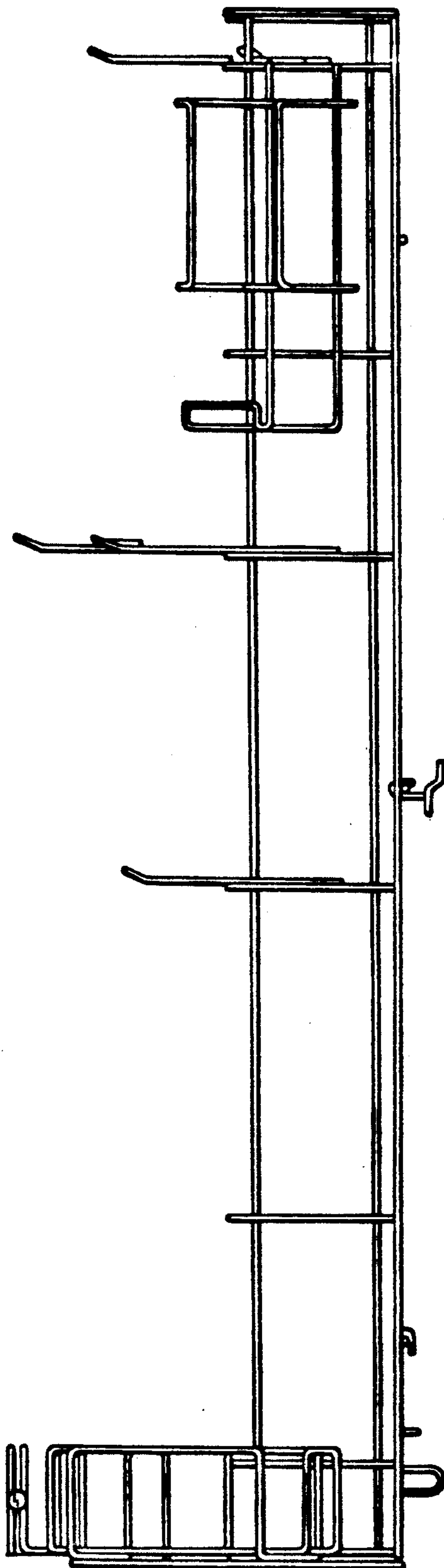


FIG. 4

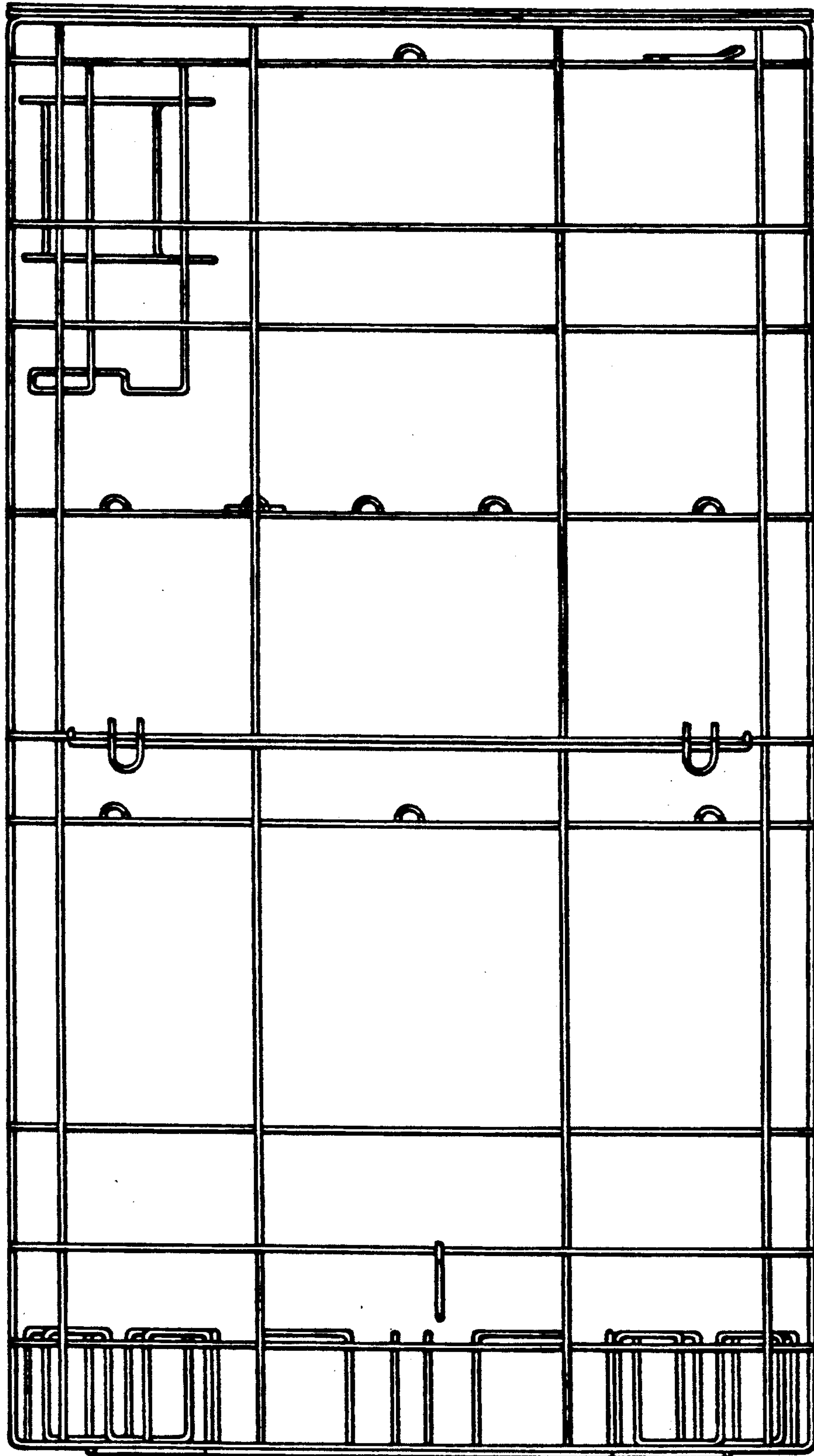


FIG. 5

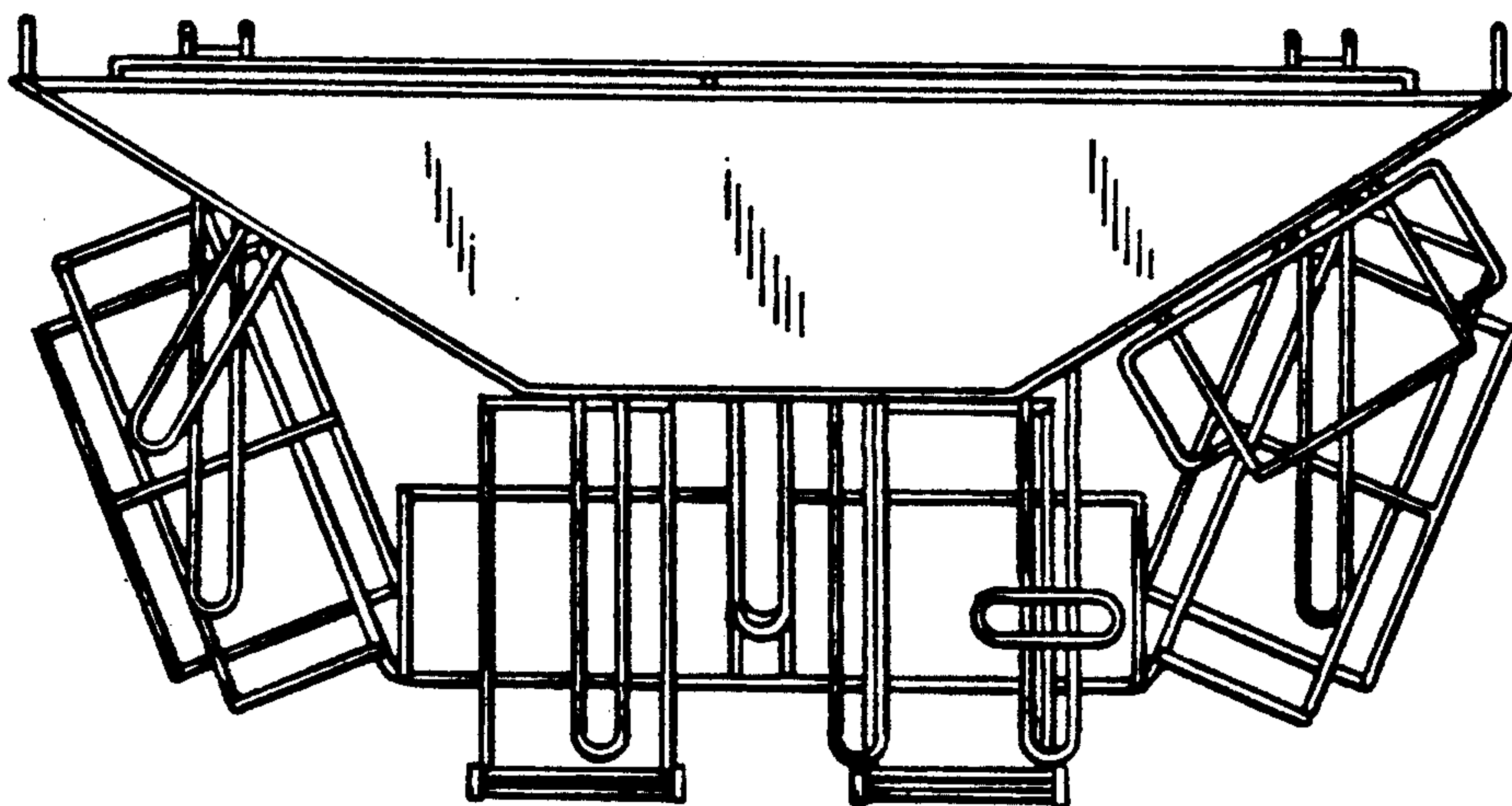


FIG. 6

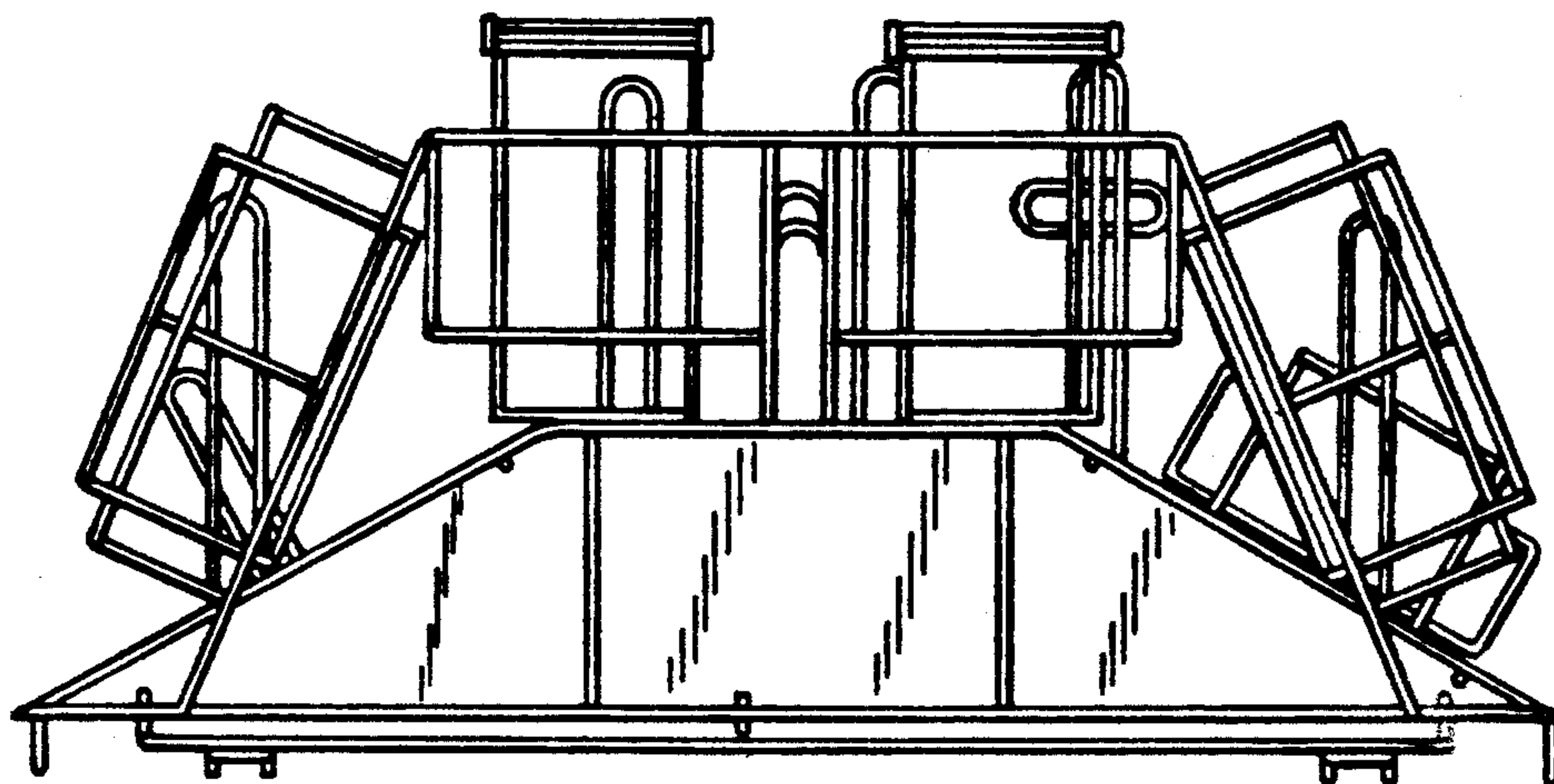


FIG. 7

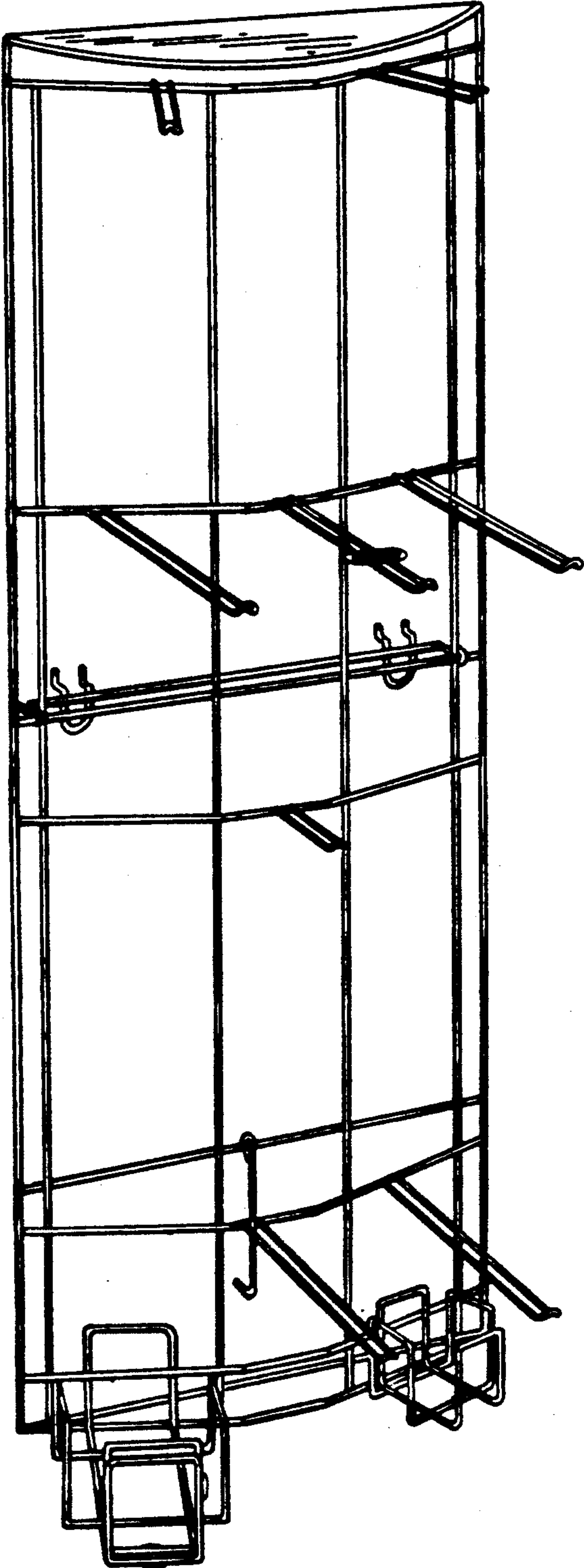


FIG. 8

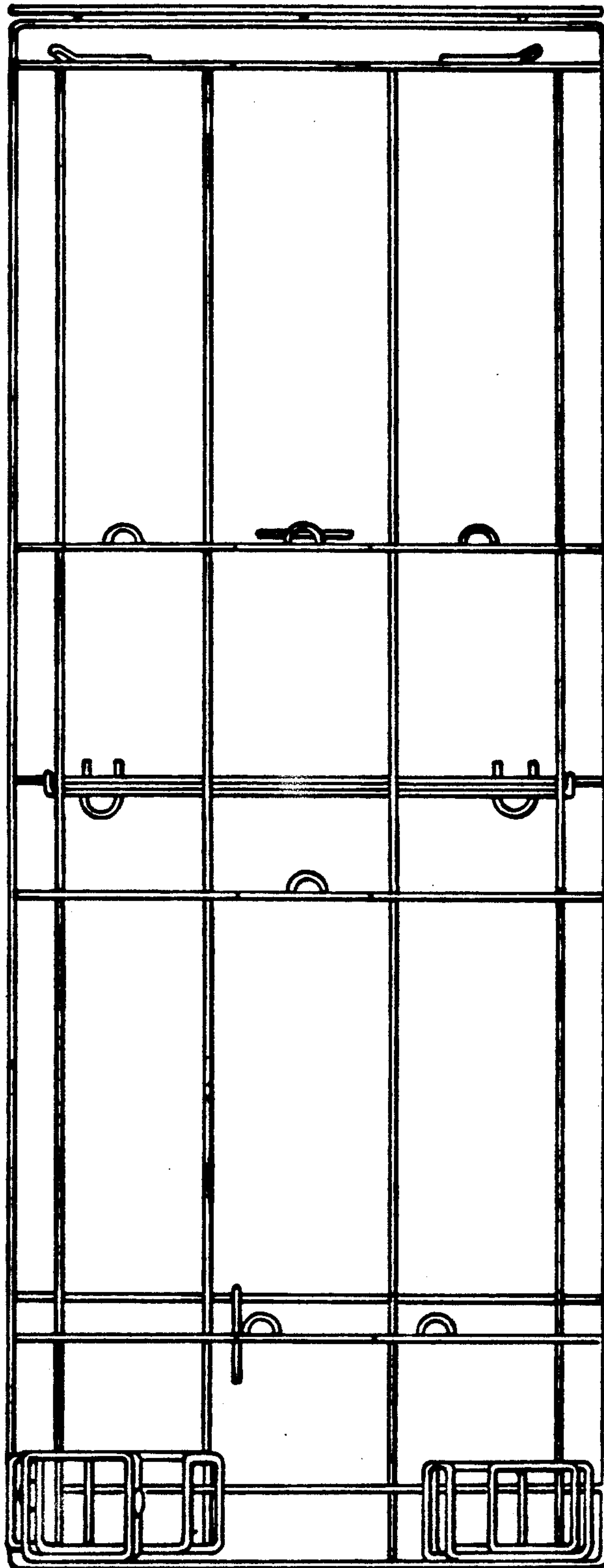


FIG. 9

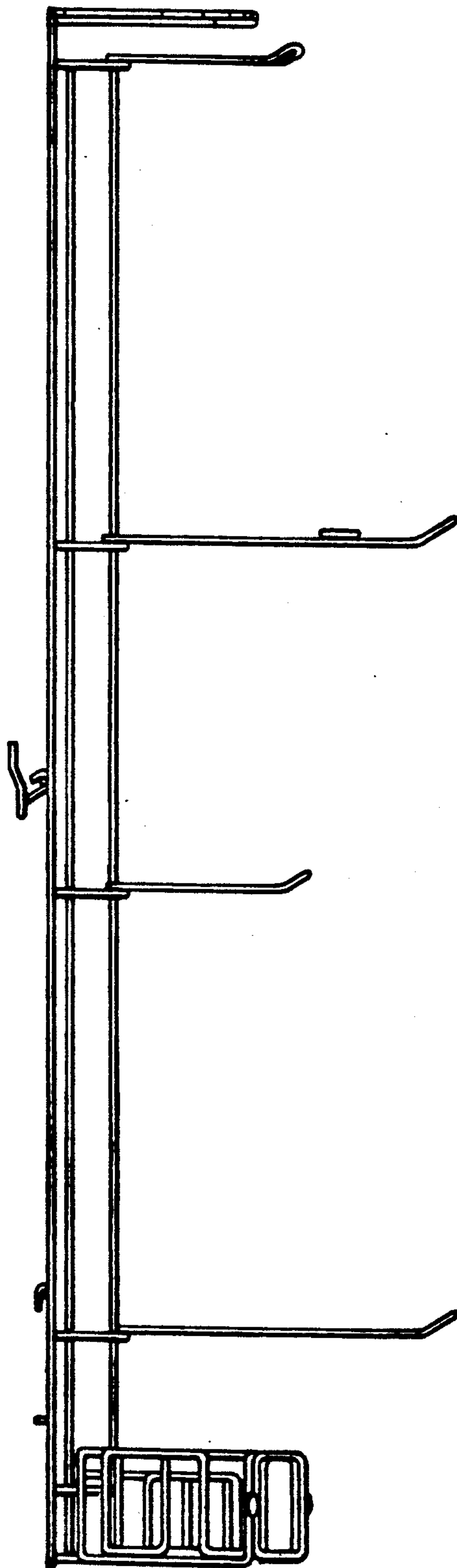


FIG. 10

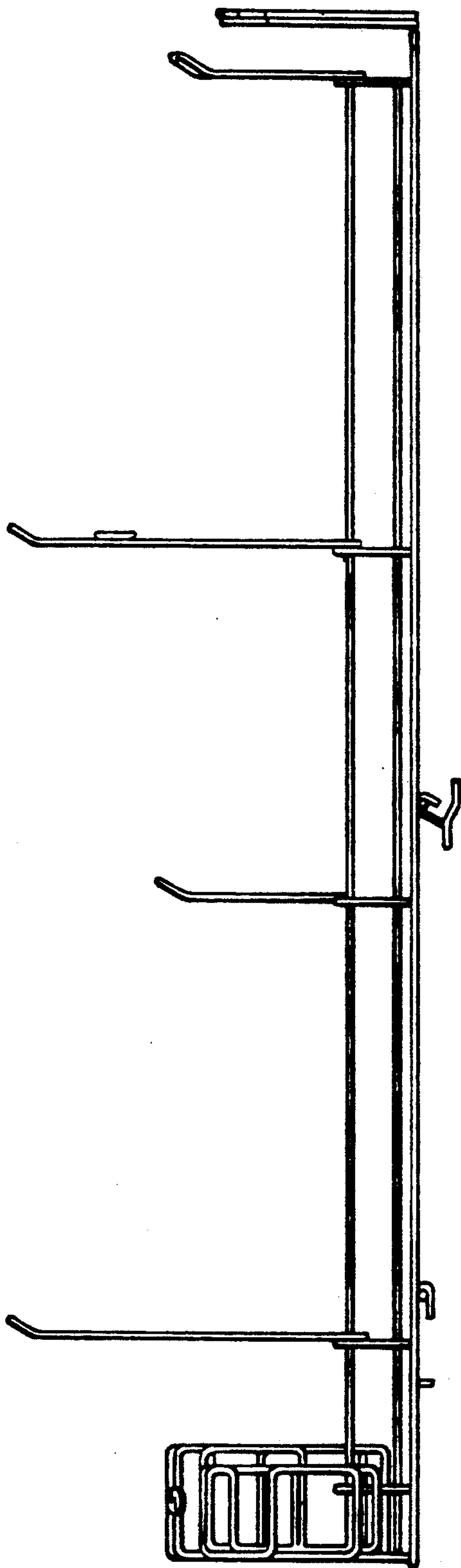


FIG. 11

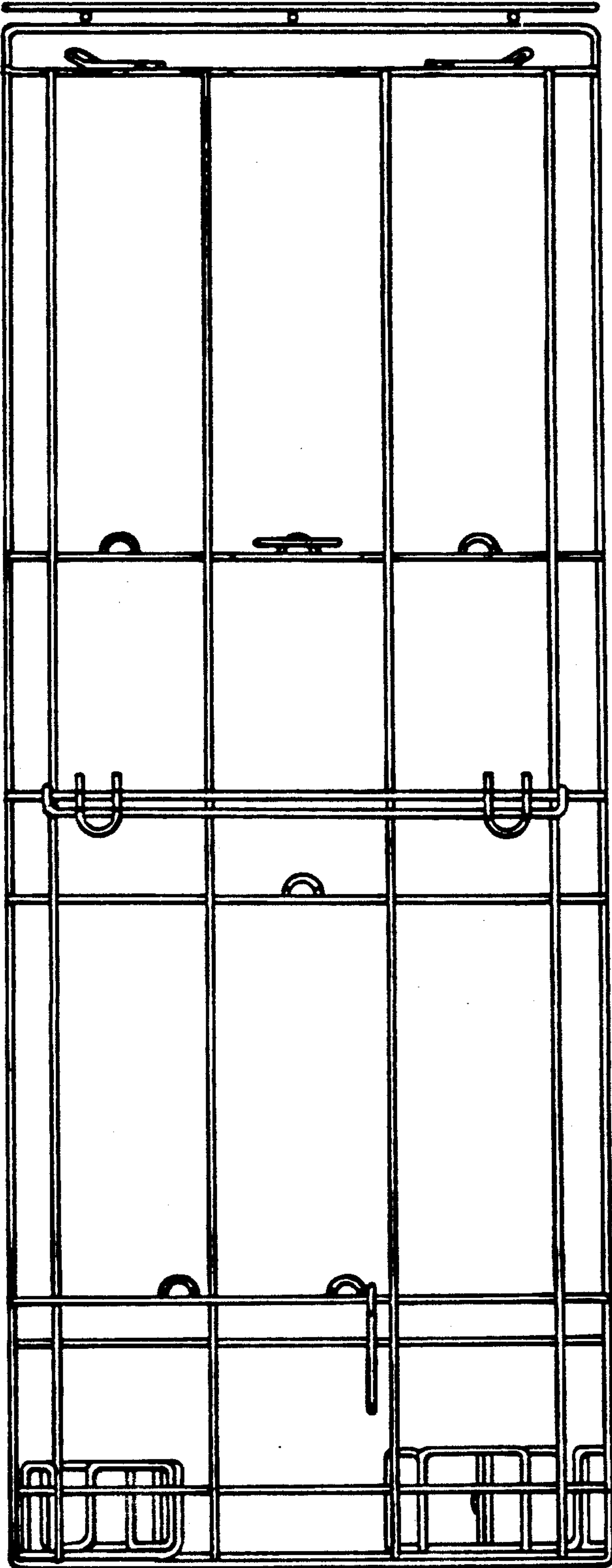


FIG. 12

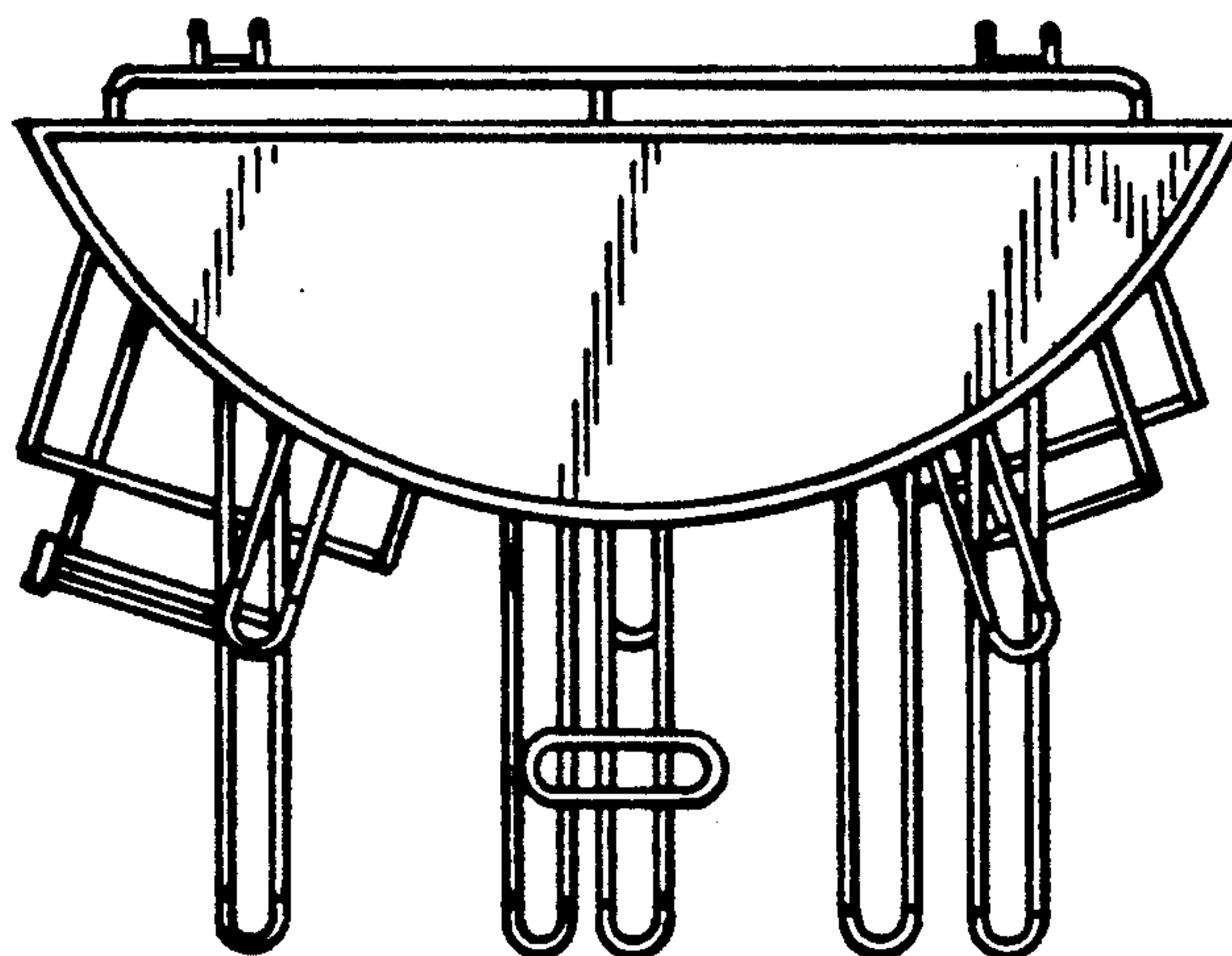


FIG. 13

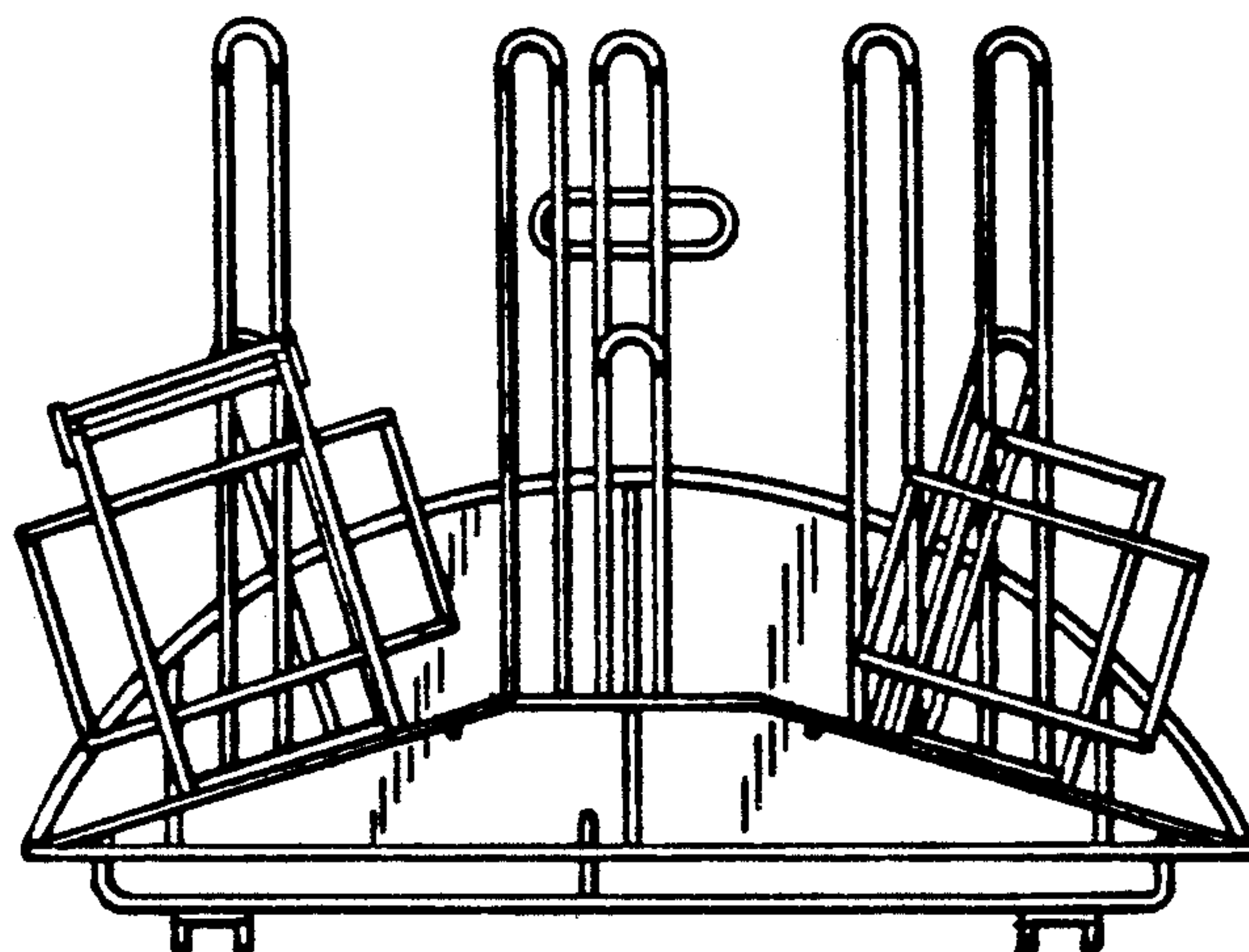


FIG. 14